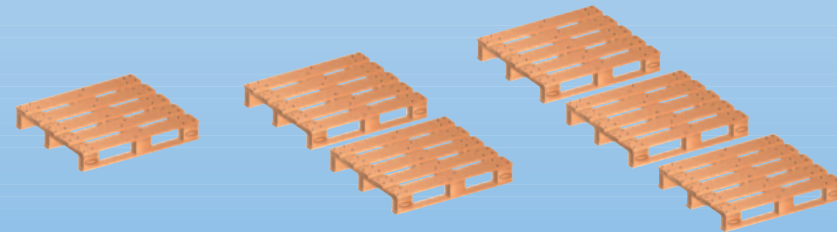
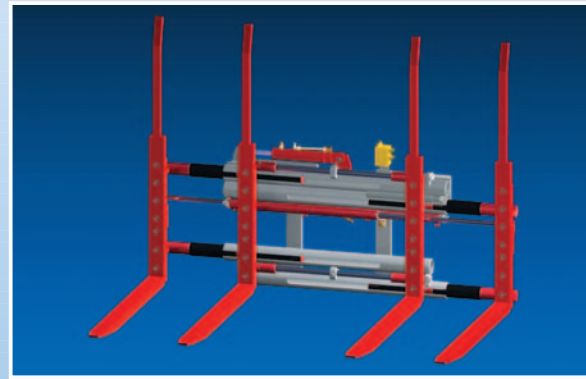
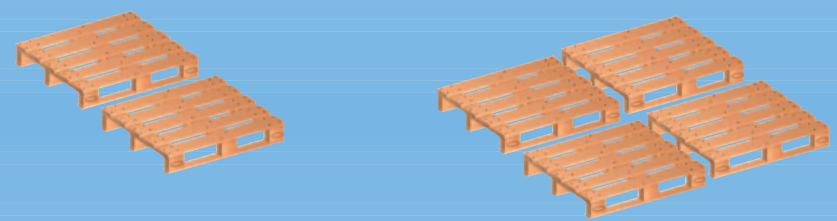
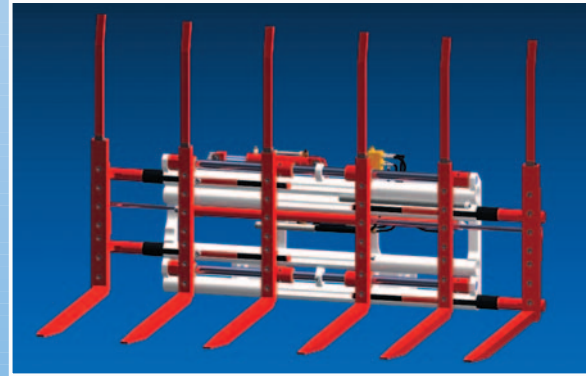




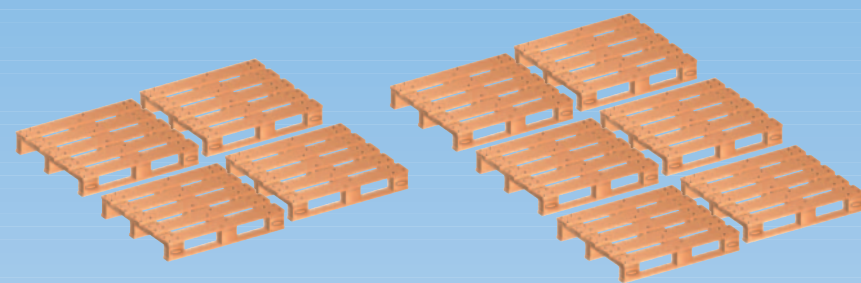
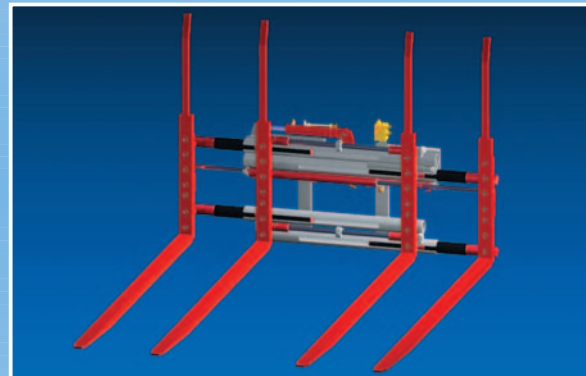
Type DPK for 1-2 pallets



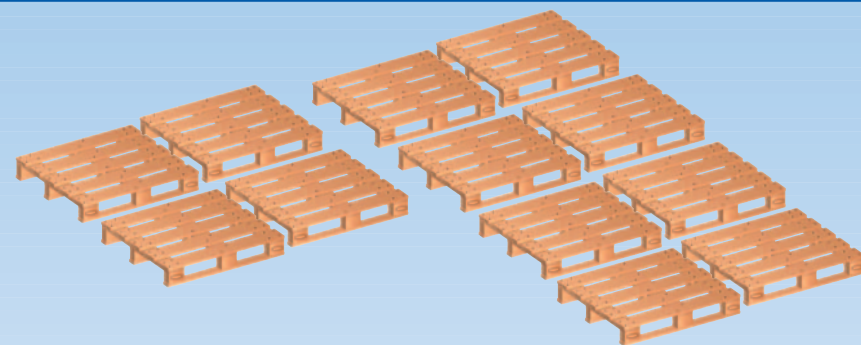
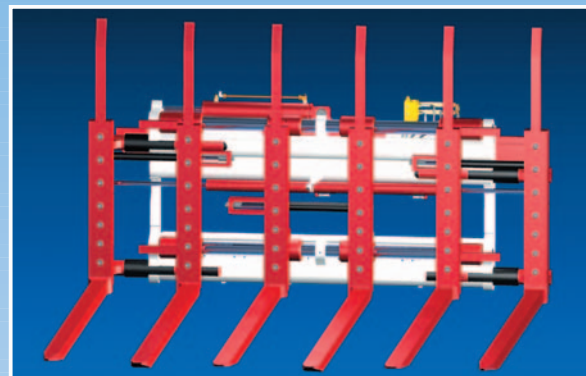
Type DRPK for 1-2-3 pallets



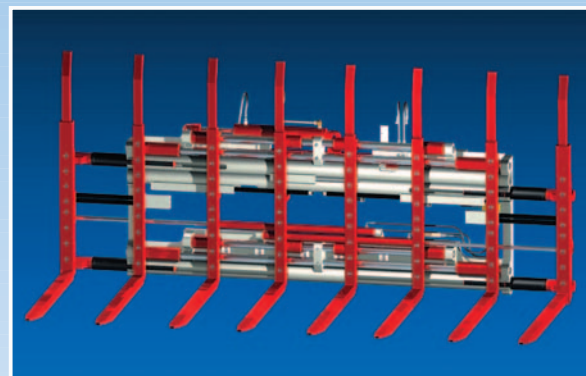
Type DPK for 2-4 pallets



Type SPK for 4-6 pallets



Type VPK for 4-6-8 pallets



## Durwen Service - your backup!



Durwen Production facilities



Durwen Production facilities



... well prepared to support you



Quick and reliable spare parts supply ...

## DURWEN SUPPORT WORLDWIDE



- Made in Germany
- Broad product range
- Worldwide support network
- Worldwide shipping



More than 60 years experience

Durwen Maschinenbau GmbH  
August-Horch-Straße 5  
D-56637 Plaidt - Germany

Phone: +49 26 32-7000-0  
Fax: +49 26 32-7 27 15

export@durwen.de  
www.durwen.de



your partner



More than 60 years experience

# Durwen Multiple Pallet Handlers

INNOVATIVE – VERSATILE - DURABLE



DPK\_65\_04\_2014 - Cover Image: © Christoph Popsch, Bonn

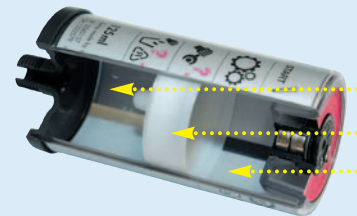
## Double fork positioner DPK

Optional available: „automatic lubrication“

Long and unplanned downtimes are lost profit...  
A good reason for Durwen ServicePlus Technology.



lubricant container with indication window



how does it work?:  
lubricant  
piston  
gas drive



quality connection to access point



adjustable drive unit, from stop to 12 months



easy to adjust and to check



ecological !:  
container can be refilled!

hard chromed guides gives better bearing life

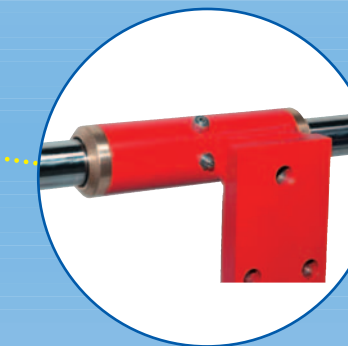
fast exchangeable by means of many bolted connections

forks are equalised by high quality hydraulics

to your choice:  
solid backrest for heavy works  
or standard:  
high visibility backrest



forks forged and tempered with additional wear zone for maximum service life



Standard: capsuled bearings on inner forks keep the bar guide clean

compact design gives excellent visibility



Optional available with „automatic lubrication“ (see left column)



As few components as possible.  
As robust as possible.  
As easy to maintain as possible.  
As flexible and durable as possible.  
Giving our customers considerable advantages in cost efficiency.

**DSP-Technology** is the Durwen ServicePlus performance that gives maximum utilisation with a minimum of maintenance and repair cost. DSP-Technology allows quick and easy parts replacement by means of bolted modular key components.

DSP-Technology means:  
▶ many common parts  
▶ reduced maintenance costs

- ▶ wear parts with a first rate service life
- ▶ excellent product service life
- ▶ extended maintenance intervals
- ▶ reduced maintenance work
- ▶ maximum efficiency

The Durwen ServicePlus package is based upon decades of Expertise - Know How that benefits customers because DSP-Technology is extra profit without extra costs.

DSP-Technology means short, managed maintenance intervals and reasonably priced replacement spare parts.

**DSP-Technology is enhanced profit technology.**



More than 60 years experience