

Fair-Play

A TRANS·LUX® COMPANY

**OUTDOOR CLOCKS
INSTRUCTION MANUAL**

REVISION DATE: 9-21-09

PART#: 98-0023-02

Fair-Play

A TRANS·LUX® COMPANY

SERVICE & CUSTOMER INFORMATION

CUSTOMER MUST HAVE PART NUMBER WHEN ORDERING ITEMS THROUGH THE SERVICE DEPARTMENT.

IF FURTHER HELP IS NEEDED CONTACT A FAIR-PLAY SERVICE REP IN YOUR FAIR-PLAY DEALER ORGANIZATION OR PHONE THE FAIR-PLAY HELP DESK AT (800) 462-2716.

TO AID YOU IN YOUR DISCUSSIONS WITH SERVICE REPS, WE SUGGEST THAT YOU RECORD THE FOLLOWING:

MODEL NUMBER: _____

FAIR-PLAY SALES ORDER NUMBER: _____

(THIS NUMBER IS FOUND IN THE UPPER RIGHT HAND CORNER OF THE PACKING SLIP AND INVOICE.)

INSTALLATION DATE: _____

WARRANTY: A COPY OF THE **FIVE-YEAR LIMITED WARRANTY** IS ENCLOSED.

FAIR-PLAY SCOREBOARDS

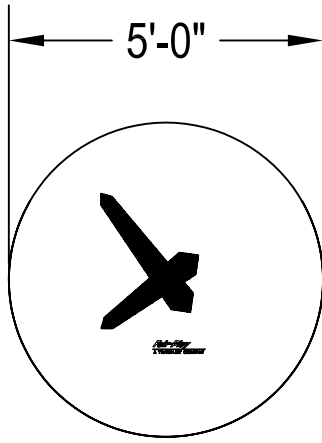
DES MOINES, IOWA

INSTRUCTION DRAWING LIST

OUTDOOR CLOCKS

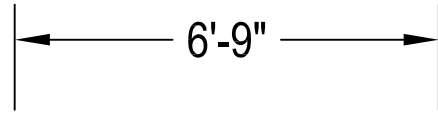
TABLE OF CONTENTS

DESCRIPTION	DRAWING NUMBER
OUTDOOR CLOCKS FACE VIEWS.....	01-0015-01 01-0015-02
GROUNDING INSTRUCTIONS.....	E-6-4923
COLUMNS AND FOOTINGS CHARTS.....	98-0029-01
CHART FOR OUTDOOR CLOCK DETAILS	
OUTDOOR HANGING SYSTEMS.....	01-0008-02
TROUBLE SHOOTING FOR OUTDOOR SCOREBOARDS.....	01-0008-03
WARRANTY	

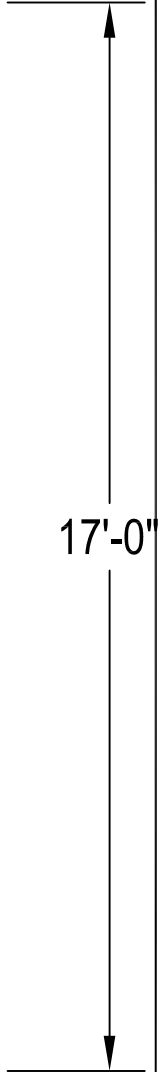


CL-2000

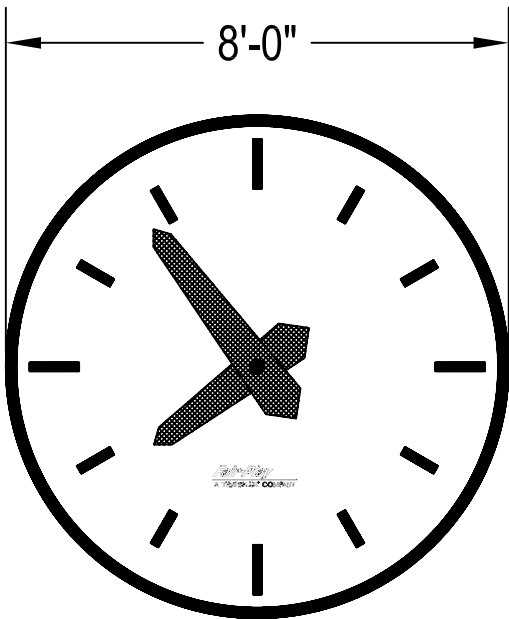
5'-0" DIAMETER, 10.25" DEEP
ANALOG CLOCK
2.5"H LOGO



ADVERTISING
PANEL

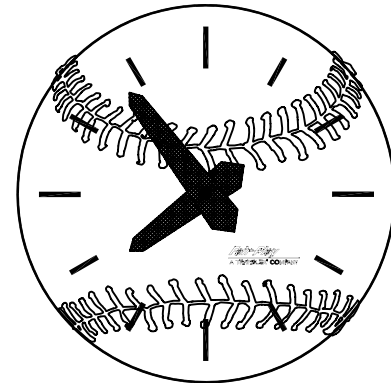


17'-0"



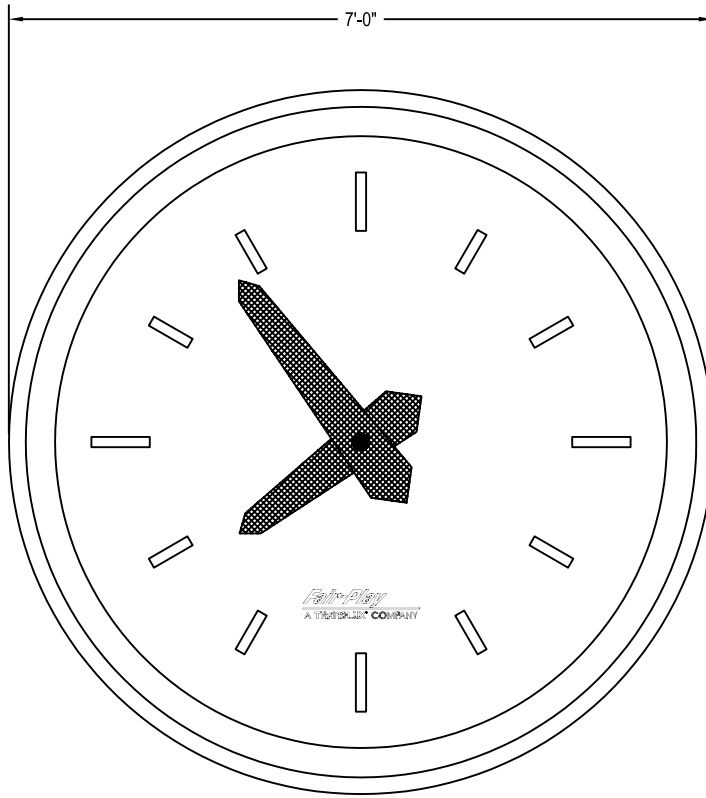
CL-H046

8'-0" DIAMETER, 10.25" DEEP
TIME OF DAY CLOCK
4"H LOGO



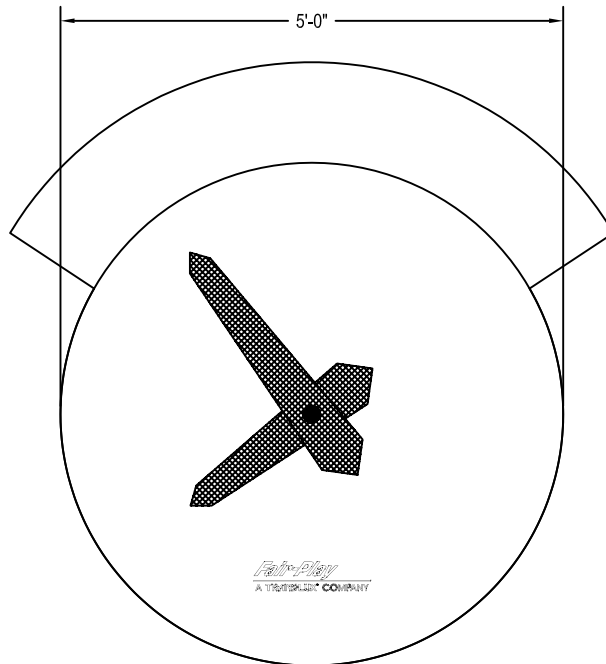
CL-G227

6'-9"L X 17'-0"H X 15"D, FD
CLOCK WITH SIGN
3.375"H LOGO



CL-H042

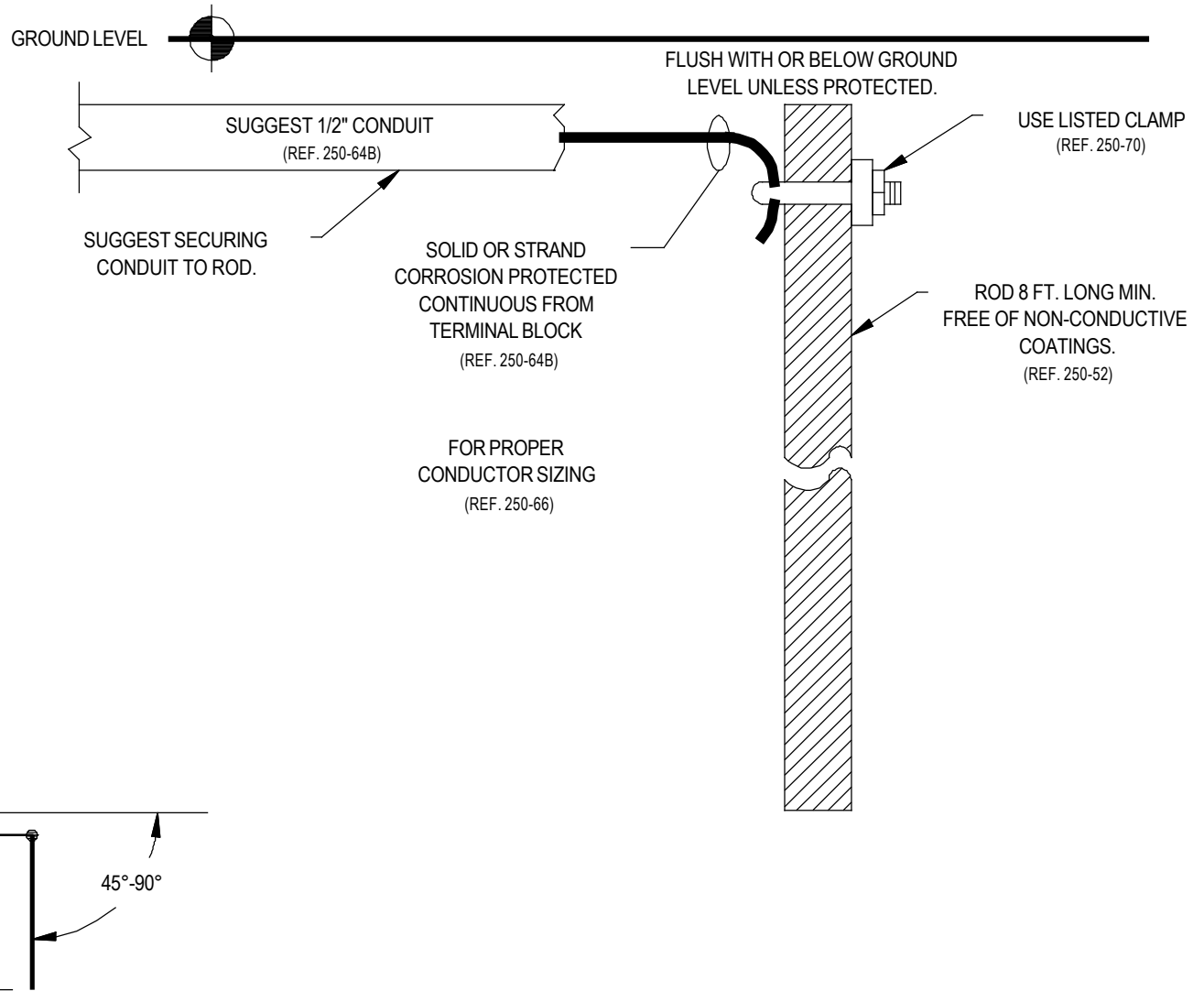
7'-0" DIAMETER, 10.25" DEEP
TIME OF DAY CLOCK
3.5"H LOGO



CL-1050

5'-0" DIAMETER, 10.25" DEEP
TIME OF DAY CLOCK
3.5"H LOGO

NOTE: ALL REFERENCES ARE TO THE NATIONAL ELECTRICAL CODE, 1999 EDITION.



TRANS·LUX
Fair-Play

1700 DELAWARE AVE.
DES MOINES, IA 50317

THIS DOCUMENT CONTAINS FAIR-PLAY PROPRIETARY INFORMATION. ANY DISCLOSURE, USE OR DUPLICATION OF THE DOCUMENT OR OF ANY INFORMATION CONTAINED THEREIN FOR OTHER THAN THE SPECIFIC PURPOSE FOR WHICH IT WAS DISCLOSED IS EXPRESSLY PROHIBITED, EXCEPT AS MAY BE OTHERWISE AGREED TO IN WRITING

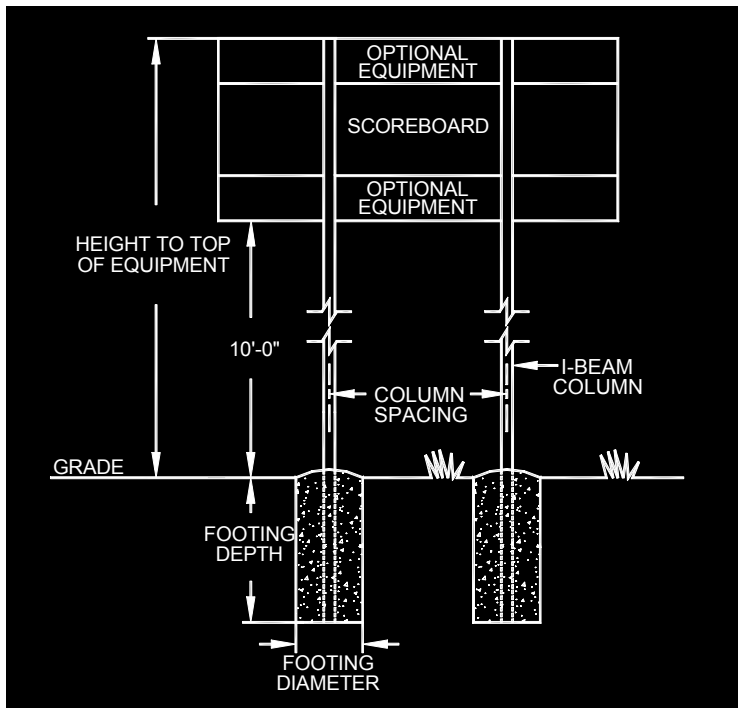
TITLE
GROUNDING INSTRUCTIONS
FOR TYP. OUTDOOR SCBD
AS PER N.E.C. ARTICLE 250

DRAWN BY
DLS
DATE
11-15-95
SCALE
NONE

MODEL:
A
DWG. NO.
E-6-4923

A	UPDATED TITLE BLOCK	9-06-02	DLS
1	UPDATED CODE INFORMATION FROM 1999 EDITION	05-19-99	BEW
REV.#	CHANGE	DATE	BY

COLUMNS and FOOTINGS



- Notes: Read thoroughly before selecting columns & footings.
- Reference chart on back side for columns and footings.
- The column length equals all component heights + 10'-0" (above grade) + footing depth. See item "A" below if installing a top mounted pendant sign.
- This chart does not support 2-sided installations.
- **Columns and footings are selected for locating scoreboard & components 10'-0" above grade. Wind load: 30psf (80 mph). Soil: average with allowable stresses of 2500 psf.**
- **Design should be altered for different soil conditions, clearance, or local codes.**
- **If your scoreboard size is not listed check with your local Fair-Play representative or seek the services of a local Engineer. This chart does not support equipment with end signs.**
- Reference your installation Manual for back view hanger details and proper column spacing.

"A" When calculating column length, do not include any top mounted Pendant sign models. These signs fasten to the edge of the scoreboard and do not require columns.

- *While Fair-Play believes the instructions contained herein are accurate and correct, in light of varying soil and other conditions, Fair-Play does not warrant the accuracy or correctness of such instructions and there are no warranties, expressed or implied including but not limited to any warranties of merchantability or fitness for a particular purpose.*
- *In no event shall Fair-Play be liable to dealer or its customer for any indirect, special or consequential damages or lost profits arising out of or related to this sale or the performance or breach thereof even if Fair-Play has been advised of the possibility thereof. Fair-Play's liability to dealer, if any, in connection with this sale shall in no event exceed the total amount paid by dealer for the scoreboard & sign equipment furnished by Fair-Play.*

COLUMNS and FOOTINGS CHART

Length of Scoreboard	8'	8'-6"	9'	10'	12'	14'	16'	18'	20'	24'	27'	32'	36'	45'
# of Columns Spacing	2 4'-0"	2 4'-3"	2 4'-0"	2 5'-0"	2 6'-0"	2 8'-0"	2 8'-0"	see installation	2 10'-0"	2 12'-0"	2 13'-6"	3 10'-6"	4 9'-0"	5 9'-0"
Height from grade to top of equipment														
13-14 ft	W6 X 9 2'-0" dia 4'-6" deep	W6 X 9 2'-0" dia 4'-6" deep	W6 X 9 2'-0" dia 4'-6" deep	W6 X 9 2'-0" dia 5'-0" deep	W6 X 9 2'-0" dia 5'-0" deep	W8 X 10 2'-6" dia 5'-0" deep	W10 X 12 2'-6" dia 5'-0" deep	W10 X 12 2'-6" dia 5'-6" deep	W8 X 13 2'-6" dia 5'-6" deep	W8 X 13 2'-6" dia 6'-0" deep	W8 X 15 2'-6" dia 6'-6" deep	W8 X 13 2'-6" dia 6'-0" deep	W10 X 13 2'-6" dia 6'-0" deep	W10 X 13 2'-6" dia 6'-0" deep
15-16 ft	W8 X 10 2'-6" dia 5'-0" deep	W8 X 10 2'-6" dia 5'-0" deep	W10 X 12 2'-6" dia 5'-0" deep	W8 X 13 2'-6" dia 5'-0" deep	W8 X 13 2'-6" dia 5'-6" deep	W10 X 15 2'-6" dia 6'-0" deep	W10 X 15 2'-6" dia 6'-0" deep	W10 X 17 2'-6" dia 6'-6" deep	W10 X 17 2'-6" dia 6'-6" deep	W10 X 19 2'-6" dia 7'-0" deep	W10 X 19 2'-6" dia 7'-6" deep	W8 X 18 2'-6" dia 7'-0" deep	W8 X 15 2'-6" dia 6'-6" deep	W8 X 15 2'-6" dia 6'-6" deep
17-18 ft	W8 X 13 2'-6" dia 5'-6" deep	W10 X 15 2'-6" dia 5'-6" deep	W8 X 15 2'-6" dia 5'-6" deep	W12 X 16 2'-6" dia 6'-0" deep	W8 X 15 2'-6" dia 6'-0" deep	W10 X 17 2'-6" dia 6'-6" deep	W12 X 19 2'-6" dia 7'-0" deep	W10 X 19 2'-6" dia 7'-0" deep	W8 X 21 2'-6" dia 7'-6" deep	W10 X 2 2'-6" dia 8'-0" deep	W10 X 22 2'-6" dia 8'-6" deep	W8 X 21 2'-6" dia 7'-6" deep	W10 X 19 2'-6" dia 7'-0" deep	W10 X 19 2'-6" dia 7'-0" deep
19-20 ft	W8 X 15 2'-6" dia 6'-0" deep	W10 X 17 2'-6" dia 6'-0" deep	W10 X 17 2'-6" dia 6'-0" deep	W12 X 19 2'-6" dia 6'-6" deep	W10 X 19 2'-6" dia 7'-0" deep	W8 X 21 2'-6" dia 7'-6" deep	W12 X 22 2'-6" dia 7'-6" deep	W10 X 22 2'-6" dia 8'-0" deep	W10 X 22 2'-6" dia 8'-6" deep	W10 X 30 2'-6" dia 9'-0" deep	W10 X 26 2'-6" dia 9'-0" deep	W10 X 26 2'-6" dia 8'-6" deep	W10 X 22 2'-6" dia 8'-0" deep	W10 X 22 2'-6" dia 8'-0" deep
21-22 ft	W10 X 19 2'-6" dia 6'-6" deep	W8 X 18 2'-6" dia 6'-6" deep	W10 X 19 2'-6" dia 6'-6" deep	W12 X 22 2'-6" dia 7'-0" deep	W10 X 22 2'-6" dia 7'-6" deep	W10 X 22 2'-6" dia 8'-0" deep	W12 X 26 3'-0" dia 7'-6" deep	W10 X 30 2'-6" dia 8'-6" deep	W10 X 26 2'-6" dia 9'-0" deep	W10 X 39 2'-6" dia 9'-6" deep	W12 X 30 3'-0" dia 9'-6" deep	W12 X 30 3'-0" dia 8'-6" deep	W12 X 26 3'-0" dia 8'-0" deep	W12 X 26 3'-0" dia 8'-0" deep
23-24 ft	W10 X 22 2'-6" dia 7'-0" deep	W10 X 22 2'-6" dia 7'-0" deep	W10 X 22 2'-6" dia 7'-0" deep	W10 X 22 2'-6" dia 7'-6" deep	W10 X 26 2'-6" dia 8'-0" deep	W14 X 30 3'-0" dia 8'-0" deep	W12 X 26 3'-0" dia 8'-6" deep	W12 X 30 3'-0" dia 8'-6" deep	W12 X 30 3'-0" dia 9'-0" deep	W10 X 45 2'-6" dia 10'-6" deep	W12 X 35 3'-0" dia 10'-0" deep	W12 X 35 3'-0" dia 9'-0" deep	W10 X 30 2'-6" dia 9'-6" deep	W10 X 30 2'-6" dia 9'-6" deep
25-26 ft	W10 X 22 2'-6" dia 7'-6" deep	W10 X 22 2'-6" dia 7'-6" deep	W10 X 26 2'-6" dia 7'-6" deep	W10 X 26 2'-6" dia 8'-0" deep	W10 X 26 2'-6" dia 8'-6" deep	W14 X 34 3'-0" dia 8'-6" deep	W12 X 30 3'-0" dia 9'-0" deep	W12 X 35 3'-0" dia 9'-0" deep	W12 X 35 3'-0" dia 9'-6" deep	W12 X 50 3'-0" dia 10'-0" deep	W16 X 45 3'-6" dia 10'-0" deep	W12 X 40 3'-0" dia 10'-0" deep	W12 X 35 3'-0" dia 9'-0" deep	W12 X 35 3'-0" dia 9'-0" deep
27-28 ft	W10 X 26 2'-6" dia 8'-0" deep	W10 X 26 2'-6" dia 8'-0" deep	W10 X 26 2'-6" dia 8'-0" deep	W12 X 30 3'-0" dia 8'-0" deep	W12 X 30 3'-0" dia 8'-6" deep	W14 X 38 3'-0" dia 9'-0" deep	W12 X 35 3'-0" dia 9'-6" deep	W12 X 40 3'-0" dia 10'-0" deep	W12 X 40 3'-0" dia 10'-0" deep	W12 X 53 3'-0" dia 11'-0" deep	W18 X 50 3'-6" dia 10'-6" deep	W14 X 43 3'-0" dia 10'-6" deep	W12 X 35 3'-0" dia 10'-0" deep	W12 X 35 3'-0" dia 10'-0" deep
29-30 ft	W10 X 30 2'-6" dia 8'-0" deep	W10 X 30 2'-6" dia 8'-6" deep	W10 X 30 2'-6" dia 8'-6" deep	W12 X 35 3'-0" dia 8'-6" deep	W12 X 35 3'-0" dia 9'-0" deep	W14 X 38 3'-0" dia 9'-6" deep	W12 X 40 3'-0" dia 10'-0" deep	W12 X 50 3'-0" dia 10'-6" deep	W14 X 48 3'-0" dia 10'-6" deep	W14 X 53 3'-6" dia 11'-0" deep	W18 X 55 3'-6" dia 11'-6" deep	W16 X 50 3'-6" dia 10'-6" deep	W14 X 43 3'-0" dia 10'-6" deep	W14 X 43 3'-0" dia 10'-6" deep
31-32 ft	W12 X 30 3'-0" dia 8'-0" deep	W12 X 30 3'-0" dia 8'-0" deep	W12 X 35 3'-0" dia 8'-6" deep	W14 X 38 3'-0" dia 8'-6" deep	W14 X 38 3'-0" dia 9'-6" deep	W14 X 43 3'-0" dia 10'-0" deep	W12 X 45 3'-0" dia 10'-6" deep	W14 X 53 3'-6" dia 10'-0" deep	W14 X 48 3'-0" dia 11'-0" deep	W14 X 61 3'-6" dia 11'-6" deep	W18 X 60 3'-6" dia 12'-0" deep	W18 X 55 3'-6" dia 11'-0" deep	W14 X 43 3'-0" dia 11'-0" deep	W14 X 43 3'-0" dia 11'-0" deep
33-34 ft	W14 X 34 3'-0" dia 8'-6" deep	W12 X 35 3'-0" dia 8'-6" deep	W12 X 35 3'-0" dia 9'-0" deep	W14 X 38 3'-0" dia 9'-0" deep	W12 X 45 3'-0" dia 9'-6" deep	W14 X 43 3'-0" dia 10'-6" deep	W12 X 53 3'-0" dia 11'-0" deep	W14 X 53 3'-6" dia 10'-6" deep	W14 X 53 3'-6" dia 11'-0" deep	W14 X 61 3'-6" dia 12'-0" deep	W18 X 65 3'-6" dia 12'-6" deep	W18 X 60 3'-6" dia 11'-6" deep	W14 X 48 3'-0" dia 11'-0" deep	W14 X 48 3'-0" dia 11'-0" deep

OUTDOOR CLOCKS DATA CHART

	WIRELESS OPTIONAL	SIZE			EST. WT. (LBS.)	POWER		CONTROL	HANGER	
		"A"	"B"	DEPTH		VAC	TOTAL WATTS		DIM CTR.	
		LENGTH	HEIGHT						TYPE	TO CTR.
CL-1050		5'-0" DIA.	5'-0" DIA.	10.25"	135	1	10	1	1	5
CL-2000		5'-0" DIA.	5'-0" DIA.	10.25"	125	1	10	1	1	4
CL-G227		6'-9"	17'-0"	15"	600	1	80	1	2	1
CL-H042		7'-0" DIA.	7'-0" DIA.	10.25"	250	1	10	1	1	2
CL-H046		8'-0" DIA.	8'-0" DIA.	10.25"	300	1	10	1	1	3
SN-1374		7'-0" DIA.	4'-2 7/16"	7"	73	1	10	1		

CONTROLS: 1= E080 HANDSWITCH IS USED TO RUN CLOCK. POWER-VAC: 1=120 VAC, 60 Hz, 2 WIRE

HANGER TYPE: 1= "L" BRACKET HANGER SPACING: 1= W=6'-2", X=8'-6"
2= HAT BRACKET 2= W=3'-6", X=3'-6" 5/8"

* CONTROL CABLE TYPICAL=C0550, 1-PAIR, 22 GAUGE, ((1) PER CLOCK) 3= W=4'-0", X=4'-6 5/8"
4= W=2'-8", X=3'-2 5/8"
5= W=2'-8", X=3'-9 5/8"

CAUTION: WATER INGRESS

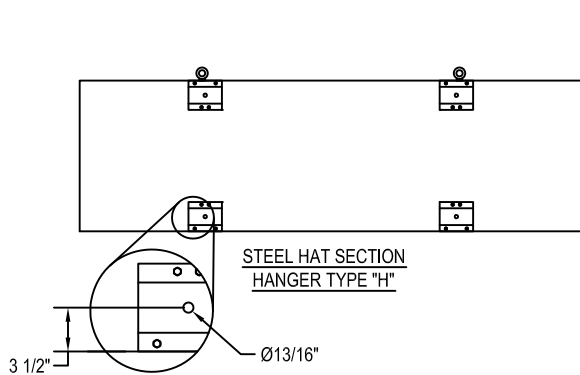
NO ADDITIONAL PENETRATIONS MAY BE CREATED IN THE PRODUCT UNLESS THEY ARE SEALED PER NEMA 4 STANDARD. ALL FIELD PENETRATIONS MUST BE TESTED USING A STREAM OF WATER POURED FROM A CONTAINER LOCATED NOT LESS THAN 6" AWAY HORIZONTALLY. WARRANTY WILL BE VOID IF THIS TESTING IS NOT COMPLETED DURING INSTALLATION, OR IF THERE IS WATER INGRESS FROM FIELD MODIFICATIONS. ANY CABINETS LOCATED ABOVE THE PRODUCT MUST NOT ALLOW WATER TO BUILD UP AND THEN FLOW THROUGH CONDUITS INTO THE PRODUCT. PENETRATIONS BETWEEN PRODUCT AND HIGHER CABINETS MUST BE SEALED BETWEEN THE CABINET INTERNAL SPACES USING WATER TIGHT CABLE TO CONDUIT SEALS. HOLES REMAINING FROM EYE BOLT REMOVAL MUST BE FILLED, SEALED AND TESTED.

VENTILATION

INSTALL PRODUCT SO THAT AIR FLOW IS NOT RESTRICTED. CUSTOMER'S STRUCTURE MUST ALLOW FOR THE FREE FLOW OF OUTSIDE AMBIENT AIR TO THE PRODUCT, WITHOUT RECIRCULATION OF AIR. WARRANTY WILL BE VOID IF COMPONENTS FAIL DUE TO AIR FLOW RESTRICTIONS.

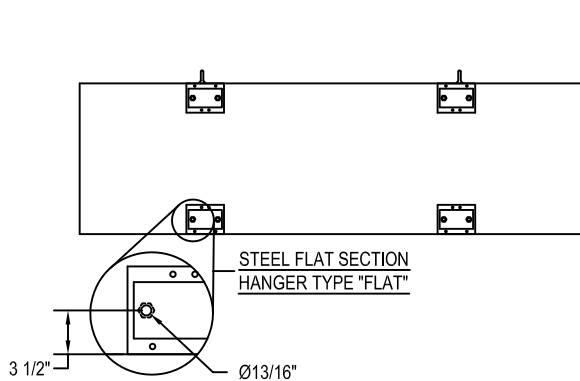
OUTDOOR HANGING SYSTEMS

(FULL DEPTH CABINETS)



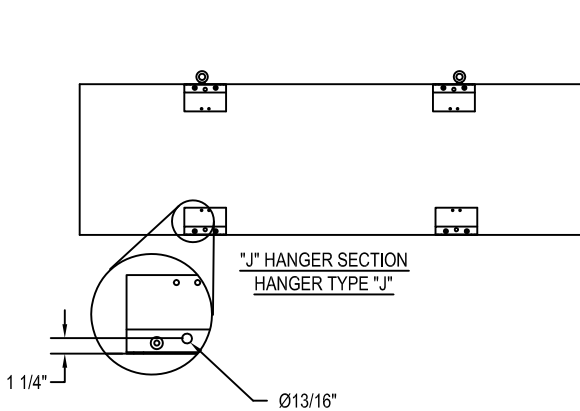
SEE NOTE
EYE-BOLT

NOTE:
IF U-BOLTS OR EYE-BOLTS ARE REMOVED
THE HOLES MUST BE PLUGGED WITH THE
PROPER SIZE HARDWARE (NOT PROVIDED
BY FAIR-PLAY). FAILURE TO DO SO WILL
VOID THE WARRANTY.



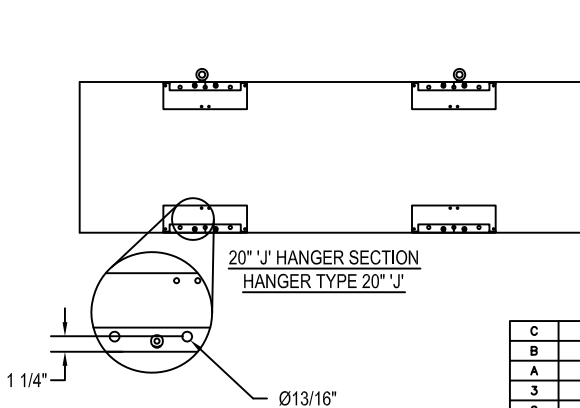
SEE NOTE
U-BOLT

NOTE:
IF U-BOLTS OR EYE-BOLTS ARE REMOVED
THE HOLES MUST BE PLUGGED WITH THE
PROPER SIZE HARDWARE (NOT PROVIDED
BY FAIR-PLAY). FAILURE TO DO SO WILL
VOID THE WARRANTY.



SEE NOTE
EYE-BOLT

NOTE:
IF U-BOLTS OR EYE-BOLTS ARE REMOVED
THE HOLES MUST BE PLUGGED WITH THE
PROPER SIZE HARDWARE (NOT PROVIDED
BY FAIR-PLAY). FAILURE TO DO SO WILL
VOID THE WARRANTY.



SEE NOTE
EYE-BOLT

NOTE:
IF U-BOLTS OR EYE-BOLTS ARE REMOVED
THE HOLES MUST BE PLUGGED WITH THE
PROPER SIZE HARDWARE (NOT PROVIDED
BY FAIR-PLAY). FAILURE TO DO SO WILL
VOID THE WARRANTY.

C	ADDED J HANGERS, REMOVED L, Z, Z-ANGLE BRACKETS	06/03/09	RMS
B	ADD STANDARD Z-ANGLE	06/06/05	DMS
A	ADD HOLE SIZE TO ALL HANGERS	03/02/04	DMS
3	CHANGED Z-ANGLE DIMENSION TO 2 11/16"	09-26-01	BEW
2	ADDED FLAT HANGER DETAIL	07-18-01	BEW
1	UPDATED TO TRANS-LUX LOGO	01-02-01	BEW
ITEM	CHANGE	DATE	BY

TRANS·LUX®

TROUBLE SHOOTING OUTDOOR SCOREBOARDS

Problem:

Scoreboard does not light or function.

Solution:

- 1. Check scoreboard breaker.**
- 2. Make sure connectors on processors are seated properly.**
- 3. Check power at the scoreboard. If there is no power at the scoreboard, call an electrician.**

Random lights or LED's, scoreboard not functioning correctly.

- 1. Check to see if the controller is operating properly. Check power at the controller location. Check data cable plug and connectors.**
- 2. Plug the controller into the data in on the processor located in the scoreboard. If the scoreboard runs, you need to replace the data cable.**
- 3. Install spare processor, if this works send in old processor for repair.**
- 4. If the above steps don't work, send in the controller for repair.**

Miscellaneous lamps or LED's not lighting or staying lit all the time

- 1. If a complete digit is not working, check the connector on the processor.**
- 2. If a single lamp is not lighting, change it with a lamp of the same type & rating. If a single LED is not lighting, change the entire 3 x 3 pixel (PCA card). Replace with correct part number located on back of card.**
- 3. If lamps are staying lit, install spare processor or call authorized Fair-Play dealer.**

Fair-Play

A TRANS-LUX® COMPANY

**TRANS-LUX MIDWEST CORPORATION
d.b.a. Fair-Play Scoreboards**

LIMITED SCOREBOARD WARRANTY

Fair-Play provides a limited five-year warranty when its permanently mounted scoreboards and scoreboard controllers are operated and maintained according to the owner's instructions furnished with the equipment. Such limited warranty is two years for portable scoreboards. This warranty covers all electronic components, including LEDs, for five or two years as applicable from the date of invoice that prove to be defective in material or workmanship. Our #161 and #655-type indoor lamps are warranted on a ten-year factory exchange basis from the date of invoice.

Warranted for one year are mechanical control panel switches, connectors, horns and visual goal indicators. Wireless control components are warranted for two years. Wireless control devices even if not defective may not function reliably in certain environments or otherwise due to outside causes beyond Seller's control, including but not limited to cell phones or portable computers. In the event it is determined a wireless device during the ninety (90) day period following shipment does not function in accordance with its specification without repeated errors or is otherwise consistently unreliable, and Seller determines repair or replacement thereof is not likely to improve performance, at Purchaser's request, upon return to Seller postage prepaid in like new condition within such time period, Seller's sole obligation shall be to refund the entire purchase price of such device. Thereafter Seller's sole obligation shall be to repair or replace, other non-wireless defective components for the balance of the warranty period without responsibility or liability for claims for unreliable performance not due to defects. Batteries, battery packs and battery recharging equipment are warranted for thirty (30) days, except for defects arising from misuse, abuse, negligence or other exclusions set forth below. In no event will Fair-Play have any obligation for any damage caused by defective batteries, battery packs and battery recharging equipment. Also warranted for 30 days are outdoor portable scoreboard carts.

Fair-Play's sole obligation during the applicable warranty period is to repair or replace any defective items. Defective assemblies or components are to be returned postage prepaid to Fair-Play's service center, after obtaining a return authorization number, for repair or replacement at no cost to the owner during the applicable warranty period. Replacement parts may be either new or like-new. Return shipping costs after repair will be paid by Seller except for overnight, express or special shipping costs which shall be paid by Purchaser.

Excluded from this warranty are fuses, major components provided by other manufacturers including, but not limited to, computers, rotating signs, power distribution panels, disconnect switches and components of rear-illuminated or lighted signs. The other manufacturer's warranty will apply to such components. Also excluded from this warranty are electronic signs or message centers and related controls. These items are covered by their own specific warranty.

THIS WARRANTY IS IN LIEU OF ALL OTHER WARRANTIES OF SELLER, EXPRESS OR IMPLIED, AND, EXCEPT TO THE EXTENT HEREIN PROVIDED, SELLER DOES NOT MAKE ANY WARRANTY WHATSOEVER INCLUDING, WITHOUT LIMITATION, ANY WARRANTY OF MERCHANTABILITY OR FITNESS FOR ANY PARTICULAR USE OR PURPOSE.

Fair-Play shall not be liable for any incidental, special or consequential damages nor any other loss that may arise in connection with its warranted equipment or any claims under this warranty. (Individual states may have limitations on the length of implied warranties.)

This warranty does not cover shipping damages or problems which result from improper installation of your equipment. (Promptly inspect shipment for visible or concealed damages and report immediately to the delivering carrier.)

Under no circumstances shall this warranty apply if the warranted products have been subject to abuse, misuse, neglect, sabotage, acts of terrorists, negligence, accident, or any casualties or abnormal conditions, including without limitation fire, civil disorders, war, flood, lightning or acts of God. Nor does this warranty cover labor or damage resulting from, or problems caused by, any repair, alteration, modification, or adjustment of the warranted scoreboard(s) or components not performed by Fair-Play.

This warranty extends only to the original purchaser of the warranted products, and is not transferable. For information on extended warranties contact your Fair-Play dealer. In the event authorized Fair-Play dealers make extensions to or provide additional service for Fair-Play products, Fair-Play assumes no liability therefore other than the specific warranty set forth above in this Limited Warranty.

Fair-Play Scoreboards - A Division of Trans-Lux Midwest Corporation
For Service contact: Trans-Lux Repair Center, 110 Richards Avenue, Norwalk, CT 06854
Telephone: 800-462-2716 Fax: (203) 831-8827
Internet Address - www.fair-play.com

Effective 0518-04 © 2004, Fair-Play Scoreboards, All rights reserved.