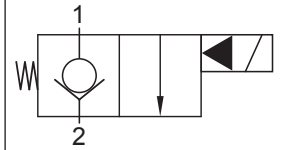




Up to 172 bar - 23 lpm

Symbol



Operation

This is a solenoid operated 2 way normally closed soft seat poppet valve which is typically used to lock a load in position. When energised the poppet opens and releases the load and allows flow to pass freely in both directions between 1 and 2. De-energised the valve allows free flow from 2 to 1.

A typical application for this valve is where a cylinder is required to float in the energised position and be locked in the de-energised position. The valve can also be used as a directional control and is specifically used in applications where low leakage is a requirement.

Manual override options available.

Features

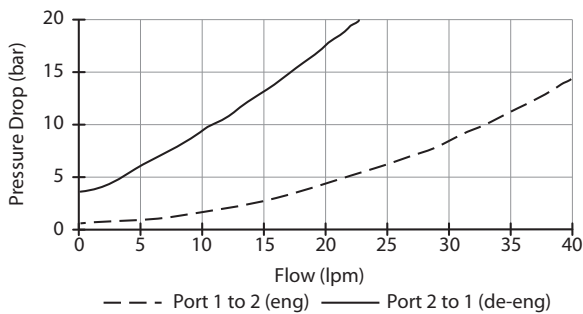
- Hardened parts for long life.
- Efficient wet-armature construction.
- Cartridges are voltage interchangeable.
- Manual override options.
- Industry common cavity.
- Soft Seat for ultra low leakage.
- Unitised, molded coil design.
- Continuous duty rated solenoid.
- Optional coil voltages and terminations.
- Optional "I" Coil: Weatherproof, Thermal, Shock, Immersion Safe.



Once shifted higher flow rates can be achieved. Consult chart.

Performance

32 cSt / 38°C.



Specifications

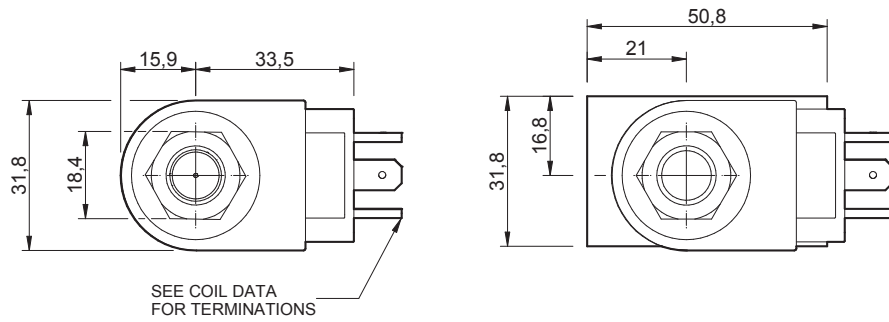
Nom. Flow (lpm)	23
Max. pressure (bar)	172
Internal Leakage (32 cSt)	Negligible
Hydraulic oil	General purpose hydraulic oil
Viscosity Range	3 to 640 cSt
Filtration	ISO 18/16/13
Operating temp.	-40 to 120°C
Voltage	DC / AC (see coil data page Coil-P)
Cartridge Torque	34 Nm
Coil Nut Torque	6 to 8 Nm (max.)
Cavity	PB08-2 (see cavity data page CAV-PB08-2)
Spare Seal Kit (Viton)	SK-DPBVHA
Weight - Cartridge only	0.08 kg
Weight - Cartridge + Coil	0.27 kg
Weight - Cartridge + Coil + Body	0.45 kg (alum) 0.78 kg (steel)

Energisation Chart

Solenoid	Flow Direction	
	1 → 2	2 → 1
De-energised	Load holding	Free flow
Energised	Free flow	Restricted flow

Dimensions

[mm]



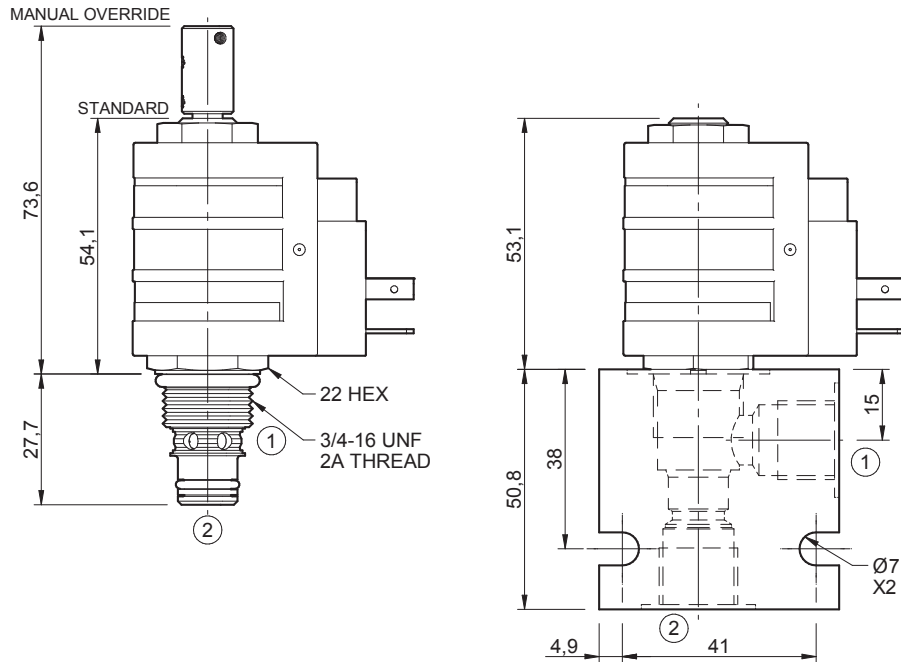
To Override

Detented Version
Pull & Twist

Non-Detented Version
Pull (spring return)

Coils can be fitted in any orientation.

Refer to data sheet **Coil-P** for coil options.



Ordering Code

D-PBS2F

**** ** * * ***

Options	Coil termination	Voltage	Port size (BSP)	No. of ports	Body material
00 - Nitrile	DL - Double lead	12 - 12 Vdc	A - 1/4"	2 - 2 ports	A - Aluminium
V0 - Viton	DS - Double spade	24 - 24 Vdc	B - 3/8"	Options - See page B-DPB	S - Steel
0M - Nitrile, overr., detent	HC - EN 175301-803*	48 - 48 Vdc	Options - See page B-DPB		
VM - Viton, overr., detent	CL - Conduit lead	25 - 24 Vac			
A0 - Nitrile, screen	'I' coils (12 & 24 volts only) weather/immersion proof (IP69)	11 - 110 Vac			
W0 - Viton, screen	IA - AMP superseal	23 - 250 Vac			
B1 - Nitrile, overr., non-detent	ID - Deutsch	Options - See page Coil-P			
V1 - Viton, overr., non-detent	IJ - AMP Jr. Timer				
B3 - Nitrile, screen, overr., non-detent	IM - Metripak				
V3 - Viton, screen, overr., non-detent	Options - See page Coil-P				
B4 - Nitrile, screen, overr., detent	Omit if coil is not required				
V4 - Viton, screen, overr., detent					

*Formerly DIN 43650 Hirschmann connector.