



# T&B<sup>®</sup> Cable Tray Go From Horizontal To Vertical

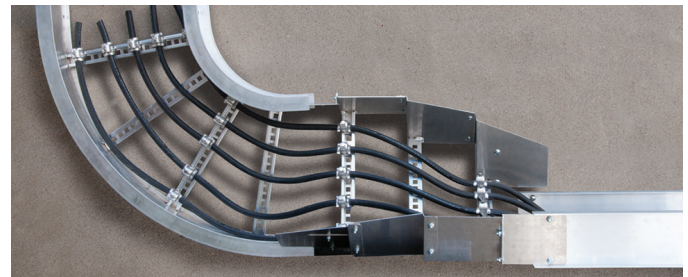
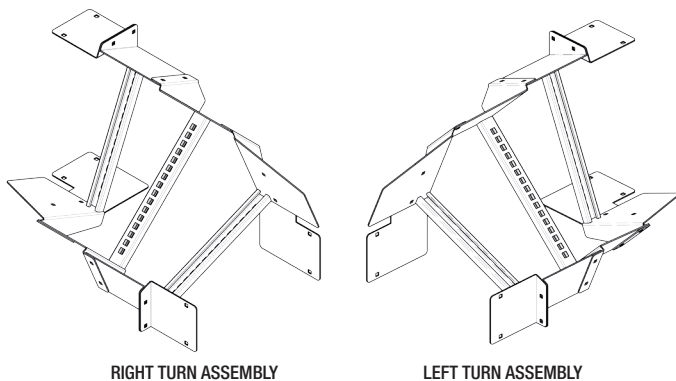
## Maximum Cable Protection, Minimum Space

Making transitions from horizontal to vertical cable tray runs has never been easier or more efficient.

The latest evolution in cable tray fittings, the Helix™ fitting assembly was developed specifically for use in confined areas and allows installers to transition from horizontal to vertical surfaces in less time, using significantly less space.

- Enables installation close to walls and other surfaces, eliminating need for distance
- Provides enhanced cable protection in confined spaces
- Secures cables within fitting for clean, organized cable runs

## Helix™ Fitting Assembly — Right or left configurations



- Ideally suited for confined spaces - no need to distance cable runs from wall to make transition
- Efficient cable protection in areas where conventional fittings will not fit
- Convenient right or left turn configurations
- Available in aluminum, pregalvanized steel and stainless steel; 12-inch and 24-inch widths, 6-inch siderails
- Delivered pre-assembled and ready to install; drastically reduces time spent configuring fittings on site
- BIM models available upon request

## Helix™ Cable Tray Fitting — Delivered ready to install

CATALOG #	DESCRIPTION	DIRECTION
<b>Aluminum</b>		
AUF612LHVR	6-inch siderail, 12-inches wide	right turn
AUF612LHVL	6-inch siderail, 12-inches wide	left turn
AUF624LHVR	6-inch siderail, 24-inches wide	right turn
AUF624LHVL	6-inch siderail, 24-inches wide	left turn
<b>Pregalvanized Steel</b>		
SPF612LHVR	6-inch siderail, 12-inches wide	right turn
SPF612LHVL	6-inch siderail, 12-inches wide	left turn
SPF624LHVR	6-inch siderail, 24-inches wide	right turn
SPF624LHVL	6-inch siderail, 24-inches wide	left turn
<b>Stainless Steel</b>		
SSF612LHVR	6-inch siderail, 12-inches wide	right turn
SSF612LHVL	6-inch siderail, 12-inches wide	left turn
SSF624LHVR	6-inch siderail, 24-inches wide	right turn
SSF624LHVL	6-inch siderail, 24-inches wide	left turn

Supports should be positioned within 24 inches (600 mm) of each Helix™ fitting extremity.

Please ask your Thomas & Betts sales representative for a complete catalog of quality Thomas & Betts electrical products or visit us at [www.tnb.com](http://www.tnb.com). For customer service, call 1-800-816-7809. For technical questions, call 1-888-862-3289.

© 2015 Thomas & Betts Corporation. All rights reserved. Printed in the U.S.A.  
01/15/1M GM7300

Thomas & Betts Corporation  
Electrical Division  
8155 T&B Boulevard  
Memphis, TN 38125  
901-252-5000

[www.tnb.com](http://www.tnb.com)

**Thomas & Betts**  
A Member of the ABB Group