

ZONDA O

EXTERNAL

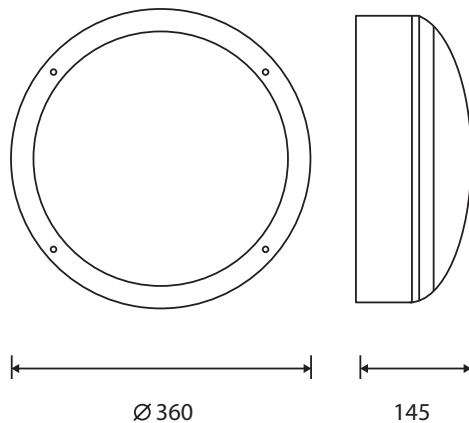


IP65 corrosion and vandal resistant luminaire. Die Cast Aluminium housing complete with front cover ring. Epoxy polyester UV stabilised powder coated finish. Fitted with Stainless Steel screws. UV stabilised impact resistant polycarbonate opal lumax diffuser, complete with Silicone rubber gasket.

TECHNICAL SPECIFICATION

Mains Supply:	230-240V AC 50/60Hz
Light Source:	LED 99 x Samsung OM561B
Colour Temperature:	3000/4000K
Colour Rendering:	CRI>80
Ambient Temperature:	-20°C...+50°C
Life Time:	50,000 Hours
Loads Outputs:	350mA, 8.6W, 1670 Lumens, 194 Lm/W 500mA, 12.5W, 2300 Lumens, 184 Lm/W 700mA, 21.9W, 3192 Lumens, 145 Lm/W

LINE DRAWING



OPTIONS

Fitting:	Light Source:	Wattage:	Colour:
ZONDA O	LED	8.6/12.5/21.9W	WH/SL/AG
Options:			
Colour Options:			
Black (BL), Silver (SL), Anthracite Grey (AG) RAL Available			
Function Options:			
3HR Emergency (M3), Microwave Sensor (MS), PhotoCell (PC) 1-10V Dimming (1-10V) DALI Addressable (DA), Self Test (ST)			

ZONDA H

AMENITY

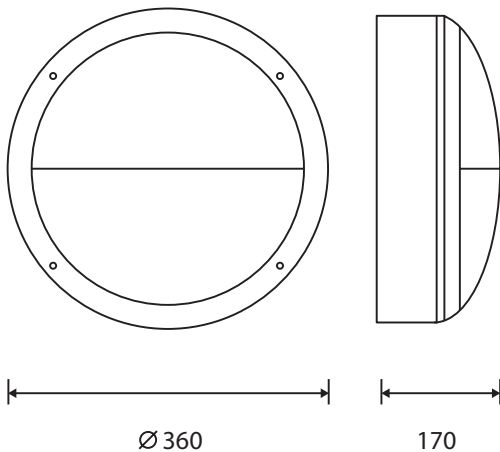


IP65 corrosion and vandal resistant luminaire. Die Cast Aluminium housing complete with front hood cover ring. Epoxy polyester UV stabilised powder coated finish. Fitted with Stainless Steel screws. UV stabilised impact resistant polycarbonate opal lumax diffuser, complete with Silicone rubber gasket.

TECHNICAL SPECIFICATION

Mains Supply:	230-240V AC 50/60Hz
Light Source:	LED 99 x Samsung OM561B
Colour Temperature:	3000/4000K
Colour Rendering:	CRI>80
Ambient Temperature:	-20°C...+50°C
Life Time:	50,000 Hours
Loads Outputs:	350mA, 8.6W, 1670 Lumens, 194 Lm/W 500mA, 12.5W, 2300 Lumens, 184 Lm/W 700mA, 21.9W, 3192 Lumens, 145 Lm/W

LINE DRAWING



OPTIONS

Fitting:	Light Source:	Wattage:	Colour:
ZONDA H	LED	8.6/12.5/21.9W	BL/SL/AG
Options:			
Colour Options:			
Black (BL), Silver (SL), Anthracite Grey (AG) RAL Available			
Function Options:			
3HR Emergency (M3), Microwave Sensor (MS), PhotoCell (PC) 1-10V Dimming (1-10V) DALI Addressable (DA), Self Test (ST)			

ZONDA B

EXTERNAL

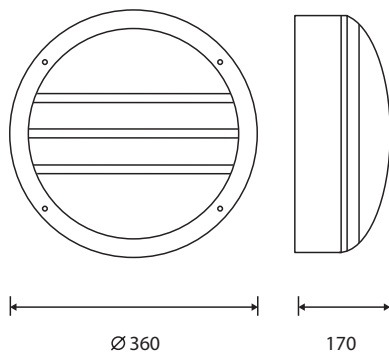


IP65 corrosion and vandal resistant luminaire. Die Cast Aluminium housing complete with front cover ring. Epoxy polyester UV stabilised powder coated finish. Fitted with Stainless Steel screws. UV stabilised impact resistant polycarbonate opal lumax diffuser, complete with Silicone rubber gasket.

TECHNICAL SPECIFICATION

Mains Supply:	230-240V AC 50/60Hz
Light Source:	LED 99 x Samsung OM561B
Colour Temperature:	3000/4000K
Colour Rendering:	CRI>80
Ambient Temperature:	-20°C...+50°C
Life Time:	50,000 Hours
Loads Outputs:	350mA, 8.6W, 1670 Lumens, 194 Lm/W 500mA, 12.5W, 2300 Lumens, 184 Lm/W 700mA, 21.9W, 3192 Lumens, 145 Lm/W

LINE DRAWING



OPTIONS

Fitting:	Light Source:	Wattage:	Colour:
ZONDA B	LED	8.6/12.5/21.9W	BL/SL/AG
Options:			
Colour Options:			
Black (BL), Silver (SL), Anthracite Grey (AG) RAL Available			
Function Options:			
3HR Emergency (M3), Microwave Sensor (MS), PhotoCell (PC) 1-10V Dimming (1-10V) DALI Addressable (DA), Self Test (ST)			

VIPER O

EXTERNAL

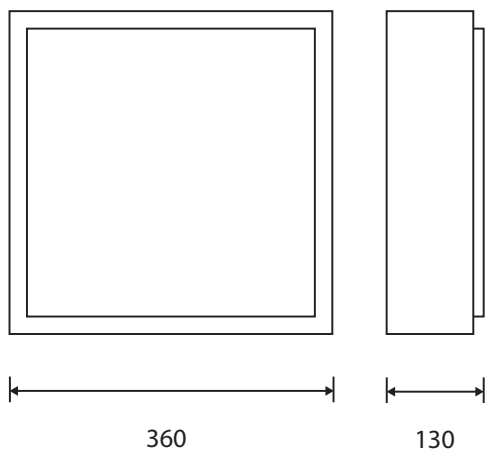


IP65 corrosion and vandal resistant luminaire. Die Cast Square Aluminium housing complete with front half hood. Epoxy polyester UV stabilised powder coated finish. Fitted with Stainless Steel screws. UV stabilised impact resistant polycarbonate opal diffuser, complete with silicone rubber gasket.

TECHNICAL SPECIFICATION

Mains Supply:	230-240V AC 50/60Hz
Light Source:	LED 99 x Samsung OM561B
Colour Temperature:	3000/4000K
Colour Rendering:	CRI>80
Ambient Temperature:	-20°C...+50°C
Life Time:	50,000 Hours
Loads Outputs:	350mA, 8.6W, 1670 Lumens, 194 Lm/W 500mA, 12.5W, 2300 Lumens, 184 Lm/W 700mA, 21.9W, 3192 Lumens, 145 Lm/W

LINE DRAWING



OPTIONS

Fitting:	Light Source:	Wattage:	Colour:
VIPER O	LED	8.6/12.5/21.9W	BL/SL
Options:			
Colour Options:			
Black (BL), Silver (SL) RAL Available			
Function Options:			
3HR Emergency (M3), Microwave Sensor (MS), PhotoCell (PC) 1-10V Dimming (1-10V) DALI Addressable (DA), Self Test (ST)			

VIPER H

EXTERNAL

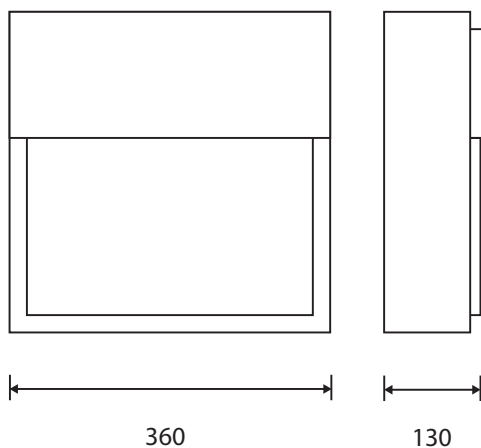


IP65 corrosion and vandal resistant luminaire. Die Cast Square Aluminium housing complete with front half hood. Epoxy polyester UV stabilised powder coated finish. Fitted with Stainless Steel screws. UV stabilised impact resistant polycarbonate opal diffuser, complete with silicone rubber gasket.

TECHNICAL SPECIFICATION

Mains Supply:	230-240V AC 50/60Hz
Light Source:	LED 99 x Samsung OM561B
Colour Temperature:	3000/4000K
Colour Rendering:	CRI>80
Ambient Temperature:	-20°C...+50°C
Life Time:	50,000 Hours
Loads Outputs:	350mA, 8.6W, 1670 Lumens, 194 Lm/W 500mA, 12.5W, 2300 Lumens, 184 Lm/W 700mA, 21.9W, 3192 Lumens, 145 Lm/W

LINE DRAWING



OPTIONS

Fitting:	Light Source:	Wattage:	Colour:
VIPER H	LED	8.6/12.5/21.9W	BL/SL
Options:			
Colour Options:			
Black (BL), Silver (SL) RAL Available			
Function Options:			
3HR Emergency (M3), Microwave Sensor (MS), PhotoCell (PC) 1-10V Dimming (1-10V) DALI Addressable (DA), Self Test (ST)			

VIPER CB

EXTERNAL

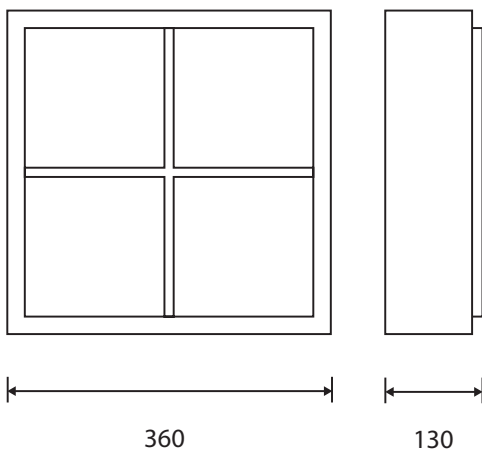


IP65 corrosion and vandal resistant luminaire. Die Cast Square Aluminium housing complete with cross bar front cover. Epoxy polyester UV stabilised powder coated finish. Fitted with Stainless Steel screws. UV stabilised impact resistant polycarbonate opal diffuser, complete with silicone rubber gasket.

TECHNICAL SPECIFICATION

Mains Supply:	230-240V AC 50/60Hz
Light Source:	LED 99 x Samsung OM561B
Colour Temperature:	3000/4000K
Colour Rendering:	CRI>80
Ambient Temperature:	-20°C...+50°C
Life Time:	50,000 Hours
Loads Outputs:	350mA, 8.6W, 1670 Lumens, 194 Lm/W 500mA, 12.5W, 2300 Lumens, 184 Lm/W 700mA, 21.9W, 3192 Lumens, 145 Lm/W

LINE DRAWING



OPTIONS

Fitting:	Light Source:	Wattage:	Colour:
VIPER CB	LED	8.6/12.5/21.9W	BL/SL
Options:			
Colour Options:			
Black (BL), Silver (SL) RAL Available			
Function Options:			
3HR Emergency (M3), Microwave Sensor (MS), PhotoCell (PC) 1-10V Dimming (1-10V) DALI Addressable (DA), Self Test (ST)			

YAMO

EXTERNAL

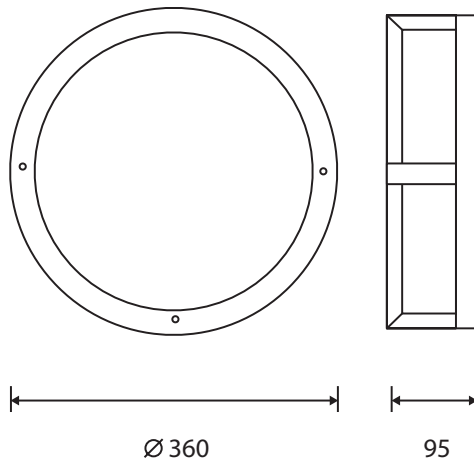


IP65 corrosion and vandal resistant luminaire. Die Cast Aluminium housing complete with front ring and Halo effect from the 360 deg. side cut outs. Epoxy polyester UV stabilised powder coated finish. Fitted with Stainless Steel screws. UV stabilised impact resistant one piece polycarbonate opal diffuser, complete with Silicone rubber gasket.

TECHNICAL SPECIFICATION

Mains Supply:	230-240V AC 50/60Hz
Light Source:	LED 99 x Samsung OM561B
Colour Temperature:	3000/4000K
Colour Rendering:	CRI>80
Ambient Temperature:	-20°C...+50°C
Life Time:	50,000 Hours
Loads Outputs:	350mA, 8.6W, 1670 Lumens, 194 Lm/W 500mA, 12.5W, 2300 Lumens, 184 Lm/W 700mA, 21.9W, 3192 Lumens, 145 Lm/W

LINE DRAWING



OPTIONS

Fitting:	Light Source:	Wattage:	Colour:
YAMO	LED	8.6/12.5/21.9W	BL/SL/AG
Options:			
Colour Options:			
Black (BL), Silver (SL), Anthracite Grey (AG) RAL Available			
Function Options:			
3HR Emergency (M3), Microwave Sensor (MS), PhotoCell (PC) 1-10V Dimming (1-10V) DALI Addressable (DA), Self Test (ST)			

SAFFRON

EXTERNAL

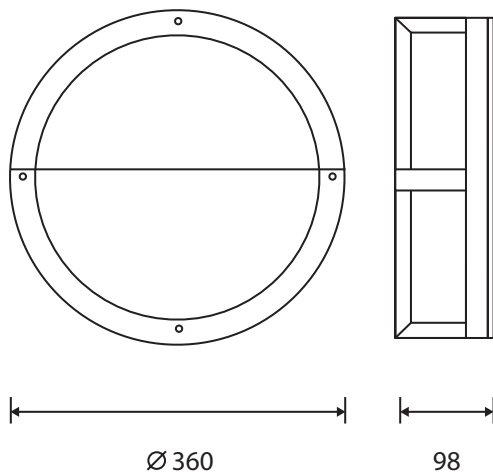


IP65 Corrosion and Vandal resistant luminaire. Die Cast Aluminium housing complete with front half hood and Halo effect from the 360° side cut outs. Epoxy polyester UV stabilised powder coated finish. Fitted with Stainless Steel screws. UV stabilised impact resistant one piece polycarbonate opal diffuser complete with silicone rubber gasket.

TECHNICAL SPECIFICATION

Mains Supply:	230-240V AC 50/60Hz
Light Source:	LED 99 x Samsung OM561B
Colour Temperature:	3000/4000K
Colour Rendering:	CRI>80
Ambient Temperature:	-20°C...+50°C
Life Time:	50,000 Hours
Loads Outputs:	350mA, 8.6W, 1670 Lumens, 194 Lm/W 500mA, 12.5W, 2300 Lumens, 184 Lm/W 700mA, 21.9W, 3192 Lumens, 145 Lm/W

LINE DRAWING



OPTIONS

Fitting:	Light Source:	Wattage:	Colour:
SAFFRON	LED	8.6/12.5/21.9W	BL/SL
Options:			
Colour Options:			
Black (BL), Silver (SL) RAL Available			
Function Options:			
3HR Emergency (M3), Microwave Sensor (MS), PhotoCell (PC) 1-10V Dimming (1-10V) DALI Addressable (DA), Self Test (ST)			

ELDER

EXTERNAL

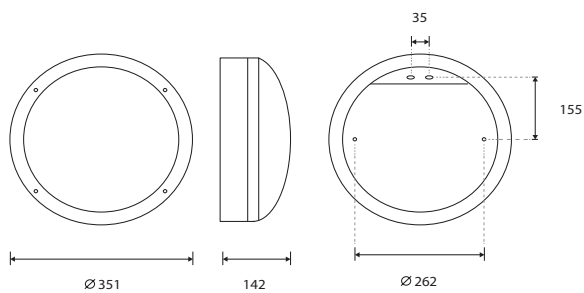


IP65 Circular Bulkhead. Die Cast Aluminium base and front cover ring. Polycarbonate opal diffuser. Grey powder coated finish complete with steel gear tray.

TECHNICAL SPECIFICATION

Mains Supply:	230-240V AC 50/60Hz
Colour Temperature:	5000K
Power:	15.5W

LINE DRAWING



OPTIONS

Fitting:	Light Source:	Wattage:	Colour:
ELDER	LED	15.5W	AG
Options:			
Function Options:			
3HR Emergency, Corridor Function, Sensor.			

DOUGLAS

EXTERNAL

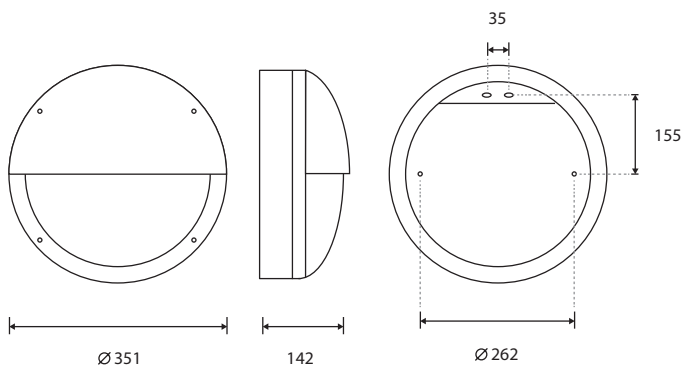


IP65 Circular Bulkhead. Die Cast Aluminium base and hooded front cover ring. Polycarbonate opal diffuser. Grey powder coated finish complete with steel gear tray.

TECHNICAL SPECIFICATION

Mains Supply:	230-240V AC 50/60Hz
Colour Temperature:	5000K
Power:	15.5W

LINE DRAWING



OPTIONS

Fitting:	Light Source:	Wattage:	Colour:
DOUGLAS	LED	15.5W	WH
Options:			
Function Options:			
3HR Emergency, Corridor Function, Sensor. Black available on request.			

EAGLE O

EXTERNAL

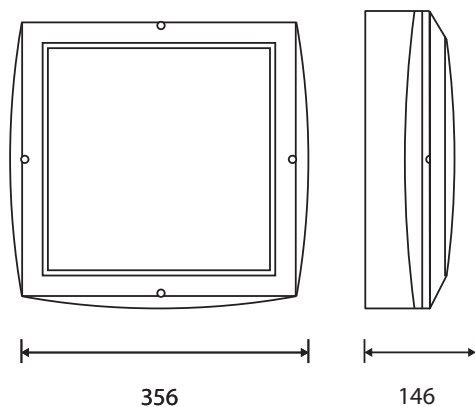


IP65 corrosion and vandal resistant luminaire. Die Cast Aluminium housing complete with front cover ring. Epoxy polyester UV stabilised powder coated finish. Fitted with Stainless Steel screws. UV stabilised impact resistant polycarbonate opal diffuser, complete with silicone rubber gasket.

TECHNICAL SPECIFICATION

Mains Supply:	230-240V AC 50/60Hz
Light Source:	LED 99 x Samsung OM561B
Colour Temperature:	3000/4000K
Colour Rendering:	CRI>80
Ambient Temperature:	-20°C...+50°C
Life Time:	50,000 Hours
Loads Outputs:	350mA, 8.6W, 1670 Lumens, 194 Lm/W 500mA, 12.5W, 2300 Lumens, 184 Lm/W 700mA, 21.9W, 3192 Lumens, 145 Lm/W

LINE DRAWING



OPTIONS

Fitting:	Light Source:	Wattage:	Colour:
EAGLE O	LED	8.6/12.5/21.9W	BL/SL
Options:			
Colour Options:			
Black (BL), Silver (SL) RAL Available			
Function Options:			
3HR Emergency (M3), Microwave Sensor (MS), PhotoCell (PC) 1-10V Dimming (1-10V) DALI Addressable (DA), Self Test (ST)			

EAGLE H

EXTERNAL

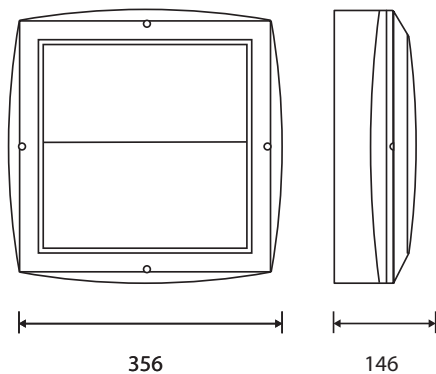


IP65 corrosion and vandal resistant luminaire. Die Cast Aluminium housing complete with front cover ring. Epoxy polyester UV stabilised powder coated finish. Fitted with Stainless Steel screws. UV stabilised impact resistant polycarbonate opal diffuser, complete with silicone rubber gasket.

TECHNICAL SPECIFICATION

Mains Supply:	230-240V AC 50/60Hz
Light Source:	LED 99 x Samsung OM561B
Colour Temperature:	3000/4000K
Colour Rendering:	CRI>80
Ambient Temperature:	-20°C...+50°C
Life Time:	50,000 Hours
Loads Outputs:	350mA, 8.6W, 1670 Lumens, 194 Lm/W 500mA, 12.5W, 2300 Lumens, 184 Lm/W 700mA, 21.9W, 3192 Lumens, 145 Lm/W

LINE DRAWING

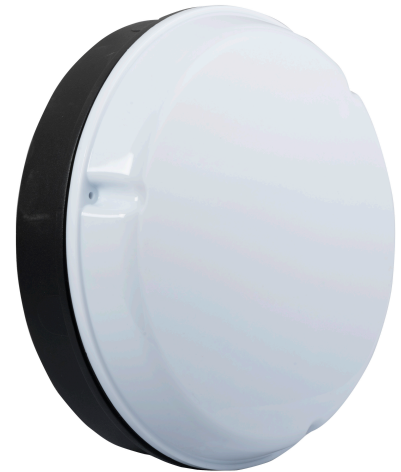


OPTIONS

Fitting:	Light Source:	Wattage:	Colour:
EAGLE H	LED	8.6/12.5/21.9W	BL/SL
Options:			
Colour Options:			
Black (BL), Silver (SL) RAL Available			
Function Options:			
3HR Emergency (M3), Microwave Sensor (MS), PhotoCell (PC) 1-10V Dimming (1-10V) DALI Addressable (DA), Self Test (ST)			

KORA

EXTERNAL

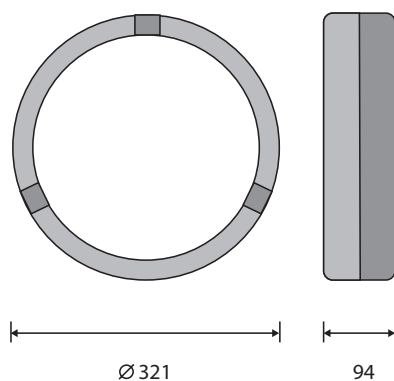


IP65 Corrosion Resistant luminaire. Polycarbonate or Die Cast Aluminium base. Die Cast base has an epoxy polyester UV stabilised powder coated finish. UV stabilised impact resistant opal diffuser complete silicone rubber gasket.

TECHNICAL SPECIFICATION

Mains Supply:	230-240V AC 50/60Hz
Light Source:	LED 99 x Samsung OM561B
Colour Temperature:	3000/4000K
Colour Rendering:	CRI>80
Ambient Temperature:	-20°C...+50°C
Life Time:	50,000 Hours
Loads Outputs:	350mA, 8.6W, 1670 Lumens, 194 Lm/W 500mA, 12.5W, 2300 Lumens, 184 Lm/W 700mA, 21.9W, 3192 Lumens, 145 Lm/W

LINE DRAWING



OPTIONS

Fitting:	Light Source:	Wattage:	Colour:
KORA	LED	8.6/12.5/21.9	WH/BL
Options:			
Colour Options:			
White (WH), Black (BL)			
Function Options:			
3HR Emergency (M3), Microwave Sensor (MS), PhotoCell (PC) 1-10V Dimming (1-10V) DALI Addressable (DA), Self Test (ST)			

COBRA O

EXTERNAL

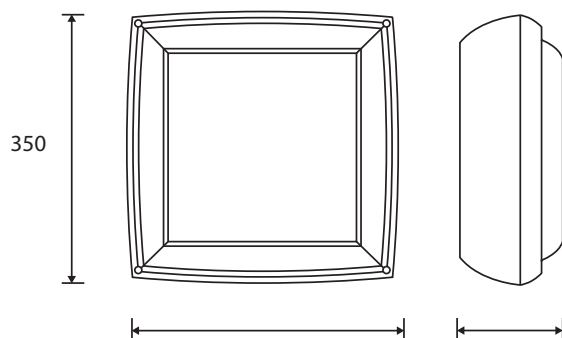


IP65 corrosion and vandal resistant luminaire. Die Cast Aluminium housing complete with front cover ring. Epoxy polyester UV stabilised powder coated finish. Fitted with Stainless Steel screws. UV stabilised impact resistant polycarbonate opal diffuser, complete with silicone rubber gasket.

TECHNICAL SPECIFICATION

Mains Supply:	230-240V AC 50/60Hz
Light Source:	2D FLUORESCENT
Lamp Options:	28W 2D FLUORESCENT
	38W 2D FLUORESCENT

LINE DRAWING



OPTIONS

Fitting:	Light Source:	Wattage:	Colour:
COBRA O	2D	28/38W	BL/SL
Options:			
Colour Options:			
Black (BL), Silver (SL)			
Function Options:			
3HR Emergency (M3), Microwave Sensor (MS), PhotoCell (PC) 1-10V Dimming (1-10V) DALI Addressable (DA), Self Test (ST)			

COBRA H

EXTERNAL

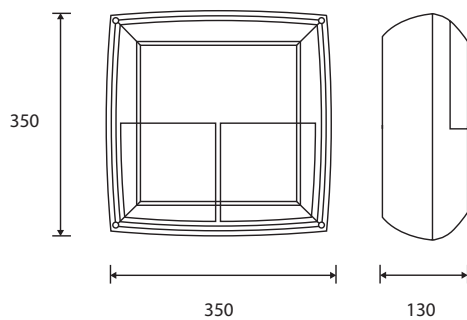


IP65 Corrosion Resistant luminaire. Polycarbonate or Die Cast Aluminium base. Die Cast base has an epoxy polyester UV stabilised powder coated finish. UV stabilised impact resistant opal diffuser complete silicone rubber gasket.

TECHNICAL SPECIFICATION

Mains Supply:	230-240V AC 50/60Hz
Light Source:	2D FLUORESCENT
Lamp Options:	28W 2D FLUORESCENT 38W 2D FLUORESCENT

LINE DRAWING



OPTIONS

Fitting:	Light Source:	Wattage:	Colour:
COBRA H	2D	28/38W	BL/SL
Options:			
Colour Options:			
Black (BL), Silver (SL)			
Function Options:			
3HR Emergency (M3), Microwave Sensor (MS), PhotoCell (PC) 1-10V Dimming (1-10V) DALI Addressable (DA), Self Test (ST)			

COBRA CB

EXTERNAL

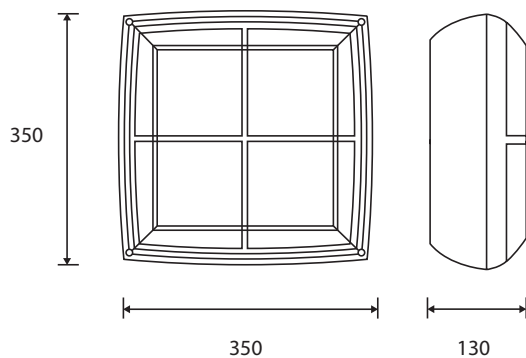


IP65 corrosion and vandal resistant luminaire. Die Cast Aluminium housing complete with front cover ring. Epoxy polyester UV stabilised powder coated finish. Fitted with Stainless Steel screws. UV stabilised impact resistant polycarbonate opal diffuser, complete with silicone rubber gasket.

TECHNICAL SPECIFICATION

Mains Supply:	230-240V AC 50/60Hz
Light Source:	2D FLUORESCENT
Lamp Options:	28W 2D FLUORESCENT
	38W 2D FLUORESCENT

LINE DRAWING



OPTIONS

Fitting:	Light Source:	Wattage:	Colour:
COBRA CB	2D	28/38W	BL/SL
Options:			
Colour Options:			
Black (BL), Silver (SL)			
Function Options:			
3HR Emergency (M3), Microwave Sensor (MS), PhotoCell (PC) 1-10V Dimming (1-10V) DALI Addressable (DA), Self Test (ST)			

CYPRESS

EXTERNAL

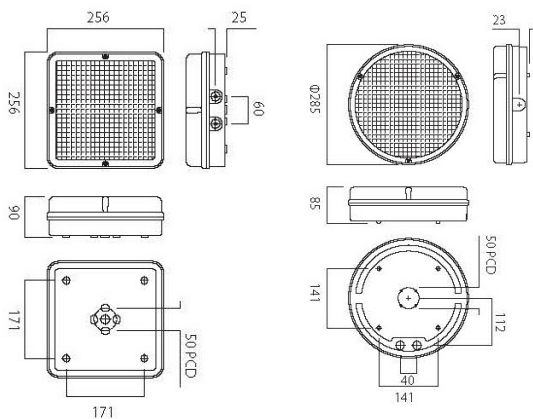


IP65 bulkhead. Polycarbonate base complete with steel gear tray and polycarbonate opal diffuser. Available in both square and circular body.

TECHNICAL SPECIFICATION

Mains Supply:	230-240V AC 50/60Hz
Light Source:	15.5W LED
Output:	1030 Lumens
Colour Temp:	5000K

LINE DRAWING



OPTIONS

Fitting:	Light Source:	Wattage:	Colour:
CYPRESS	LED	15.5W	BL/WH
Options:			
Function Options:			
3HR Emergency, 3500K LED Board, Microwave sensor, Corridor function.			
Base Colour Options:			
Black (BL), White (WH)			

NORTHER

EXTERNAL

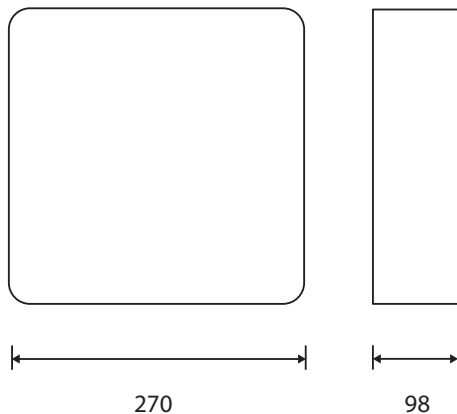


IP65 low profiled square styled luminaire with a choice of polycarbonate or Die cast aluminium base complete with silicone rubber gasket seal. Vandal resistant polycarbonate opal diffuser. Tamper proof screws available on request.

TECHNICAL SPECIFICATION

Mains Supply:	230-240V AC 50/60Hz
Light Source:	LED 99 x Samsung OM561B
Colour Temperature:	3000/4000K
Colour Rendering:	CRI>80
Ambient Temperature:	-20°C...+50°C
Life Time:	50,000 Hours
Loads Outputs:	350mA, 8.6W, 1670 Lumens, 194 Lm/W 500mA, 12.5W, 2300 Lumens, 184 Lm/W 700mA, 21.9W, 3192 Lumens, 145 Lm/W

LINE DRAWING



OPTIONS

Fitting:	Light Source:	Wattage:	Colour:
NORTHER	LED	8.6/12.5/21.9W	WH/BL
Options:			
Colour Options:			
White (WH), Black (BL)			
Function Options:			
3HR Emergency (M3), Microwave Sensor (MS), PhotoCell (PC) 1-10V Dimming (1-10V) DALI Addressable (DA), Self Test (ST)			

ELM

EXTERNAL

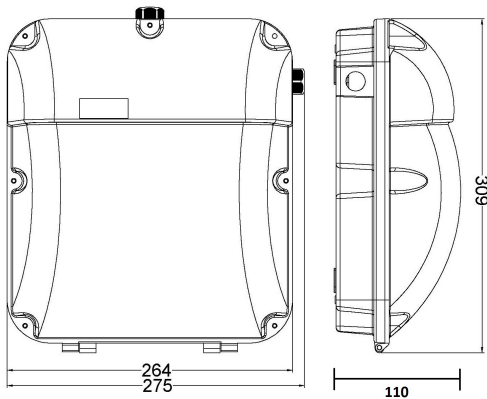
LED IP65 Wallpack. Die Cast Aluminium base with polycarbonate opal hooded diffuser.



TECHNICAL SPECIFICATION

Mains Supply:	Integral Driver
Light Source:	LED 30W
Output:	2700 Lumens
Colour Temperature:	4000K
Life Time:	35,000HR

LINE DRAWING



OPTIONS

Fitting:	Light Source:	Wattage:	Colour:
ELM	LED	30W	WH
Options:			
Function Options:			
Dusk/Dawn photo cell.			

LEVENTO

EXTERNAL

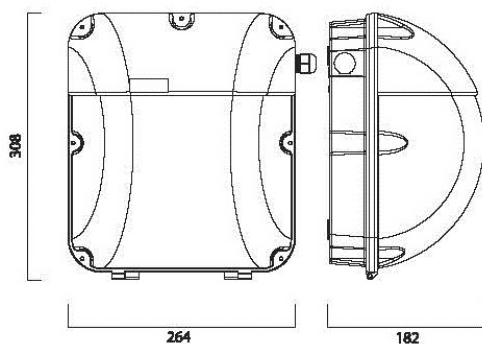


IP65 Corrosion and vandal resistant luminaire. Die cast aluminium base complete with top half polycarbonate hood. Epoxy polyester UV stabilised powder coated finish. Fitted with Stainless Steel screws. UV stabilised impact resistant polycarbonate opal diffuser complete with Silicone rubber gasket.

TECHNICAL SPECIFICATION

Light Source:	LED 30W
Output:	2700 Lumens
Colour Temperature:	4000K
Driver:	Integral Driver
LED Life:	35,000

LINE DRAWING



OPTIONS

Fitting:	Light Source:	Wattage:	Colour:
LEVENTO	LED	30W	BL
Options:			
Colour Options:			
Black (BL)			
Function Options:			
Dusk/Dawn photo-cell, 3HR Emergency			

CHILI FLAT

EXTERNAL

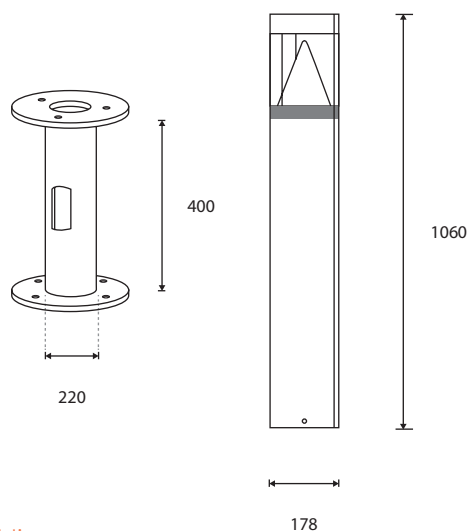


Extruded Aluminium housing with flush mounting base and vandal resistant screws. Clear polycarbonate lens and specially designed aluminium cone reflector for LED. Black powder coat finish over a chromate conversion coating. Internal gear tray for easy maintenance with 200mm anchor bolts. Option for root mounting.

TECHNICAL SPECIFICATION

Mains Supply:	230-240V AC 50/60Hz
Light Source:	17W LED
Colour Temperature:	5000K
Colour Rendering:	CRI>83
Ambient Temperature:	-20°C...+50°C
Life Time:	50,000HR
Lumen Outputs:	1030 Lumens

LINE DRAWING



OPTIONS

Fitting:	Light Source:	Wattage:	Colour:
CHILI FLAT	LED	17W	BL
Options:			
Function Options:			
3HR Emergency, 3500K LED Board, Microwave sensor, Corridor function.			
Base Colour Options:			
Black (BL), Silver (SL)			
Route Mount			

CHILI DOME

EXTERNAL

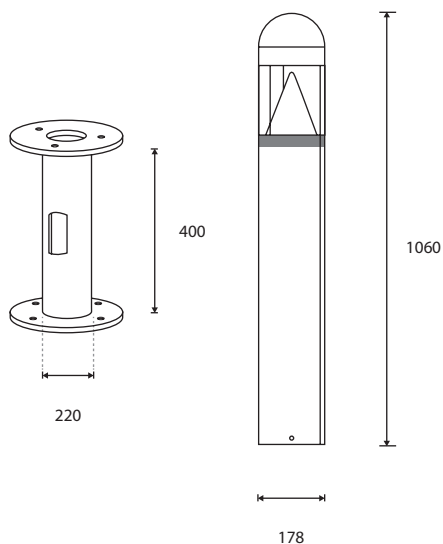


Extruded Aluminium housing with flush mounting base and vandal resistant screws. Clear polycarbonate lens and specially designed aluminium cone reflector for LED. Black powder coat finish over a chromate conversion coating. Internal gear tray for easy maintenance with 200mm anchor bolts. Option for root mounting.

TECHNICAL SPECIFICATION

Mains Supply:	230-240V AC 50/60Hz
Light Source:	17W LED
Colour Temperature:	5000K
Colour Rendering:	CRI>83
Ambient Temperature:	-20°C...+50°C
Life Time:	50,000 Hours
Lumen Outputs:	1384 Lumen

LINE DRAWING



OPTIONS

Fitting:	Light Source:	Wattage:	Colour:
CHILI DOME	LED	17W	BL
Options:			
Colour Options:			
Black (BL)			
Function Options:			
3HR Emergency (M3), Root Mount kit.			

CHILI SQ

EXTERNAL

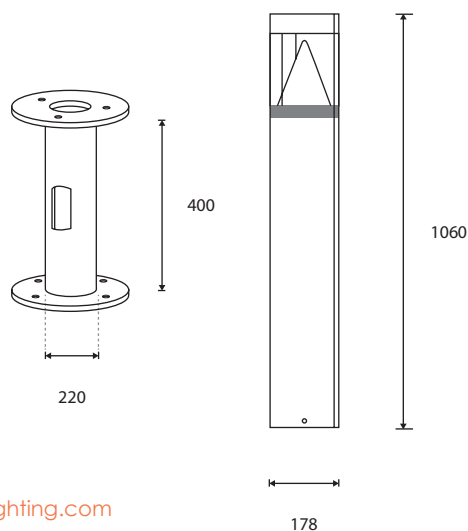


Extruded Aluminium housing with flush mounting base and vandal resistant screws. Clear polycarbonate lens and specially designed aluminium cone reflector for LED. Black powder coat finish over a chromate conversion coating. Internal gear tray for easy maintenance with 200mm anchor bolts. Option for root mounting.

TECHNICAL SPECIFICATION

Mains Supply:	230-240V AC 50/60Hz
Light Source:	17W LED
Colour Temperature:	5000K
Colour Rendering:	CRI>83
Ambient Temperature:	-20°C...+50°C
Life Time:	50,000HR
Lumen Outputs:	1030 Lumens

LINE DRAWING



OPTIONS

Fitting:	Light Source:	Wattage:	Colour:
CHILI SQ	LED	17W	BL
Options:			
Colour Options:			
Black (BL)			
Function Options:			
3HR Emergency (M3), 1-10V Dimming (1-10V) DALI			
Route Mount			

MONTERY

EXTERNAL

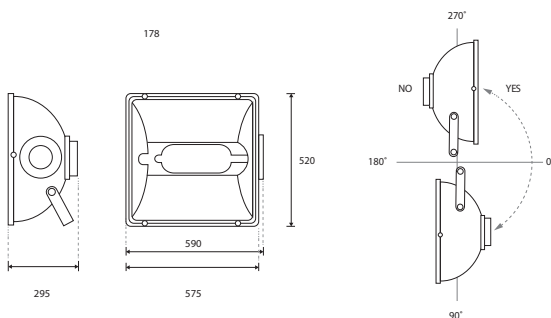


IP65 Asymmetric floodlight for 2KW lamps. Die cast aluminium body with a semi-gloss black light textured powder coated finish. Thermal resistant tempered glass. Stainless Steel security glass clips. Polished aluminium asymmetric reflector with dimpled finish.

TECHNICAL SPECIFICATION

IP65 Die-cast aluminium body c/w bracket
mounted ignitor/ terminal housing.
E40 lampholder.
Supplied excluding lamp.
Asymmetric distribution.
Windage - 0.26m ²

LINE DRAWING



OPTIONS

Fitting:	Light Source:	Wattage:	Colour:
MON-TERY	E40	2KW	WH
Options:			
Remote IP65 Gear Box.			

MIDLAND

EXTERNAL



IP65 Asymmetric floodlight for 2KW lamps. Die cast aluminium body with a semi-gloss black light textured powder coated finish. Thermal resistant tempered glass. Stainless Steel security glass clips. Polished aluminium asymmetric reflector with dimpled finish.

TECHNICAL SPECIFICATION

IP65 Die-cast aluminium body c/w bracket

mounted ignitor/ terminal housing.

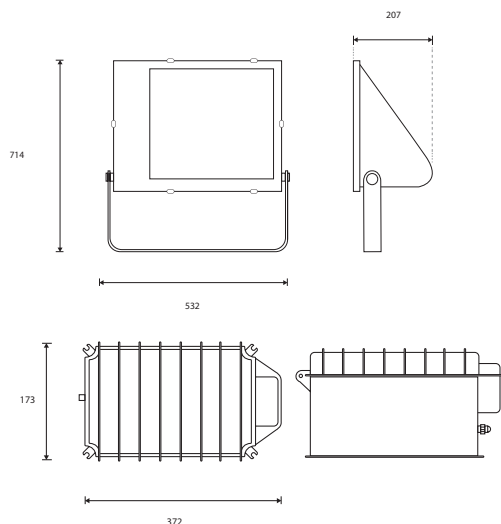
E40 lampholder.

Supplied excluding lamp.

Asymmetric distribution.

Windage - 0.27m².

LINE DRAWING



OPTIONS

Fitting:	Light Source:	Wattage:	Colour:
MIDLAND	E40	1KW	WH
Options:			
Remote IP65 Gear Box.			
Lamp Options:			
1KW HQI Flood			
1KW SON Flood			