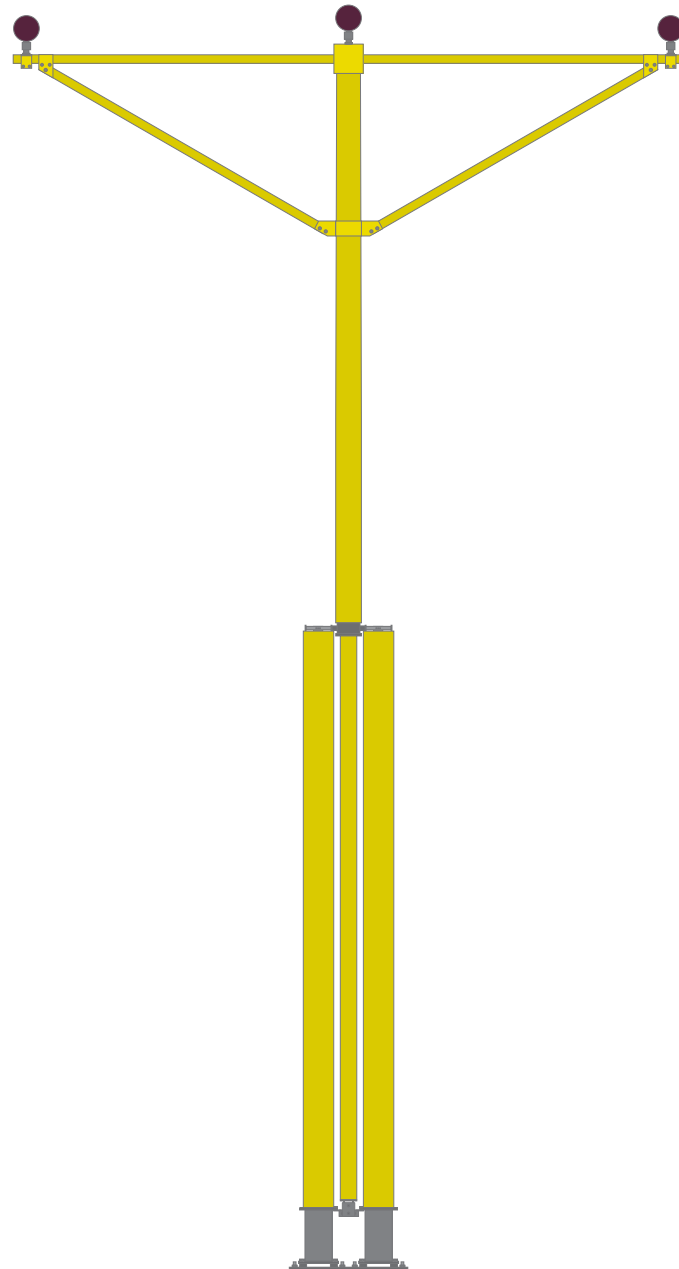


INSTALLATION MANUAL



Multiple Light Mid-Hinge Mast

MULTIPLE LIGHT MID-HINGE MAST

Parts Checklist

- A Nut (M16)
 - B Washer (16mm)
 - C Base Plate
 - D Foundation Rods
 - E Leg Assemblies
 - F Bolt (M16 x 60mm)
 - G Washer (20mm)
 - H Bolt (M12 x 80mm)
 - I Nyloc Nut (M12)
 - J Upper Mast Section
 - K Junction Box Panel
 - L Washer (M16)
 - M Hex Head Bolt (M16 x 50mm)
 - N Lower Mast Section
 - O Pivot Shaft
 - P Nut (M12)
 - Q Washer (12mm)
 - R Bracket Adjuster
 - S Cross Arm Assembly
 - T Guide Rope
 - U Junction Box Plate
 - V Access Platform (Required)
 - W Crane (Required)
 - X Hand Tools (Required)
-

MULTIPLE LIGHT MID-HINGE MAST

Step 1

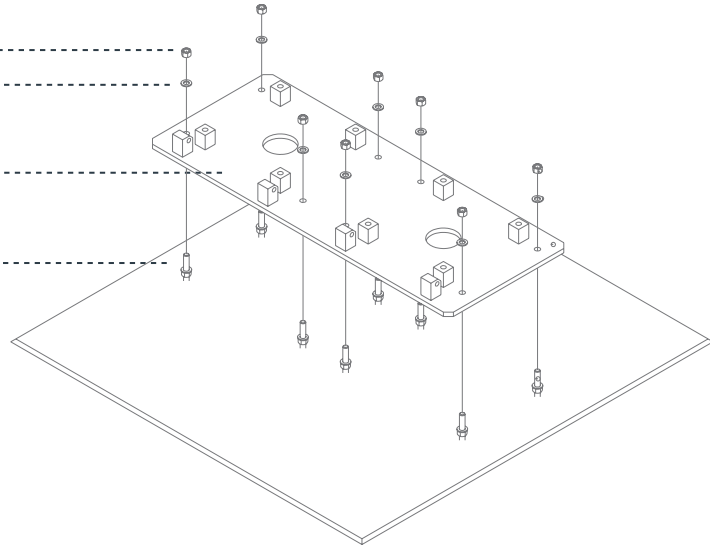
- » Screw one nut and one washer approximately 60mm onto each threaded foundation rod. Rest the ground plate onto the washers, ensuring the hinge is facing the required direction.
- » Ensure a gap of approximately 30mm between the ground plate and concrete, this is to make it possible to adjust the mast vertically later. (To help maintain a gap, use wooden lats.)
- » Level the ground plate using the lower nuts. Once the ground plate is level, screw one nut and washer onto all 8 rods to secure the plate.

A. Nut (M16)

B. Washer (16mm)

C. Base Plate

D. Foundation Rods



Step 2

- » Mate the hinges of the leg assembly and the ground plate together, ensuring the holes are aligned.
- » Once the holes are aligned slide through the hinge bolt, use a hammer if required.
- » Secure the hinge bolt with the washer and nut provided.
- » Thread the cables up the centre of mast and out of the pre-drilled hole.
- » Hinge up the leg assembly vertically until it meets the ground plate resting blocks. (Use lifting assistance.)
- » Secure the leg assembly to the ground plate using the large bolts and washers.
- » Repeat all of step 2 for both legs.

E. Leg Assembly

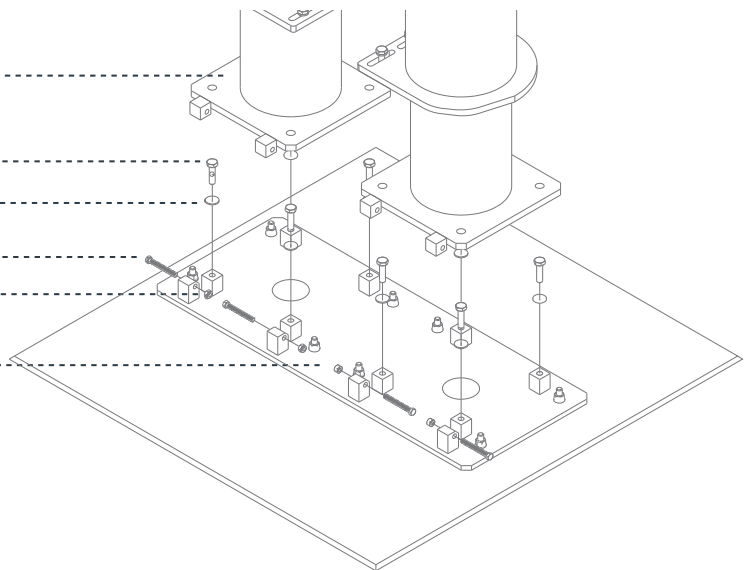
F. Bolt (M16 x 60mm)

G. Washer (20mm)

H. Bolt (M12 x 80mm)

I. Nyloc Nut (M12)

C. Base Plate



MULTIPLE LIGHT MID-HINGE MAST

Step 3

- » Attach the junction box to the junction box plate.
- » Mate the two flanges of the centre mast together and secure using the nuts and washers provided. **(Ensure the seams of the 2 masts are correctly aligned.)**
- » Fit the junction box panel to the upper flange using the M16 bolt, nut and washers. Ensure the junction box panel is located on the front face of the mast and not in contact with the pivot shaft.
- » Attach the cross arm assembly to the top cap of the upper mast. **(See multiple light approach mast manual.)**
- » The lighting cables will run inside the junction box, up the centre of the mast and out of the pre-drilled holes in the cross arm assembly.

J. Upper Mast Section

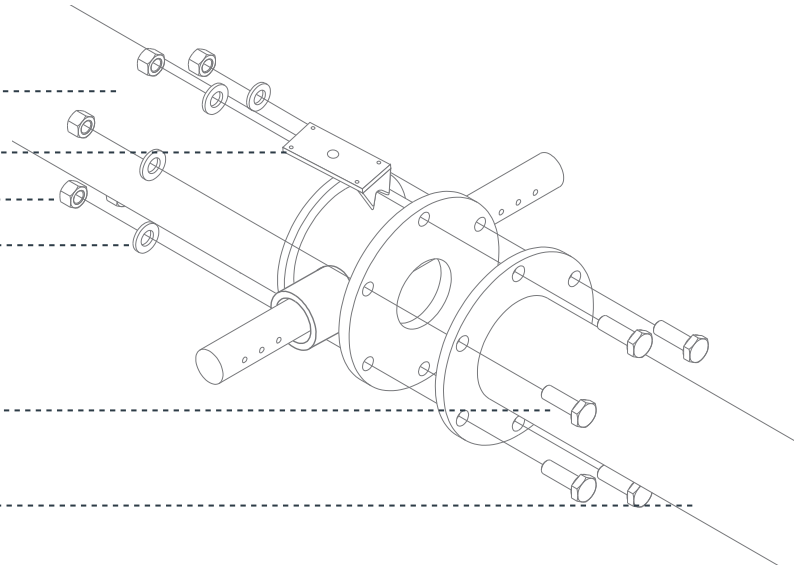
K. Junction Box Panel

A. Nut (M16)

L. Washer (M16)

M. Hex Head Bolt (M16 x 50mm)

N. Lower Mast Section



Step 4

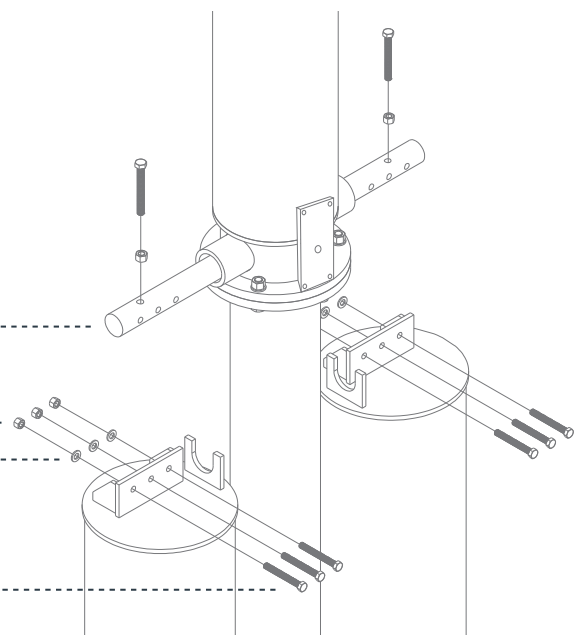
- » Use a crane to lift up the fully assembled centre mast in between the two legs. Carefully lower the pivot shaft onto the resting blocks at the top of each leg assembly. **(The shaft will only rest on the two inner resting blocks.)**
- » Secure the centre mast to the leg assemblies using the six M12 bolts, nuts and washers provided. **(An access platform will be required.)**
- » Insert the M12 bolts and fit the washers and nuts. **(Do not fully tighten at this time.)**
- » Use the full thread M12 jack bolts to level the centre mast vertically. Once the centre mast is perfectly level, tighten the lock nuts on both jack bolts.
- » Fully tighten the six M12 nuts

O. Pivot Shaft

P. Nut (M12)

Q. Washer (12mm)

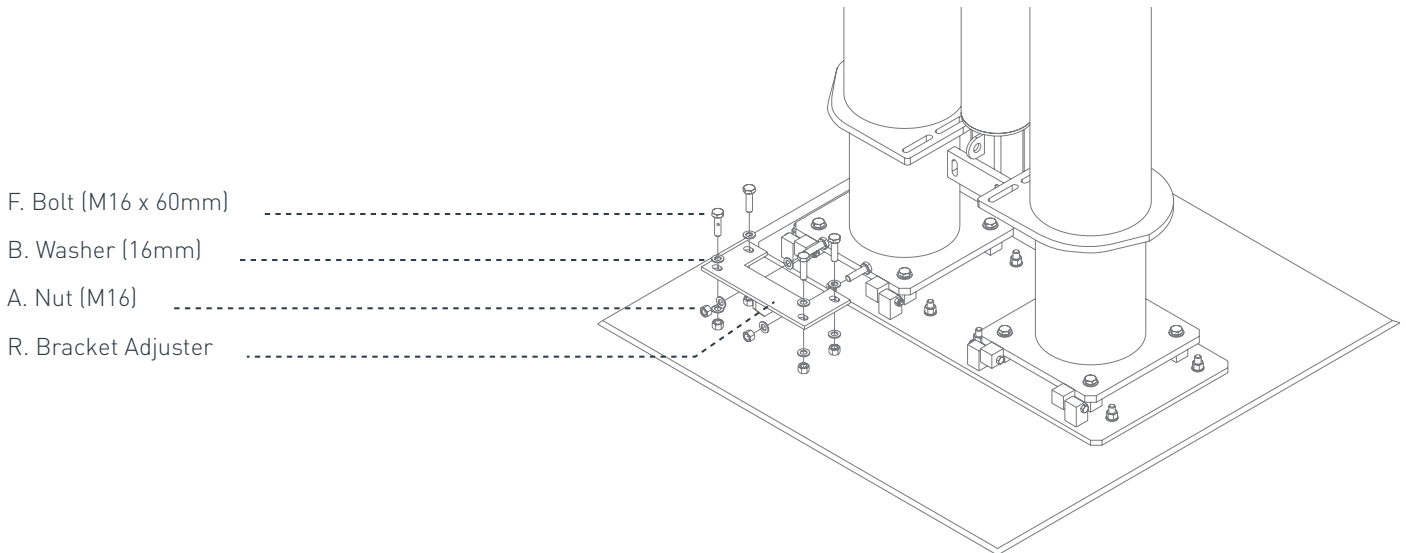
H. Bolt (M12 x 80mm)



MULTIPLE LIGHT MID-HINGE MAST

Step 5

- » Loosely attach the bracket adjuster to the elongated holes on the leg assembly using the bolts, nuts and washers provided.
- » Loosely secure the counterweight on the bottom of the centre mast to the bracket adjuster.
- » Ensure the mast is level vertically and tighten all bolts and nuts on the bracket adjuster.



Mid-Hinge Operating Instructions

- » To lower the mast, attach the guide rope provided to the eyelet located at the bottom of the centre mast. Remove the two bolts, nuts and washers which secure the centre mast to the bracket adjuster. Extra care must be taken and the mast should be lowered slowly and safely. **(Keep tension on the guide rope at all times.)**
- » To raise the mast pull on the guide rope, extra care must be taken and the mast should be raised slowly and safely. When the bottom of the centre mast meets the bracket adjuster secure it in place using the nuts bolts and washers.