

AccuFiz[®] LWIR

4D Technology

10.6 μm Infrared Fizeau Interferometer

Accurate IR Measurement

The AccuFiz[®] LWIR laser interferometer operates at a wavelength of 10.6 μm for accurate measurement of polished and rough-ground optics and metal surfaces. With simple controls and a built-in visible alignment laser, the system is ideal for measuring concave, convex and afocal IR components, as well as IR telescopes and lens systems. Its ability to capture high slopes enables measurement of aspherical optics without the need for a holographic element.

The AccuFiz LWIR is loaded with standard features, such as 2X continuous zoom, a touch-screen remote and motorized controls.

Optional, vibration-insensitive Dynamic mode enables measurements under almost any environmental condition, without vibration isolation. This insensitivity to environmental factors makes the AccuFiz ideally suited for use in clean rooms and

in environmental test chambers. Transmission flats and spheres are available for measuring afocal and focal components and systems.

Industry Leading Analysis, Standard

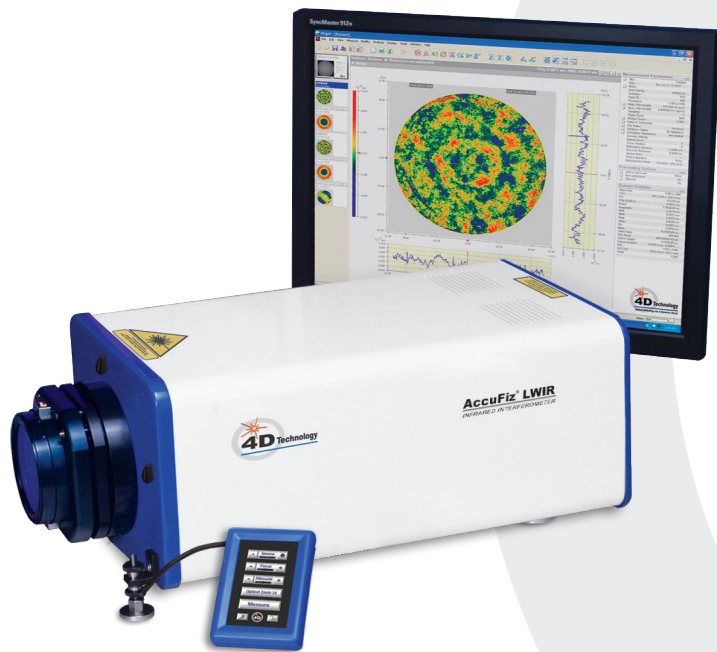
The included 4Sight wavefront analysis software features an intuitive interface and excellent ease of use. The Measurement Screen puts all common measurement controls in one place, while the Measurement Flow lets you visualize the entire measurement data flow. 2D and 3D displays, filtering options, and masking tools make it easy to highlight surface shape and texture. Zernike, Seidel, geometric and diffraction analyses are easy to perform. Comprehensive data sharing capabilities let you read, write, save and print most file types.

FEATURES

- 10.6 μm Wavelength
- 2X Continuous Zoom
- Visible Alignment Beam
- Dual Spot Camera Based Alignment Aid
- High Slope Capture for Aspheric Measurement
- Outstanding Data Analysis and Visualization Software

APPLICATIONS

- Focal and Afocal IR Components
- Aspherical Components
- Optical Systems
- Rough-Ground Optics and Metal Surfaces



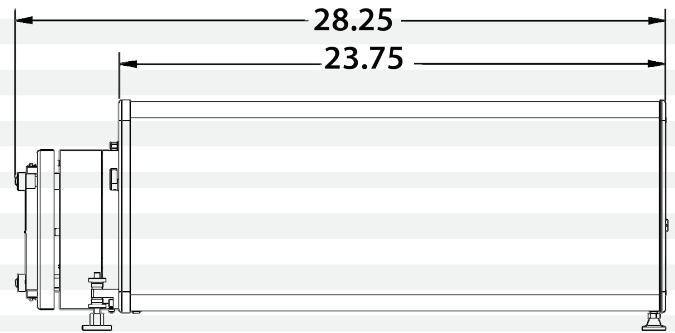
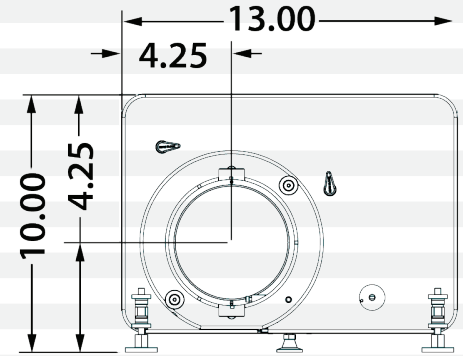
AccuFiz LWIR

AccuFiz[®] LWIR

4D Technology

Specifications

Configuration	AccuFiz LWIR
Description	Turnkey Fizeau interferometer system
Acquisition Mode	Temporal phase shifting, optional dynamic measurement
Alignment Mode	Visible alignment beam; dual spot camera based alignment aid
Wavelength	10.6 microns
Maximum Output	<500 mW at 10.6 microns; <5 mW at 532 nm (alignment laser)
Maximum Cavity Length	60 m
Beam Diameter	75 mm collimated
Polarization	Linear
Pupil Focus Range	±1 m
Pupil Magnification	2X continuous zoom
Camera	480 x 480 pixels
Frame Rate	25 frames/sec display; 7.5 frames/sec ITAR export compliant-version
Motorized Controls	Zoom, focus and beam attenuation
Computer System	High performance PC with dual monitors
Operating System	Windows [®] 7
System Software	4Sight™ Analysis Software Reference generation, subtraction, data averaging, masking 2D and 3D surface maps Zernike / Seidel / Slope / Geometric / Fourier Analysis Fiducial aided data set mapping Absolute Sphere, 3-Flat calibration HDF4 / HDF5 data format standard, others supported including opd, map, dat, hdf, int, csv and txt Upgrades free during warranty period
Physical Envelope	< 83.3 x 33.3 x 37.6 cm (32.8 x 13.1 x 14.8 in)
Weight	< 45.4 kg (100 lbs)
Power consumption	< 750 Watts @100-240VAC, 50/60Hz
Temperature Range	Operational: 60–80° F, non-condensing Storage: 30–100° F, non-condensing



Warranty One Year, limited, on-site system installation and operator training

Options

Transmission Spheres	range of focal lengths
Beam Expanders	Range of expanders on request

System Performance

Acquisition Rate	< 25 frames/sec display; 7.5 frames/sec ITAR export compliant-version < 25 frames/sec max data acquisition with optional dynamic mode; 7.5 frames/sec ITAR export compliant-version
Sample Reflectivity	10 to 100%
RMS Repeatability	< $\lambda/2000^*$
RMS Precision	< $\lambda/1000^{**}$

* One sigma for RMS of 10 data sets of calibration mirror, each data set being an average of 16 measurements.

** Average RMS of the difference of 10 data sets between measured surface and the calibrated surface. Each data set being an average of 16 measurements.

AccuFiz is a registered trademark, and 4Sight is a trademark of 4D Technology Corporation.

Windows is a registered trademark of Microsoft Corporation.

All specifications subject to change without notice.

Certain export restrictions apply.

