

The best in storage order-picking.

SLIDING SHELF FOR GROUND STORAGE PALLET

The mobility of the goods laid out on sliding shelves facilitates the pick-up using forklifts, hoists or during manual handling.

Rational storage for :

- line assembly components.
- consumables.
- unfinished goods.
- finished product.
- tools & dies.
- assembly jigs.
- spare parts.



Sliding shelf specifications

Galvanized slides use steel bearing.

Travel distance : 70% of the storage surface.

Shelf capacity : 400 kg to 1000 kg, evenly distributed load.

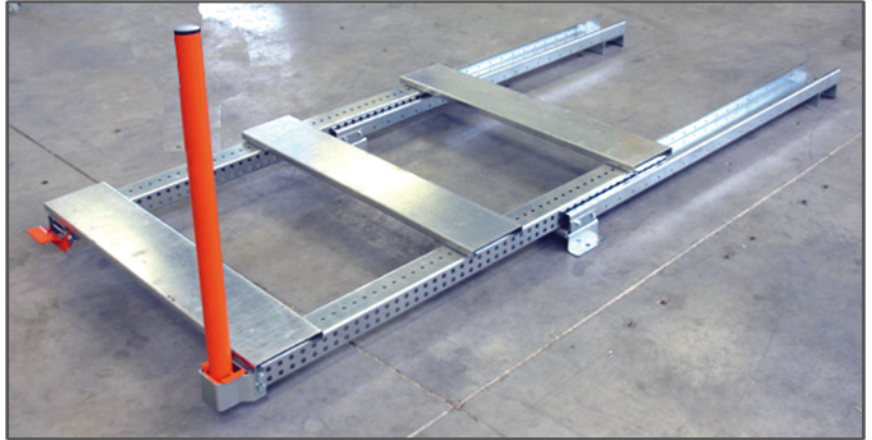
Foot lock bolts the sliding shelf in the pushed position.

Brevet FR0208239

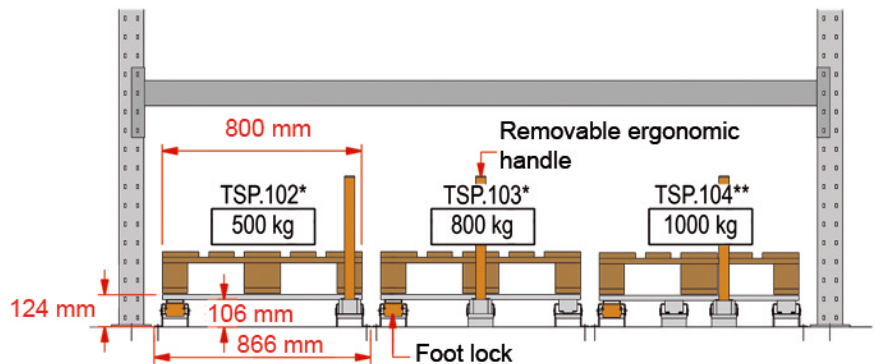
STOCK3P
PUSH - PULL - PICKING

www.stock3p.com

Tél : +33 (0) 2 51 32 91 91



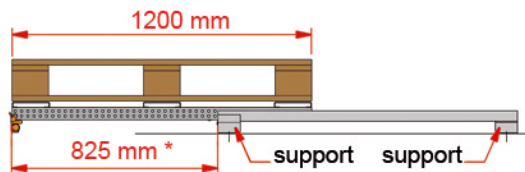
Under the rack the storage area on the ground is not easily accessible. Handling is difficult and dangerous. Sliding shelves is the solution to increase picking performance.



Example : bay 2700 mm wide, 3 sliding shelves for pallets 800 x 1200 mm.

* Compatible with forklift truck / compatible with electric staker / incompatible with manual pallet truck.

** Compatible with forklift truck / incompatible with electric staker / incompatible with manual pallet truck.



* Travel distance 70% of storage surface.



Foot lock with removable vertical handle.

