

ADMIRAL

EMERGENCY

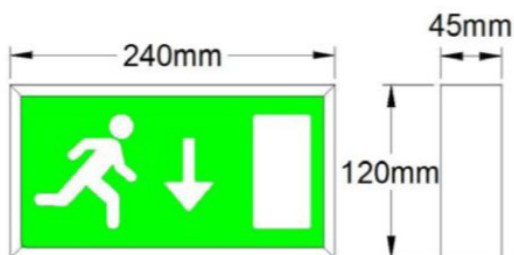


LED Exit Sign, features epoxy coated steel enclosure with an opaque screen printed polycarbonate legend panel. Available as both maintained and non-maintained 3HR Emergency.

TECHNICAL SPECIFICATIONS

Mains Supply:	230 - 240V AC 50/60Hz
Ambient Temperature:	25°C
Life Time:	50,000 Hours
Emergency Output:	120 Lumen
Power Rating:	Maintained, 3.7W, 33mA Non-Maintained: 1.7W, 19mA
Light Source:	10 off 3.5 x 2.8mm white LEDs
Emergency Duration:	3 Hours
Battery:	3.6V 2.0Ah Nickel Cadmium
Charger:	100mA Constant Current
Viewing Distance:	20 Metres

LINE DRAWING



OPTIONS

Fitting:	Light Source:	Wattage:	Colour:
ADMIRAL	LED	3.7/1.7W	WH
Options:			
Colour Options:			
White (WH)			
Legend Options:			
Arrow Down (AD), Arrow Left (AL), Arrow Right (AR)			

KHAMSIN

EMERGENCY



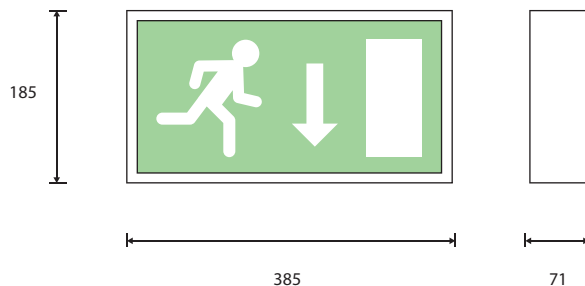
LED Exit Sign, features epoxy coated steel enclosure with an opaque screen printed polycarbonate legend panel. Up to 36 metres viewing distance.

Available as both maintained and non-maintained 3HR Emergency. White as standard.

TECHNICAL SPECIFICATIONS

Mains Supply:	230 - 240V AC 50/60Hz
Ambient Temperature:	-20C... +50C
Life Time:	50,000 Hours
Emergency Output:	100 Lumen
Light Source:	12 x White LEDs
Battery	4 Cell 1.1Ah Nickel Metal Hydride

LINE DRAWING



OPTIONS

Fitting:	Light Source:	Wattage:	Colour:
KHAMSIN	LED	-	WH
Options:			
Khamsin/Led/230V mains only available			
Legend Options:			
Arrow Down (AD), Arrow Left (AL), Arrow Right (AR)			

ROWAN

EMERGENCY

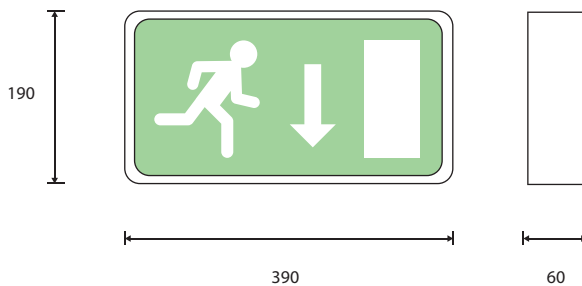


IP20 3HR Emergency exit sign. Powder coated white mild steel body with 20mm cable entries and BESA box fitting. Available as 8W T5 and 3W LED in both switchable maintained and non-maintained versions. With Green charge indicator. Arrow Down legend as standard.

TECHNICAL SPECIFICATIONS

T5 Specification:	Light Source: 8W T5 Supplied with colour 834 lamp
LED Specification:	6W 3.6V 1.5A Ni-Cd 6500K White LED

LINE DRAWING



OPTIONS

Fitting:	Light Source:	Wattage:	Colour:
ROWAN	T5/LED	6/8W	WH
Options:			
Self Test.			
Legend Options:			
Arrow Down (AD), Arrow Left (AL), Arrow Right (AR)			

PINE

EMERGENCY

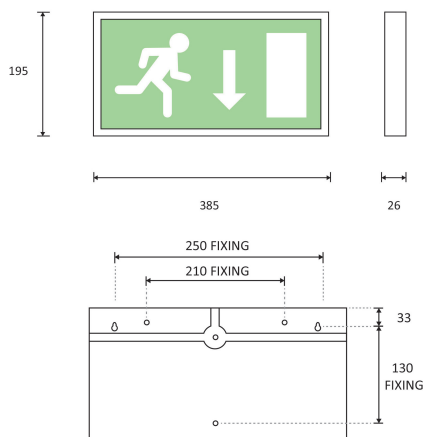


Slim LED 3HR Emergency maintained Exit sign. Polycarbonate body with polycarbonate legend panel, arrow down as standard.

TECHNICAL SPECIFICATIONS

Emergency Output:	3 Hour emergency exit sign
Life Time:	Switchable maintained (M3)
Light Source:	3W white LED
Battery:	3.6V 200mA Ni-MH

LINE DRAWING



OPTIONS

Fitting:	Light Source:	Wattage:	Colour:
PINE	LED	3W	WH
Options:			
Legend Options:			
Arrow Down (AD), Arrow Left (AL), Arrow Right (AR)			

PALM

EMERGENCY

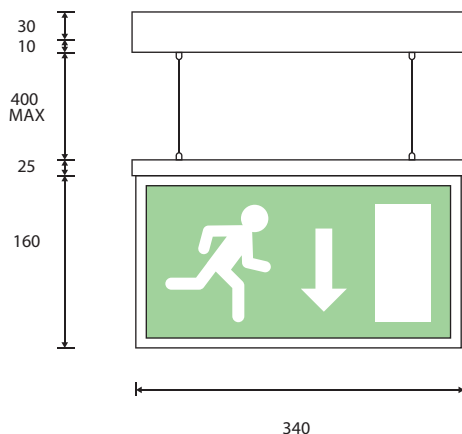
Maintained 3 Hour Emergency LED Exit sign luminaire. Attractive method of providing an illuminated safety sign with adjustable suspension heights from a surface mounted gear box and with no visible power cable. Comes with arrow down legend as standard.



TECHNICAL SPECIFICATIONS

LED Specification:	6W
	3.6V 1.5A Ni-Cd
	6500K
	White LED

LINE DRAWING



OPTIONS

Fitting:	Light Source:	Wattage:	Colour:
PALM	LED	6W	WH
Options:			
Self-Test.			
Legend Options:			
Arrow Down (AD), Arrow Left (AL), Arrow Right (AR)			

YEW SU

EMERGENCY

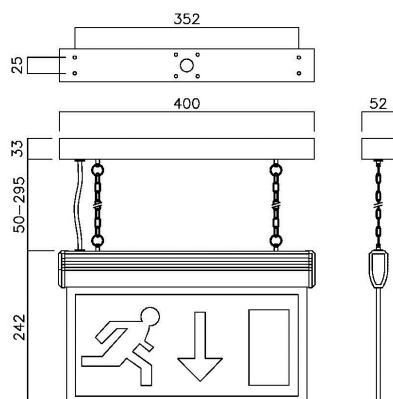


IP20 Suspended LED maintained emergency exit sign. Aluminium Alloy body, white trim. Double sided acrylic blade with legends. Arrow down and left/right.

TECHNICAL SPECIFICATIONS

Emergency Output:	3 Hour emergency exit sign
Life Time:	Switchable maintained (M3)
Light Source:	4W white LED
Battery:	3.6V 600mA Ni-Cd

LINE DRAWING



OPTIONS

Fitting:	Light Source:	Wattage:	Colour:
YEW SU	LED	4W	WH
Options:			
Chrome Trim, Brass Trim.			

YEW RE

EMERGENCY

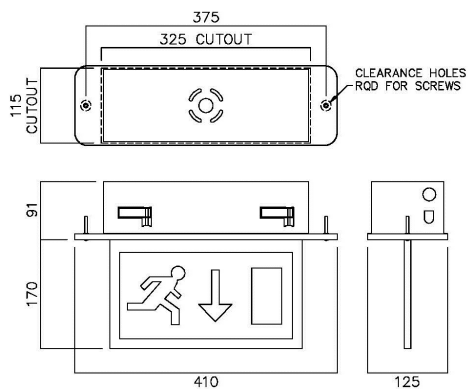


IP20 Recessed LED maintained emergency exit sign. Aluminium Alloy body, white trim. Double sided acrylic blade with legends. Arrow down and left/right.

TECHNICAL SPECIFICATIONS

Emergency Output:	3 Hour emergency exit sign
Life Time:	Switchable maintained (M3)
Light Source:	4W white LED
Battery:	3.6V 800mA Ni-Cd

LINE DRAWING



OPTIONS

Fitting:	Light Source:	Wattage:	Colour:
YEW RE	LED	4W	WH

ASPRE

EMERGENCY

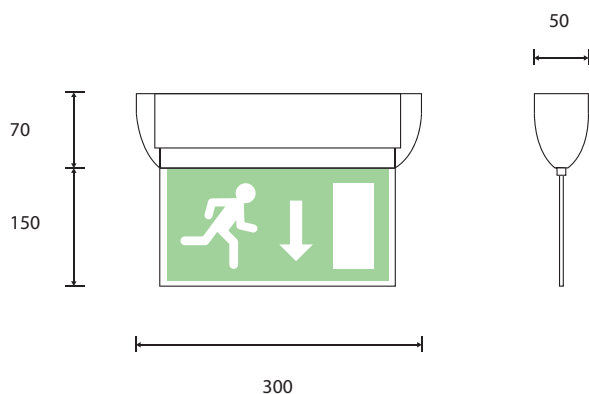
LED Exit Sign, stylish slim design, providing up to 28 metres viewing distance. Multiple mounting options to suite any need. Available as Maintained 3HR Emergency with option for self-test or DALI.



TECHNICAL SPECIFICATIONS

Mains Supply:	230-240V AC 50/60Hz
Light Source:	15 Long life white LEDs
Battery:	4.8V 1.1Ah NiCd
Charge Current:	200mA nominal
Recharge Period:	24HR
Power:	12VA
IP Rating:	IP20
Life Time:	50,000HR

LINE DRAWING



OPTIONS

Fitting:	Light Source:	Wattage:	Colour:
ASP <small>RE</small>	LED	-	SL/WH
Options:			
Colour Options:			
Silver (SL), White (WH)			
Legend Options:			
Arrow Down (AD), Arrow Left (AL), Arrow Right (AR)			
Mounting Options:			
Ceiling Bracket (CBRK), Wall Bracket (WBRK), End Bracket (EBRK), Wire Suspension kit (WIRE)			

ASPRE R

EMERGENCY

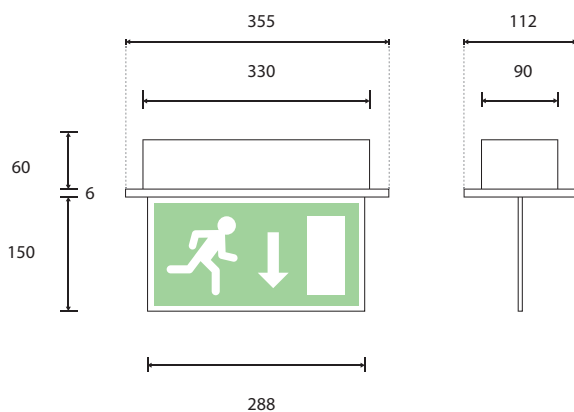


Recessed LED Exit Sign, stylish slim design, providing up to 28 metres viewing distance. Adjustable mounting brackets to support any thickness. Available as Maintained 3HR Emergency with option for self-test or DALI. Ideal for ceiling fixings.

TECHNICAL SPECIFICATIONS

Mains Supply:	230-240V AC 50/60Hz
Light Source:	15 Long life white LEDs
Battery:	4.8V 1.1Ah NiCd
Charge Current:	200mA nominal
Recharge Period:	24HR
Power:	12VA
IP Rating:	IP20
Life Time:	50,000HR

LINE DRAWING



OPTIONS

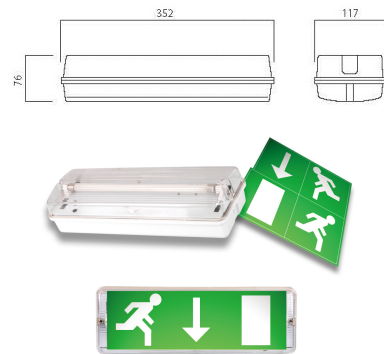
Fitting:	Light Source:	Wattage:	Colour:
ASPRE R	LED	-	WH
Options:			
Colour Options:			
White (WH)			
Legend Options:			
Arrow Down (AD), Arrow Left (AL), Arrow Right (AR)			
Function Options:			
DALI, Self-Test.			

OAKS

EMERGENCY



LINE DRAWING



IP65 Non-maintained 3HR Emergency Bulkhead. White Polycarbonate base and diffuser available as 8W T5 and 6W LED. Complete with a pack of 4 self adhesive legends.

TECHNICAL SPECIFICATIONS

T5 Specification:	Light Source: 8W T5 Supplied with colour 834 lamp
LED Specification:	6W 3.6V 1.8A Ni-Cd 200lm(DC) White LED

OPTIONS

Fitting:	Light Source:	Wattage:	Colour:
OAKS	LED/T5	6/8W	WH
Options:			
Self-Test, Recessing Kit, Drop Down Diffuser.			

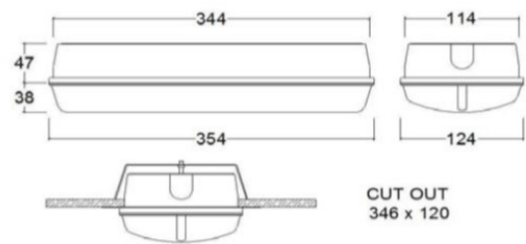
KAVER

EMERGENCY



IP65 Emergency Lighting Bulkhead for escape route lighting. Polycarbonate base and fresnel lens housing 8 watt T5 fluorescent lamp. Can be surface mounted or semi recessed using optional recessing kit.

LINE DRAWING



TECHNICAL SPECIFICATIONS

Mains Supply:	230 - 240V AC 50/60Hz
Ambient Temperature:	-20C... +50C
Emergency Output:	120 Lumen

Mounting Height (m)	Trans to wall	Trans to Trans	Axial to Trans	Axial to Axial	Axial to Wall	
2.5	1.6	5.9	4.3	3.0	1.0	1 Lux min
4.0	1.1	4.7	3.6	2.6	0.4	at centre
2.5	2.6	8.7	7.2	4.7	1.2	0.5 Lux min
4.0	1.9	8.5	7.0	4.5	0.6	open

OPTIONS

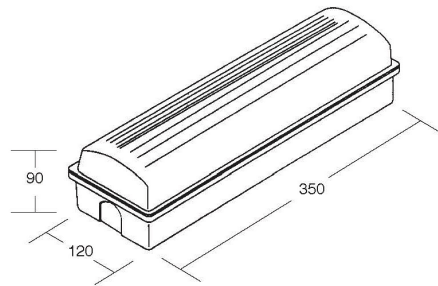
Fitting:	Light Source:	Wattage:	Colour:
KAVER	T5	8W	WH
Options:			
Function Options:			
Self-Test (ST), Maintained (M3), Non-Maintained (NM3)			
Legend Options:			
Arrow Down (AD), Arrow Left (AL), Arrow Right (AR)			

HURRICANE

EMERGENCY



LINE DRAWING



IP65 LED Emergency Lighting Bulkhead for escape route lighting. Suitable for surface mounting or can be supplied with a semi recessing bezel.

TECHNICAL SPECIFICATIONS

Mains Supply:	230-240V AC 50/60Hz
Light Source:	16 x white LEDs
Life Time:	50,000 Hours
Emergency Output:	90 Lumen

Mounting Height (m)	Trans to wall	Trans to Trans	Axial to Trans	Axial to Axial	Axial to Wall	
2.5	1.6	5.9	4.3	3.0	1.0	1 Lux min
4.0	1.1	4.7	3.6	2.6	0.4	at centre
2.5	2.6	8.7	7.2	4.7	1.2	0.5 Lux min
4.0	1.9	8.5	7.0	4.5	0.6	open

OPTIONS

Fitting:	Light Source:	Wattage:	Colour:
HURRICANE	LED	10W	WH
Options:			
Hurricane/230 mains only version available.			
Legend Options:			
Self Adhesive Legend kit.			

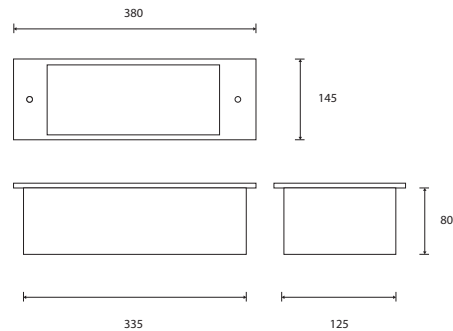
FLUSHLITE

EMERGENCY



IP20, 8W T5 recessed Emergency lighting luminaire. Manufactured in galvanised Steel with a prismatic polycarbonate panel retained by an epoxy coated trim. White as standard.

LINE DRAWING



TECHNICAL SPECIFICATIONS

Mains Supply:	230-240V AC 50/60Hz
Light Source:	8W T5
Light Output Mains:	400 lumens
Emergency Output:	100 Lumen
Battery:	4.8V 4Ah NiCd
Charge Current:	250mA
Recharge period:	24 Hours

Mounting Height (m)	Trans to wall	Trans to Trans	Axial to Trans	Axial to Axial	Axial to Wall	
2.5	1.8	5.1	5.0	4.7	1.7	1 Lux min
4.0	2.4	4.7	4.6	4.3	2.0	at centre
2.5	2.6	7.2	6.6	6.2	2.2	0.5 Lux min
4.0	1.9	7.4	6.7	6.4	1.7	open

OPTIONS

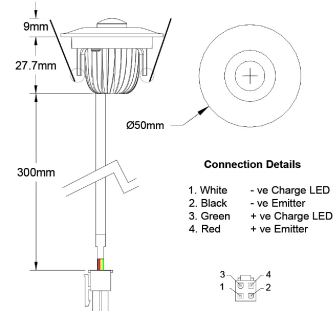
Fitting:	Light Source:	Wattage:	Colour:
FLUSHLITE	LED	8W	WH
Options:			
Trim Colour Options:			
White (WH)			
Self Adhesive Legend Kit.			

DSMD OA

EMERGENCY



LINE DRAWING



LED recessed Non-Maintained emergency downlight with batteries, driver and bicolour charge indicator. Open Area lens designed to distribute light evenly across open areas. 3W high output LED. Designed to fit through 43mm aperture.

TECHNICAL SPECIFICATIONS

Light Source:	3W LED Edison EDEW
Series Mains Input:	230-240V AC 50/60 Hz
Emergency Duration:	3 hours
Battery Type:	3.6V 4.5Ah Nickel Cadmium
Charger:	200mA Constant Current
Recharge Time:	24 Hours
Discharge Current:	Nominal 1000mA
Cut-Off Voltage:	3.0 Volts
Temperature Rating:	25°C Ambient
Beam Angle:	110°

Spacing Table at 700mA

Mounting Height (m)	Distance to wall		Distance between fittings	
	0.5	1.0	0.5	1.0
2.5	3.9	3.6	8.2	7.6
3.0	4.5	4.1	9.4	8.7
4.0	5.5	4.8	11.8	10.9
5.0	6.4	5.0	14.0	12.6
4.0	6.9	3.1	16.0	13.3
5.0	6.0	-	18.9	8.5

OPTIONS

Fitting:	Light Source:	Wattage:	Colour:
DSMD OA	LED	3W	WH
Options:			
Function Options:			
3HR Emergency (M3), Self-Test (ST), DALI (DA).			

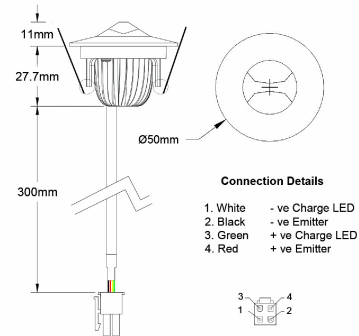
DSMD CO

EMERGENCY



LED recessed Non-Maintained emergency downlight with batteries, driver and bicolour charge indicator. Corridor lens designed to distribute light along narrow walkways or escape routes. 3W high output LED. Designed to fit through 43mm aperture.

LINE DRAWING



TECHNICAL SPECIFICATIONS

Light Source:	3W LED Edison EDEW
Series Mains Input:	230-240V AC 50/60 Hz
Emergency Duration:	3 hours
Battery Type:	3.6V 4.5Ah Nickel Cadmium
Charger:	200mA Constant Current
Recharge Time:	24 Hours
Discharge Current:	Nominal 1000mA
Cut-Off Voltage:	3.0 Volts
Temperature Rating:	25°C Ambient
Beam Angle:	125° x 50°

Spacing Table at 700mA

Mounting Height (m)	Along Corridor (Length)			
	Distance to wall		Distance between fittings	
	0.5	1.0	0.5	1.0
2.5	5.2	4.6	11.9	10.2
3.0	5.8	5.1	13.1	11.4
4.0	6.9	5.8	15.6	13.7
5.0	7.9	5.0	18.0	15.5
6.0	8.3	4.2	20.1	15.5
8.0	6.5	-	21.9	12.7

Mounting Height (m)	Across Corridor (Width)			
	0.5	1.0	0.5	1.0
	2.5	2.8	1.9	7.2
3.0	2.6	2.1	7.6	5.1
4.0	2.8	2.2	7.4	5.4
5.0	3.1	2.1	7.3	6.0
6.0	3.1	1.9	8.0	6.0
8.0	2.8	-	8.6	5.4

OPTIONS

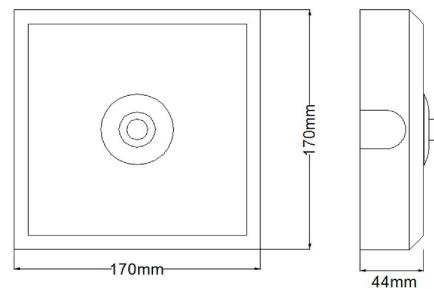
Fitting:	Light Source:	Wattage:	Colour:
DSMD CO	LED	3W	WH
Options:			
Function Options:			
3HR Emergency (M3), Self-Test (ST), DALI (DA).			

CCMD S OA

EMERGENCY



LINE DRAWING



A compact 3W self contained square emergency lighting LED luminaire complete with non-maintained emergency control module and battery housed in steel casing. With open area lens designed to distribute light evenly across open areas. 3W high output LED.

TECHNICAL SPECIFICATIONS

Light Source:	3W LED Edison EDEW
Series Mains Input:	230-240V AC 50/60 Hz
Emergency Duration:	3 hours
Battery Type:	3.6V 4.5Ah Nickel Cadmium
Charger:	200mA Constant Current
Recharge Time:	24 Hours
Discharge Current:	Nominal 1000mA
Cut-Off Voltage:	3.0 Volts
Temperature Rating:	25°C Ambient
Beam Angle:	110°

Spacing Table at 700mA

Mounting Height (m)	Distance to wall		Distance between fittings	
	0.5	1.0	0.5	1.0
2.5	3.9	3.6	8.2	7.6
3.0	4.5	4.1	9.4	8.7
4.0	5.5	4.8	11.8	10.9
5.0	6.4	5.0	14.0	12.6
4.0	6.9	3.1	16.0	13.3
5.0	6.0	-	18.9	8.5

OPTIONS

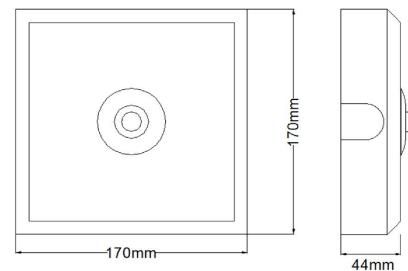
Fitting:	Light Source:	Wattage:	Colour:
CCMD S OA	LED	3W	WH
Options:			
Function Options:			
3HR Emergency (M3), Self-Test (ST), DALI (DA).			
RAL Colour Available			

CCMD S CO

EMERGENCY



LINE DRAWING



A compact 3W self contained square emergency lighting LED luminaire complete with non-maintained emergency control module and battery housed in steel casing. With Corridor lens designed to distribute light along narrow walkways or escape routes. 3W high output LED.

TECHNICAL SPECIFICATIONS

Light Source:	3W LED Edison EDEW
Series Mains Input:	230-240V AC 50/60 Hz
Emergency Duration:	3 hours
Battery Type:	3.6V 4.5Ah Nickel Cadmium
Charger:	200mA Constant Current
Recharge Time:	24 Hours
Discharge Current:	Nominal 1000mA
Cut-Off Voltage:	3.0 Volts
Temperature Rating:	25°C Ambient
Beam Angle:	125° x 50°

Spacing Table at 700mA

Mounting Height (m)	Along Corridor (Length)			
	Distance to wall		Distance between fittings	
	0.5	1.0	0.5	1.0
2.5	5.2	4.6	11.9	10.2
3.0	5.8	5.1	13.1	11.4
4.0	6.9	5.8	15.6	13.7
5.0	7.9	5.0	18.0	15.5
6.0	8.3	4.2	20.1	15.5
8.0	6.5	-	21.9	12.7
Mounting Height (m)	Across Corridor (Width)			
	0.5	1.0	0.5	1.0
	2.5	2.8	1.9	7.2
3.0	2.6	2.1	7.6	5.1
4.0	2.8	2.2	7.4	5.4
5.0	3.1	2.1	7.3	6.0
6.0	3.1	1.9	8.0	6.0
8.0	2.8	-	8.6	5.4

OPTIONS

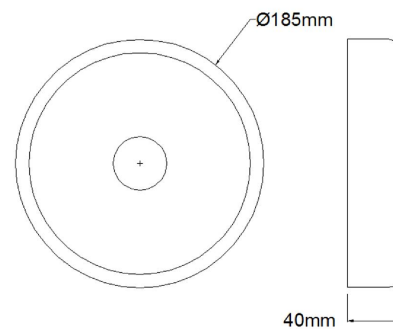
Fitting:	Light Source:	Wattage:	Colour:
CCMD S CO	LED	3W	WH
Options:			
Function Options:			
3HR Emergency (M3), Self-Test (ST), DALI (DA).			
RAL Colour Available			

CCMD R OA

EMERGENCY



LINE DRAWING



A compact 3W self contained circular emergency lighting LED luminaire complete with non-maintained emergency control module and battery housed in steel casing. With open area lens designed to distribute light evenly across open areas. 3W high output LED.

TECHNICAL SPECIFICATIONS

Light Source:	3W LED Edison EDEW
Series Mains Input:	230-240V AC 50/60 Hz
Emergency Duration:	3 hours
Battery Type:	3.6V 4.5Ah Nickel Cadmium
Charger:	200mA Constant Current
Recharge Time:	24 Hours
Discharge Current:	Nominal 1000mA
Cut-Off Voltage:	3.0 Volts
Temperature Rating:	25°C Ambient
Beam Angle:	110°

Spacing Table at 700mA

Mounting Height (m)	Distance to wall		Distance between fittings	
	0.5	1.0	0.5	1.0
2.5	3.9	3.6	8.2	7.6
3.0	4.5	4.1	9.4	8.7
4.0	5.5	4.8	11.8	10.9
5.0	6.4	5.0	14.0	12.6
4.0	6.9	3.1	16.0	13.3
5.0	6.0	-	18.9	8.5

OPTIONS

Fitting:	Light Source:	Wattage:	Colour:
CCMD R OA	LED	3W	WH
Options:			
Function Options:			
3HR Emergency (M3), Self-Test (ST), DALI (DA).			
RAL Colour Available			

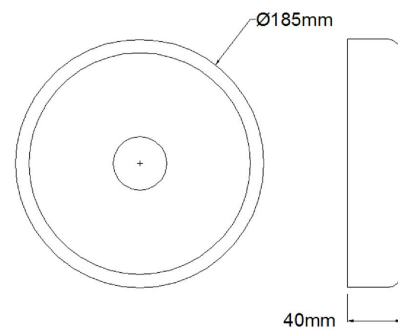
CCMD R CO

EMERGENCY

A compact 3W self contained circular emergency lighting LED luminaire complete with non-maintained emergency control module and battery housed in steel casing. With Corridor lens designed to distribute light along narrow walkways or escape routes. 3W high output LED.



LINE DRAWING



TECHNICAL SPECIFICATIONS

Light Source:	3W LED Edison EDEW
Series Mains Input:	230-240V AC 50/60 Hz
Emergency Duration:	3 hours
Battery Type:	3.6V 4.5Ah Nickel Cadmium
Charger:	200mA Constant Current
Recharge Time:	24 Hours
Discharge Current:	Nominal 1000mA
Cut-Off Voltage:	3.0 Volts
Temperature Rating:	25°C Ambient
Beam Angle:	125° x 50°

Spacing Table at 700mA

Mounting Height (m)	Along Corridor (Length)			
	Distance to wall		Distance between fittings	
	0.5	1.0	0.5	1.0
2.5	5.2	4.6	11.9	10.2
3.0	5.8	5.1	13.1	11.4
4.0	6.9	5.8	15.6	13.7
5.0	7.9	5.0	18.0	15.5
6.0	8.3	4.2	20.1	15.5
8.0	6.5	-	21.9	12.7
Mounting Height (m)	Across Corridor (Width)			
	0.5	1.0	0.5	1.0
	2.5	2.8	1.9	7.2
3.0	2.6	2.1	7.6	5.1
4.0	2.8	2.2	7.4	5.4
5.0	3.1	2.1	7.3	6.0
6.0	3.1	1.9	8.0	6.0
8.0	2.8	-	8.6	5.4

OPTIONS

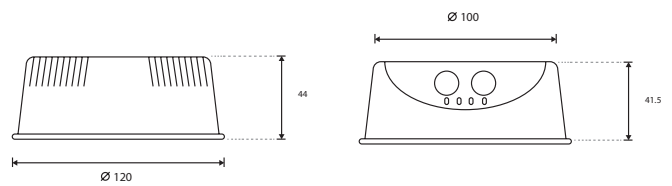
Fitting:	Light Source:	Wattage:	Colour:
CCMD R CO	LED	3W	WH
Options:			
Function Options:			
3HR Emergency (M3), Self-Test (ST), DALI (DA).			
RAL Colour Available			

XYLUX LD3

EMERGENCY



LINE DRAWING



A self-contained LED non-maintained emergency luminaire incorporating an LED module and battery pack. Built into the system is a deep discharge protection circuit for use with 3.6V 1.7Ah NiMH battery pack. The unit can be surface mounted or recessed into a 105mm-110mm cut out using mounting brackets provided.

TECHNICAL SPECIFICATIONS

Light Source:	3W LED Edison EDEW
Series Mains Input:	230-240V AC 50/60 Hz
Emergency Duration:	3 hours
Battery Type:	3.6V 4.5Ah Nickel Cadmium
Charger:	100mA Constant Current
Recharge Time:	16 Hours
Emergency Output:	56 Lumens
Cut-Off Voltage:	3.0 Volts
Temperature Rating:	35°C Ambient
Beam Angle:	110°

Distance table for even escape routes

Mounting Height (m)	Wall to Trans	Trans to Trans	Axial to Trans	Axial to Axial	Axial to Wall
2.0	2.07	4.68	4.68	4.68	2.07
2.5	2.33	5.49	5.49	5.49	2.33
3.0	2.43	6.17	6.17	6.17	2.43
3.5	2.27	6.64	6.64	6.64	2.27
4.0	1.95	6.92	6.92	6.92	1.95

OPTIONS

Fitting:	Light Source:	Wattage:	Colour:
XYLUX LD3	LED	3W	WH
Options:			
Function Options:			
3HR Emergency (M3), Self-Test (ST), DALI (DA).			

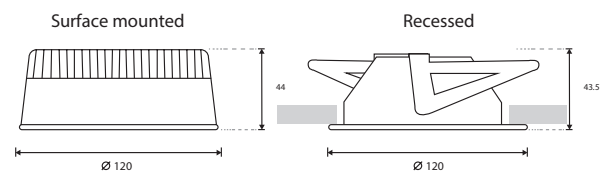
XYLUX LD5

EMERGENCY



A compact 3W self contained square emergency lighting LED luminaire complete with non-maintained emergency control module and battery housed in steel casing. With snap corridor and open area lenses. 3W high output LED.

LINE DRAWING



TECHNICAL SPECIFICATIONS

Light Source:	3W LED
Series Mains Input:	230-240V AC 50/60 Hz
Emergency Duration:	3 hours
Battery Type:	3.6V 4.5Ah Nickel Cadmium
Charger:	100mA Constant Current
Recharge Time:	16 Hours
Emergency Output:	56 Lumens
Temperature Rating:	35°C Ambient

Spacing information
Open area (based on 0.5 Lux)

Mounting Height (m)	Luminaire to Luminaire (m)	Luminaire to Wall (m)
2.0	6.31	3.25
2.5	7.22	3.72
3.0	8.47	4.09
3.5	9.14	4.42
4.0	9.39	4.55

Spacing information
Corridor (based on 1.0 Lux)

Mounting Height (m)	Luminaire to Luminaire (m)	Luminaire to Wall (m)
2.0	7.04	2.97
2.5	7.90	3.20
3.0	8.63	3.45
3.5	9.20	3.75
4.0	9.65	4.00

OPTIONS

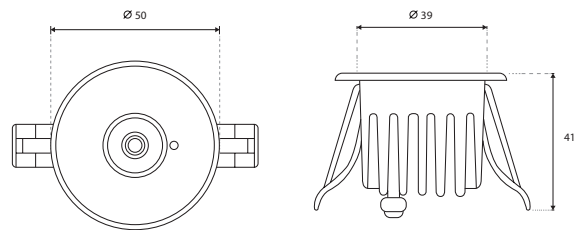
Fitting:	Light Source:	Wattage:	Colour:
XYLUX LD5	LED	3W	WH
Options:			
Function Options:			
3HR Emergency (M3), Self-Test (ST), DALI (DA).			

XYLUX LR

EMERGENCY



LINE DRAWING



Flexible 3 Hour non-maintained emergency LED luminaire. High performance 3 watt single white LED. Inbuilt reflector designed to achieve maximum output. Complete with Bi-Colour LED charge indicator, 500mm wiring loom and recessed mounting brackets.

TECHNICAL SPECIFICATIONS

Light Source:	3W LED
Series Mains Input:	230-240V AC 50/60 Hz
Emergency Duration:	3 hours
Battery Type:	3.6V 4.5Ah Nickel Cadmium
Charger:	160mA Constant Current
Recharge Time:	16 Hours
Emergency Output:	150 Lumens
Temperature Rating:	0°C to +35°C Ambient

Spacing information Open area (based on 0.5 Lux)

Mounting Height (m)	Luminaire to Luminaire (m)	Luminaire to Wall (m)
2.0	5.37	2.48
2.5	5.94	3.34
3.0	6.69	3.34
3.5	7.15	3.72
4.0	8.01	3.96

Spacing information Corridor (based on 1.0 Lux)

Mounting Height (m)	Luminaire to Luminaire (m)	Luminaire to Wall (m)
2.0	6.06	2.65
2.5	7.02	3.09
3.0	7.92	3.33
3.5	8.70	3.62
4.0	9.36	3.73

OPTIONS

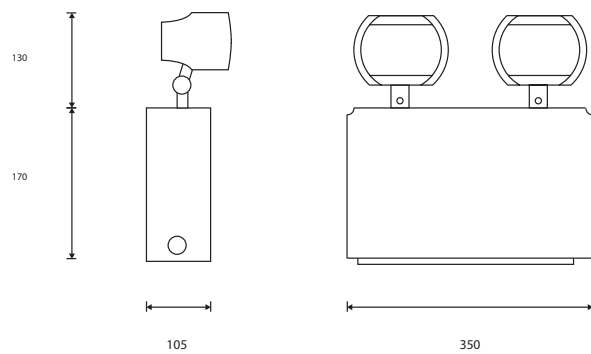
Fitting:	Light Source:	Wattage:	Colour:
XYLUX LR	LED	3W	WH
Options:			
Function Options:			
3HR Emergency (M3), Self-Test (ST), DALI (DA).			

TWINSPOT

EMERGENCY



LINE DRAWING



Choice of Stainless Steel or polycarbonate enclosure rated IP65. Simple and effective emergency lighting from robust high intensity projectors. Available for indoor or exterior installations and a choice of glass or polycarbonate lenses. Projector heads are also available separately for remote mounting.

TECHNICAL SPECIFICATIONS

Input Voltage:	221-240V AC 50/60 Hz
Lamp:	2 x 20W TH or 2 x 55W TH
Supply Current:	Non-Maintained 80mA
Emergency Duration:	3 Hours
Recharge Time:	24 Hours

OPTIONS

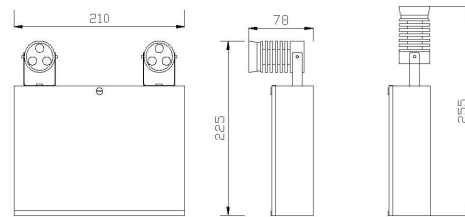
Fitting:	Light Source:	Wattage:	Colour:
TWINSPOT	TH	20/55W	WH
Options:			
2X 20W Non-Maintained 3HR Emergency			
2X 55W Non-Maintained 1HR Emergency			
IP65 Weatherproof IP65 Rated Enclosure			
WG Wire Guard			
RM Remote Mounting			

TWINSPOT LED

EMERGENCY



LINE DRAWING



Twin LED Spot. 3HR Emergency Luminaire. Twin 3 Watt LED head designed to provide emergency lighting solution for wide range of applications.

TECHNICAL SPECIFICATIONS

Input Voltage:	221-240V AC 50/60 Hz
Power Rating:	4.4W
Light Source:	6 x 1W Edison LEDs
Lumen Output:	160 Lumens
Emergency Duration:	3 Hours
Temperature Rating:	25°C Ambient
Battery Type:	7.2V 4.5Ah Nickel Cadmium
Charger:	200mA Constant Current
Temperature Rating:	0°C to +35°C Ambient
Recharge Time:	24 Hours
Discharge Current:	Nominal 1100mA
Cut-Off Voltage:	6.0 Volts

Spacing Table

Mounting Height (m)	Distance to wall		Distance between fittings	
	0.5	1.0	0.5	1.0
2.5	2.5	2.2	5.9	4.7
3.0	2.7	2.5	6.0	5.3
4.0	3.4	3.1	7.2	6.6
5.0	4.0	3.6	8.5	7.9
6.0	4.6	4.0	9.8	9.0
8.0	5.5	4.3	12.2	10.8

OPTIONS

Fitting:	Light Source:	Wattage:	Colour:
Twinspot	LED	6W	WH/BL
Options:			
Colour Options:			
White (WH), Black (BL)			

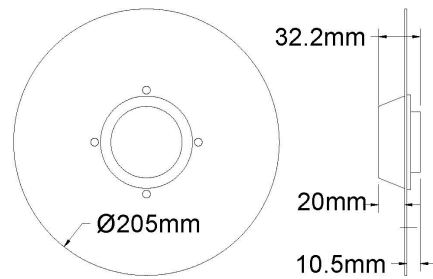
COCO 2DR

EMERGENCY



LED Retrofit replacement for 28W 2D lamp. Circular LED Plate will run 36 LED Chips in mains function with additional 8 LED chips added for emergency option for 3HR emergency function. Built in mains driver. Emergency option comes complete with Bi-Colour Charge indicator.

LINE DRAWING



TECHNICAL SPECIFICATIONS

Mains Supply:	230-240V AC 50/60Hz
Power Rating:	14.5W
Emergency Power:	3W
Light Source:	LED 36 x Samsung SPMH
Beam Angle:	120°
Colour Temperature:	4000K
Lumen Output:	1314 Lm
Colour Rendering:	84CRI
Emergency Output:	235 Lm

OPTIONS

Fitting:	Light Source:	Wattage:	Colour:
COCO 2DR	LED	14.5W	WH
Options:			
Emergency			

MMB

EMERGENCY



3HR Emergency pack for Mains Voltage GU10 LED Retrofit lamps up to 10W. Pack automatically adjust output to provide maximum lumen output whilst maintaining full 3HR duration. Split pack designed to fit through 52mm aperture. Pack comes with 1M LED charge indicator.

TECHNICAL SPECIFICATIONS

Input Voltage:	221-240V AC 50/60 Hz	Module:	230mm x 40mm x 35mm
Power Rating:	4.4W	Battery Pack:	35mm x 720mm
Light Source:	6 x 1W Edison LEDs	Weight:	2.6Kg
Lumen Output:	160 Lumens		
Emergency Duration:	3 Hours		
Temperature Rating:	25°C Ambient		
Battery Type:	7.2V 4.5Ah Nickel Cadmium		
Charger:	200mA Constant Current		
Temperature Rating:	0°C to +35°C Ambient		
Recharge Time:	24 Hours		
Discharge Current:	Nominal 1100mA		
Cut-Off Voltage:	6.0 Volts		

OPTIONS

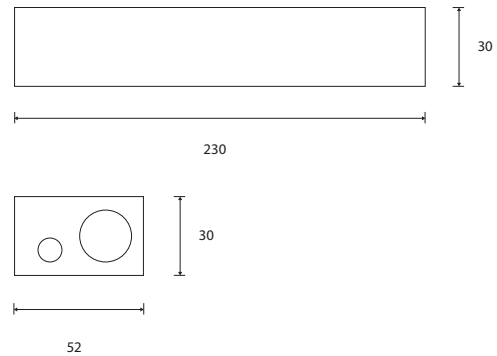
Fitting:	Light Source:	Wattage:	Colour:
MMB	-	-	-

COCO3 TP60

EMERGENCY



LINE DRAWING



3 Hour emergency remote conversion pack fitted with a 4 way fused terminal block for mains input connections and cables for connecting to the existing mains LED driver & load. The pack is designed to suit a very wide range of LED types and circuits by automatically adjusting the output LED current to provide the best match between the battery and the load, providing maximum illumination whilst ensuring battery duration.

TECHNICAL SPECIFICATIONS

Mains Supply:	230-240V AC 50/60Hz
Power Rating:	22mA
Duration:	3HR
Recharge Period:	24HR
Battery:	3.6V 4.0Ah NiCd Cells
Charge Current:	200mA Nom
Battery Current Limit:	1100mA

OPTIONS

Fitting:	Light Source:	Wattage:	Colour:
COCO3 TP60	LED	-	WH
Options:			
Function Options:			
3HR Emergency (M3), Self-Test (ST), DALI (DA)			