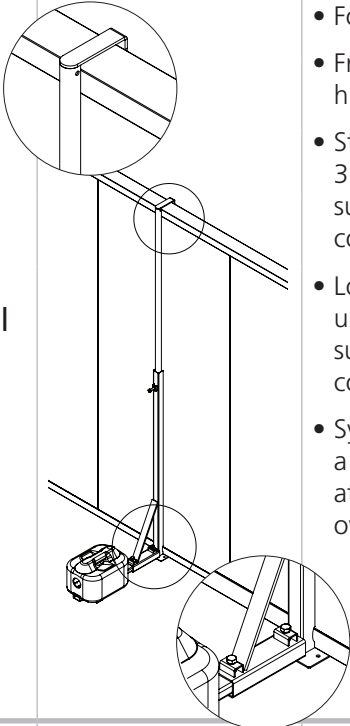
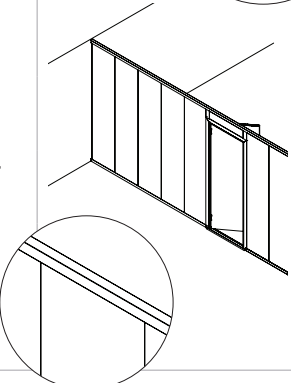


SUPPORT OPTIONS

The Hoardfast Firescreen system is available with free-standing universal support up to 3.1m or can be fixed floor-to-ceiling up to 4.5m.

SUPPORT TYPE	SUPPORT SPECIFICATION	USED WITH: PANEL	USED WITHS: PANEL HEIGHT
Universal (free-standing) 	<ul style="list-style-type: none"> • For maximum stability • Free-standing up to 3.1m high • Standard: allows up to 3 x 16kg weights per support (Protrudes 645mm construction side) • Long: will accommodate up to 6 x 16kg weights per support (Protrudes 900mm construction side) • System secured at base using a hooked in u-channel and at the top using a hooked over pole 	Standard PVC	2.25m / 2.7m / 3m
		Soundscreen	2.25m / 2.7m / 3.1m
		Firescreen	2.25m / 2.7m / 3.1m
		Flamescreen	2.25m / 2.7m
Floor-to-ceiling 	<ul style="list-style-type: none"> • Floor-to-ceiling fixed solution up to 4.5m high • Installed using supplied u-channels 	Budget PVC	2.7m / 3.5m / 4.8m
		Standard PVC	2.25m / 2.7m / 3m / 4m / 5m
		Soundscreen	2.25m / 2.7m / 3.1m
		Firescreen	2.25m / 2.7m / 3.1m / 3.5m / 4m / 4.5m
		Flamescreen	2.25m / 2.7m / 3.5m

This fact sheet is for illustrative purposes only and based on the latest information at the time of print. Installation methods may vary depending on specific project requirements. Westgate reserve the right to make changes at any time without notice.