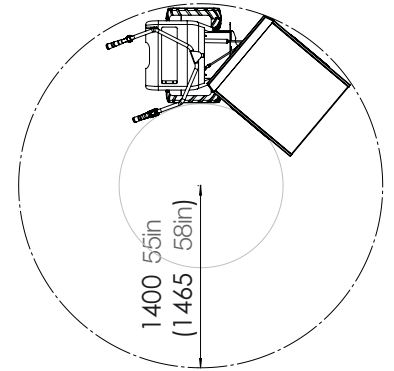
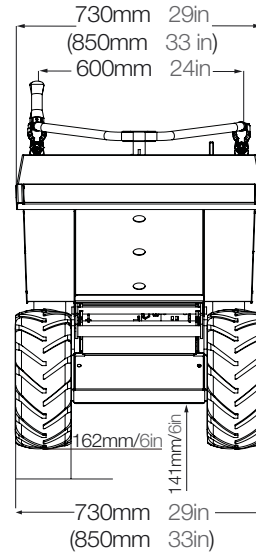
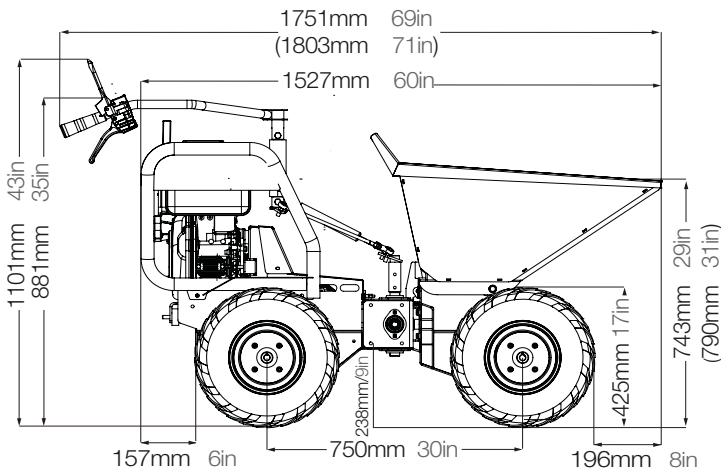


BENDie TRUX 4x4 TA



Dimensions B300 BENDie (B450 BENDie)

Specifications

B300 BENDie				B450 BENDie					
Model	Petrol B300G	Diesel B300D	Electric B300E	Model	Petrol B450G	Diesel B450D	Electric B450E		
Engine/Motor/Power (kW)/hp	Honda GX 160 (3.6) 4.8	Yanmar L48 (3.5) 4.7	DC Brushless Motor 1000W/24v	Engine/Motor/Power (kW)/hp	Honda GX 200 (4.1) 5.5	Yanmar L48 (3.5) 4.7	DC Brushless Motor 1300W/24v		
Fuel Type	Unleaded Petrol (4 stroke)	Diesel	2 x 12v AGM Batteries	Fuel Type	Unleaded Petrol (4 stroke)	Diesel	2 x 12v AGM Batteries		
Fuel Capacity	Litres	3.1	2.5	Fuel Capacity	Litres	3.1	2.5		
	Gals	0.682	0.55		Gals	0.682	0.55		
Max Payload	300kg/660lbs / 7ft ³ / 0.2m ³			Max Payload	450kg/990lbs 10.6ft ³ / 0.3m ³				
Unladen Weight	kg	170	201	224	Unladen Weight	kg	180	219	255
	lbs	374	442	493		lbs	396	482	561
Working Gradient	25°	25°	25°	Working Gradient	25°	25°	25°		
Drive & Controls	Hydrostatic System		24v Motor Gearbox	Drive & Controls	Hydrostatic System		24v Motor Gearbox		
Brake System	Hydrostatic brake system with fail-safe dead-man handle			Brake System	Hydrostatic brake system with fail-safe dead-man handle				
Standard Fitment Tyres	Flotation with option for turf tyres			Standard Fitment Tyres	Flotation with option for turf tyres				
Forward Travel	0-4 mph / 6.444 kph		0-3.5 mph / 5.63 kph	Forward Travel	0-4 mph / 6.444 kph		0-3.5 mph / 5.63 kph		
Reverse Travel	0-1.5 mph / 2.42 kph		0-1.5 mph 2.42 kph	Reverse Travel	0-1.5 mph / 2.42 kph		0-1.5 mph 2.42 kph		
Noise Level (db)	< 96	< 100	< 69	Noise Level	< 96	< 100	< 69		
Hand Arm Vibration	3.6 m/s ²	3.8 m/s ²	2.5 m/s ²	Hand Arm Vibration	4.6 m/s ²	3.8 m/s ²	2.5 m/s ²		

A 12 month warranty is applicable on all Tuffruk machines.

We reserve the right to change specification without prior notice.

1/2019