



Aberlink

Creating Innovative Metrology Solutions

Aberlink Innovative Metrology is the largest UK-owned manufacturer of coordinate measuring machines, vision measuring systems and measurement software.

From our headquarters in Eastcombe, Gloucestershire, England we are engaged in every aspect of providing industry with innovative metrology products that are reliable, cost effective and above all easy to use. Through our distributor network in over 40 countries worldwide we provide all sectors of manufacturing with world class sales and aftercare service.

Incorporated in 1993, Aberlink has an impressive record of growth founded on innovation. This has been the background for all our patent protected product development over the last 20+ years with the tagline 'Innovative Metrology' firmly at the heart of company philosophy.

Aberlink always view things from a customer perspective and our revolutionary Aberlink 3D measurement software has become the industry standard for ease of use. It is not only intuitive and simple to learn, but also extremely powerful and is ideal for either the occasional user or metrology professional alike.

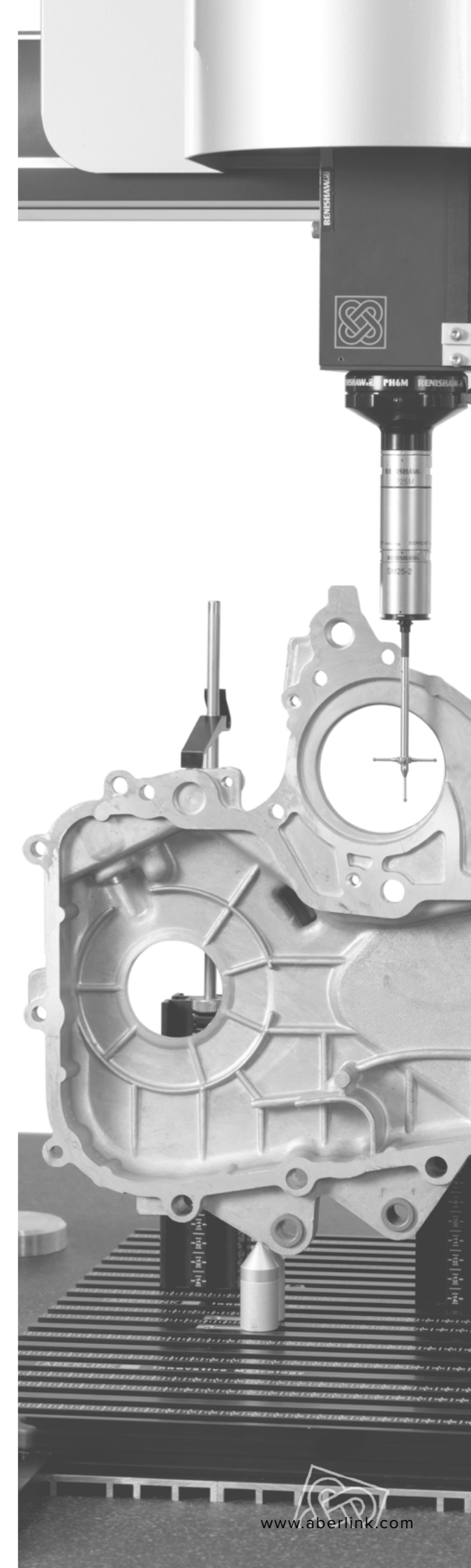
Our products and services also provide our customers with remarkable value for money. This has been achieved by producing a fully self-contained business model from day one. Because we machine all the components for the machines ourselves, we understand the manufacturing process fully, and clever design-for-manufacture ensures simple and reliable products with no redundant costs. All assembly of the machines is performed on-site in Gloucestershire, where the software is also written in-house. We are a fully integrated company with minimal external costs and that is why we are able to offer the amazing value for which Aberlink has become renowned throughout the world.

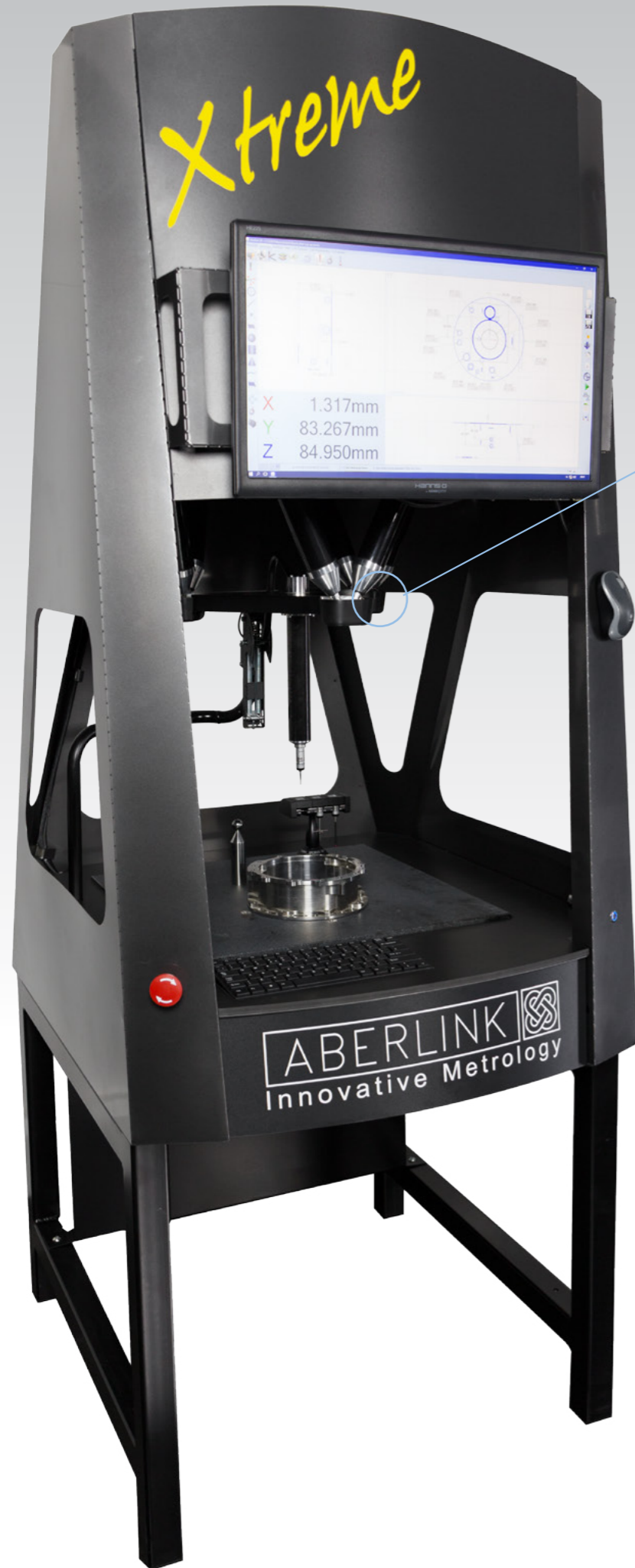
You really need to see our products demonstrated to appreciate just how easy they are to use. Visit our website www.aberlink.com to find your local demonstration facility.



Table of Contents

Xtreme	4-5
Non-cartesian CNC CMM	
Axiom too	6-7
Manual or CNC Shop Floor CMM	
Axiom too HS	8-9
High Spec CNC Shop Floor CMM	
Zenith 3	10-11
Medium-sized Shop Floor CNC CMM	
Azimuth	12-13
High Accuracy, Large Volume CNC CMM	
Probe Options	14-15
Common Probe and Probe Head Options	
Aberlink 3D	16-17
Revolutionary 3D Measurement Software	
CAD Software Modules	18-19
CAD Comparison and Programming from CAD	
Camera and Vision Module	20
Non-contact Inspection	
Project X	21
Advanced Non-contact Vision System	
Accessories	22-23
CMM Accessories and Machine Options	





Robust design utilising linear motors and mechanical bearings.

XTREME

CMM ACCURACY WHEREVER YOU NEED IT

Designed using a non-Cartesian structure and utilising linear motors and mechanical bearings, as its name implies, the Xtreme CNC CMM provides a robust solution for providing precision inspection results. The unique CMM's advantageous configuration ensures that it maintains its accuracy at very fast measurement rates and does not suffer from the accumulative inaccuracies that occur in conventional 3-axis Cartesian designs.

The Xtreme is a self-contained inspection unit. It has no air bearings, so no requirement for compressed air – just plug it in and go. Built-in temperature control and a compact footprint allow the Xtreme to be placed wherever it is needed.

Another unique advantage of the Xtreme is that all of the struts are temperature controlled to operate above ambient air temperature. This means that the measurement accuracy is maintained even when the surrounding environment is not temperature controlled.

The innovative Xtreme CMM is an evolution of CMM technology. However, it is the price of this machine that is the primary reason why the new Xtreme has had such a significant effect on the market.

Key Features:

- No compressed air required - the Xtreme is 'plug and go'
- Built-in temperature control - accuracy is maintained even when ambient temperature is not controlled
- Aberlink's revolutionary easy-to-use measurement software
- Shortest learning curve of any equivalent system - 1 day without prior CMM experience
- Smallest overall footprint of any comparable size CMM
- The Xtreme's mechanical bearings mean that it is robust, so ideal for less than perfect environments

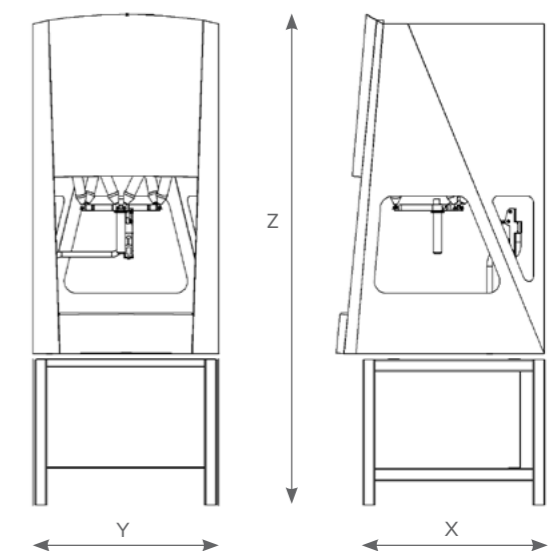
Machine Options:

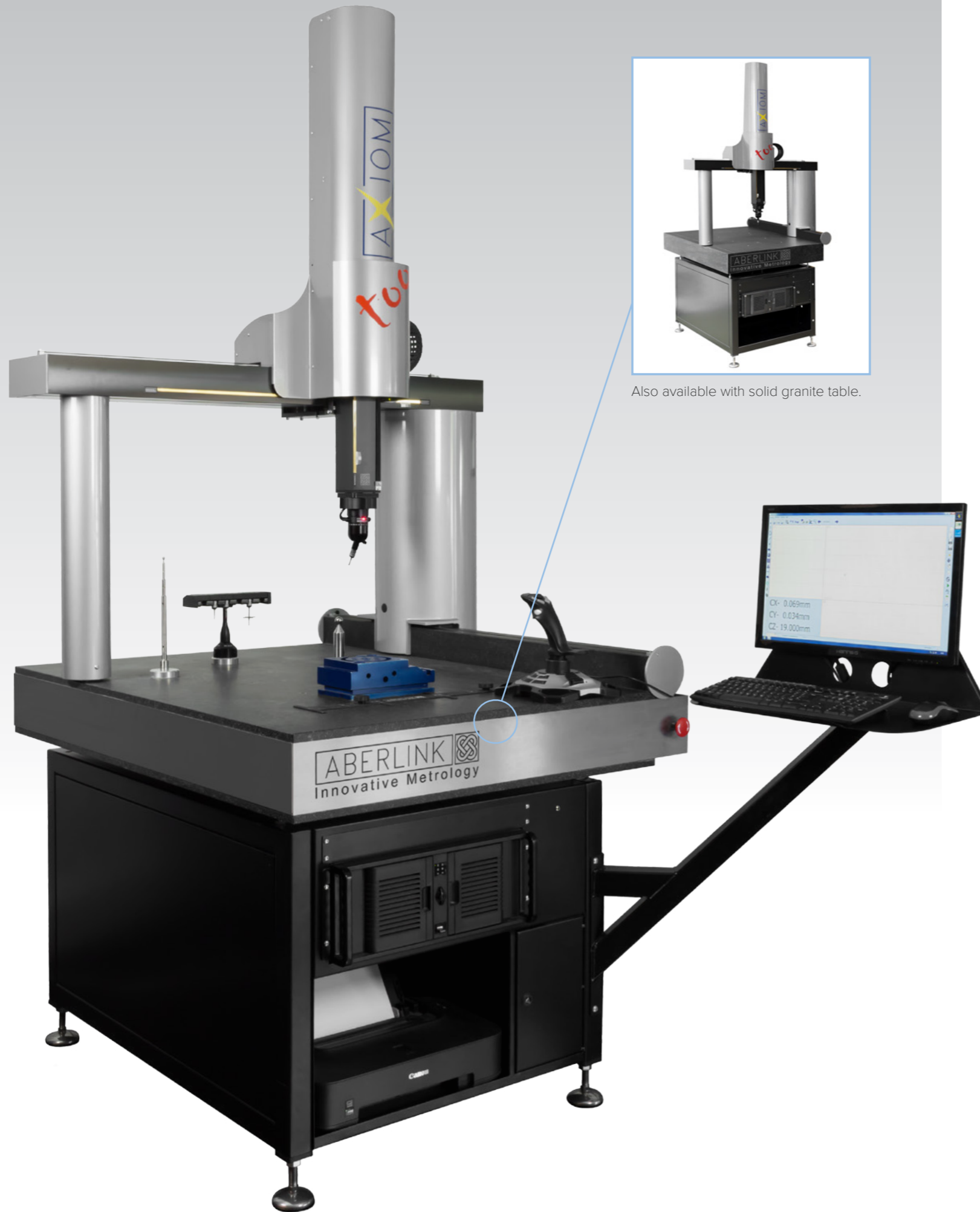
- 3-Port Auto-change Rack & TP20 Stylus Module
- Fixture Kit



Technical Information:

Axis Travel (mm)	X 300 Y 300 Z 200
Overall Size (mm)	X 770 Y 860 Z 2025 (when on bench)
Volumetric Accuracy:	(3 + 0.4L/100) μ m
Scale Resolution:	0.5 μ m
Operational Temp Range:	0 - 45°C
Table:	Solid granite plate
Max. Velocity Vector:	750mm/sec
Max. Acceleration Vector:	750mm/sec ²
Air Consumption:	None
Required Air Pressure:	Not required





Also available with solid granite table.

AXIOM TOO

THE COMPLETE INSPECTION SYSTEM

Fast, accurate and reliable, the Axiom too CMM comes in four different sizes with Y axis travel up to 1500mm. Available as either a manual machine or with full CNC control, the Axiom too can be used with touch trigger probe, continuous contact scanning probe or with Aberlink's revolutionary non-contact camera system.

The all aluminium bridge structure not only ensures that the Axiom too has low inertia and hence high acceleration to get the job done quickly, but also that the temperature of the machine rapidly follows the temperature of the room, ideal when the CMM is not housed in a controlled environment. Temperature compensation in the software reports results as if they had been measured at 20°C/68°F.

The standard high-tech granite and aluminium table, originally developed for the optics industry, provides fantastic natural damping of high frequency vibration and the granite Y rail allows pre-loading of the bridge air bearings in both directions for superior accuracy.

Another unique feature of the Axiom too is that manual machines can be easily upgraded to CNC at any point in the future, which is great if you are not sure of your requirement or perhaps can't initially justify the additional cost of a CNC machine.

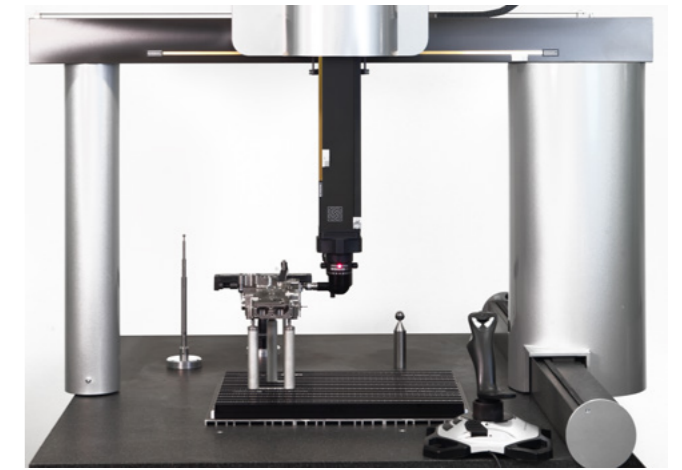
Because of Aberlink's fully integrated manufacturing processes, the Axiom too offers unbelievable value, but above all it is easy to use. Aberlink 3D measurement software is way out on its own as the market leader for ease-of-use, perfect for both occasional user and also metrology professional alike.

Key Features:

- Shortest learning curve of any equivalent system
- Smallest overall footprint of any comparable size CMM
- Choice of Y axis sizes ranging from 600mm to 1500mm
- Suitable for the workshop environment
- Protection from environmental vibrations as standard
- Optimised friction free air bearings, all aluminium bridge and granite table

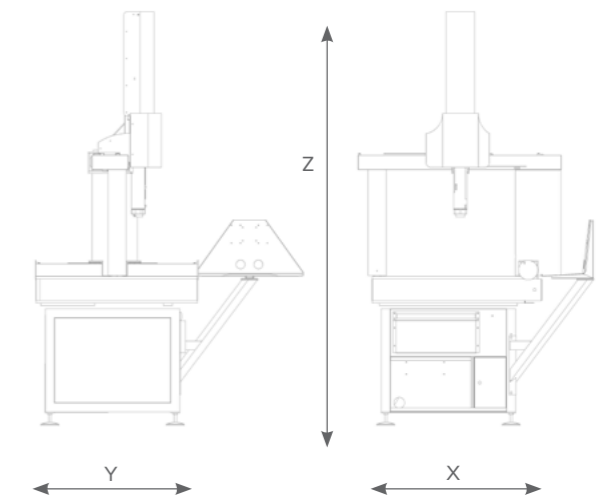
Common Probe Options: Machine Options:

- MH20i
- RTP20
- PH10T (w/TP20, TP200)
- PH20
- PH10M (w/SP25)
- PH6M (w/SP25)
- Automatic Temperature Compensation
- Touch Screen Joystick
- CCD Camera System
- Collimated Back Light Option



Technical Information:

Axis Travel (mm)	X 640 Y 600, 900, 1200, 1500 Z 500
Overall Size (mm)	X 1130 Y 900, 1200, 1500, 1800 Z 2320
*Volumetric Accuracy:	TP20 (2.4 + 0.4L/100) μm TP200 (2.3 + 0.4L/100) μm SP25M (2.1 + 0.4L/100) μm
Scale Resolution:	0.5μm
**Optimum Temp Range:	18 - 22°C
Operational Temp Range:	0 - 45°C
Table:	Honeycomb aluminium & granite or solid granite
Table Load Capacity:	300kg (Honeycomb) or 500kg (Solid)
Max. Velocity Vector:	600mm/sec
Max. Acceleration Vector:	600mm/sec ²
Air Consumption:	50 l/min (1.8 cfm)
Required Air Pressure:	4 bar (60 psi)



*Maximum Permissible Error MPE_E according to 10360-2, 2009 within the thermal limits defined for optimum temperature range.

**Installation environment thermal limits:
Rate of change <math><1^\circ\text{C/hr}</math> and <math><2^\circ\text{C/24hr}</math> | Temperature gradient <math><1^\circ\text{C/m}</math>



0.1µm resolution scales fitted as standard.

AXIOM TOO HS

ELIMINATE INSPECTION BOTTLENECKS

Since 2004 the Axiom too CMM has been providing manufacturing industry with a fast and accurate solution for their measurement problems. But, as ever, Aberlink are continually striving to improve the solutions which they offer. The Axiom too HS is both faster and more accurate than the standard model, and all without compromising the fantastic value for money for which Aberlink have become renowned.

Rather than using the belt drive system, the Axiom too HS incorporates drive rod technology developed on our larger machines and vision products. This allows even greater accelerations to be achieved meaning that the HS model measures approximately 20% quicker than the standard variant – ideal for high volume measurement.

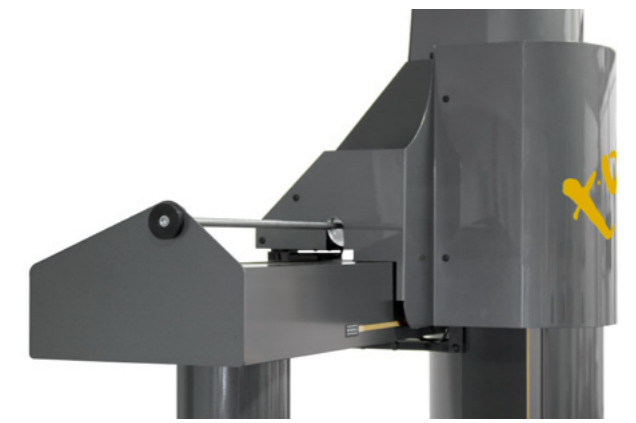
The Axiom too HS also utilises 0.1µm resolution scales on each axis. Incorporated with state-of-the-art error mapping techniques this means that the HS model is the most accurate machine ever produced by Aberlink – ideal when measuring tight tolerances.

Key Features:

- Fitted with 0.0001mm linear encoders for superior accuracy
- Angled bearing zero backlash drive system for quicker acceleration and faster travel
- Shortest learning curve of any equivalent system
- Choice of Y axis sizes ranging from 600mm to 1500mm
- Suitable for the workshop environment
- Optimised friction free air bearings, all aluminium bridge and granite table

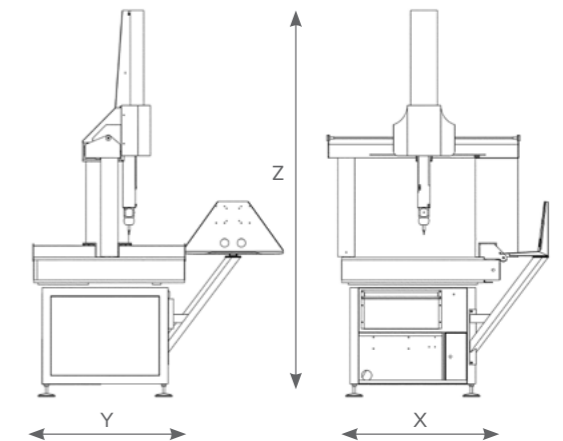
Common Probe Options: Machine Options:

- MH20i
- RTP20
- PH10T (w/TP20, TP200)
- PH20
- PH10M (w/SP25)
- PH6M (w/SP25)
- Automatic Temperature Compensation
- Touch Screen Joystick
- CCD Camera System
- Collimated Back Light Option



Technical Information:

Axis Travel (mm)	X 640 Y 600, 900, 1200, 1500 Z 500
Overall Size (mm)	X 1130 Y 900, 1200, 1500, 1800 Z 2320
*Volumetric Accuracy:	TP20 (2.1 + 0.4L/100) µm TP200 (2.0 + 0.4L/100) µm SP25M (1.8 + 0.4L/100) µm
Scale Resolution:	0.1µm
**Optimum Temp Range:	18 - 22°C
Operational Temp Range:	0 - 45°C
Table:	Honeycomb aluminium & granite or solid granite
Table Load Capacity:	300kg (Honeycomb) or 500kg (Solid)
Max. Velocity Vector:	866mm/sec
Max. Acceleration Vector:	1200mm/sec ²
Air Consumption:	50 l/min (1.8 cfm)
Required Air Pressure:	4 bar (60 psi)



*Maximum Permissible Error MPE_E according to 10360-2, 2009 within the thermal limits defined for optimum temperature range.

**Installation environment thermal limits:
Rate of change <math><1^\circ\text{C}/\text{hr}</math> and <math><2^\circ\text{C}/24\text{hr}</math> | Temperature gradient <math><1^\circ\text{C}/\text{m}</math>

ZENITH 3

LARGE, AFFORDABLE PRECISION

The Zenith 3 CNC CMM is the result of a design evolution of the award winning Zenith too range of machines. Many of the design improvements revolve around the right leg of the machine, which has been modelled on the hugely successful Azimuth machine.

Greater air bearing separation results in greater stiffness, and so has improved the accuracy significantly. The first term error for this new model is more than a micron better than the Zenith too.

All moving parts are light and this, combined with good design, means that the Zenith 3 has low inertia and therefore optimal acceleration characteristics. The improved Zenith is fast, minimising inspection times.

The Zenith 3 range is the best value-for-money for the measuring volume of any CMM available in the market - the perfect affordable metrology solution for big and heavy parts.

Key Features:

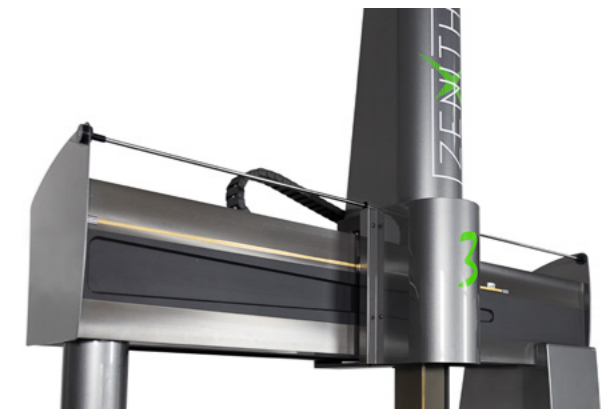
- Shortest learning curve of any equivalent system
- Smallest overall footprint of any comparable size CMM
- Choice of Y axis sizes ranging from 1000mm to 3000mm
- Suitable for the workshop environment
- Protection from environmental vibrations as standard
- Optimised friction free air bearings, all aluminium bridge and granite table

Common Probe Options:

- RTP20
- PH10T (w/TP20, TP200)
- PH20
- PH10M (w/SP25)
- PH6M (w/SP25)

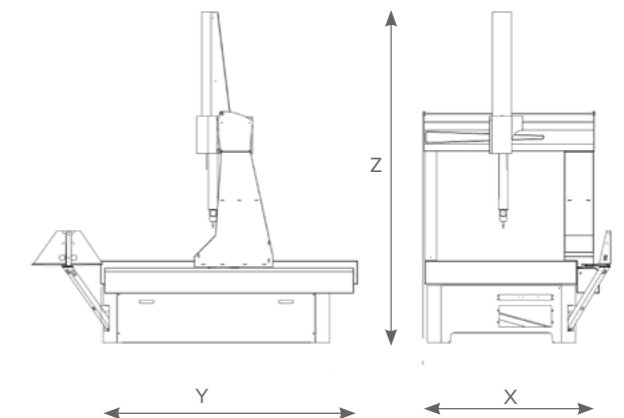
Machine Options:

- Automatic Temperature Compensation
- CCD Camera System
- Collimated Back Light Option



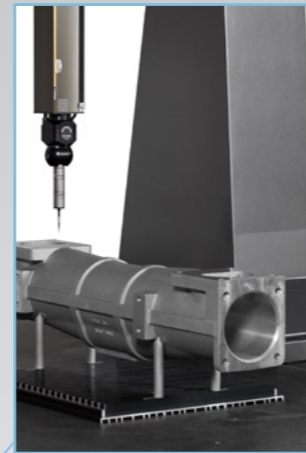
Technical Information:

Axis Travel (mm)	X 1000 Y 1000, 1500, 2000, 2500, 3000 Z 600, 800
Overall Size (mm)	X 1520 Y 1700, 2200, 2700, 3200, 3700 Z 2500, 2900
*Volumetric Accuracy:	TP20 (2.7 + 0.4L/100) μm TP200 (2.6 + 0.4L/100) μm SP25M (2.4 + 0.4L/100) μm
Scale Resolution:	0.5μm
**Optimum Temp Range:	18 - 22°C
Operational Temp Range:	0 - 45°C
Table:	Granite
Table Load Capacity:	1500kg as standard. Options up to 4400kg
Max. Velocity Vector:	600mm/sec
Max. Acceleration Vector:	600mm/sec ²
Air Consumption:	50 l/min (1.8 cfm)
Required Air Pressure:	4 bar (60 psi)

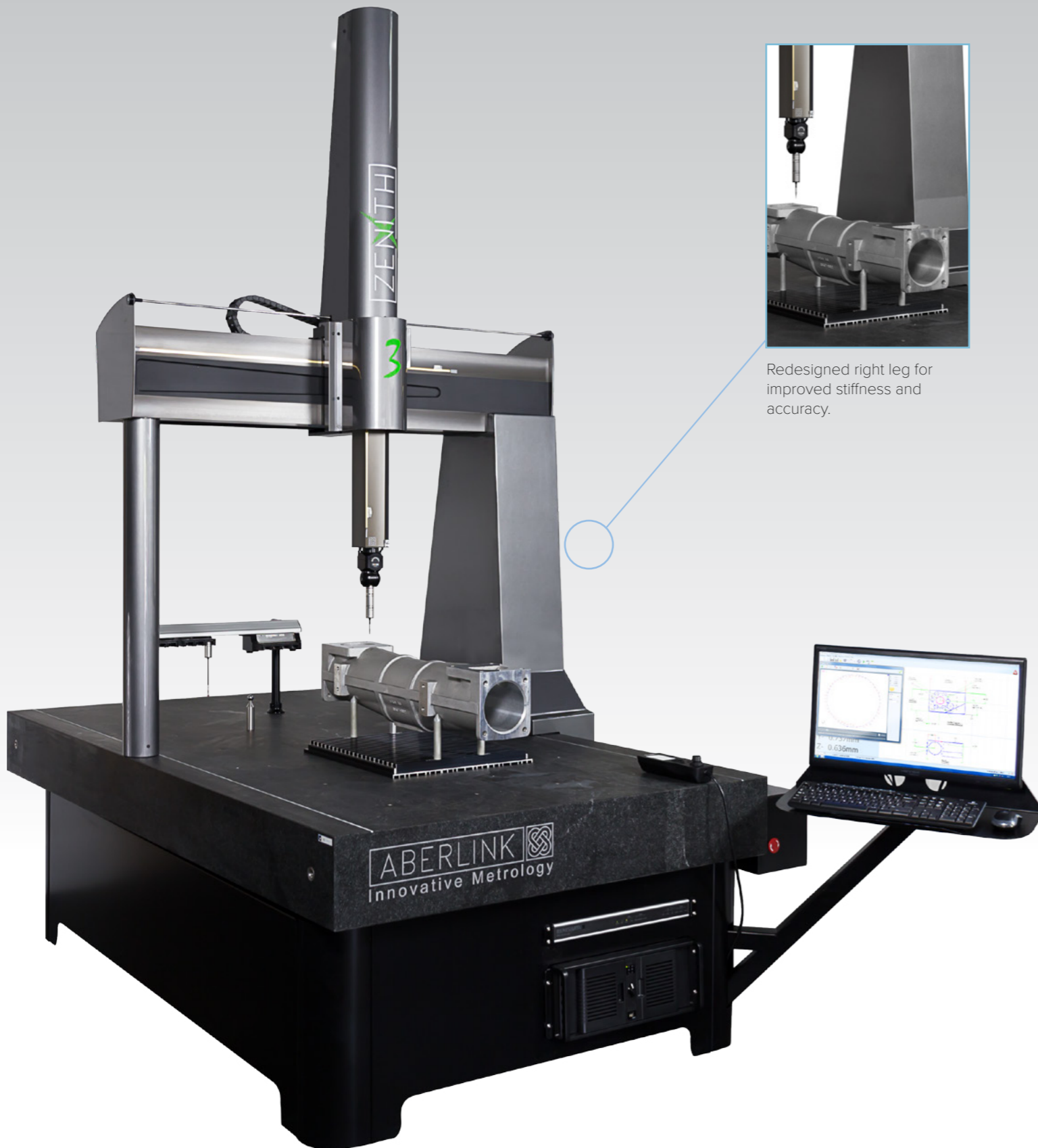


*Maximum Permissible Error MPE_E according to 10360-2, 2009 within the thermal limits defined for optimum temperature range.

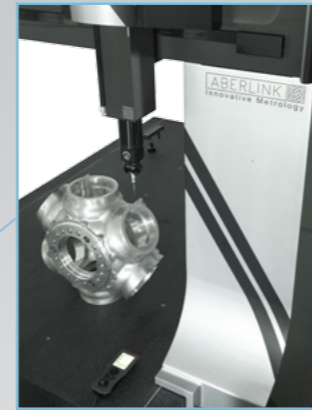
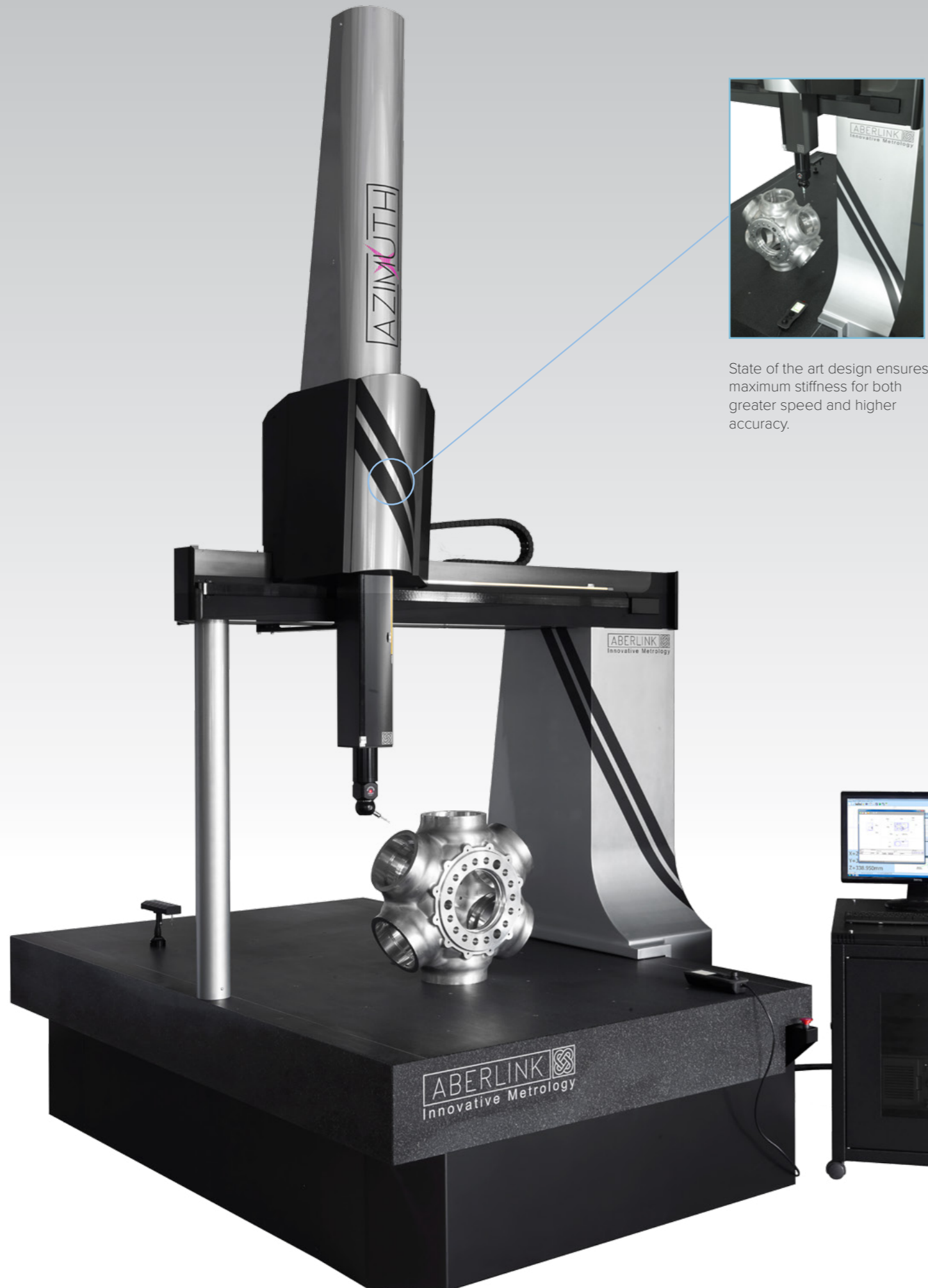
**Installation environment thermal limits:
Rate of change <math><1^\circ\text{C}/\text{hr}</math> and <math><2^\circ\text{C}/24\text{hr}</math> | Temperature gradient <math><1^\circ\text{C}/\text{m}</math>



Redesigned right leg for improved stiffness and accuracy.



The Zenith 3 is supplied with the CMM colour touch screen joystick as standard.



State of the art design ensures maximum stiffness for both greater speed and higher accuracy.

AZIMUTH

FROM STRENGTH TO STRENGTH

As CMMs get larger, it is not simply a case of scaling up the design of smaller models. Stiffness of the structure is critical, but weight must also be kept to a minimum. The Azimuth CMM is not only Aberlink's largest in their range of CMM products, but it is the culmination of over twenty years experience and excellence in the design and manufacture of innovative metrology equipment incorporating the very latest materials technology.

The revolutionary bridge of the Azimuth incorporates aluminium honeycomb sheets developed for use in formula one and the aerospace industry. The remarkable stiffness to weight ratio that this provides gives the Azimuth an edge in both performance and speed. For a machine of this size, the Azimuth is not only fast, but extremely accurate.

The drive systems designed for the Azimuth offer simplicity and reliability and the novel system used on the Y axis ensures that there is no degradation of performance across the full range of machine sizes offered up to 3m.

A big machine should also be able to measure a heavy component and this is another area where Aberlink has applied innovative thinking. Rather than simply increasing the depth of the granite table, which adds huge cost and weight to the machine, we offer a specially designed load plate to sit on the granite base. This plate can accept up to a six tonne load which will then be transmitted directly through the feet of the machine bench directly to the floor, meaning no loss of metrology performance whatsoever – just another really clever idea!

Key Features:

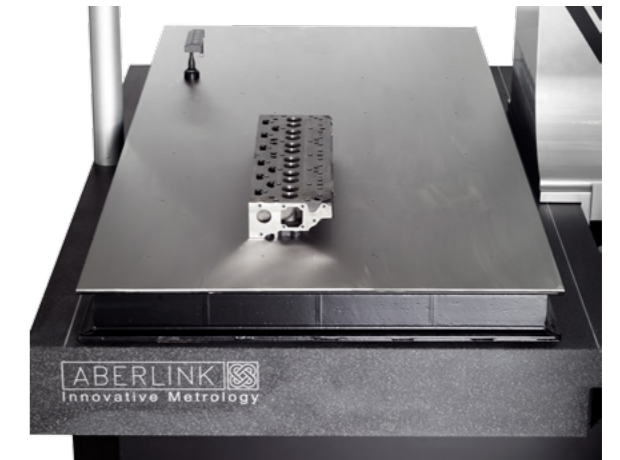
- Capable of measuring parts up to 6000kg in weight
- Fitted with 0.0001mm linear encoders for superior accuracy
- Unique self-contained drive system ensures excellent performance over the entire measuring volume
- Choice of Y axis sizes ranging from 1000mm to 3000mm

Common Probe Options:

- PH10T (w/TP20, TP200)
- PH20
- PH10M (w/SP25)
- PH6M (w/SP25)

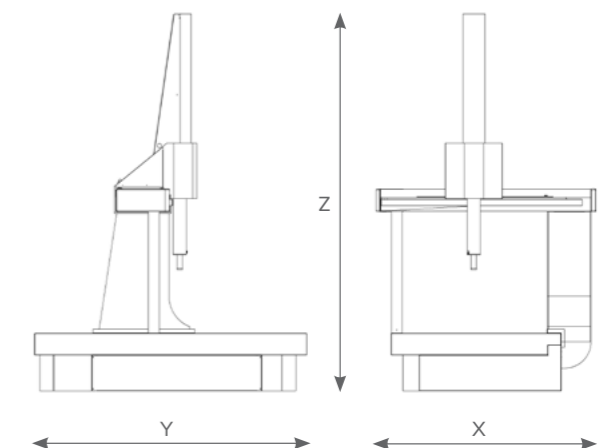
Machine Options:

- Automatic Temperature Compensation
- CCD Camera System
- Collimated Back Light Option
- Load plate for loads up to 6 tonnes



Technical Information:

Axis Travel (mm)	X 1200 Y 1000, 1500, 2000, 2500, 3000 Z 1000
Overall Size (mm)	X 1940 Y 2000, 2500, 3000, 3500, 4000 Z 3595
*Volumetric Accuracy:	TP20 (2.9 + 0.4L/100) μm TP200 (2.8 + 0.4L/100) μm SP25M (2.6 + 0.4L/100) μm
Scale Resolution:	0.1 μm
**Optimum Temp Range:	18 - 22°C
Operational Temp Range:	0 - 45°C
Table:	Granite
Table Load Capacity:	1500kg as standard. Options up to 6000kg
Max. Velocity Vector:	650mm/sec
Max. Acceleration Vector:	850mm/sec ²
Air Consumption:	50 l/min (1.8 cfm)
Required Air Pressure:	4 bar (60 psi)



*Maximum Permissible Error MPE_E according to 10360-2, 2009 within the thermal limits defined for optimum temperature range.

**Installation environment thermal limits:
Rate of change <math><1^\circ\text{C/hr}</math> and <math><2^\circ\text{C/24hr}</math> | Temperature gradient <math><1^\circ\text{C/m}</math>

The Azimuth is supplied with the CMM colour touch screen joystick as standard.



Every bridge-type Aberlink CMM fully supports the range of probe heads and both touch trigger and scanning probes supplied by Renishaw. The following are common options:



TP8 Probe

The TP8 probe offers an entry level option for customers that require infrequent indexing of the probe and no indexing during the running of a measurement programme. The TP8 is supplied with two knuckle joints to allow infinite alignment of the probe to the feature being measured, but this alignment is non-repeatable, meaning that the stylus will need to be requalified following each index. The TP8 probe accepts the M3 range of styli.

MH20i Probe Head

The MH20i probe offers repeatable manual indexing of the probe head from 0° to 90° in the A axis and through 360° in the B axis, in 15° increments. Ideal for manual CMMs, it can also be used on CNC models, but will require intervention from the operator whenever indexing is required. The MH20i uses a TP20 stylus module, which in turn accepts the M2 range of styli.



RTP20 Probe Head

The RTP20 probe offers a really cost effective solution for customers that require automatic indexing on CNC machines. Modelled on the MH20i body, the RTP20 uses the CNC motion of the CMM to position itself using a post mounted to the bed of the machine. Like the MH20i it is able to index from 0° to 90° in the A axis and through 360° in the B axis, in 15° increments and uses a TP20 stylus module, which in turn accepts the M2 range of styli. The RTP20 is also fully compatible with the MCR20 change rack to provide an option that provides both automatic stylus changing as well as automatic indexing.

PH10T Probe Head

The PH10T is a fully motorised probe head that offers immediate indexing from 0° to 105° in the A axis and through 360° in the B axis, in 7.5° increments. This probe head should be used by customers requiring frequent indexing or when more precise alignment to the features being measured is required.

Common probe options for the PH10T:

TP20

The TP20 is a robust probe for general purpose measurement that can be used in conjunction with the MCR20 change rack to facilitate automatic stylus changing. The TP20 stylus modules can be supplied with different trigger forces which accept M2 styli up to 60mm long, and with different length modules to assist with probing at greater depths.

TP200

The TP200 probe utilises strain gauge technology and so does not exhibit lobing characteristics and therefore should be considered by customers requiring more accurate measurement of form. It can be used with the SCR200 change rack for automatic stylus changing and the TP200 modules are available as standard or low force for use with M2 styli up to 100mm long.



PH10T probe head fitted with TP20 probe



PH10M with SP25M scanning probe

PH10M Probe Head

Like the PH10T probe head, the PH10M is also a fully motorised probe head that offer immediate indexing from 0° to 105° in the A axis and through 360° in the B axis, in 7.5° increments. The M head, however, incorporates an autojoint with multiwire capability, which is necessary for the SP25M scanning probe. The PH10M probe head can also be fitted with either TP20 or TP200 probes and should be chosen in preference to the PH10T when using these probes if the future use of a scanning technology may be required.

PH6M Probe Head

This head provides a fixed autojoint for when an SP25M scanning probe is needed without the requirement for indexing.



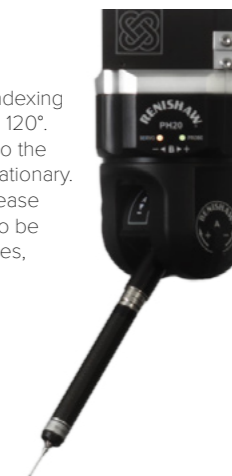
PH6M with SP25M scanning probe

SP25M Scanning Probe

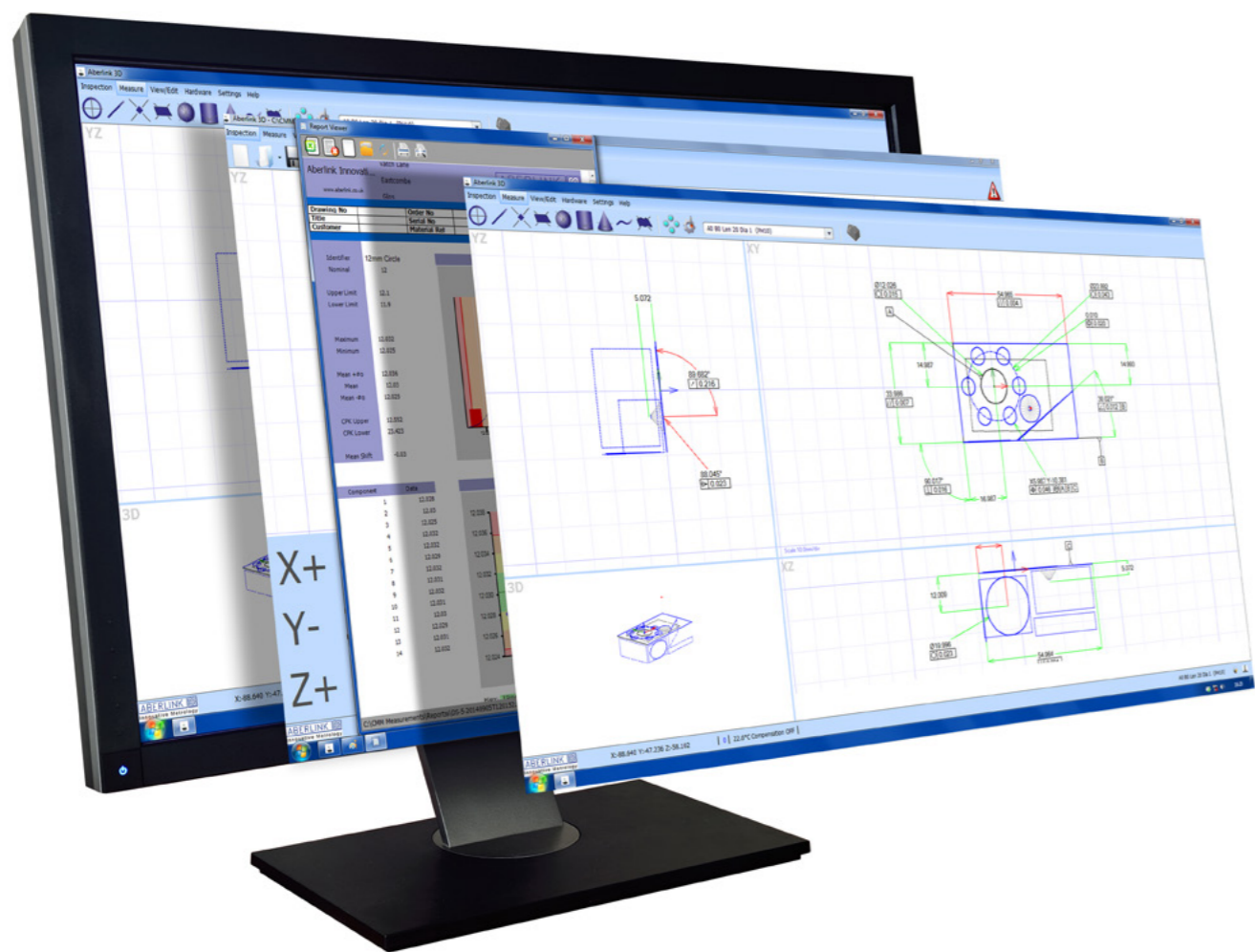
The SP25M scanning probe uses an isolated optical metrology transducer system to enable extremely accurate measurements to be taken with the stylus in continuous contact with the feature being inspected. This enables more data to be taken which is important when form is critical. A range of modules are available for the SP25M to provide optimised scanning performance using M3 styli up to 400mm long.

PH20 Probe Head

Incorporating the latest 5-axis technology, the PH20 head offers infinite indexing to assist with alignment to any feature being measured at any angle up to 120°. The probe is able to perform 'head touches', where it flicks the stylus on to the surface of the component being measured, while the machine remains stationary. This increases both the speed of measuring and accuracy achievable. Please note that if selecting the PH20 head, then the machine would also have to be fitted with a Renishaw CMM controller. The PH20 uses TP20 stylus modules, which in turn accept the M2 range of styli.



Probe Head Comparison	Integral Probe	Index Motion	Maximum Length	Index Resolution	Index Positions	Repeatable Indexing	Repeatable Stylus Changing
TP8	Yes	Manual	105mm	Infinite	Infinite	No	No
MH20i	Yes	Manual	150mm	15°	168	Yes	Yes
RTP20	Yes	Automated	168mm	15°	168	Yes	Yes
PH10T	No	Motorised	450mm	7.5°	720	Yes	Yes
PH20	Yes	Motorised	168mm	Infinite	Infinite	Yes	Yes
PH6M	No	No	450mm	No	No	No	Yes
PH10M	No	Motorised	450mm	7.5°	720	Yes	Yes

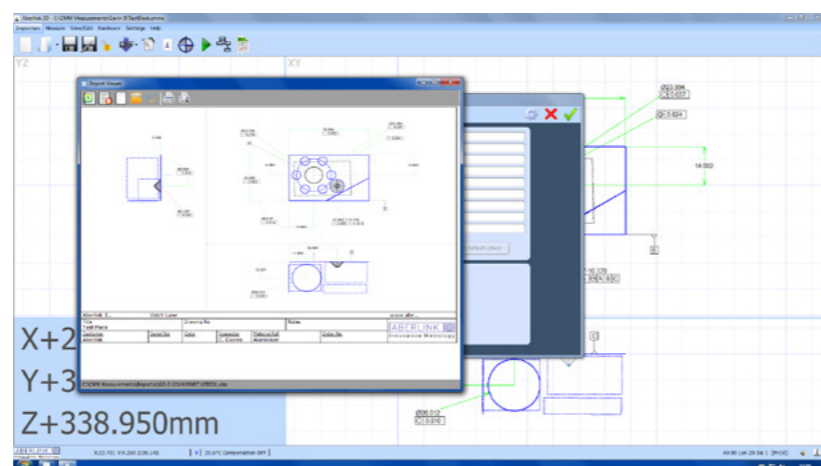


ABERLINK 3D

MAKING MEASUREMENT EASY

The whole philosophy for Aberlink is to make measurement easy. Aberlink 3D software has been written by engineers for engineers and sets the industry standard for simple-to-use software. Designed around a graphical interface, Aberlink 3D can work in 2D or 3D, on manual or CNC CMMs and is equally at home when used with either touch, scanning or vision systems. It is easy to understand why Aberlink 3D has become the software of choice not only for Aberlink, but for numerous other manufacturers of measuring devices around the world.

Aberlink 3D software is not only way ahead of its competition in being the industry standard for 'easy-to-use' software, but also has the depth of functionality to make it the choice for either occasional users or full-time inspection professionals.



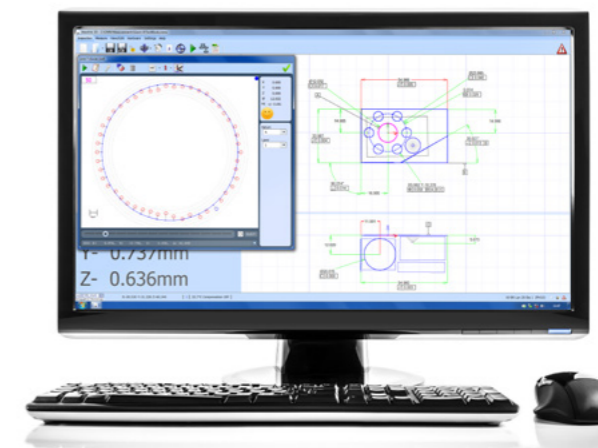
Aberlink 3D software is revolutionary. As a component is measured a representation of it is built up on the screen. The user simply clicks on the measured features to call up dimensions exactly as they would appear on a drawing.

Inspection reports can be in the form of fully dimensioned graphical representations as created on the screen, or tabulated reports in various formats that can show nominals, tolerances, errors, pass/fails, geometric tolerances etc. These reports can also be output to an Excel spreadsheet.

Further reports are available to show the form of features (roundness, straightness etc.), hole or point positions, or complete batch results on one report. The user's company name also appears on all outputs.

Every time a component is inspected, a programme for measuring subsequent components is automatically created. The software also calculates 'safe' moves between features, even when the probe is indexing – just another thing that the operator doesn't have to worry about!

Popular throughout the world and available in many languages, Aberlink's revolutionary measurement software provides the user with a powerful, yet easy-to-use solution for inspection measurements. This not only increases component throughput but vastly reduces the learning period for new users.



Key Features:

- Automatic measurement routines
- Powerful interactive graphics window
- Automatic feature recognition
- 2D and 3D manual and CNC inspection
- Geometric feature inspection
- Free form curve inspection
- DXF data import/export
- STEP and IGES export for reverse engineering
- Feature construction
- Intelligent feature projection
- GD&T dimensions and tolerances

Programme Tools:

- Teach & repeat programming
- Drag and drop programme editor
- Run programs from any point
- Measure a subset of features
- Simple object-based programming
- No complex programming language
- Automated batch inspection
- Password protect programmes
- Automatic safety moves
- Feature replicator

Report Formats:

- Engineering drawing GD&T report
- Simple PASS/FAIL report
- Form plots
- Batch summary report
- Tabulated reports
- Graphical fly-out labels
- Drag & drop reporting
- Real-time SPC
- Combine multiple views
- Export to Excel
- Historical data reporting



DID YOU KNOW?

Aberlink's revolutionary 3D software inspection package is available for manual and CNC CMMs, vision measuring systems, portable arms and profile projectors.

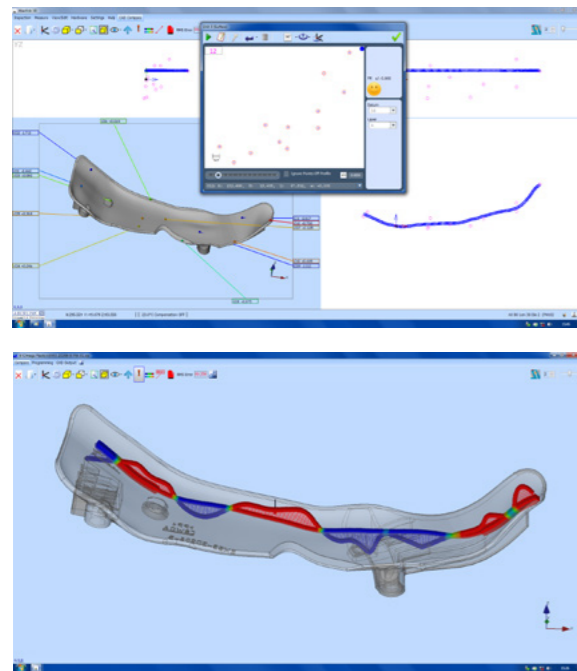
CAD COMPARISON

SOFTWARE MODULE

The Aberlink CAD Comparison software module enhances Aberlink 3D with the capability to compare measured points to a CAD model. Often this will be the only way to measure complex parts, or perhaps sometimes drawings for the component simply don't exist.

Powerful alignment routines allow measurement points to be best-fitted to the model. Colour coded errors can then be displayed on the model to produce both graphical and tabulated reports that are extremely clear and very easy to understand.

Aberlink's CAD comparison module allows the input of either STEP or IGES files as standard and allows reports to be exported as an Excel spreadsheet. It really does make measuring complex parts easy, whether on a manual or CNC CMM.



Key Features:

CAD Formats

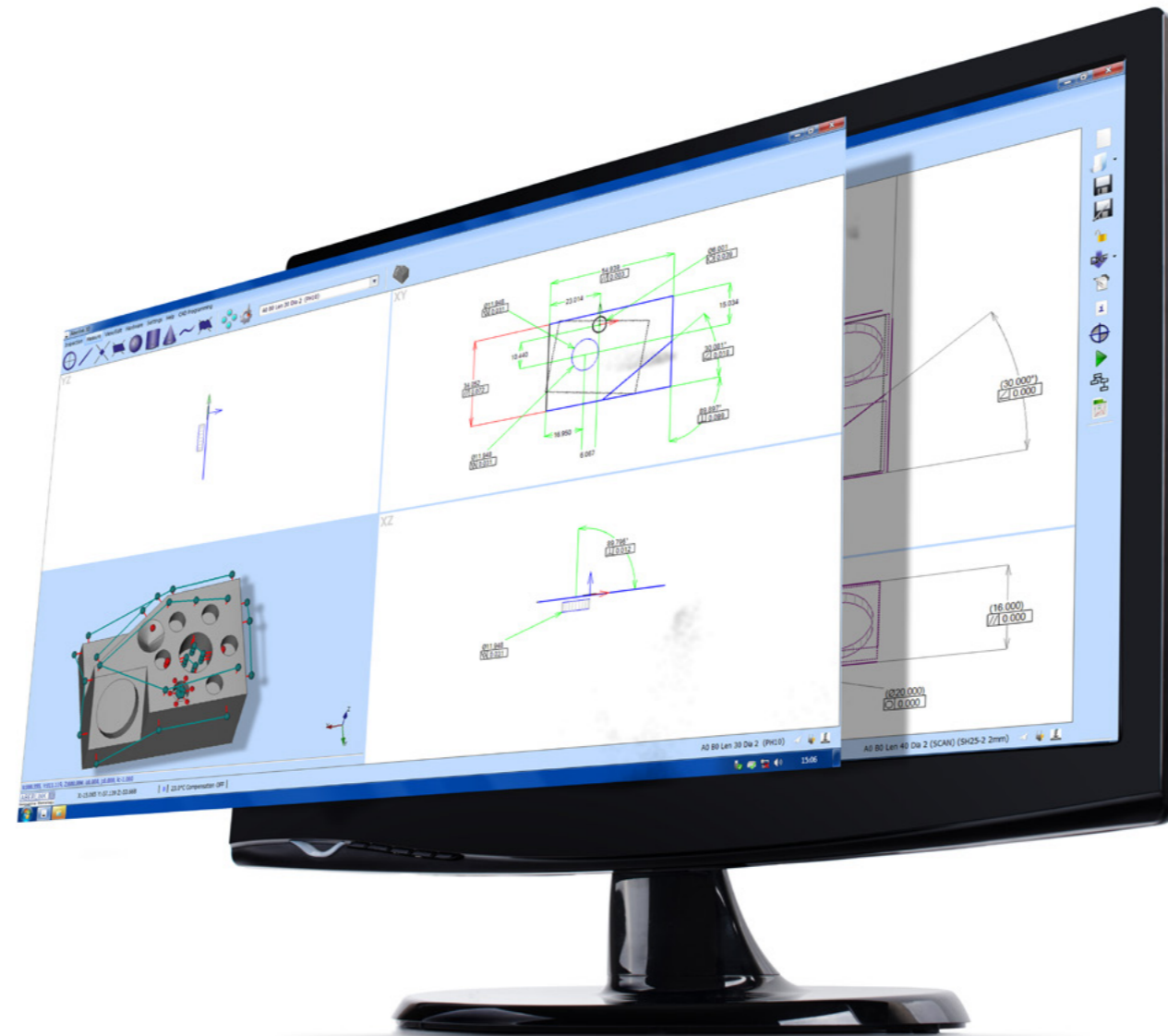
- IGES and STEP import and export
- DXF export
- Re-scale Models
- Simple measurement of complex parts

Alignments

- Point cloud best-fit
- Feature best-fit
- Best-fit constraints
- Graphical and tabulated reports
- Export to Excel

Report Formats

- On CAD fly-out labels
- Colour deviation whiskers
- Colour point markers
- Configurable colour options
- Combine multiple views
- Graphical and tabulated reports
- Export to Excel



PROGRAMMING FROM CAD

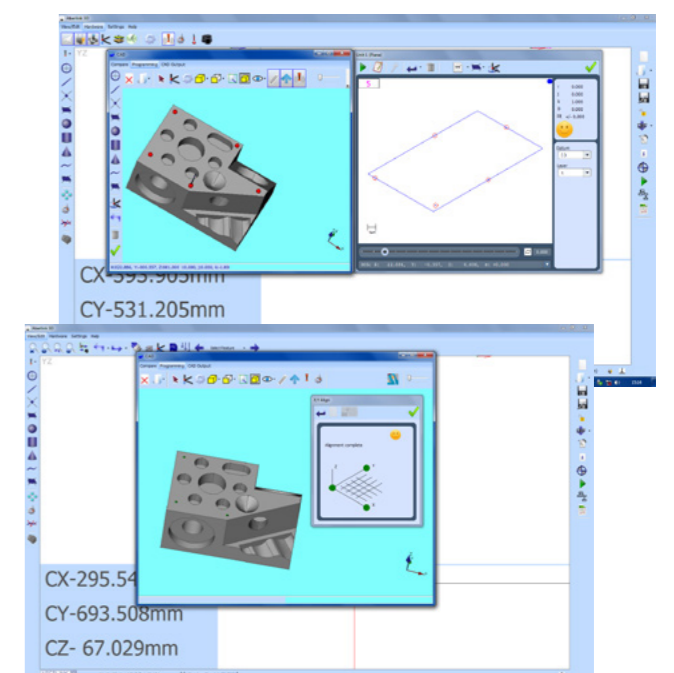
SOFTWARE MODULE

For many years Aberlink 3D software has been setting the industry standard for both ease of use and speed of programming. However, until now this has been best done by using the teach-and-repeat method of programming when measuring a component. But what if you want to prepare the measurement programme before you even have the first component? Now, we are pleased to introduce our new CAD programming module, which in true Aberlink fashion, allows the simplest programming possible from either an IGES or STEP CAD model.

If you can use Aberlink 3D software then you will already know how to use the CAD programming module – it couldn't be easier. Rather than taking measurement points on a component, you can now just click on the surface of the model where you would like the points to be taken.

Feature Predict works in the same way as when measuring, for instance, if you click in four places on the same plane on the model, then the software will automatically create a Plane Measure unit with those four points in it. Then click on a different feature and it will automatically close the Plane window and look for another feature. If you click on a circular feature it will take just one click to produce a circle or two clicks for a cylinder. Suddenly programming in Aberlink 3D just got even easier!

Aberlink's CAD programming module can be used either on the CMM or off-line... nothing could be more straightforward.



DID YOU KNOW?

With the Aberlink Programming from CAD module, generating Aberlink 3D inspection programmes is now possible, even when the part is not available.

CMM CAMERA

TOUCH & VISION ON THE SAME MACHINE

Aberlink's camera system offers a non-contact facility on any Aberlink CMM. A clever design of magnetic, kinematic joint allows the probe and camera to be swapped in just seconds. This means that components can be inspected using both touch trigger and vision inspection technology on the same machine.

The camera incorporates a telecentric lens that gives a distortion-free image on the monitor. It also contains a fully programmable 16-LED light ring which contains alternate white and UV LEDs. The white LEDs provide surface illumination in the normal manner while the UV LEDs provide an ingenious solution to the perennial problem of backlighting on a CMM - the component to be measured is simply placed on a plate containing special reflective paper.

Key Features:

- Swap between touch probe and CMM camera in seconds
- Use touch and vision technology within the same inspection programme
- High precision edge detection for feature inspection
- Thread measurement - min/max/mean pitch, left/right angles, effective diameter
- Fully programmable digital zoom (no need to change lenses)
- Directional overhead lights and back light for profile and surface feature inspection
- Telecentric lens measures accurately even when the feature is out of focus

Specification:

- Sensor: 3 Mega pixel high speed colour camera
- Resolution: 2048 x 1536 (QXGA)
- Stand off: min 125mm | max 1000mm (manually adjusted)
- Field Of View: min 9.5mm | max 125mm
- Pixel Size: min 4.8µm | max 48µm



A collimated back light option is available for when measuring 3D or small turned components - see accessories (inside back cover)

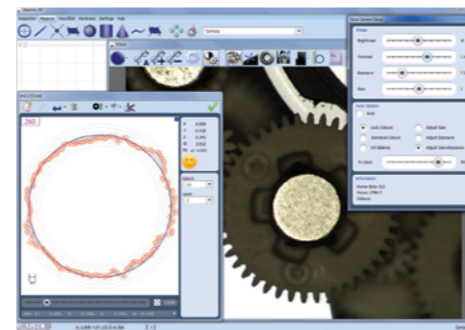
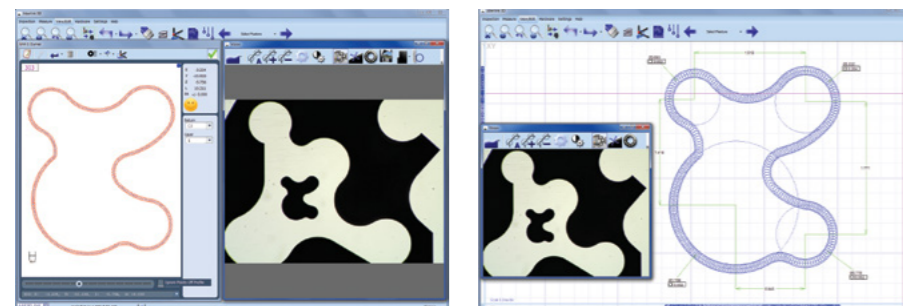


VISION SOFTWARE

SOFTWARE MODULE

The Aberlink Vision software module allows Aberlink 3D software to be used for non-contact measuring. Fully automatic edge detection tools can be used in both manual and CNC mode ensuring fast and repeatable results without relying on the skill of the operator.

Powerful tools allow both geometric and complex shapes to be measured easily. Dimensions can either be called up by clicking on the measured features in the normal way, or alternatively measurement points can be best-fitted against a DXF file. As well as edge detection the operator may use either full cross hairs or mouse cross hairs with other advanced tools available including "smart measure", centre line detection, an "all edge points" function, a "thread measure" tool and a "screen ruler" for quick measurements between any two points on the image.



Key Features:

- Full colour video image
- CNC and manual machine controls
- Auto focus
- Digital Zoom
- Light intensity and direction
- Align to edge
- Automatic 2D profile scanning
- Scan geometric features
- Scan individual features
- Scan all visible features with a single mouse click
- Digitise 2D profiles - data export via DXF

PROJECT X

ADVANCED VISION SYSTEM

Project X finally replaces the old technology of a profile projector. It is easier to use than a profile projector. It is quicker to use than a profile projector and it will deliver reliable, constant inspections time after time. Project X is available as either a manual machine or with full CNC control.

Project X is different. It utilises a totally new, patented technology XY scale, that records not only X and Y position but also any rotational movement of the camera system. In addition, this is an absolute scale system, which means as soon as you switch on the machine it knows exactly where it is - no need for referencing. The camera is free to glide around the measurement area mounted on a simple air bearing system, without any worry about constraining the mechanics to avoid losing accuracy.

Components can be placed on a glass table and remain stationary, while the camera is moved around taking measurements above. There is no need to secure the component on the table as there would be on a moving stage machine.

Combine this simple mechanical structure, made possible by the revolutionary scale technology, with the Aberlink measurement software and you will soon understand why Project X is the standard for 2-dimensional measurement.

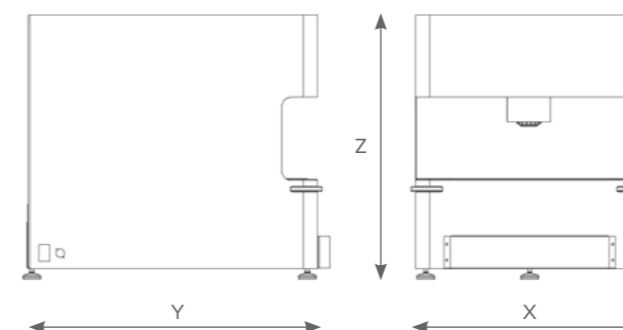
Key Features:

- High speed optical scanning - up to 5000 points/second
- Fully programmable digital zoom, no need to change lenses
- Powerful edge detection tools for maximum accuracy
- Aberlink's easy-to-use vision measurement software



Technical Information:

Axis Travel (mm)	Overall Size(mm)	2D Accuracy
X 400	X 583	7.5µm
Y 300	Y 722	
Z 125 (focus only)	Z 670	
Stand Off (mm)	Field of View (mm)	Temp Range
125.0	10.0	18 - 22°C



ACCESSORIES

FURTHER CMM ENHANCEMENTS

CMM Touch Screen Joystick

The touch screen joystick gives you control of the Aberlink 3D inspection software and the 3-axis machine motion from an easy to operate hand-held device.

The CMM touch screen joystick allows users complete control of the Aberlink 3D inspection software, clearly displayed through the unique joystick graphical user interface and high resolution touch sensitive screen - there is no need to interface with the PC. This is especially useful on larger CMMs when you need to stand over the part or around the back of the machine, to position the probe or clearly see probe measurements.

The colour touch screen joystick is invaluable when creating and running inspection programmes, enabling complete control of the X, Y and Z-axis machine movement, probe head indexing and machine status.- You have complete control at your fingertips.

The touch screen joystick is supplied as standard with both the Zenith 3 and Azimuth CMMs.



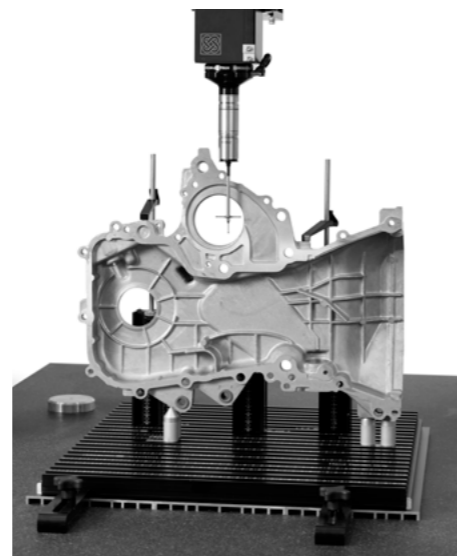
Fixture Kit

Patent pending T-slot and T-nut technology provides infinite adjustment of the fixture components in multiple directions. Clamps, locators and supports can be placed in exactly the right position to suit the part. Greater flexibility results in less complicated designs, fixtures are easier to assemble and completed in less time.



Fixture mountings incorporate one or more t-slot. The slot receives a sliding t-nut which is used to secure the fixture components in place. For rapid repeat set-ups, fixture components can be removed and replaced without disturbing the t-nut while laser engraved scales and alpha markings facilitate more precise builds.

Any number of designs can be created from a single fixture kit. Over one hundred high quality parts manufactured from anodised aluminium and stainless steel are supplied in a compartmented storage case. All types of prismatic and free form parts can be held and supported correctly during measurement.



Collimated Back Light

Backlighting solution for components and parts requiring additional illumination.

The CMM collimated light enables backlight illumination of 3D or turned components when used with the CMM Camera System. When using collimated light to backlight components, a clear and crisp silhouette, similar to using a profile projector, is produced. A single-LED collimated light features a compact, lightweight design which is perfect for the Axiom too range of CMMs and is fully programmable and controllable within Aberlink vision software.

Available in 120mm and 68mm diameters.



Automatic Temperature Compensation

The Aberlink Temperature Compensation option enables your CMM to maintain accuracy in an uncontrolled environment, such as on the shop floor.

In an ideal world, your CMM would be installed in a perfectly temperature controlled room. However, in the real world of manufacturing, sometimes that isn't possible or practical because you need your CMM next to where your parts are being made.

A USB temperature sensor embedded in the bridge of the CMM provides feedback to compensate as though measurements have been taken at 20°C



Fixture Template

The Aberlink CMM fixture template has been designed to be easily mounted to the CMM's granite table and allows the simple positioning and spacing of up to 8 components.



Air Dryer

SMC IDFA series refrigeration air dryer - to ensure a good quality of air supply and maximise the performance and life of the CMM.





The largest UK-owned manufacturer of coordinate measuring machines
with a distribution and sales network spanning over 40 countries Worldwide.

Visit www.aberlink.com for full office details.

Aberlink Ltd
Vatch Lane,
Eastcombe,
Gloucestershire
GL6 7DY
United Kingdom

T +44 (0) 1453 884461
F +44 (0) 1453 882348
E sales@aberlink.com

www.aberlink.com