

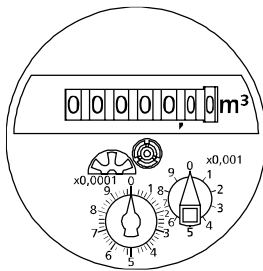


MTKD-N and MTKD-M

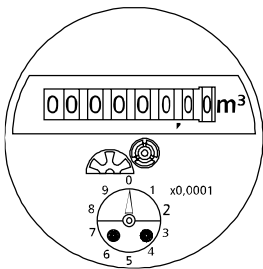
Multi-jet dry dial meter for cold water

In use by the million worldwide the MTK will convince you thanks to their high technical standard and high-quality workmanship. The MTKD is equipped with the new ZENNER D-register. MTKD is available in two versions: MTKD-N with 7-digit rollers and magnet pointer for pulse output. MTKD-M with 8-digit rollers register and modulator disc for non-reactive scanning for radio (wireless M-Bus), M-Bus or pulse.

Precise measurement results are achieved, even where the water quality varies or in the most difficult installation situations.



MTKD-N



MTKD-M



Performance characteristics in overview

- High-quality UV-resistant plastic inspection window
- Dry dial register with shielded magnetic coupling
- Rotatable and individually inscribable lidring
- Operating temperature up to 30°C, optional up to 50°C
- Operating pressure PN 16
- Water meter for horizontal and vertical installation
- Register available as copper can version (IP 68)
- Version MTKD-N with pulse output (reed) for remote readout
- Standard pulse value 10 l/pulse, optional 1 l/pulse available
- Version MTKD-M with modulator disc for non-reactive scanning
- Approved in accordance with MID

MTKD-L-N and MTKD-L-M

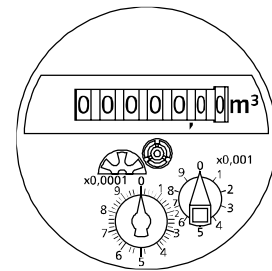
Multi-jet dry dial meter with an innovative plastic housing

The new series of our multi-jet dry dial meter are an improvement of the classical MTK. Its main features are a low starting flow and reliable performance even with aggressive water qualities or dezincification effects. Constant development guarantees accurate measuring results and the best long-term stability.

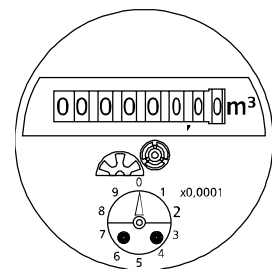
The MTKD-L is equipped with the new ZENNER D-register and ready for all future AMR-applications. MTKD-L is available in two versions: MTKD-L-N with 7-digit rollers and magnet pointer for pulse output. MTKD-L-M with 8-digit rollers register and modulator disc for non-reactive scanning for radio, M-Bus or pulse.

Performance characteristics in overview

- Almost 50% lighter than a meter with a brass housing
- Housing made from high-quality UV-resistant polymer composite
- Dry dial register with shielded magnetic coupling
- High-quality UV-resistant plastic inspection window
- Operating temperature up to 30°C
- Operating pressure PN 16
- Water meter for horizontal installation
- Register available as copper can version (IP 68)
- Version MTKD-L-N with pulse output (reed) for remote readout
- Standard pulse value 10 l/pulse, optional 1 l/pulse available
- Version MTKD-L-M with modulator disc for non-reactive scanning
- Approved in accordance with MID



MTKD-L-N

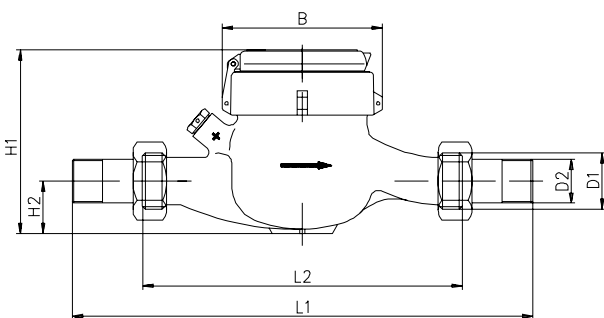


MTKD-L-M

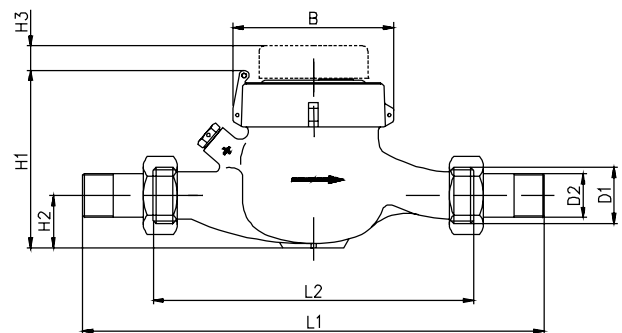


| Technical data MTKD-N, MTKDI-N, MTKD-M | | | | | | | |
|--|--------------------------------|-------------------|-----------------------------------|-----------------------------------|-----------------------------------|-----------------------------------|-----------------------------------|
| Permanent flow | Q ₃ | m ³ /h | 2,5 | 4 | 6,3 | 10 | 10 |
| Comparable to nominal flow (EWG) | Q _n | m ³ /h | 1,5 | 2,5 | 3,5 | 6 | 6 |
| Attainable measuring range | Q ₃ /Q ₁ | R | 100H/31,5V | 160H/40V | 125H/50V | 160H/50V | 160H/50V |
| Standard measuring range (*) | Q ₃ /Q ₁ | R | R25 R80H | R25 R80H | R40 R80H | R40 R80H | R40 R80H |
| Comparable to metrological class (EWG) | class | | A / B-H | A / B-H | A / B-H | A / B-H | A / B-H |
| Overload flow (**) | Q ₄ | m ³ /h | 3,13 | 5 | 7,88 | 12,5 | 12,5 |
| Minimum flow (**) | Q ₁ | l/h | 100 / 31H | 160 / 50H | 158 / 79H | 250 / 125H | 250 / 125H |
| Start-up flow rate | - | l/h | <10 | <10 | <18 | <18 | <18 |
| Display range | min | l | 0,02 | 0,02 | 0,02 | 0,02 | 0,02 |
| | max | m ³ | R8 99999.999 R7 99999.99 | R8 99999.999 R7 99999.99 | R8 99999.999 R7 99999.99 | R8 99999.999 R7 99999.99 | R8 99999.999 R7 99999.99 |
| Maximum temperature | - | °C | 30 | 30 | 30 | 30 | 30 |
| Operating pressure, max. | PN | bar | 16 | 16 | 16 | 16 | 16 |
| Pulse value | | l/pulse | 1/10 | 1/10 | 1/10 | 1/10 | 1/10 |
| Dimensions: | | | | | | | |
| Nominal diameter | DN | mm | 15 | 20 | 25 | 25 | 32 |
| | | inch | 1/2" | 3/4" | 1" | 1" | 1 1/4" |
| Overall length without connectors (*) | L2 | mm | 165/170 | 190 | 260 | 260 | 260 |
| Overall length with connectors approx. | L1 | mm | 245/250 | 286 | 378 | 384 | 384 |
| Thread meter G x B | D1 | inch | 3/4" | 1" | 1 1/4" | 1 1/4" | 1 1/2" |
| Thread connector R x | D2 | inch | 1/2" | 3/4" | 1" | 1" | 1 1/4" |
| Width approx. | B | mm | 95 | 95 | 95 | 95 | 95 |
| Height (plastic glass) approx. | H1 k* | mm | 120 | 120 | 120 | 120 | 120 |
| | H2 | mm | 35 | 25 | 35 | 40 | 40 |
| | H3 | mm | 15 | 15 | 15 | 15 | 15 |
| Weight approx. | - | kg | 1,2 | 1,3 | 2,1 | 2,1 | 2,1 |

(*) Other measuring ranges (R) and overall lengths on request. (**) The data refer to the standard measuring range
k* plastic glass



Dimensions MTKD-N/-M, MTKD-L-N/-M



Dimensions MTKDI-N, MTKDI-L-N with pulser

| Technical data MTKD-N, MTKDI-N, MTKD-M | | | | | | MTKD-L-N, MTKDI-L-N, MTKD-L-M | |
|--|--------------------------------|-------------------|-----------------------------------|-----------------------------------|-----------------------------------|-----------------------------------|-----------------------------------|
| Permanent flow | Q ₃ | m ³ /h | 16 | 25 | 25 | 2,5 | 4 |
| Comparable to nominal flow (EWG) | Q _n | m ³ /h | 10 | 15 | 15 | 1,5 | 2,5 |
| Attainable measuring range | Q ₃ /Q ₁ | R | 160H 25any | 125H/40V | 125H/40V | 100H/31,5V | 160H/40V |
| Standard measuring range (*) | Q ₃ /Q ₁ | R | R25 R80H | 80H/40V | 80H/40V | R25 R80H | R25/R80H |
| Comparable to metrological class (EWG) | class | | A / B-H | B-H | B-H | A / B-H | A/B-H |
| Overload flow (**) | Q ₄ | m ³ /h | 20 | 31,3 | 31,3 | 3,13 | 5 |
| Minimum flow (**) | Q ₁ | l/h | 640 / 200H | 313H | 313H | 100 / 31H | 160/50H |
| Start-up flow rate | - | l/h | <40 | <25 | <25 | <10 | <10 |
| Display range | min | l | 0,1 | 0,1 | 0,1 | 0,02 | 0,02 |
| | max | m ³ | R8 99999.999 R7 99999.99 | R8 99999.999 R7 99999.99 | R8 99999.999 R7 99999.99 | R8 99999.999 R7 99999.99 | R8 99999.999 R7 99999.99 |
| Maximum temperature | - | °C | 30 | 30 | 30 | 30 | 30 |
| Operating pressure, max. | PN | bar | 16 | 16 | 16 | 16 | 16 |
| Pulse value | | l/pulse | 1/10 | 1/10 | 1/10 | 1/10 | 1/10 |
| Dimensions: | | | | | | | |
| Nominal diameter | DN | mm | 40 | 50 | 50 | 15 | 20 |
| | | inch | 1 ½" | 2" | --- | ½" | ¾" |
| Overall length without connectors (*) | L2 | mm | 300 | 300 | 270 | 165/170 | 190 |
| Overall length with connectors approx. | L1 | mm | 428 | 444 | --- | 245/250 | 286 |
| Thread meter G x B | D1 | inch | 2" | 2 ½" | flange | ¾" | 1" |
| Thread connector R x | D2 | inch | 1 ½" | 2" | --- | ½" | ¾" |
| Width approx. | B | mm | 110 | 110 | 110 | 99 | 99 |
| | | mm | 150 | 150 | 175 | 120 | 120 |
| | | mm | 50 | 60 | 75 | 35 | 30 |
| Height (plastic glass) approx. | H1 k* | mm | 150 | 150 | 175 | 120 | 120 |
| | | mm | 50 | 60 | 75 | 35 | 30 |
| | | mm | 15 | 15 | 15 | 15 | 15 |
| Weight approx. | - | kg | 4,0 | 4 | 9,5 | 0,6 | 0,6 |

(*) Other measuring ranges (R) and overall lengths on request. (**) The data refer to the standard measuring range
k* plastic glass

