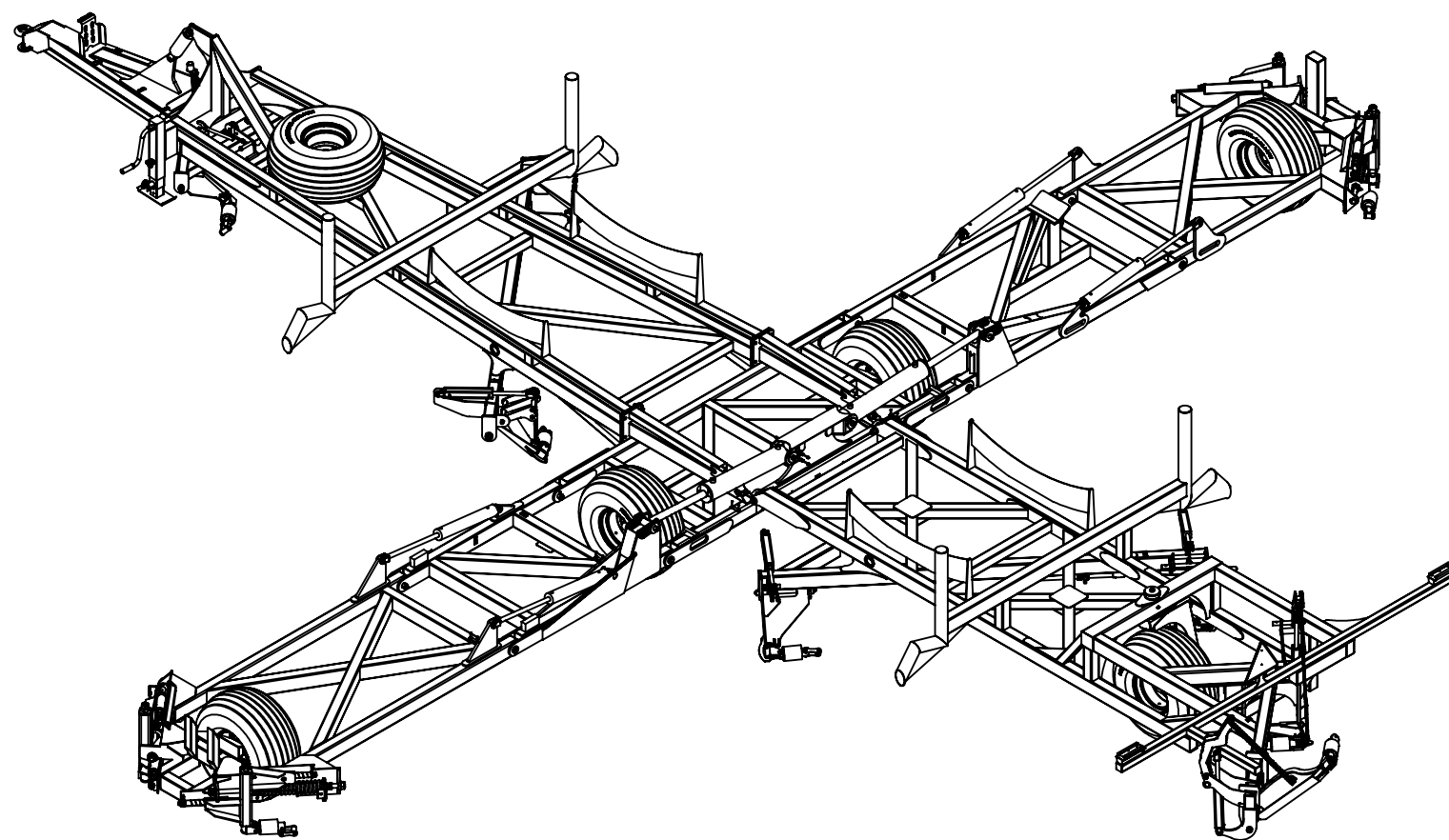


ITEM NO.	PART NUMBER	DESCRIPTION	Parts Book/QTY.
57	80673	Pin	2
58	81449	Lift Arm A	1
59	CHAIN REPRESENTATIVE 2		1
60	80882	Chain Drag Assembly - Rear Passenger Side	1
61	CHAIN REPRESENTATIVE ARM 1b		1
62	81471	pin 1 diamter	2
63	81366	Chain adjustment group Roller lf rr	2
64	90630A110	3/8 inch lock nut nylon	8
65	81368	Bar - tensioner Slider	8
66	81251	Spring 3.170x24x.5310	4
67	97135A038	1-8 inserted nylon locknut	8
68	95030A370	1 1/2-6 Slotted Nut	4
69	40478	90108A041 1 1/2 flat washer	8
70	HFBOLT 0.375-16x3x1-N		4
71	81252	Compression Plate - Spring	2
72	81370	Chain adjustment group Roller lf rr	2
73	81293	Copression Plate - Spring	2
74	80701	Thrust Washer	1
75	80880	Thrust Plate	1
76	80682	Right Hand duck head	1
77	81483		4
78	81484	1 INCH ROD	8
79	chain representative small		2
80	93839A043	1 1/2 - 6 thin jam nut	2
81	81450	Rear Arm B	1
82	81542	Main Front Section Front	1
83	81513		2
84	81520	1 inch pin	2
85	sp hc391030	Cylinder donuts	2
86	288-455	CYL 18.25 CL 26.25 EXT 8STK 4B 2R	1
87	288-455 Rod	Rod 8 INCH STROKE	1
88	80150	Reinforcement Ring	4
89	80124	SCCA-LAN ECJ Body Valve	1
90	81585	Caster For Machine One 3.5" Shaft & 75-8 Spindle	1
91	81595	Fixed Cyl Pogo	1
92	81594	Chain Drag Assembly - Rear Driver Side - EXTENDED	1
93	11750	Cole hersee storage module	1
94	80333	14 ply tire & wheel gp	5
95	80333HEAVY REAR CASTOR ASSY		1



ITEM NO.	PART NUMBER	DESCRIPTION	Parts Book/QTY.
1	80016	Main Center Section Frame	1
2	80011	DS Inner Wing	1
3	81274	Outer Wing--Driver's Side	1
4	81353	PS Inner Wing	1
5	81275	PS Outer Wing	1
6	216-145	Cylinder	2
7	287-052	Cylinder	4
8	80151	Pin	2
9	80176	Chain Drag Assembly - Standard Chain Right	3
10	218-320 Cylinder	Cylinder	5
11	80333T	Tire & Wheel Gp--14 Ply	4
12	80204	Chain Spacer 1 5/8 od	6
13	59005T11	Safety Triangle	1
14	3588T36	3/8 CHAIN GRADE 40/43 20 feet per plow	1
15	913557 northfield	5/8-18 Wheel Nut	2
16	943541 Northfield	Wheel stud 5/8-18 G8 1 5/8 thd length	2
17	80453	Wrench	1
18	9307k73	mcmaster grommet	3
19	80484	10 gage cover plate	1
20	80485	10 gage cover plate	1
21	40922	Zerk 1/4 NPT Straight	1
22	90316A247	10-24X1	2
23	10 WASHER	#10 WASHER	4
24	90633A011	-10 lock nut	2
25	.75 Nut with nylon insert	Nut	1
26	.75 FW HD	Flat Washer Grade 8	3
27	.75-10-3.50	Hex Bolt Grade 8	2
28	93298A140	7/16 NYLON LOCK NUT	2
29	91257A681	7/16 - 14 X 3 BOLT	1
30	.50-13-1	Grade 8 Hex Bolt	1
31	.5 FW HD	1/2 inch washer gr 8	1
32	.4375-14-3	7/16 - 14 3" long	1
33	FW 1	Grade 8 Washer	17
34	80875	bushing retainer	1
35	80687	tail cap	1
36	80881	Chain Drag Assembly - Standard Chain Left	3
37	80387	Pin	4
38	SP P7230	Pin 1.44	2
39	SP P7719	Pin 1" DIA	1
40	80156	Pin	2
41	5772A43	3/4 wrench for chain adjust mcmaster number	1
42	80396	Adjuster Crank	1
43	80902	Heigth BAR THREADED 1 1/2 - 6	2
44	95045A042	1 1/2-6 Nut	2
45	80903	Seamless Tube 2 od 1 1/2 id	2
46	80900	Pin	2
47	80911	Pivot Bore	2
48	98025A043	1 3/8 zinc dichromate sae washer grade 8 or better	4
49	80887	Rotater Gen 2 w HM807046 HM807010 Tang End	6
50	81230	Rotater Gen 2 Clevis End HM807046-HM807010	6
51	80837	Link	12
52	80832	Chain Spacer 1 5/8 od	6
53	90108A040	1 1/4 SAE FLAT WASHER	10
54	BEC P7231	Pin 1.44	10
55	81552	Tongue Assembly	1
56	218-320 Rod	Cylinder Rod	2

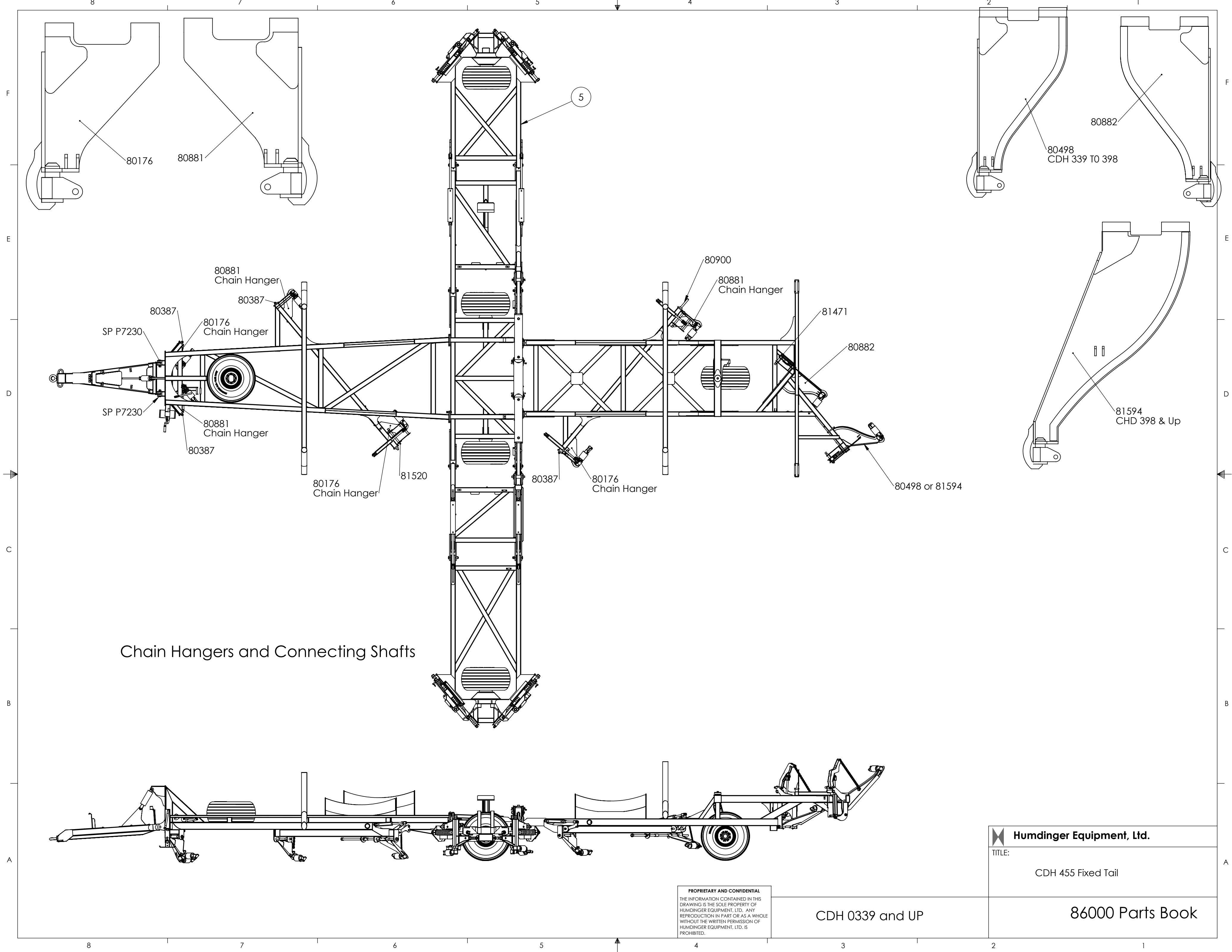
PROPRIETARY AND CONFIDENTIAL
 THE INFORMATION CONTAINED IN THIS DRAWING IS THE SOLE PROPERTY OF HUMDINGER EQUIPMENT, LTD. ANY REPRODUCTION IN PART OR AS A WHOLE WITHOUT THE WRITTEN PERMISSION OF HUMDINGER EQUIPMENT, LTD. IS PROHIBITED.

CDH 339 & Up

Humdinger Equipment, Ltd.

TITLE:
 CDH 455 FT

86000 Parts Book



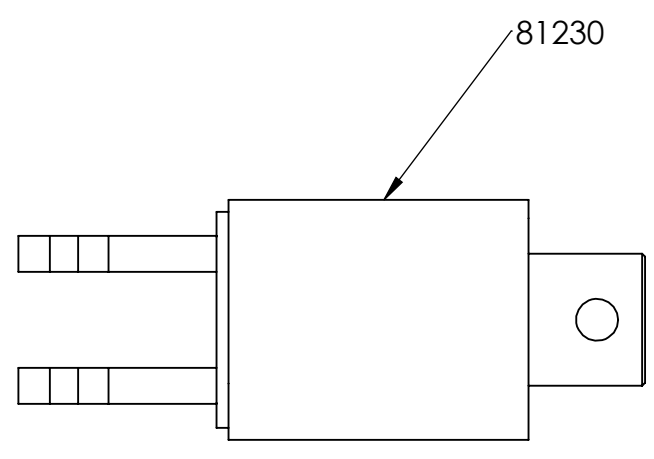
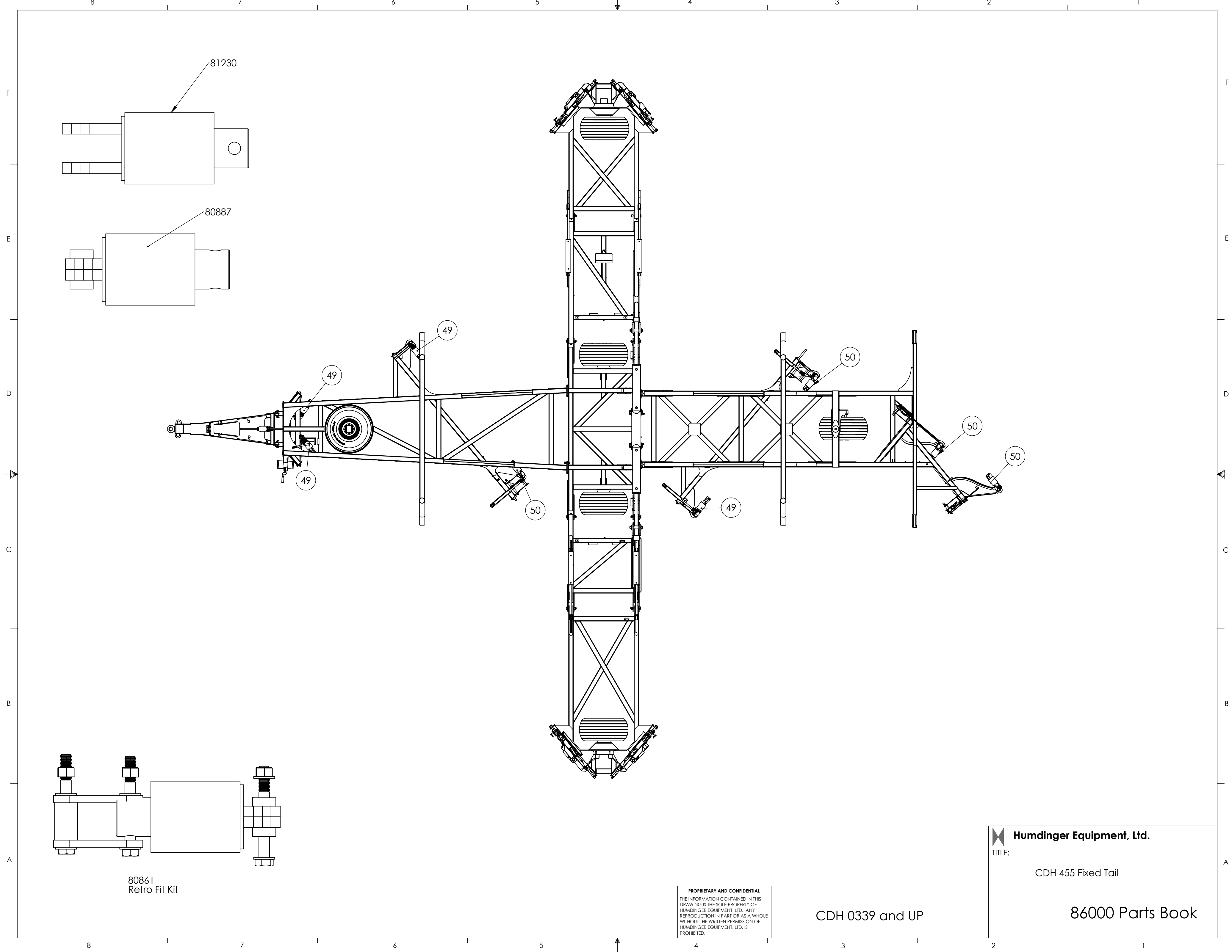
Chain Hangers and Connecting Shafts

PROPRIETARY AND CONFIDENTIAL
 THE INFORMATION CONTAINED IN THIS
 DRAWING IS THE SOLE PROPERTY OF
 HUMDINGER EQUIPMENT, LTD. ANY
 REPRODUCTION IN PART OR AS A WHOLE
 WITHOUT THE WRITTEN PERMISSION OF
 HUMDINGER EQUIPMENT, LTD. IS
 PROHIBITED.

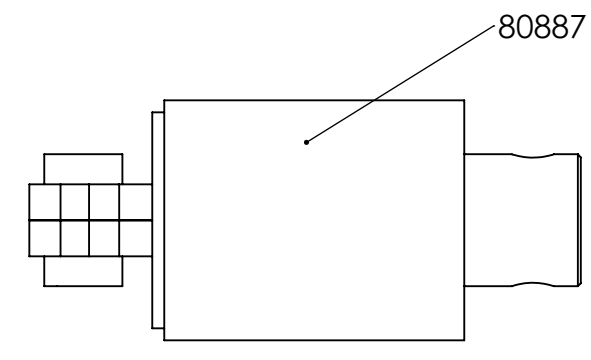
CDH 0339 and UP

Humdingler Equipment, Ltd.
 TITLE:
 CDH 455 Fixed Tail

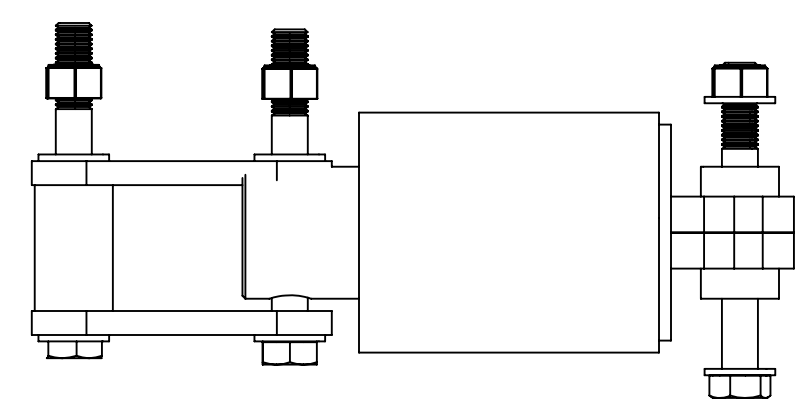
86000 Parts Book



81230



80887



80861
Retro Fit Kit

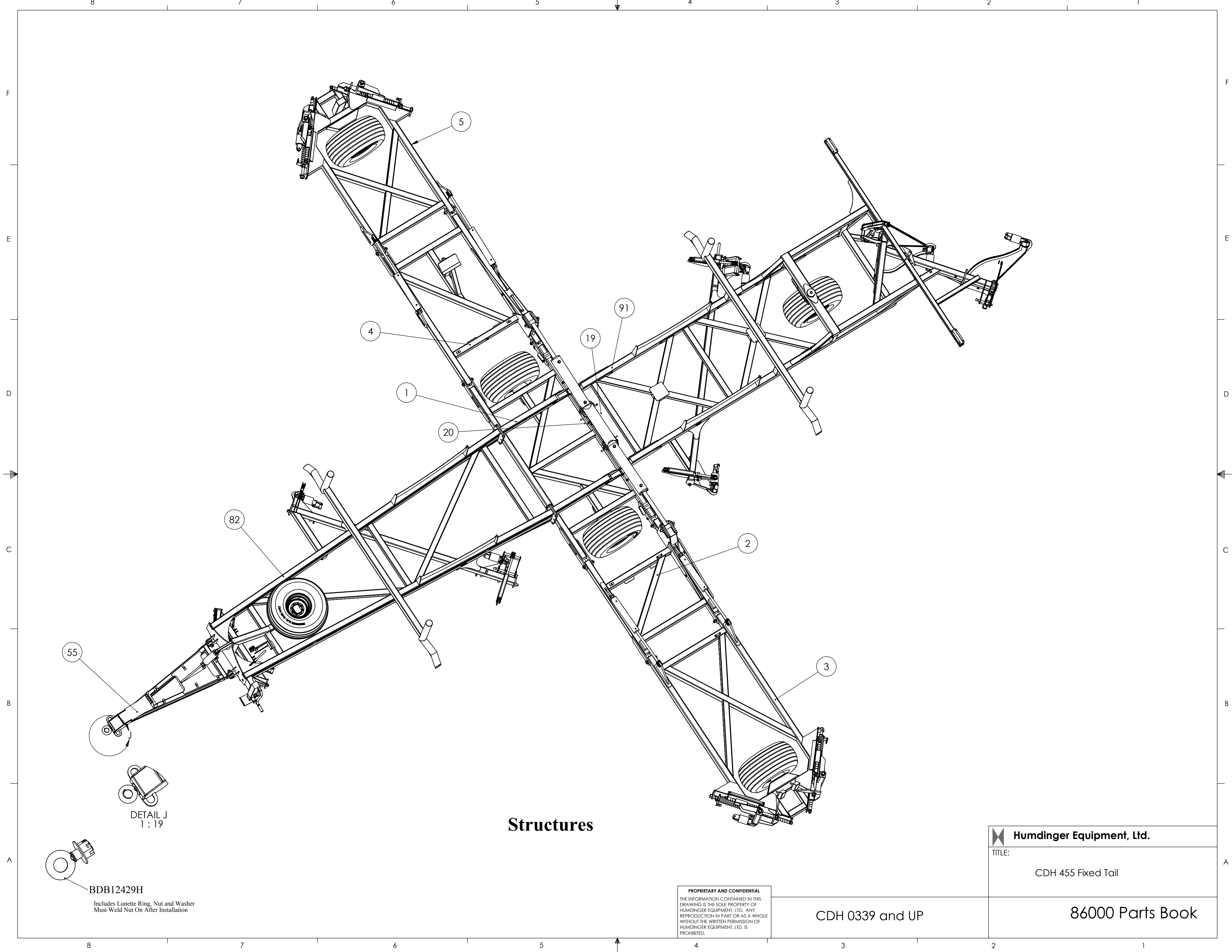
PROPRIETARY AND CONFIDENTIAL
THE INFORMATION CONTAINED IN THIS DRAWING IS THE SOLE PROPERTY OF HUMDINGER EQUIPMENT, LTD. ANY REPRODUCTION IN PART OR AS A WHOLE WITHOUT THE WRITTEN PERMISSION OF HUMDINGER EQUIPMENT, LTD. IS PROHIBITED.

CDH 0339 and UP

Humdinger Equipment, Ltd.

TITLE:
CDH 455 Fixed Tail

86000 Parts Book



Structures

BDB12429H
 Includes Lunette Ring, Nut and Washer
 Must Weld Nut On After Installation

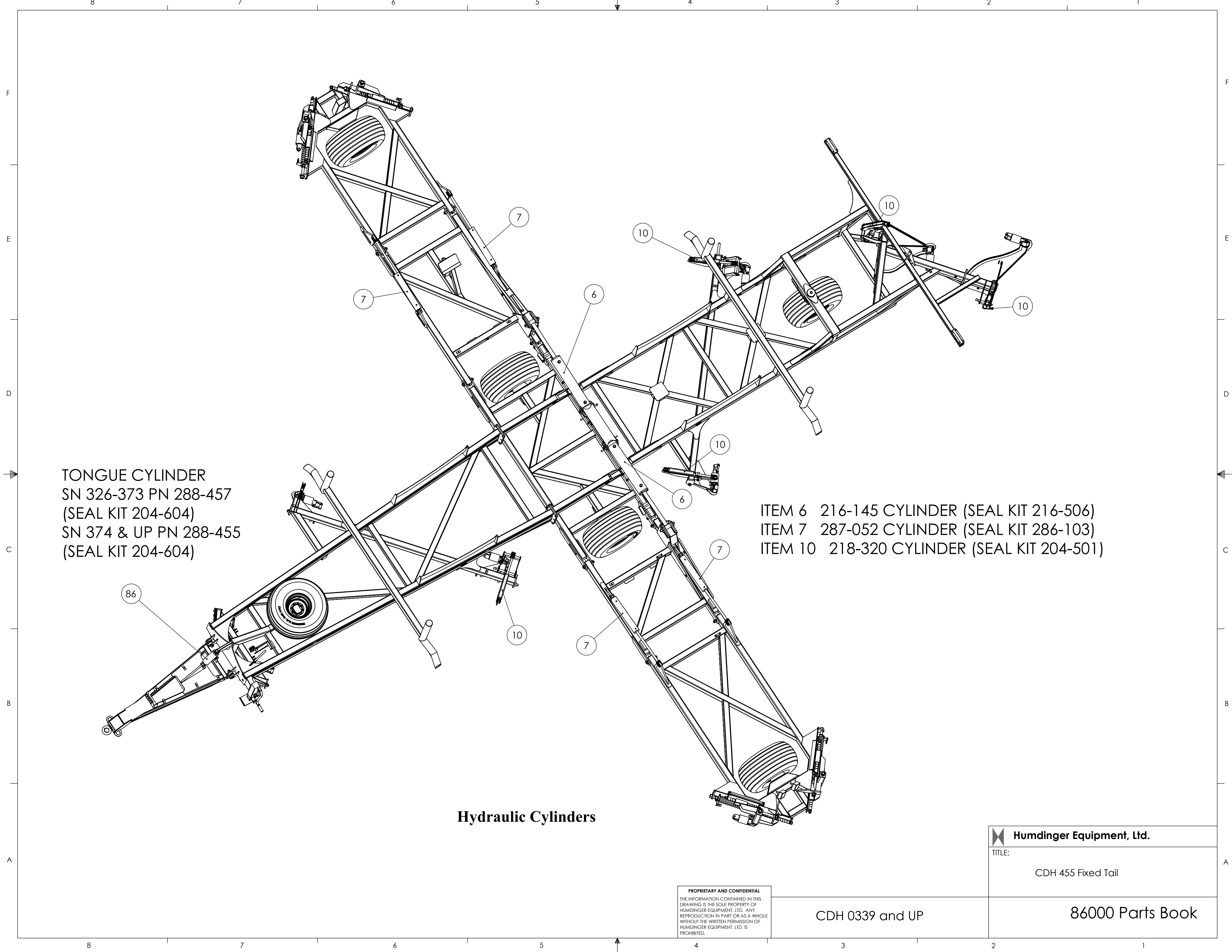
DETAIL J
 1:19

PROPRIETARY AND CONFIDENTIAL
 THE INFORMATION CONTAINED IN THIS
 DRAWING IS THE SOLE PROPERTY OF
 HUMDINGER EQUIPMENT, LTD. ANY
 REPRODUCTION IN PART OR AS A WHOLE
 WITHOUT THE WRITTEN PERMISSION OF
 HUMDINGER EQUIPMENT, LTD. IS
 PROHIBITED.

CDH 0339 and UP

Humdinger Equipment, Ltd.
 TITLE:
 CDH 455 Fixed Tail

86000 Parts Book



TONGUE CYLINDER
 SN 326-373 PN 288-457
 (SEAL KIT 204-604)
 SN 374 & UP PN 288-455
 (SEAL KIT 204-604)

ITEM 6 216-145 CYLINDER (SEAL KIT 216-506)
 ITEM 7 287-052 CYLINDER (SEAL KIT 286-103)
 ITEM 10 218-320 CYLINDER (SEAL KIT 204-501)

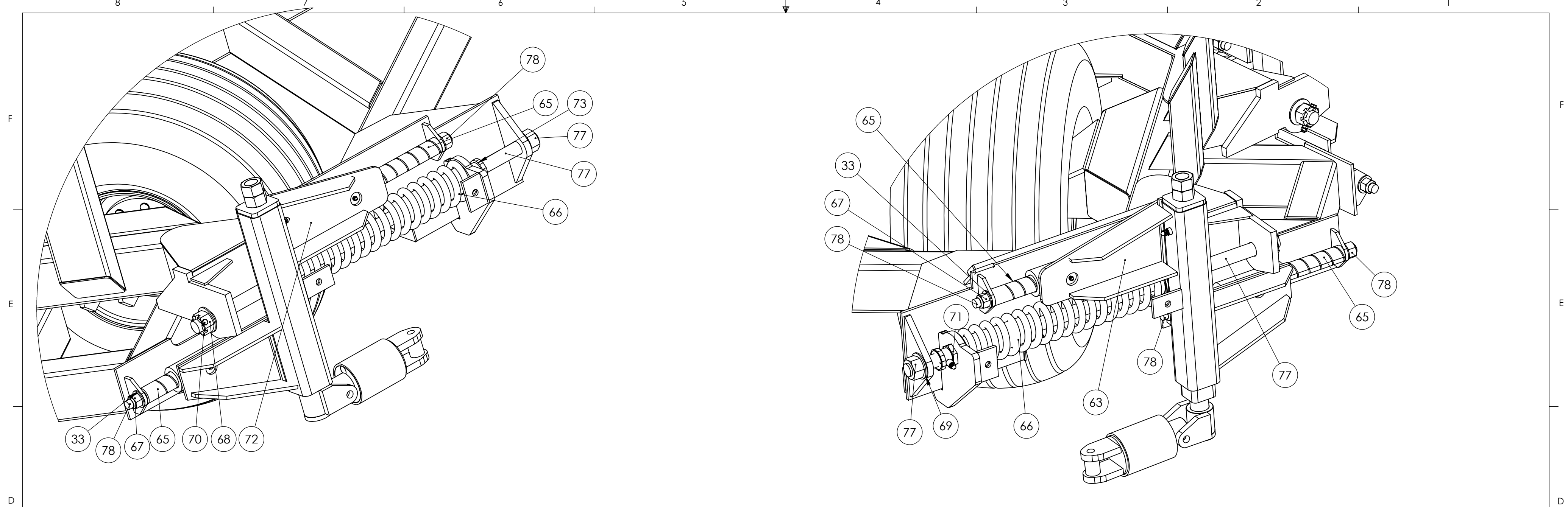
Hydraulic Cylinders

 Humdinger Equipment, Ltd.
TITLE: CDH 455 Fixed Tail

PROPRIETARY AND CONFIDENTIAL
 THE INFORMATION CONTAINED IN THIS
 DRAWING IS THE SOLE PROPERTY OF
 HUMDINGER EQUIPMENT, LTD. ANY
 REPRODUCTION IN PART OR AS A WHOLE
 WITHOUT THE WRITTEN PERMISSION OF
 HUMDINGER EQUIPMENT, LTD. IS
 PROHIBITED.

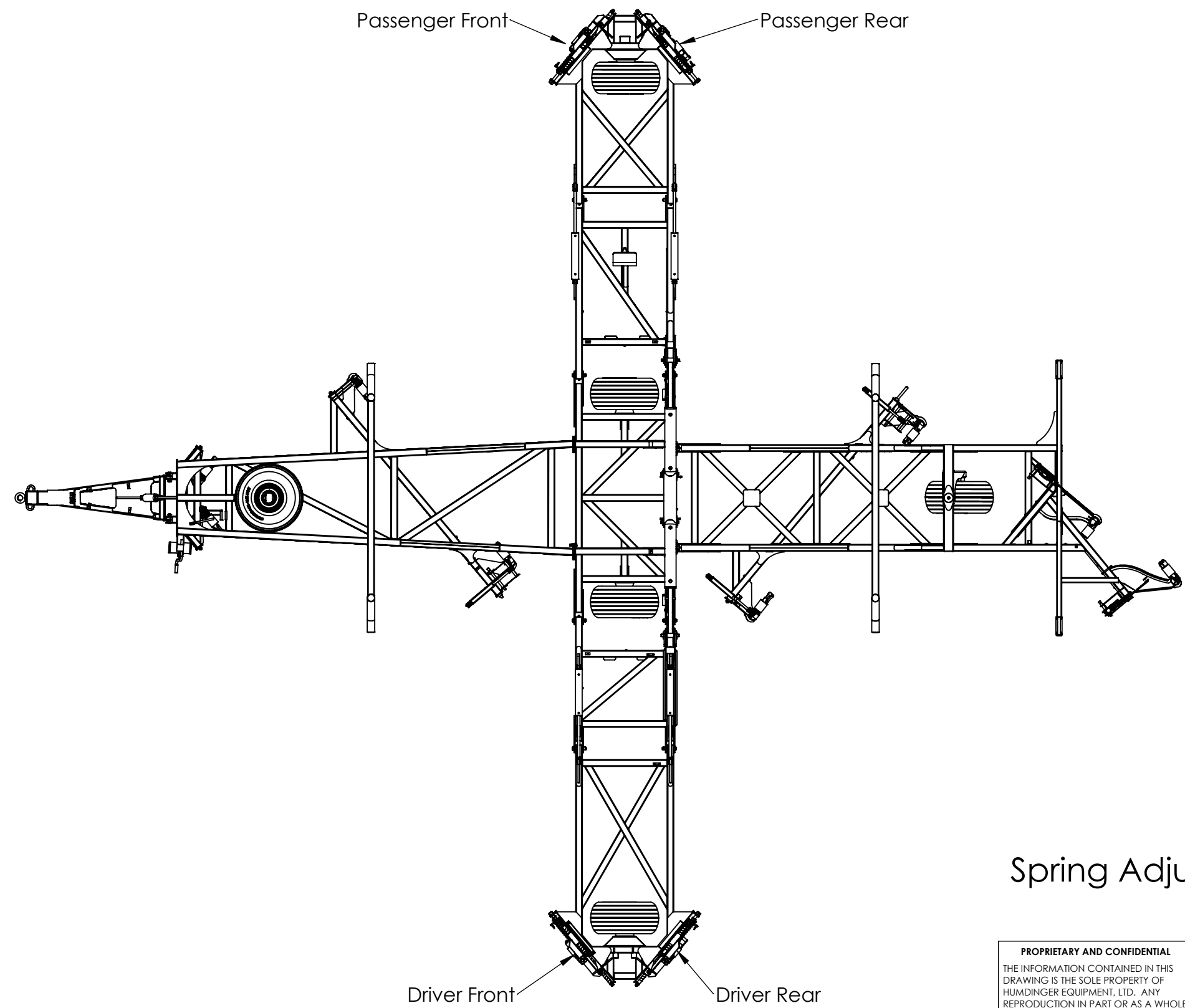
CDH 0339 and UP

86000 Parts Book



This View Used In Driver Side Rear Position and Passenger Side Front Position

This View Used in Driver Side Front Position and Passenger Side Rear Position

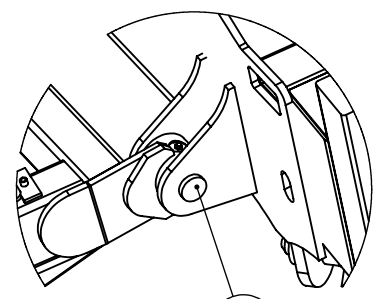


Spring Adjustment Mechanisms

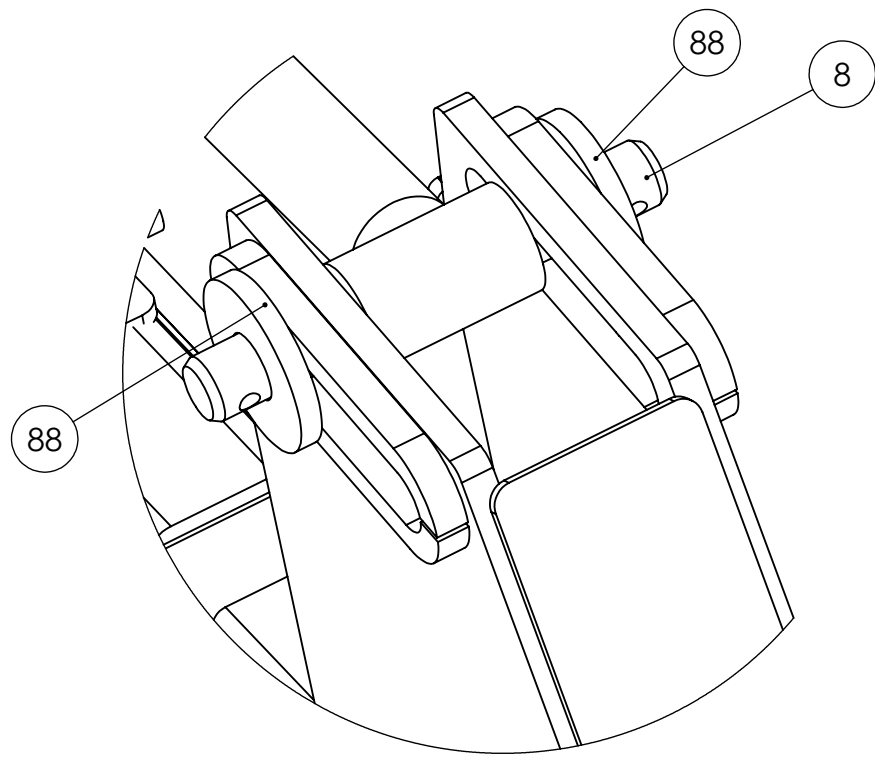
PROPRIETARY AND CONFIDENTIAL
 THE INFORMATION CONTAINED IN THIS DRAWING IS THE SOLE PROPERTY OF HUMDINGER EQUIPMENT, LTD. ANY REPRODUCTION IN PART OR AS A WHOLE WITHOUT THE WRITTEN PERMISSION OF HUMDINGER EQUIPMENT, LTD. IS PROHIBITED.

CDH 0339 and UP

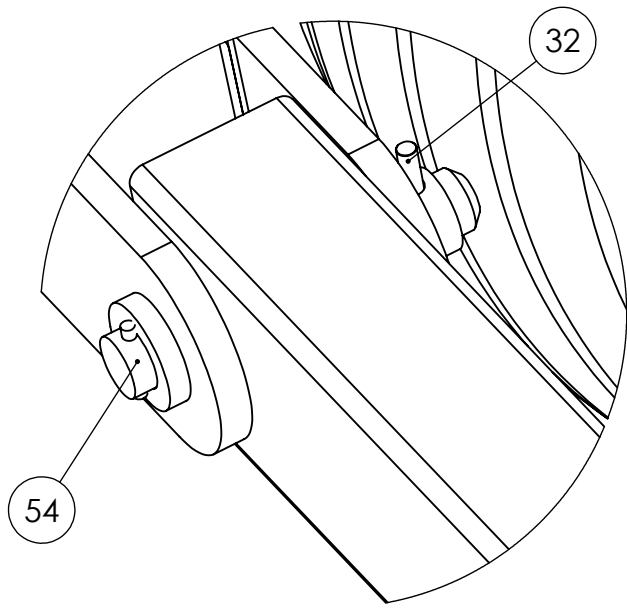
	Humdinger Equipment, Ltd.
TITLE:	CDH 455 Fixed Tail
	86000 Parts Book



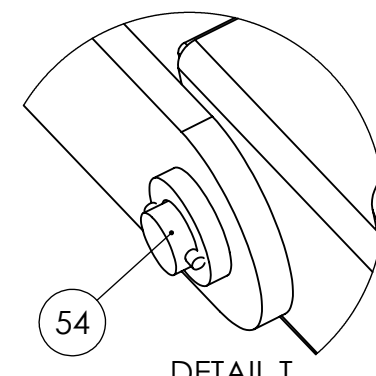
DETAIL N
1:12



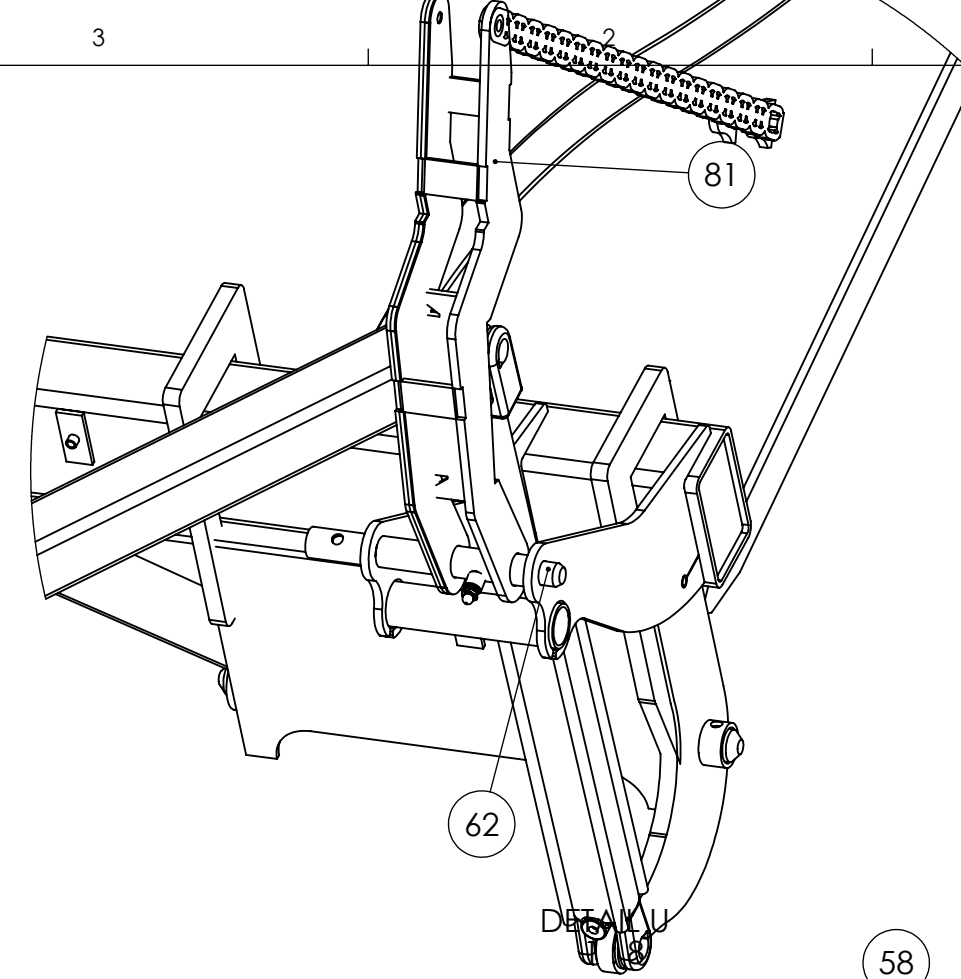
DETAIL P
1:4



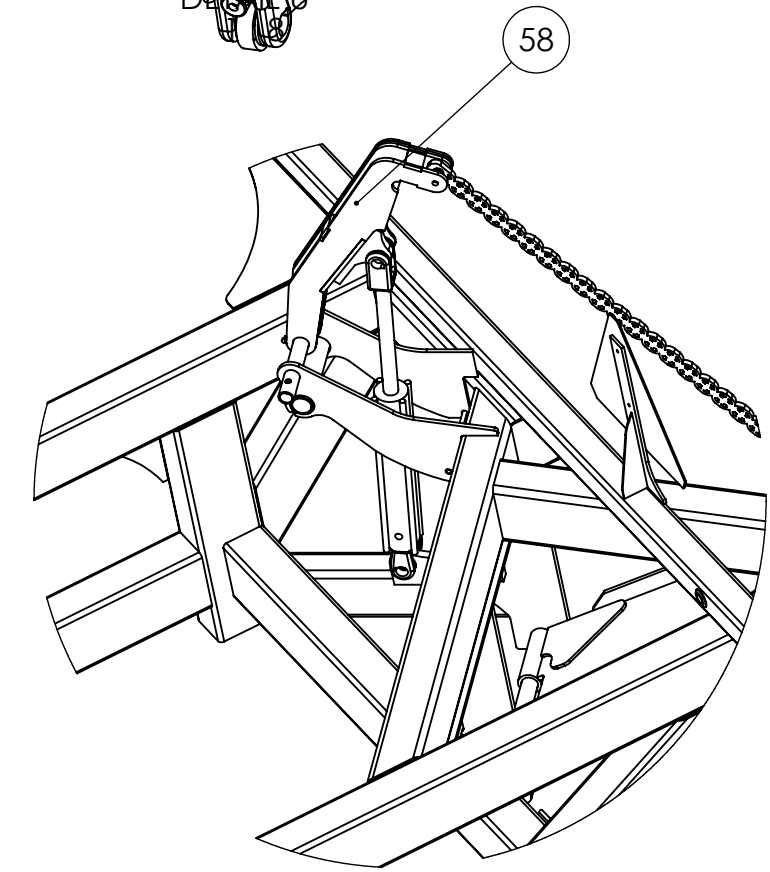
DETAIL R
1:4



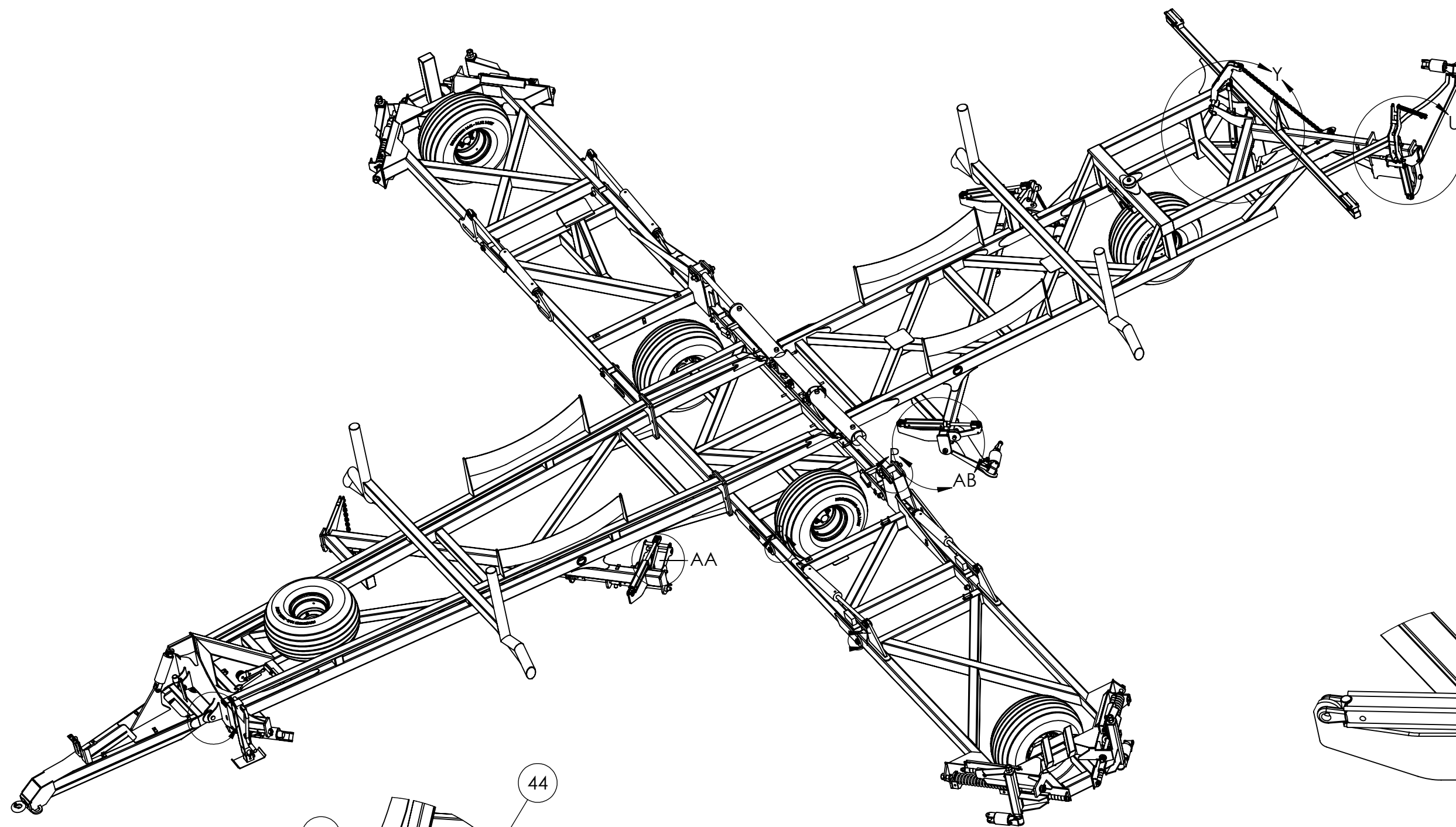
DETAIL T
1:4



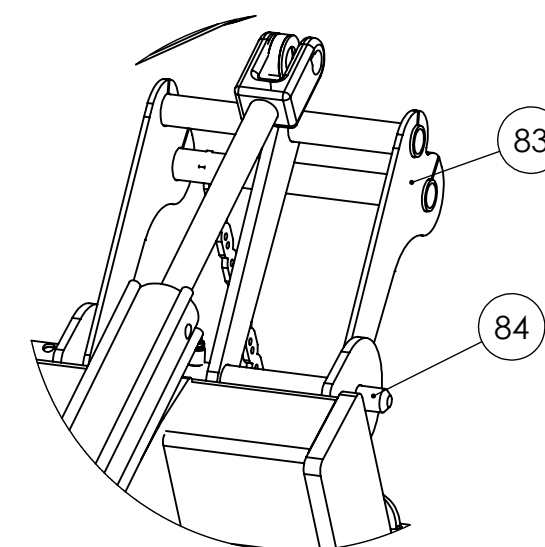
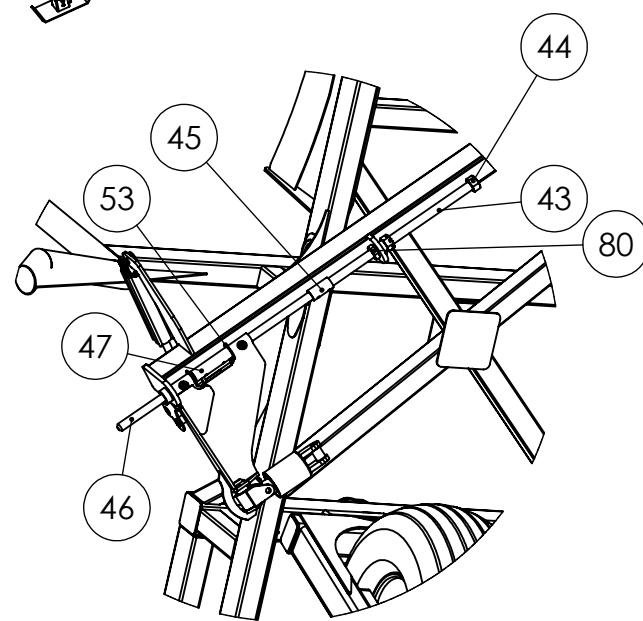
DETAIL U



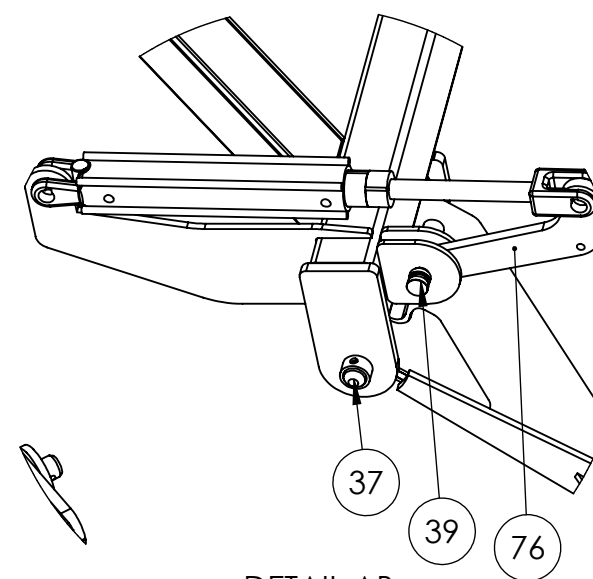
DETAIL Y
1:16



Rear Center Chain Adjustment Details



DETAIL AA
1:8
Typical Two Places



DETAIL AB
1:12

PROPRIETARY AND CONFIDENTIAL
THE INFORMATION CONTAINED IN THIS
DRAWING IS THE SOLE PROPERTY OF
HUMDINGER EQUIPMENT, LTD. ANY
REPRODUCTION IN PART OR AS A WHOLE
WITHOUT THE WRITTEN PERMISSION OF
HUMDINGER EQUIPMENT, LTD. IS
PROHIBITED.

CDH 0339 and UP

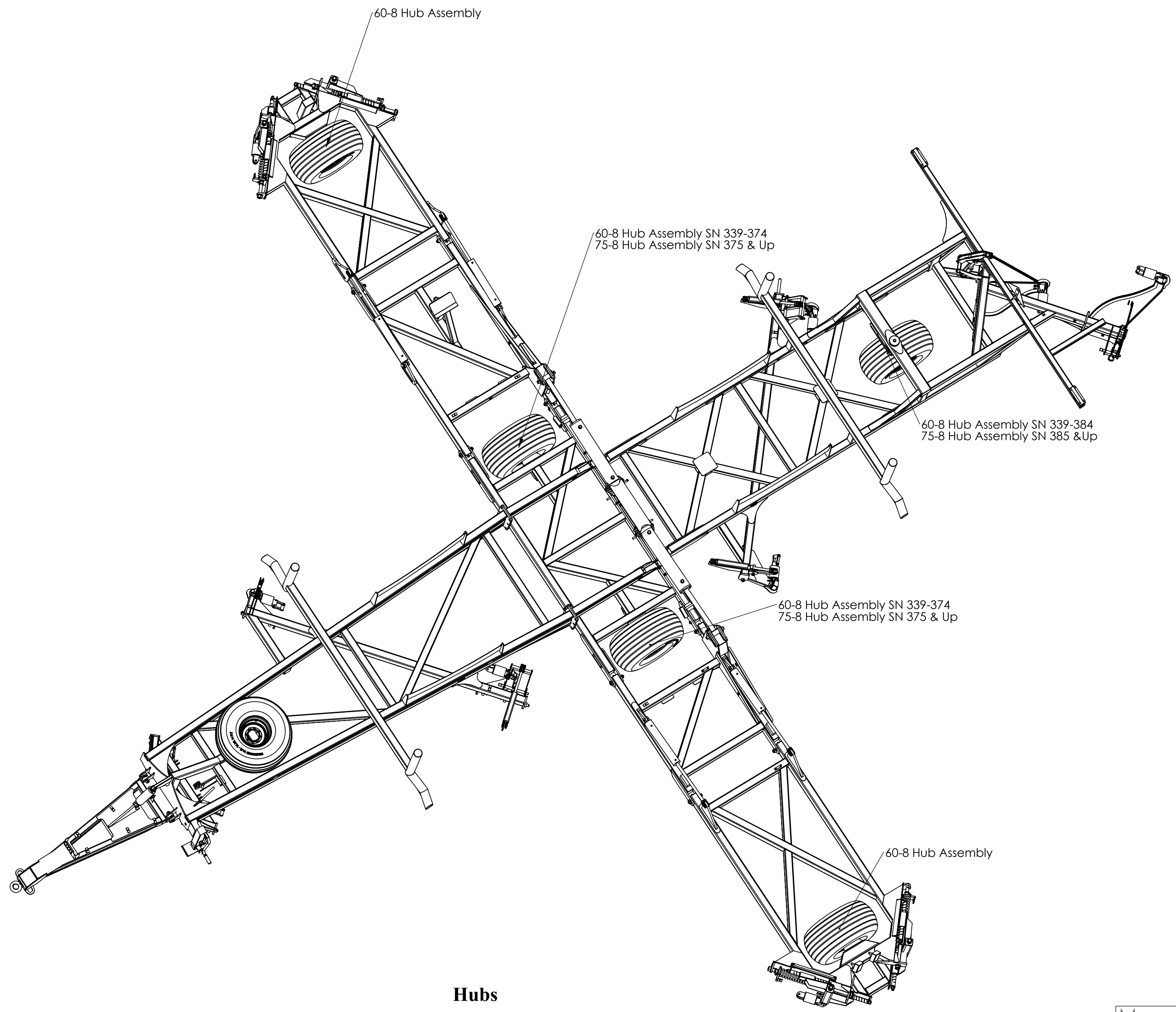
 **Humdinger Equipment, Ltd.**

TITLE:
CDH 455 Fixed Tail

86000 Parts Book

8 7 6 5 4 3 2 1

F
E
D
C
B
A



Hubs

	Humdinger Equipment, Ltd.
TITLE:	
CDH 455 Fixed Tail	

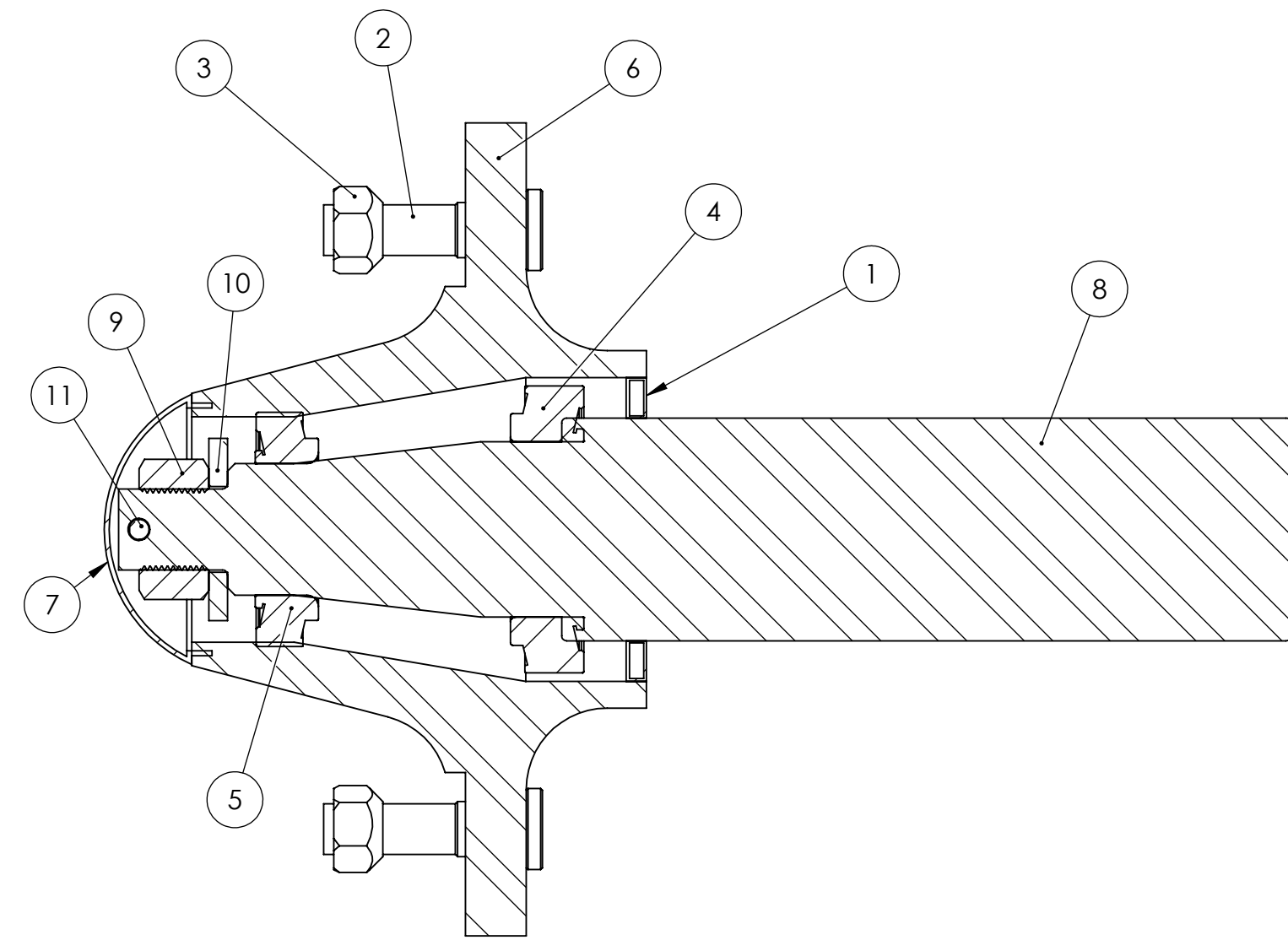
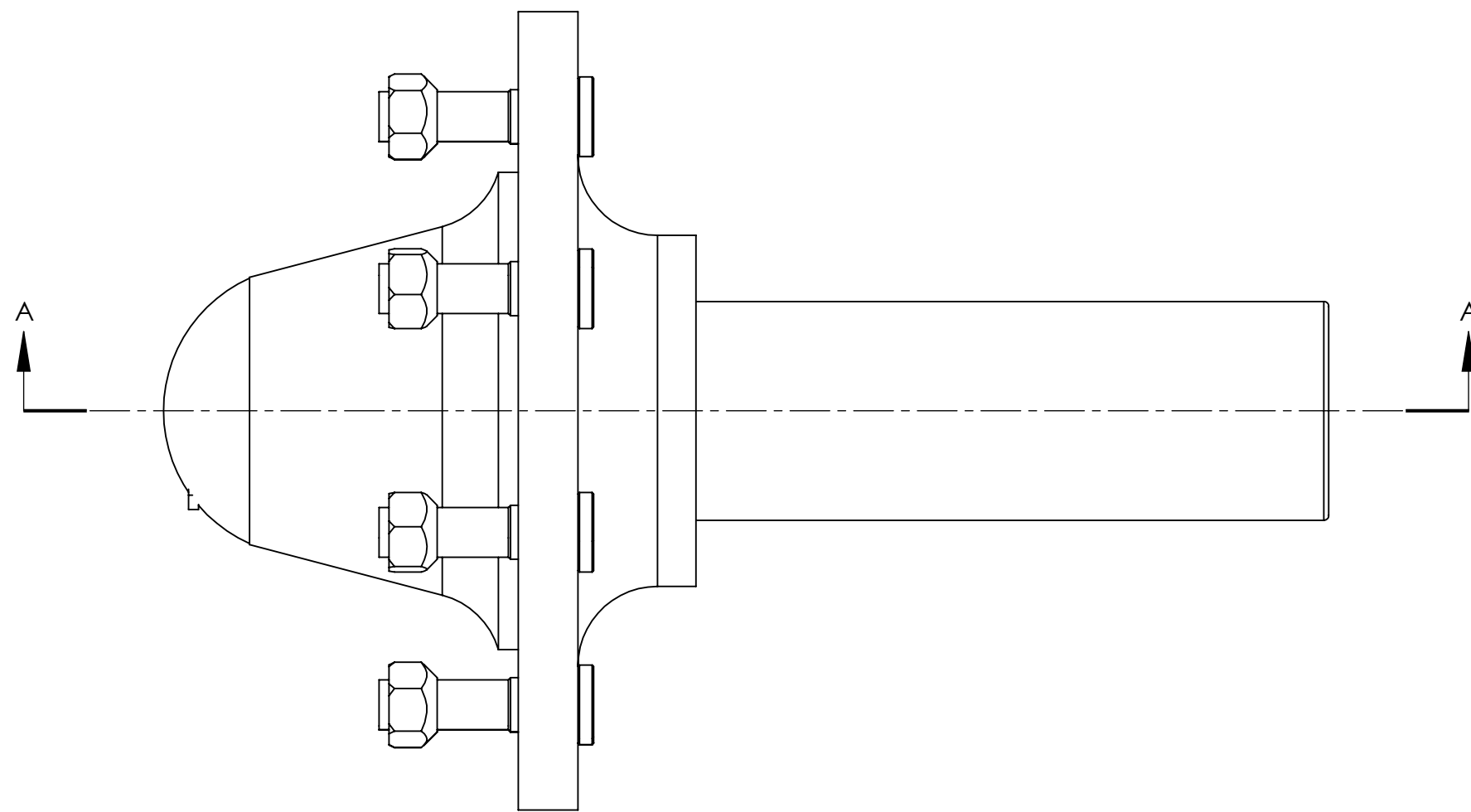
PROPRIETARY AND CONFIDENTIAL
 THE INFORMATION CONTAINED IN THIS
 DRAWING IS THE SOLE PROPERTY OF
 HUMDINGER EQUIPMENT, LTD. ANY
 REPRODUCTION IN PART OR AS A WHOLE
 WITHOUT THE WRITTEN PERMISSION OF
 HUMDINGER EQUIPMENT, LTD. IS
 PROHIBITED.

CDH 0339 and UP

86000 Parts Book

8 7 6 5 4 3 2 1

ITEM NO.	PART NUMBER	DESCRIPTION	QTY.
1	N60-8 SEAL	seal northfield 906486 cr27394	1
2	943541 Northfield	Wheel stud 5/8-18 G8 1 5/8 thd length 2 1/2 Overall	8
3	913557 northfield	5/8-18 Wheel Nut	8
4	JLM506810-JLM506849	910292 cup / 910294 cone	1
5	LM501310-LM501349	outer cup 910272 and cone 910273 for 60 and 75 hubs	1
6	N60-8 Hub	Hub	1
7	81526	909912 Dust cap for 60 and 75	1
8	N281260L	Spindle 60-8	1
9	912959	northfield special nut	1
10	913624	60/75 washer heavy	1
11	905941	northfield cotter	1



SECTION A-A
SCALE 1 : 2

 **Humdinger Equipment, Ltd.**

TITLE:

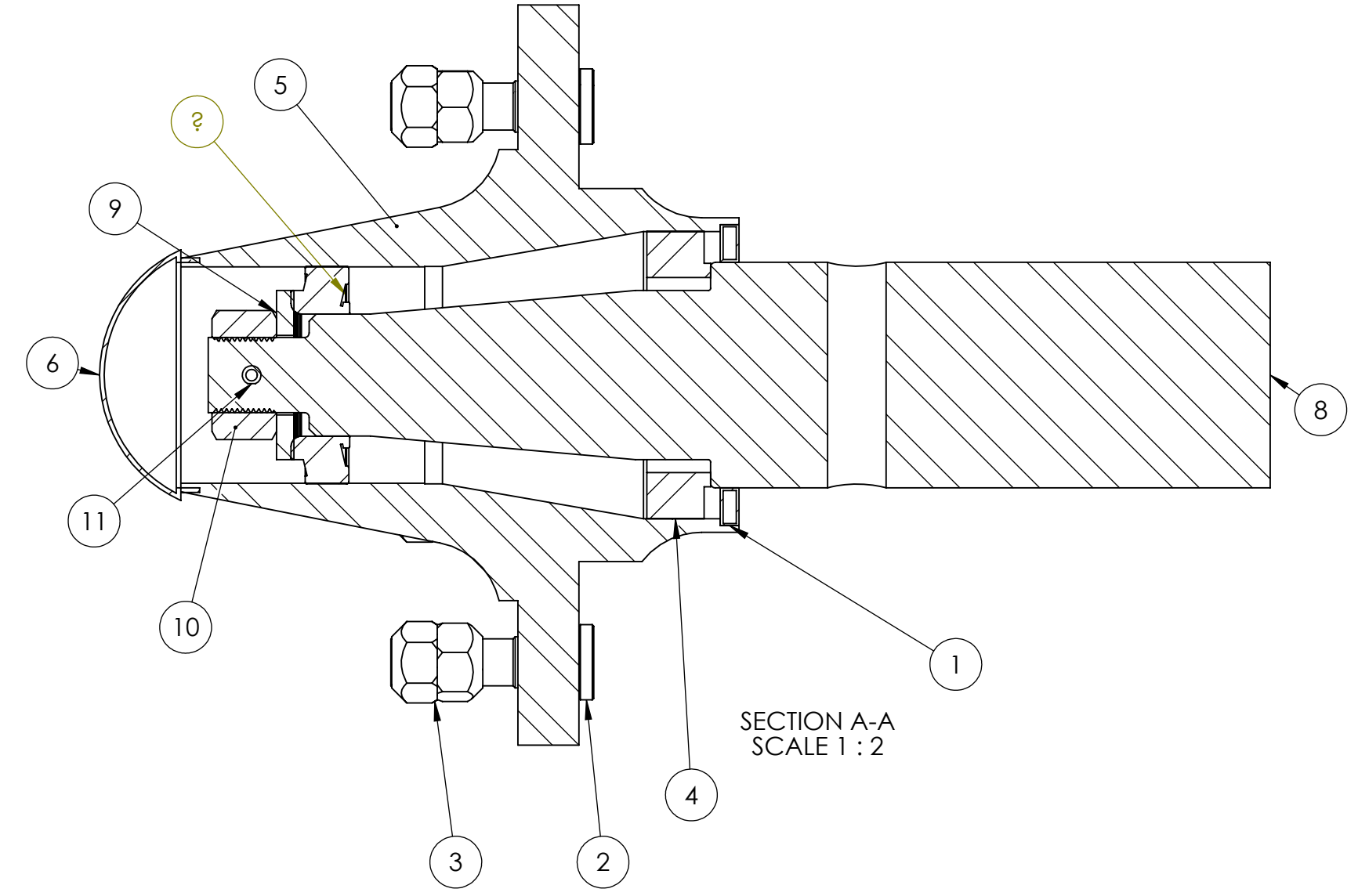
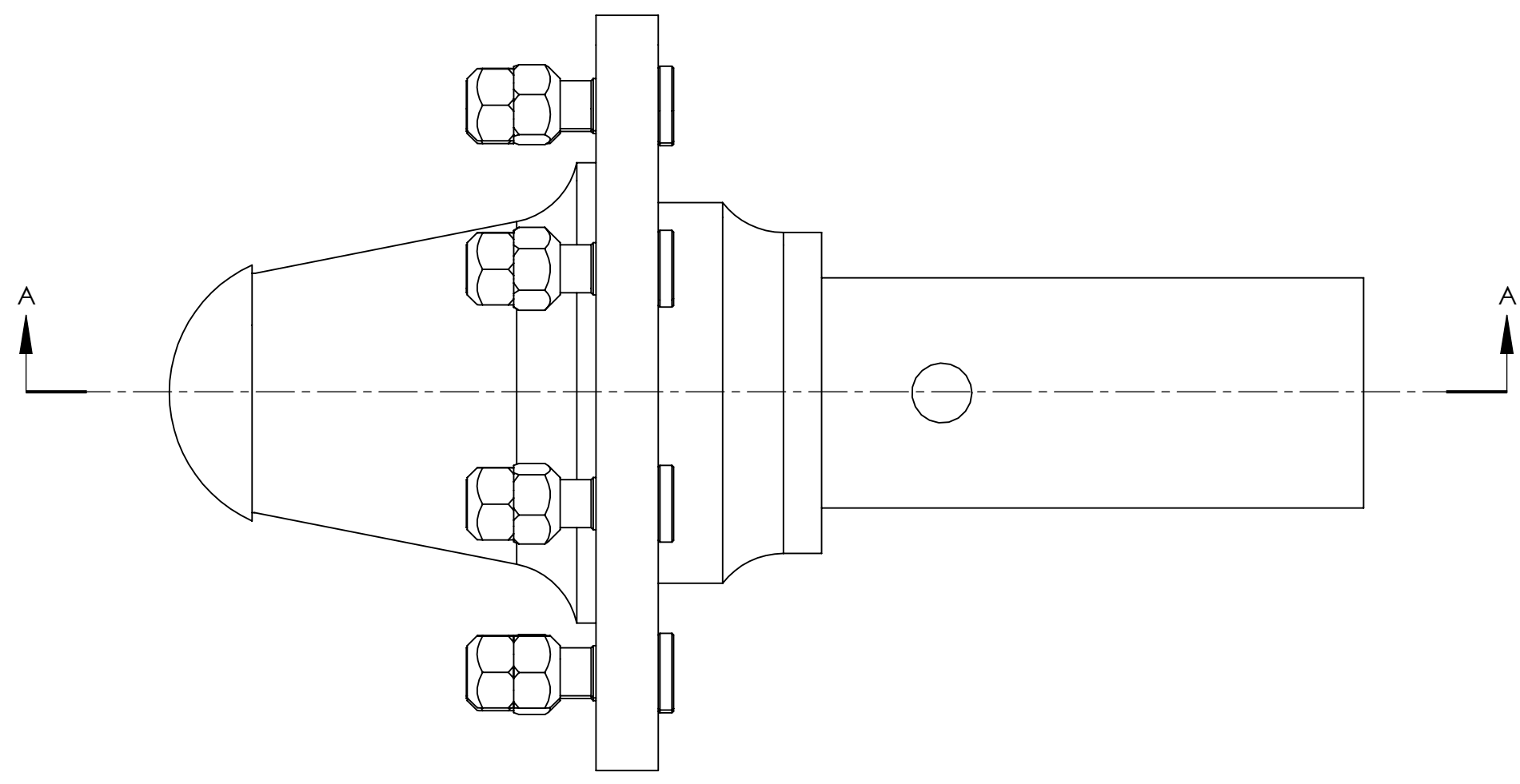
Hub Assembly

PROPRIETARY AND CONFIDENTIAL
THE INFORMATION CONTAINED IN THIS DRAWING IS THE SOLE PROPERTY OF HUMDINGER EQUIPMENT, LTD. ANY REPRODUCTION IN PART OR AS A WHOLE WITHOUT THE WRITTEN PERMISSION OF HUMDINGER EQUIPMENT, LTD. IS PROHIBITED.

S/N CRDA00421 & Up

60-8 HUB WITH SPINDLE GP

ITEM NO.	PART NUMBER	DESCRIPTION	QTY.
1	946486	seal for 75-8 c/r29968	1
2	943541 Northfield	Wheel stud 5/8-18 G8 1 5/8 thd length 2 1/2 Overall	8
3	913557 northfield	5/8-18 Wheel Nut	16
4	387AS-382A	75-8 bearings 910358 Cup/ 910359 Cone	1
5	221189	Hub	1
6	909912	909912 Dust cap for 60 and 75	1
7	LM501310-LM501349	outer cup 910272 and cone 910273 for 60 and 75 hubs	1
8	281911	Spindle 75-8	1
9	913624	60/75 washer heavy	1
10	912959	northfield special nut	1
11	905941	northfield cotter	1



Used in Transport Wheels CDH 375 and Up
 Used in Caster Wheel CDH 383 and Up

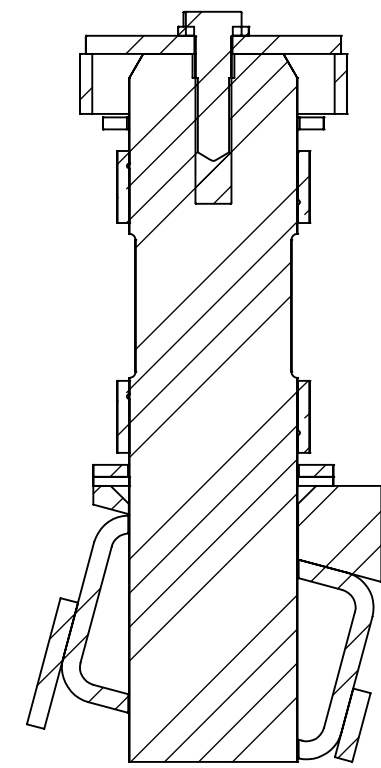
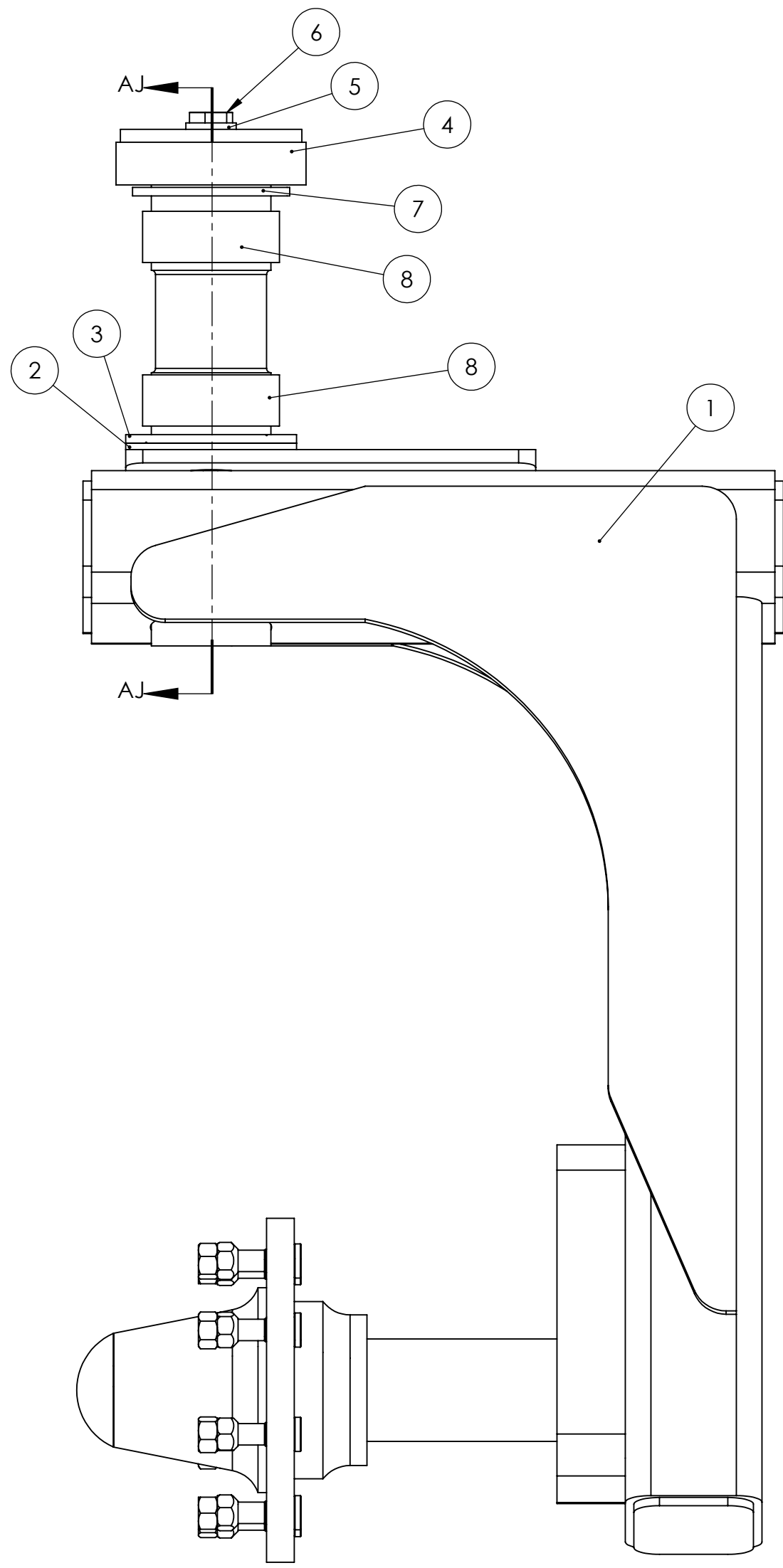
Humdinger Equipment, Ltd.
 TITLE:
 Hub Assembly 7500 Lb

S/N CRDA00421 & Up

75-8 HUB AND SPINDLE GP PB

PROPRIETARY AND CONFIDENTIAL
 THE INFORMATION CONTAINED IN THIS DRAWING IS THE SOLE PROPERTY OF HUMDINGER EQUIPMENT, LTD. ANY REPRODUCTION IN PART OR AS A WHOLE WITHOUT THE WRITTEN PERMISSION OF HUMDINGER EQUIPMENT, LTD. IS PROHIBITED.

ITEM NO.	PART NUMBER	DESCRIPTION	QTY.
1	81585	Caster For Machine One 3.5" Shaft & 75-8 Spindle	1
2	80701	Thrust Washer	1
3	80880	Thrust Plate	1
4	80687	tail cap	1
5	.75 FW HD	Flat Washer Grade 8	1
6	.75-10-3.50	Hex Bolt Grade 8	1
7	80875	bushing retainer	1
8	80702	Bronze Bearing - 3 1/2 shaft	2



For SN 375 and UP
Must Use With Heavy Duty Rim

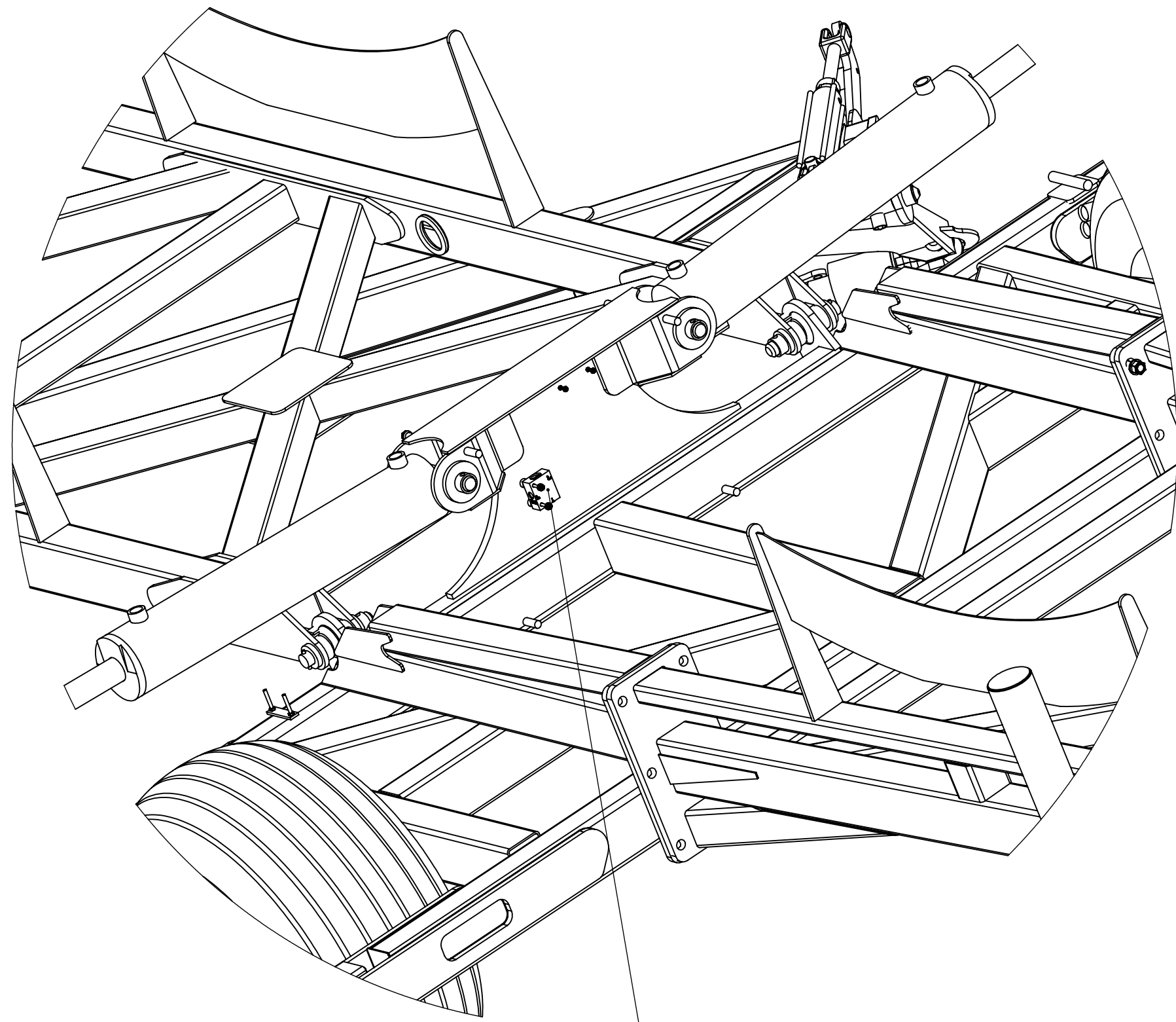
Item 7 Welds TO Frame to Retain Bearings

Humdinger Equipment, Ltd.
TITLE:
CDH 455 Fixed Tail

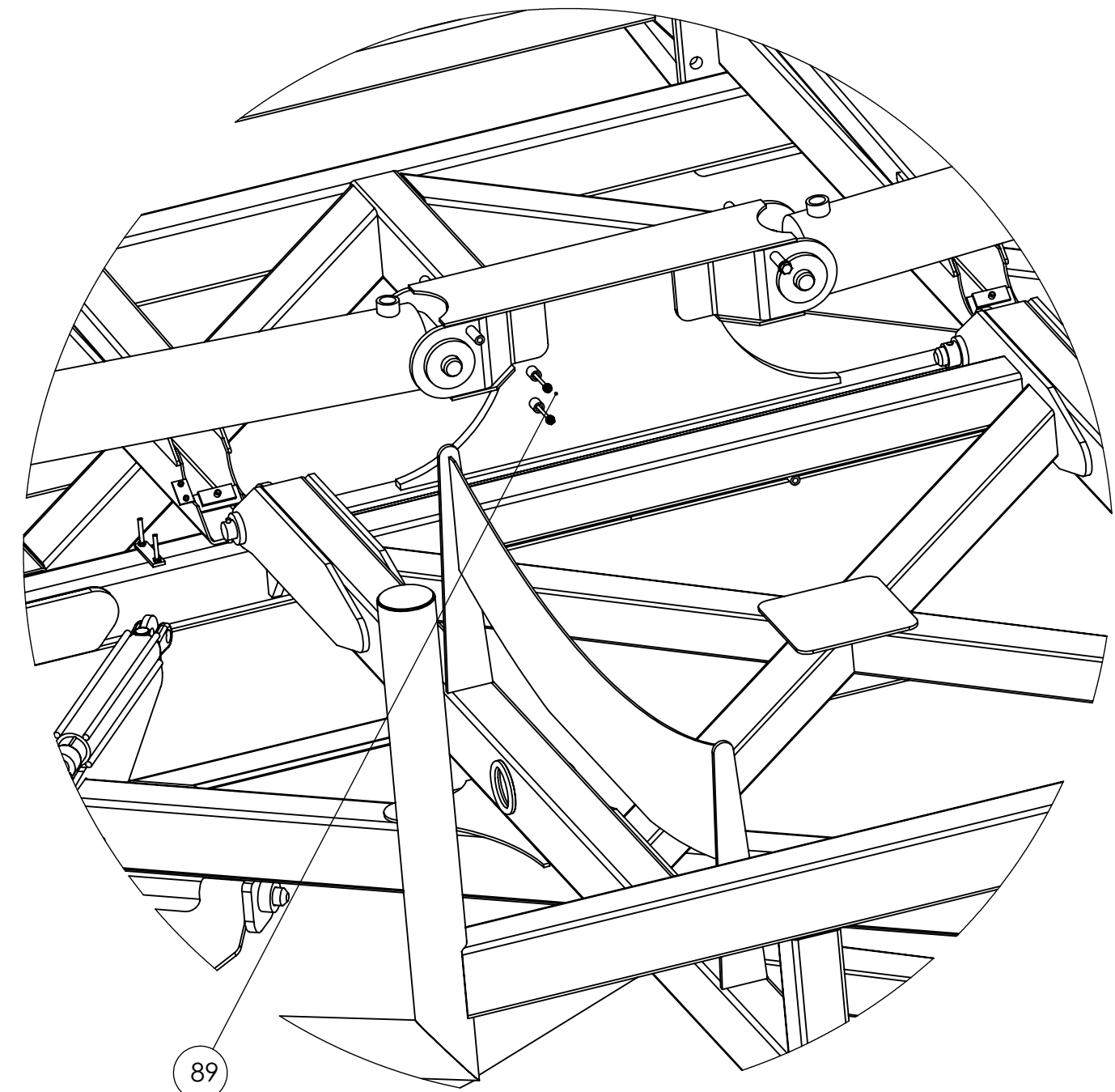
PROPRIETARY AND CONFIDENTIAL
THE INFORMATION CONTAINED IN THIS DRAWING IS THE SOLE PROPERTY OF HUMDINGER EQUIPMENT, LTD. ANY REPRODUCTION IN PART OR AS A WHOLE WITHOUT THE WRITTEN PERMISSION OF HUMDINGER EQUIPMENT, LTD. IS PROHIBITED.

CDH 0339 and UP

86000 Parts Book



Front View



Rear View

DETAIL AR
1 : 12

PROPRIETARY AND CONFIDENTIAL
THE INFORMATION CONTAINED IN THIS
DRAWING IS THE SOLE PROPERTY OF
HUMDINGER EQUIPMENT, LTD. ANY
REPRODUCTION IN PART OR AS A WHOLE
WITHOUT THE WRITTEN PERMISSION OF
HUMDINGER EQUIPMENT, LTD. IS
PROHIBITED.

CDH 0339 and UP

Humdinger Equipment, Ltd.

TITLE:
CDH 455 Fixed Tail

86000 Parts Book

8

7

6

5

4

3

2

1

F

E

D

C

B

A

F

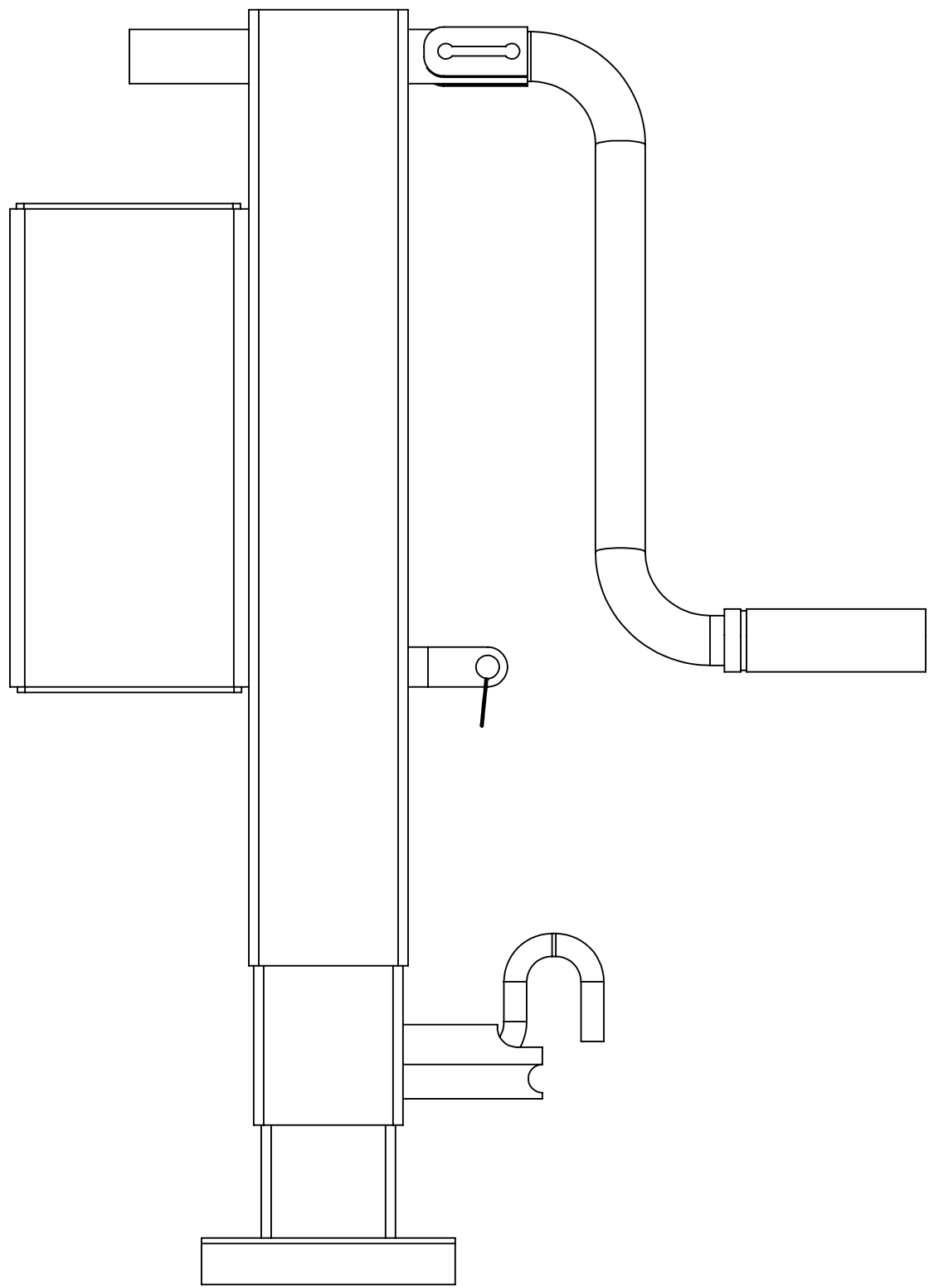
E

D

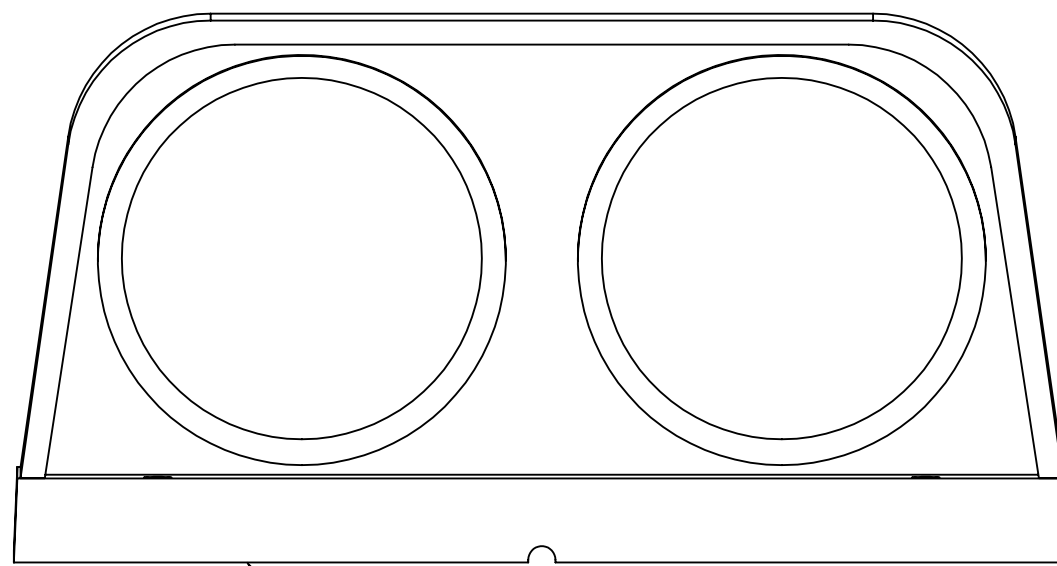
C

B

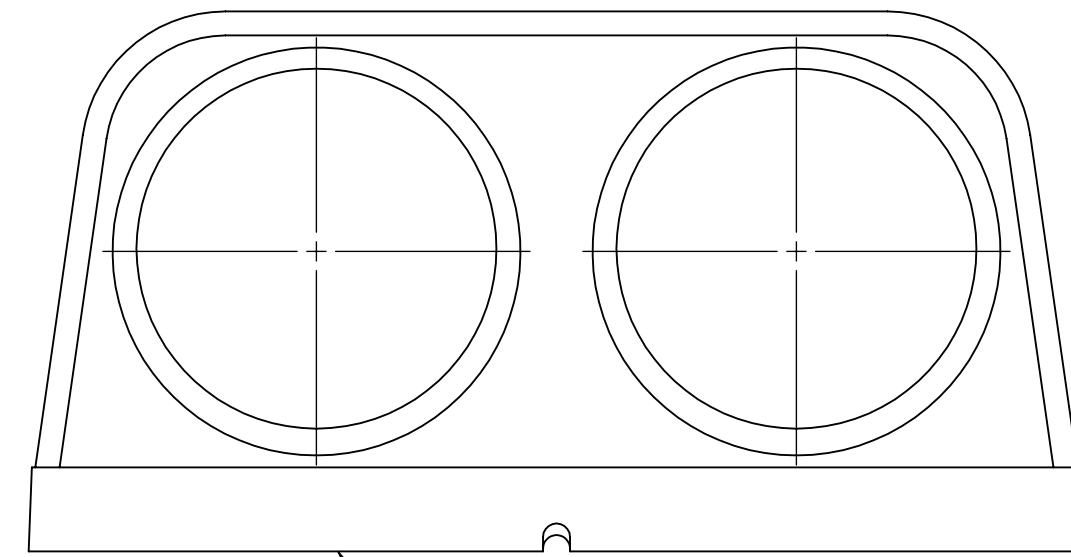
A



81626 Jack Assembly



318L LED Driver Side



318R LED Passenger Side

LED Unit CDH 389 & Up

 **Humdinger Equipment, Ltd.**

TITLE:
CDH 455 Fixed Tail

PROPRIETARY AND CONFIDENTIAL
THE INFORMATION CONTAINED IN THIS DRAWING IS THE SOLE PROPERTY OF HUMDINGER EQUIPMENT, LTD. ANY REPRODUCTION IN PART OR AS A WHOLE WITHOUT THE WRITTEN PERMISSION OF HUMDINGER EQUIPMENT, LTD. IS PROHIBITED.

CDH 0339 and UP

86000 Parts Book

8

7

6

5

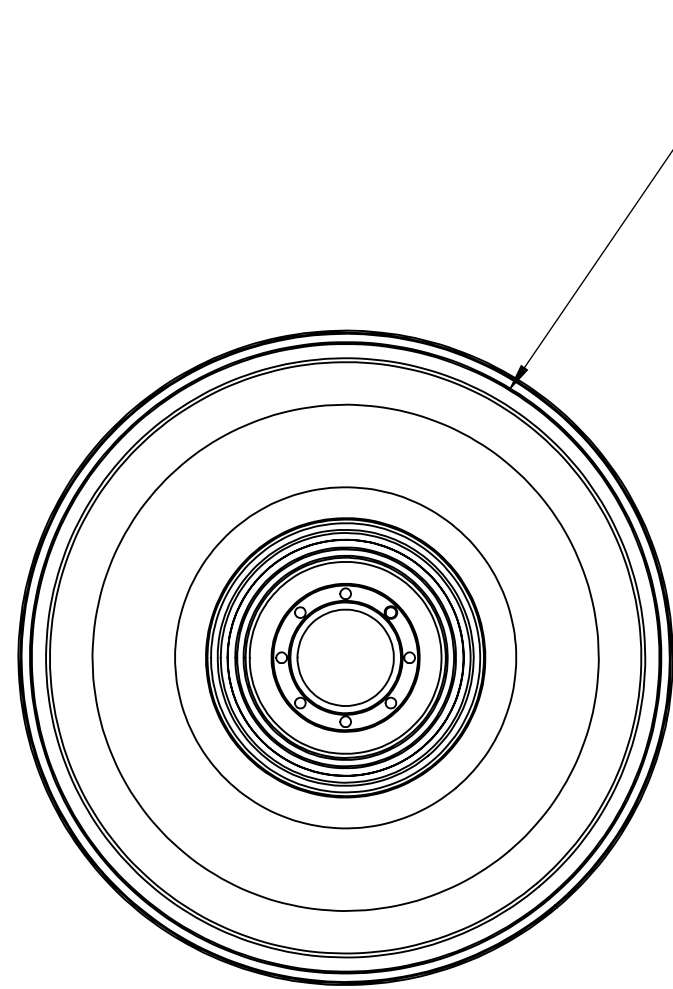
4

3

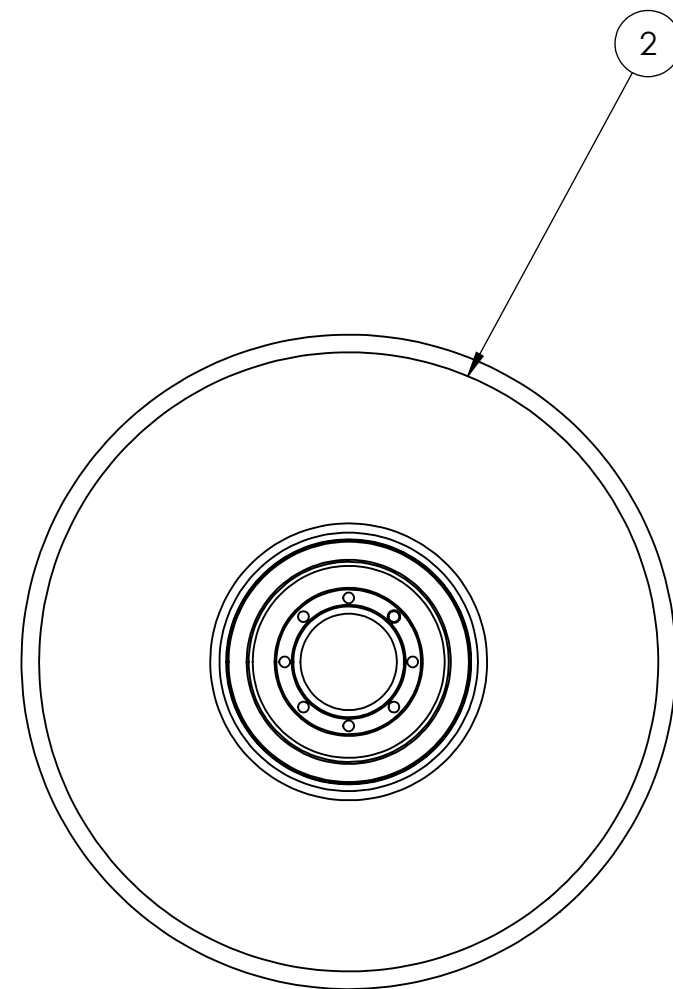
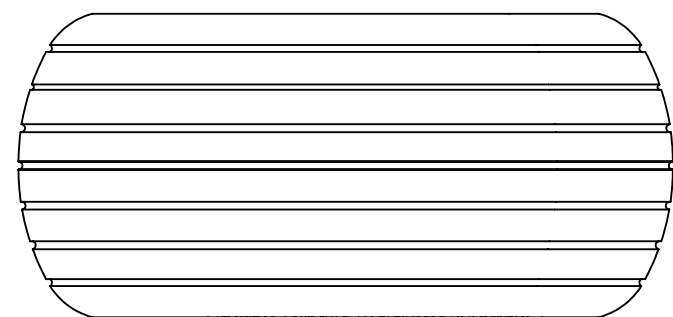
2

1

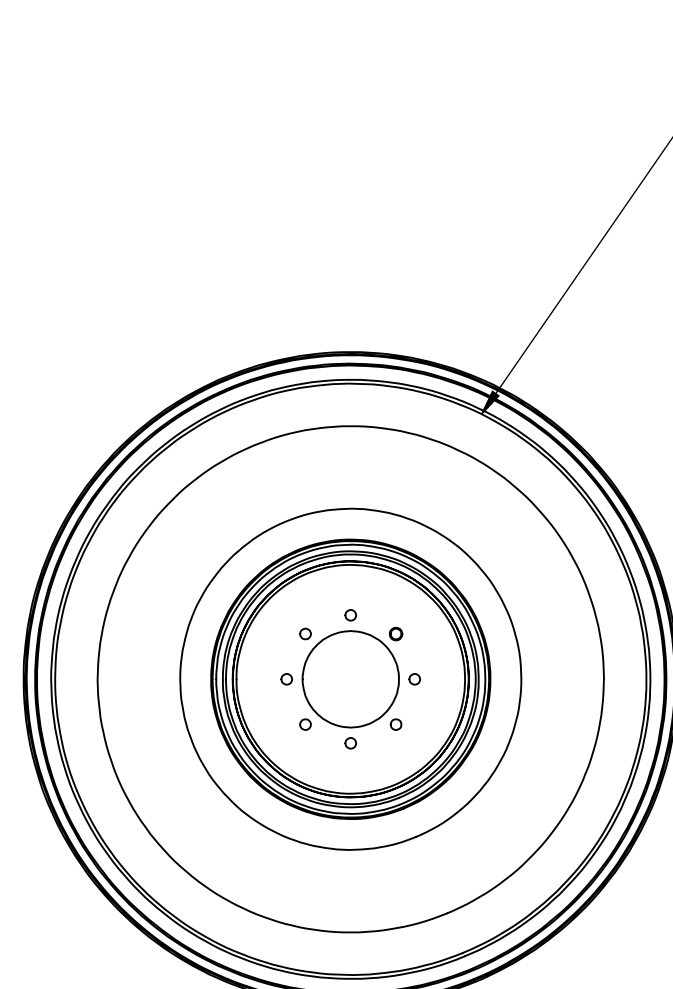
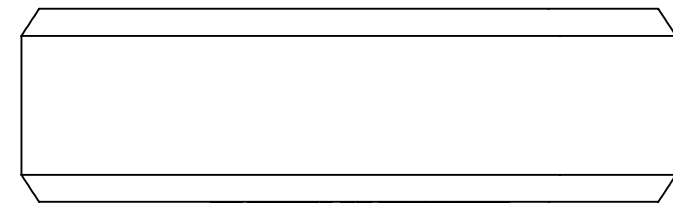
ITEM NO.	PART NUMBER	DESCRIPTION	QTY.
1	80333	14 Ply Tire and Wheel Gp	1
	108189 TITAN	Wheel 16.1 x 14ch	1
	80334	16.5L - 16.1 14 PLY	1
2	81675	14 Ply Tire and Wheel Gp	1
	81739	Wheel-Truck Style	1
	81676	Wing Tire	1
3	80333HEAVY REAR CASTOR ASSY	8000 Lb Tire and Wheel Gp	1
	81621	Titan 8K Heavy Wheel As	1
	80334	16.5L - 16.1 14 PLY	1



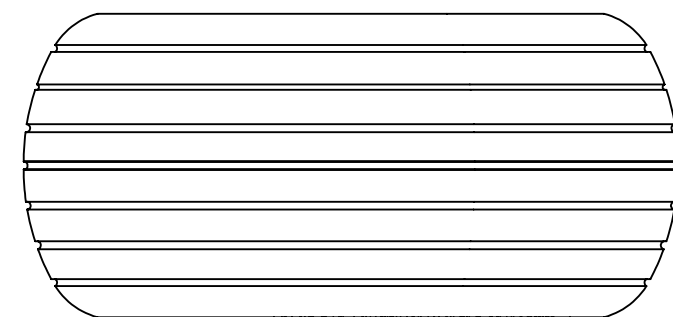
Transport Wheel Gp



Wing Wheel Gp
Low Bounce



Caster Wheel Gp



Caster Wheel Gp

 **Humdinger Equipment, Ltd.**

TITLE: CDH 455 Wheel Gps

PROPRIETARY AND CONFIDENTIAL
THE INFORMATION CONTAINED IN THIS
DRAWING IS THE SOLE PROPERTY OF
HUMDINGER EQUIPMENT, LTD. ANY
REPRODUCTION IN PART OR AS A WHOLE
WITHOUT THE WRITTEN PERMISSION OF
HUMDINGER EQUIPMENT, LTD. IS
PROHIBITED.

S/N CRDA00421 & Up

Wheel Assemblies CDH