

AMENITY PRODUCTS

P24	Disc 200 12W HF
P25	Disc 250 12W HF
P26	Disc 250 12W M3
P27	Disc 300 18W HF
P28	Disc 300 18W M3
P29	Disc 300 25W HF
P30	Disc 300 25W M3
P31	Disc 350 25W HF
P32	Bora
P33	Zephyr
P34	Spruce
P35	Shamal
P36	Neptune
P37	Mato
P38	Galaxy
P39	Bristol
P40	Buran
P41	Box

DISC 200 12W HF

AMENITY

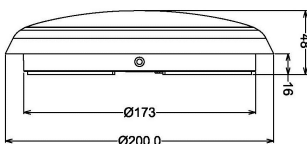
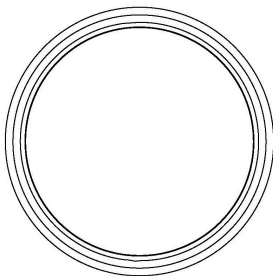


Slim IP54 Circular surface mounted LED luminaire. White polycarbonate body available with mains dimming function Suitable for a wide range of commercial and residential applications.

TECHNICAL SPECIFICATION

Mains Supply:	230-240V AC 50/60Hz
Light Source:	12W LED 2835 SMD
Colour Rendering:	CRI>80
Ambient Temperature:	-20°C...+50°C
Beam Angle:	120°
Life Time:	40,000 Hours

LINE DRAWING



OPTIONS

Fitting:	Light Source:	Wattage:	Colour:
DISK 200 HF	LED	12W	WH
Options:			
Colour Temp Options:			
3000K 1020 Lumens			
4000K 1120 Lumens			

DISC 250 12W HF

AMENITY

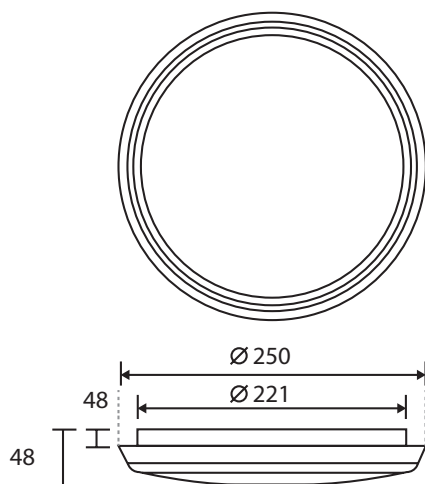


Slim IP54 Circular surface mounted LED luminaire. White polycarbonate body available with mains dimming function. Suitable for a wide range of commercial and residential applications.

TECHNICAL SPECIFICATION

Mains Supply:	230-240V AC 50/60Hz
Light Source:	12W LED 2835 SMD
Colour Rendering:	CRI>80
Ambient Temperature:	-20°C...+50°C
Beam Angle:	120°
Life Time:	40,000 Hours

LINE DRAWING



OPTIONS

Fitting:	Light Source:	Wattage:	Colour:
DISK 250 HF	LED	12W	WH
Options:			
Colour Temp Options:			
3000K 996 Lumens			
4000K 1068 Lumens			

DISC 250 12W M3

AMENITY

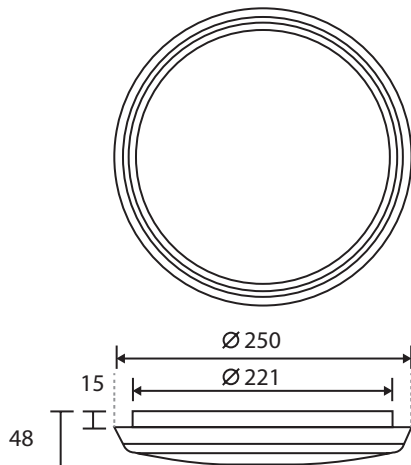


Slim IP54 Circular surface mounted LED luminaire. White polycarbonate body with complete with 3HR integral emergency. Suitable for a wide range of commercial and residential applications.

TECHNICAL SPECIFICATION

Mains Supply:	230-240V AC 50/60Hz
Light Source:	12W LED 2835 SMD
Colour Rendering:	CRI>80
Ambient Temperature:	-20°C...+50°C
Beam Angle:	120°
Life Time:	40,000 Hours

LINE DRAWING



OPTIONS

Fitting:	Light Source:	Wattage:	Colour:
DISK 250 M3	LED	12W	WH
Options:			
Colour Temp Options:			
3000K 1020 Lumens			
4000K 1120 Lumens			

DISC 300 18W HF

AMENITY

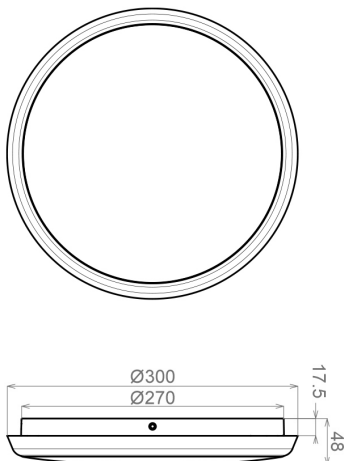


Slim IP54 Circular surface mounted LED luminaire. White polycarbonate body available with mains dimming function. Suitable for a wide range of commercial and residential applications.

TECHNICAL SPECIFICATION

Mains Supply:	230-240V AC 50/60Hz
Light Source:	18W LED 2835 SMD
Colour Rendering:	CRI>80
Ambient Temperature:	-20°C...+50°C
Beam Angle:	120°
Life Time:	40,000 Hours

LINE DRAWING



OPTIONS

Fitting:	Light Source:	Wattage:	Colour:
DISK 300 HF	LED	18W	WH
Options:			
Colour Temp Options:			
3000K 996 Lumens			
4000K 1068 Lumens			

DISC 300 18W M3

AMENITY

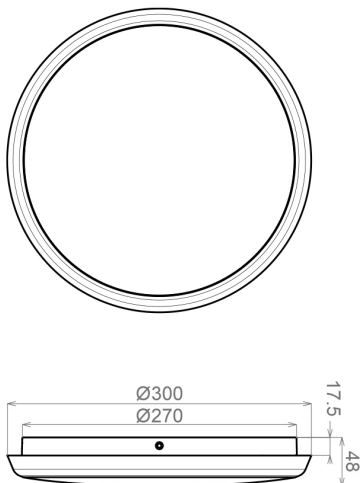


Slim IP54 Circular surface mounted LED luminaire. White polycarbonate body with complete with 3HR integral emergency. Suitable for a wide range of commercial and residential applications.

TECHNICAL SPECIFICATION

Mains Supply:	230-240V AC 50/60Hz
Light Source:	18W LED 2835 SMD
Colour Rendering:	CRI>80
Ambient Temperature:	-20°C...+50°C
Beam Angle:	120°
Life Time:	40,000 Hours

LINE DRAWING



OPTIONS

Fitting:	Light Source:	Wattage:	Colour:
DISK 300 M3	LED	18W	WH
Options:			
Colour Temp Options:			
3000K 1530 Lumens			
4000K 1620 Lumens			

DISC 300 25W HF

AMENITY

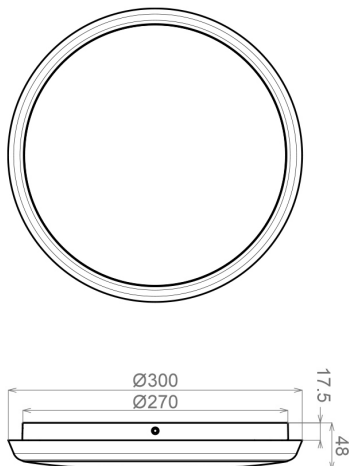


Slim IP54 Circular surface mounted LED luminaire. White polycarbonate body available with mains dimming function. Suitable for a wide range of commercial and residential applications.

TECHNICAL SPECIFICATION

Mains Supply:	230-240V AC 50/60Hz
Light Source:	25W LED 2835 SMD
Colour Rendering:	CRI>80
Ambient Temperature:	-20°C...+50°C
Beam Angle:	120°
Life Time:	40,000 Hours

LINE DRAWING



OPTIONS

Fitting:	Light Source:	Wattage:	Colour:
DISK 300 HF	LED	25W	WH
Options:			
Colour Temp Options:			
3000K 2000 Lumens			
4000K 2250 Lumens			

DISC 300 25W M3

AMENITY

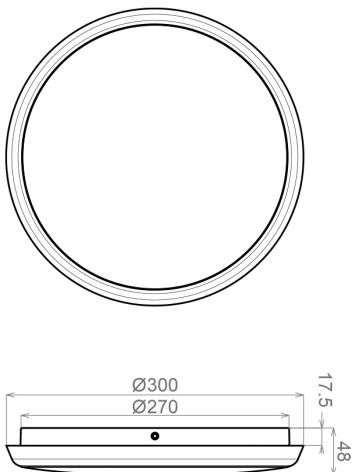


Slim IP54 Circular surface mounted LED luminaire. White polycarbonate body with complete with 3HR integral emergency. Suitable for a wide range of commercial and residential applications.

TECHNICAL SPECIFICATION

Mains Supply:	230-240V AC 50/60Hz
Light Source:	25W LED 2835 SMD
Colour Rendering:	CRI>80
Ambient Temperature:	-20°C...+50°C
Beam Angle:	120°
Life Time:	40,000 Hours

LINE DRAWING



OPTIONS

Fitting:	Light Source:	Wattage:	Colour:
DISK 300 M3	LED	25W	WH
Options:			
Colour Temp Options:			
3000K 2000 Lumens			
4000K 2250 Lumens			

DISC 350 25W HF

AMENITY

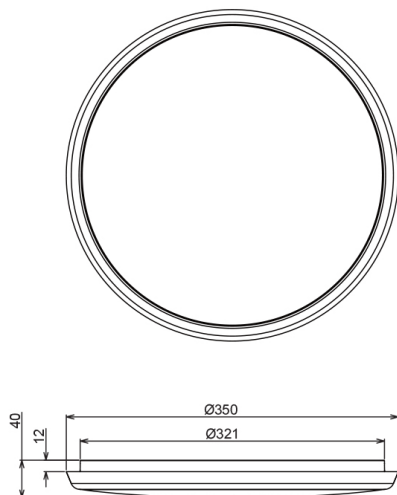


Slim IP54 Circular surface mounted LED luminaire. White polycarbonate body available with mains dimming function. Suitable for a wide range of commercial and residential applications.

TECHNICAL SPECIFICATION

Mains Supply:	230-240V AC 50/60Hz
Light Source:	25W LED 2835 SMD
Colour Rendering:	CRI>80
Ambient Temperature:	-20°C...+50°C
Beam Angle:	120°
Life Time:	40,000 Hours

LINE DRAWING



OPTIONS

Fitting:	Light Source:	Wattage:	Colour:
DISK 350 M3	LED	25W	WH
Options:			
Colour Temp Options:			
3000K 2075 Lumens			
4000K 2200 Lumens			

BORA

AMENITY

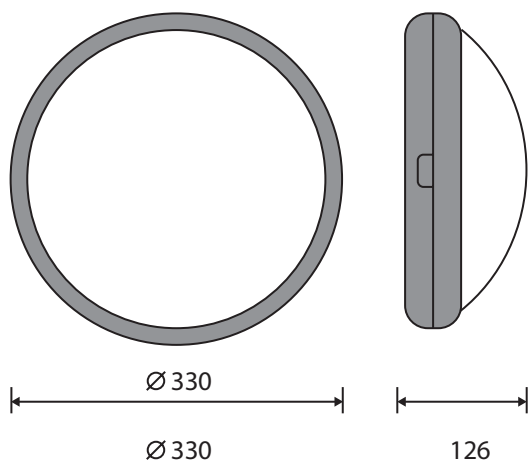


IP65 white polycarbonate base complete with opal polycarbonate diffuser with a unique lever release which provides easy access to the internal gear tray.

TECHNICAL SPECIFICATION

Mains Supply:	Lm/W 230-240V AC 50/60Hz
Light Source:	LED 99 X SAMSUNG OM516B
Colour Rendering:	CRI>80
Colour Temperature:	3000/4000K
Ambient Temperature:	-20°C...+50°C
Life Time:	50,000 Hours
Loads Outputs:	350mA, 8.6W, 1670 Lumens, 194 Lm/W 500mA, 12.5W, 2300 Lumens, 184 Lm/W 700mA, 21.9W, 3192 Lumens, 145 Lm/W

LINE DRAWING



OPTIONS

Fitting:	Light Source:	Wattage:	Colour:
BORA	LED	8.6/12.5/21.9W	WH
Options:			
Colour Options:			
White (WH)			
Function Options:			
3HR Emergency (M3), Microwave Sensor (MS), PhotoCell (PC) 1-10V Dimming (1-10V) DALI Addressable (DA), Self Test (ST)			

ZEPHYR

AMENITY

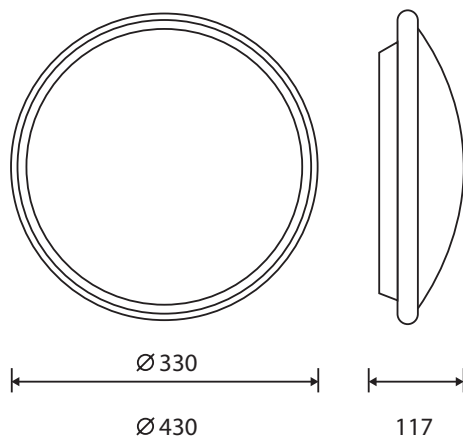


IP20 Surface mounted luminaire available with a semi recessing kit. Base and lumax diffuser are injection moulded polycarbonate. Lumax Opal Diffuser. Available with Halo back light option.

TECHNICAL SPECIFICATION

Mains Supply:	230-240V AC 50/60Hz LED
Light Source:	99 X SAMSUNG OM516B
Colour Rendering:	CRI>80
Colour Temperature:	3000/4000K
Ambient Temperature:	-20°C...+50°C
Life Time:	50,000 Hours
Loads Outputs:	350mA, 8.6W, 1670 Lumens, 194 Lm/W 500mA, 12.5W, 2300 Lumens, 184 Lm/W 700mA, 21.9W, 3192 Lumens, 145 Lm/W

LINE DRAWING



OPTIONS

Fitting:	Light Source:	Wattage:	Colour:
ZEPHYR	LED	8.6/12.5/21.9W	WH
Options:			
Colour Options:			
Solid Body - White Chrome Brass			
Trim - White, Chrome, Brass			
Halo Body - White, Clear, Blue, Green, Red			
Function Options:			
3HR Emergency (M3), Microwave Sensor (MS), PhotoCell (PC) 1-10V Dimming (1-10V) DALI Addressable (DA), Self Test (ST)			

SPRUCE

AMENITY

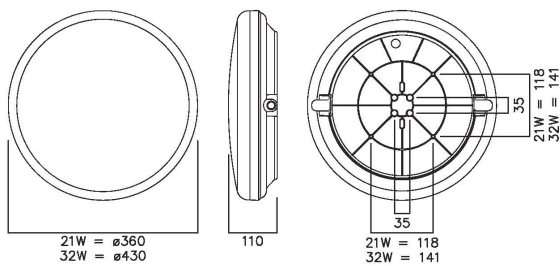


IP54 Surface mounted circular LED luminaire. White Polycarbonate base. Polycarbonate opal diffuser complete with steel gear tray. Suitable for corridors, Stairwells, foyers and a range of commercial applications.

TECHNICAL SPECIFICATION

Load Options:	21W LED, 1760lm, 83.8 Lm/W 32W LED, 2700lm, 84.3 Lm/W
Colour Temperature:	5000K
Mains Input:	230-240V AC 50/60Hz

LINE DRAWING



OPTIONS

Fitting:	Light Source:	Wattage:	Colour:
SPRUCE	LED	21/32W	WH/CH
Options:			
Function Options:			
3HR Emergency, Microwave sensor, Corridor function.			
Bezel Colour Options:			
White (WH), Chrome (CH)			

SHAMAL

AMENITY

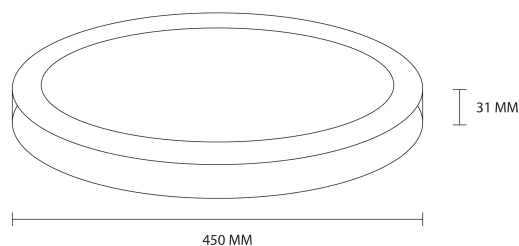
IP20 Surface mounted Luminaire with a steel decorative angled trim with a backlight option. Injection moulded polycarbonate base and opal lumax diffuser.



TECHNICAL SPECIFICATION

Mains Supply:	230-240V AC 50/60Hz
Light Source:	LED 99 x Samsung OM561B
Colour Rendering:	CRI>80
Colour Temperature:	3000/4000K
Ambient Temperature:	-20°C...+50°C
Life Time:	50,000 Hours
Loads Outputs:	350mA, 8.6W, 1670 Lumens, 194 Lm/W 500mA, 12.5W, 2300 Lumens, 184 Lm/W 700mA, 21.9W, 3192 Lumens, 145 Lm/W

LINE DRAWING



OPTIONS

Fitting:	Light Source:	Wattage:	Colour:
SHAMAL	LED	8.6/12.5/21.9W	WH/SS/CH
Options:			
Colour Options:			
White (WH), Satin Silver (SS), Chrome (CH)			
Function Options:			
3HR Emergency (M3), Microwave Sensor (MS), PhotoCell (PC) 1-10V Dimming (1-10V) DALI Addressable (DA), Self Test (ST)			

NEPTUNE

AMENITY

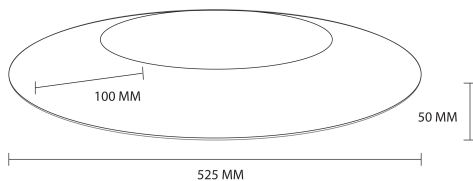


IP20 Surface mounted luminaire with a large steel decorative trim that allows for back light if required. Base and diffuser are injection moulded polycarbonate complete with opal lumax diffuser.

TECHNICAL SPECIFICATION

Mains Supply:	230-240V AC 50/60Hz
Light Source:	LED 99 x Samsung OM561B
Colour Temperature:	3000/4000K
Colour Rendering:	CRI>80
Ambient Temperature:	-20°C...+50°C
Life Time:	50,000 Hours
Loads Outputs:	350mA, 8.6W, 1670 Lumens, 194 Lm/W 500mA, 12.5W, 2300 Lumens, 184 Lm/W 700mA, 21.9W, 3192 Lumens, 145 Lm/W

LINE DRAWING



OPTIONS

Fitting:	Light Source:	Wattage:	Colour:
NEPTUNE	LED	8.6/12.5/21.9W	WH
Options:			
Colour Options:			
Body - White (WH)			
Trim - White, Polished Chrome, Satin Silver, Polished Antique Brass			
Function Options:			
3HR Emergency (M3), Microwave Sensor (MS), PhotoCell (PC) 1-10V Dimming (1-10V) DALI Addressable (DA), Self Test (ST)			

MATO

AMENITY

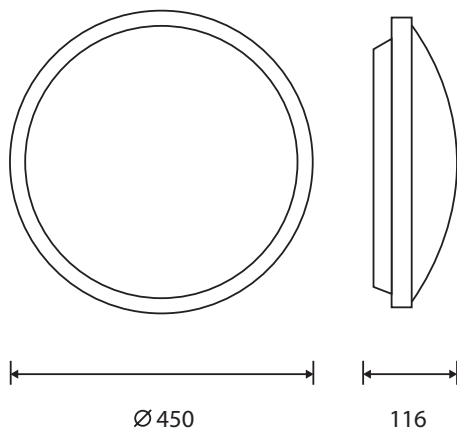


IP20 Surface mounted luminaire. Base is spun aluminium. Injection moulded Opal Polycarbonate lumax diffuser. Back light option available. two body size options 450mm and 350mm.

TECHNICAL SPECIFICATION

Mains Supply:	230-240V AC 50/60Hz
Light Source:	LED 99 x Samsung OM561B
Colour Temperature:	3000/4000K
Colour Rendering:	CRI>80
Ambient Temperature:	-20°C...+50°C
Life Time:	50,000 Hours
Loads Outputs:	350mA, 8.6W, 1670 Lumens, 194 Lm/W 500mA, 12.5W, 2300 Lumens, 184 Lm/W 700mA, 21.9W, 3192 Lumens, 145 Lm/W

LINE DRAWING



OPTIONS

Fitting:	Light Source:	Wattage:	Colour:
MATO	LED	8.6/12.5/21.9W	WH/CH/SS
Options:			
Colour Options:			
White (WH), Chrome (CH), Satin Silver (SS)			
Function Options:			
3HR Emergency (M3), Microwave Sensor (MS), PhotoCell (PC) 1-10V Dimming (1-10V) DALI Addressable (DA), Self Test (ST)			

GALAXY

AMENITY

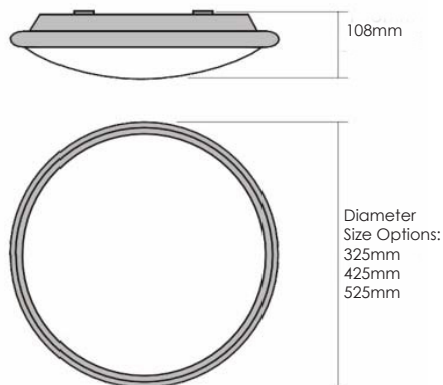


IP20 Surface mounted luminaire available in three sizes. Base is spun aluminium. Injection moulded polycarbonate lumax diffuser. Available in 3 size options.

TECHNICAL SPECIFICATION

Mains Supply:	230-240V AC 50/60Hz LED
Light Source:	LED 99 x Samsung OM561B
Colour Temperature:	3000/4000K
Colour Rendering:	CRI>80
Ambient Temperature:	-20°C...+50°C
Life Time:	50,000 Hours
Loads Outputs:	350mA, 8.6W, 1670 Lumens, 194 Lm/W 500mA, 12.5W, 2300 Lumens, 184 Lm/W 700mA, 21.9W, 3192 Lumens, 145 Lm/W

LINE DRAWING



OPTIONS

Fitting:	Light Source:	Wattage:	Colour:
GALAXY	LED	8.6/12.5/21.9W	WH/AC/AB/SC/SB
Options:			
Trim Colour Options:			
White (WH), Anodised Chrome (AC), Anodised Brass (AB), Steel plated Chrome (SC), Steel plated Brass (SB)			
Function Options:			
3HR Emergency (M3), Microwave Sensor (MS), PhotoCell (PC) 1-10V Dimming (1-10V) DALI Addressable (DA), Self Test (ST)			

BRISTOL

AMENITY

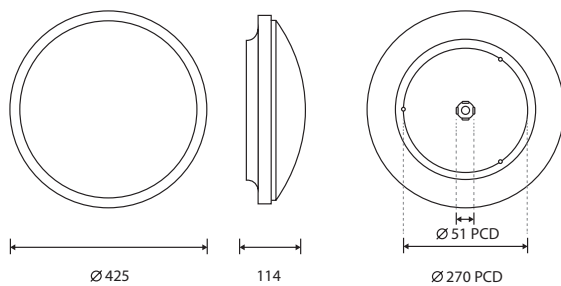
IP40 Surface mounted circular LED luminaire. Metal base in white powder coat or chrome plated finish. Polycarbonate opal diffuser complete with steel gear tray.



TECHNICAL SPECIFICATION

Mains Input:	230-240V AC 50/60Hz
Light Source:	15.5W LED
Colour Temperature:	5000K
Output:	755 Lumens

LINE DRAWING



OPTIONS

Fitting:	Light Source:	Wattage:	Colour:
BRISTOL	LED	15.5W	WH
Options:			
Function Options:			
3HR Emergency, 3500K LED Board, Microwave sensor, Corridor function.			

BURAN

AMENITY

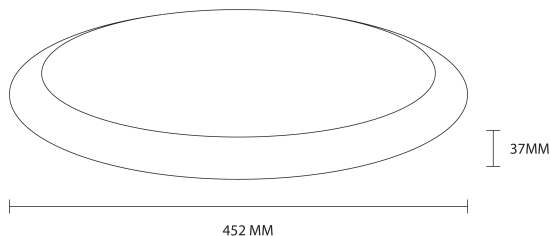


IP20 Surface mounted luminaire with a steel decorative trim that allows for back light if required. Base and diffuser are injection moulded polycarbonate complete with opal lumax diffuser.

TECHNICAL SPECIFICATION

Mains Supply:	230-240V AC 50/60Hz
Light Source:	LED 99 x Samsung OM561B
Colour Temperature:	3000/4000K
Colour Rendering:	CRI>80
Ambient Temperature:	-20°C...+50°C
Life Time:	50,000 Hours
Loads Outputs:	350mA, 8.6W, 1670 Lumens, 194 Lm/W 500mA, 12.5W, 2300 Lumens, 184 Lm/W 700mA, 21.9W, 3192 Lumens, 145 Lm/W

LINE DRAWING



OPTIONS

Fitting:	Light Source:	Wattage:	Colour:
BURAN	LED	8.6/12.5/21.9W	WH
Options:			
Colour Options:			
Body - White (WH)			
Trim - White, Polished Chrome, Satin Silver			
Function Options:			
3HR Emergency (M3), Microwave Sensor (MS), PhotoCell (PC) 1-10V Dimming (1-10V) DALI Addressable (DA), Self Test (ST)			

BOX

AMENITY

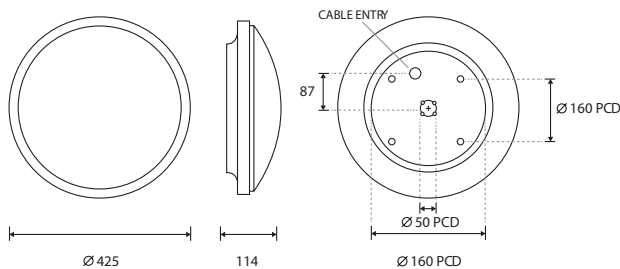


IP54 Surface mounted circular LED luminaire. Polycarbonate base complete with opal polycarbonate diffuser. Steel internal geartray.

TECHNICAL SPECIFICATION

Mains Input:	230-240V AC 50/60Hz
Light Source:	15.5W LED
Colour Temperature:	5000K
Output:	1030 Lumens

LINE DRAWING



OPTIONS

Fitting:	Light Source:	Wattage:	Colour:
BOX	LED	15.5W	WH
Options:			
Function Options:			
3HR Emergency, 3500k LED Board, Microwave sensor, Corridor function.			
White or Chrome bezel, Opal or Prismatic diffuser.			