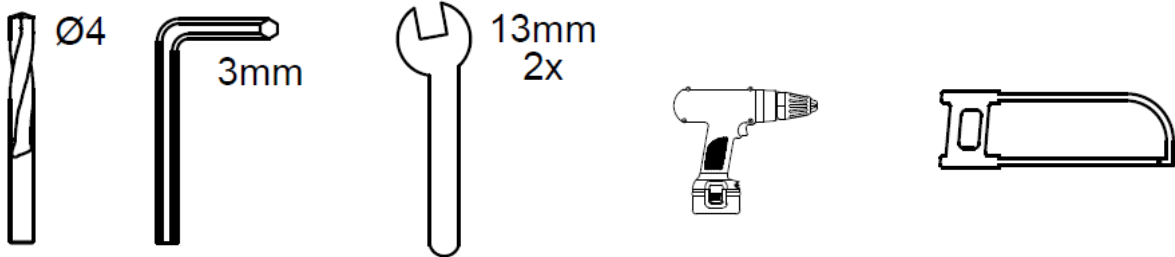


## How to install Summerhouse24 log cabin's sliding doors

It is important to install the sliding doors before laying down floor boards and also before terrace boards.

Sort out all components by using the installation manual and make sure you have all necessary tools.



No.4 Drill Bit

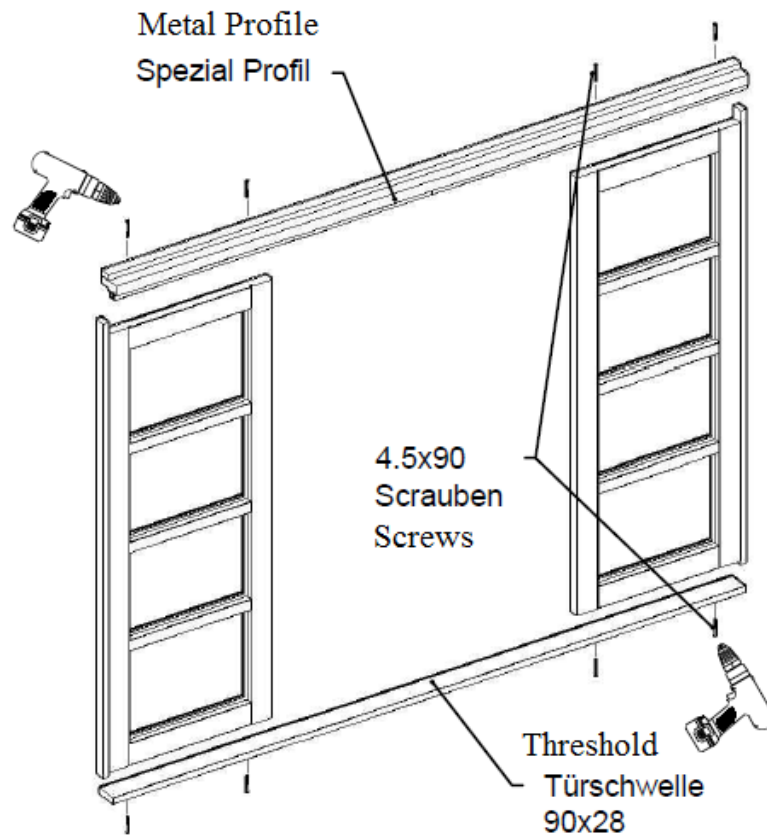
Alan Key

Spanner

Cordless Drill

Hand Saw

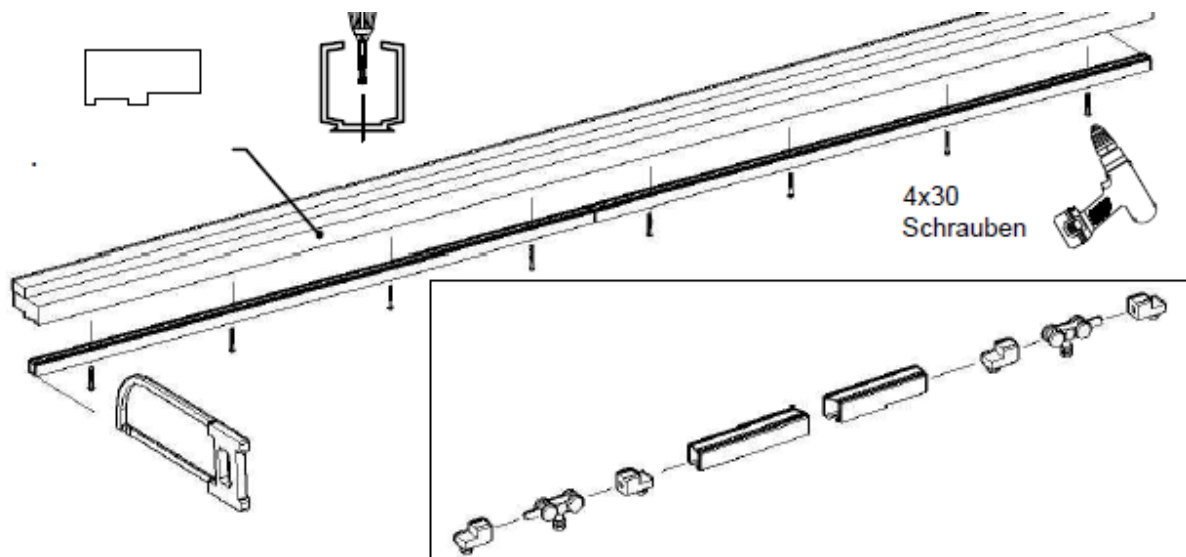
Start installation by screwing together two outer window elements, upper frame and lower frame.





Two metal profiles for hanging up the doors in the later stage must be inserted into the base of the upper frame and fixed with screws, four screws per profile. Cut both profiles into length.

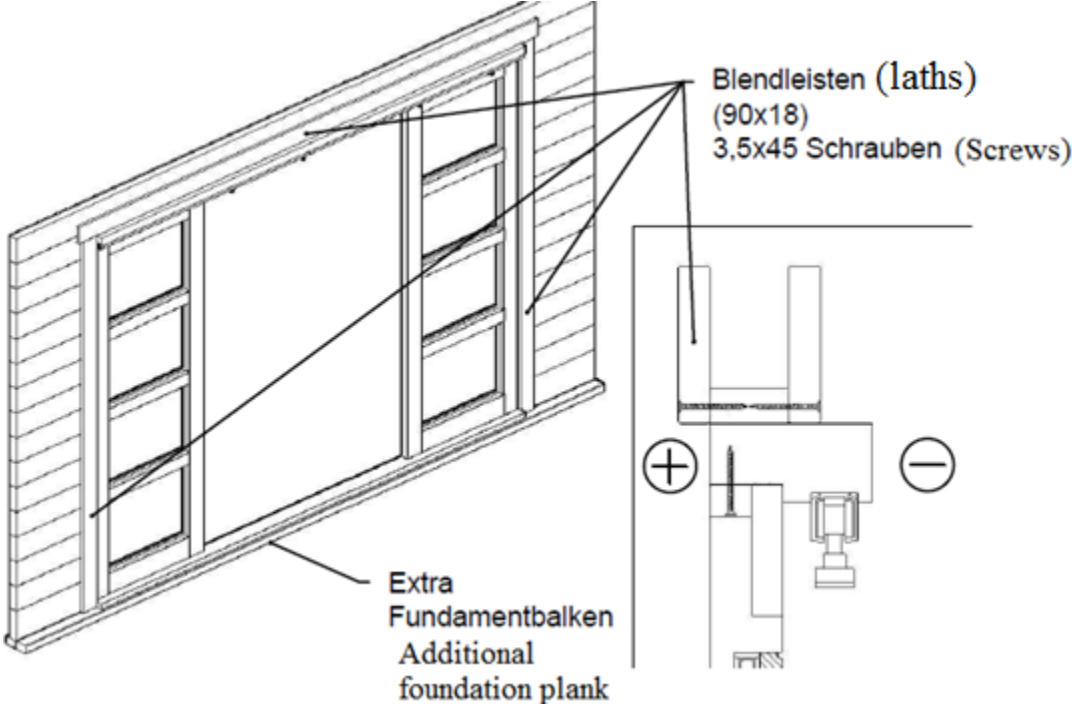
**Before fixing profiles into the base insert rolling elements on the wheels and other components into the profiles according to the manual.**



Predrill the pilot holes in to both metal profiles and drill the upper part of the hole wider to countersink the screws so that you can insert screws entirely without leaving the head of the screw overhanging. Otherwise overhanging screws will not let the doors roll freely.

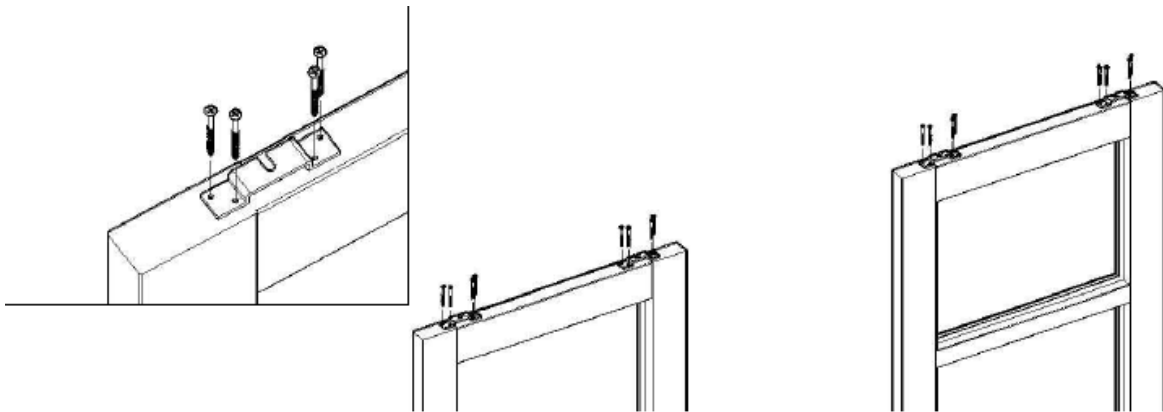
Before inserting two fixed window panels and frames into the doorway you have to decide whether you would like the sliding doors to be outside or inside of the cabin. It works both ways.

Screw one upper lath and insert the door element into the doorway and fix it with another upper lath from the other side. Then fix the door with remaining right and left laths from the inside and outside. Laths may have to be cut into length. Then install metal cover to door sill.



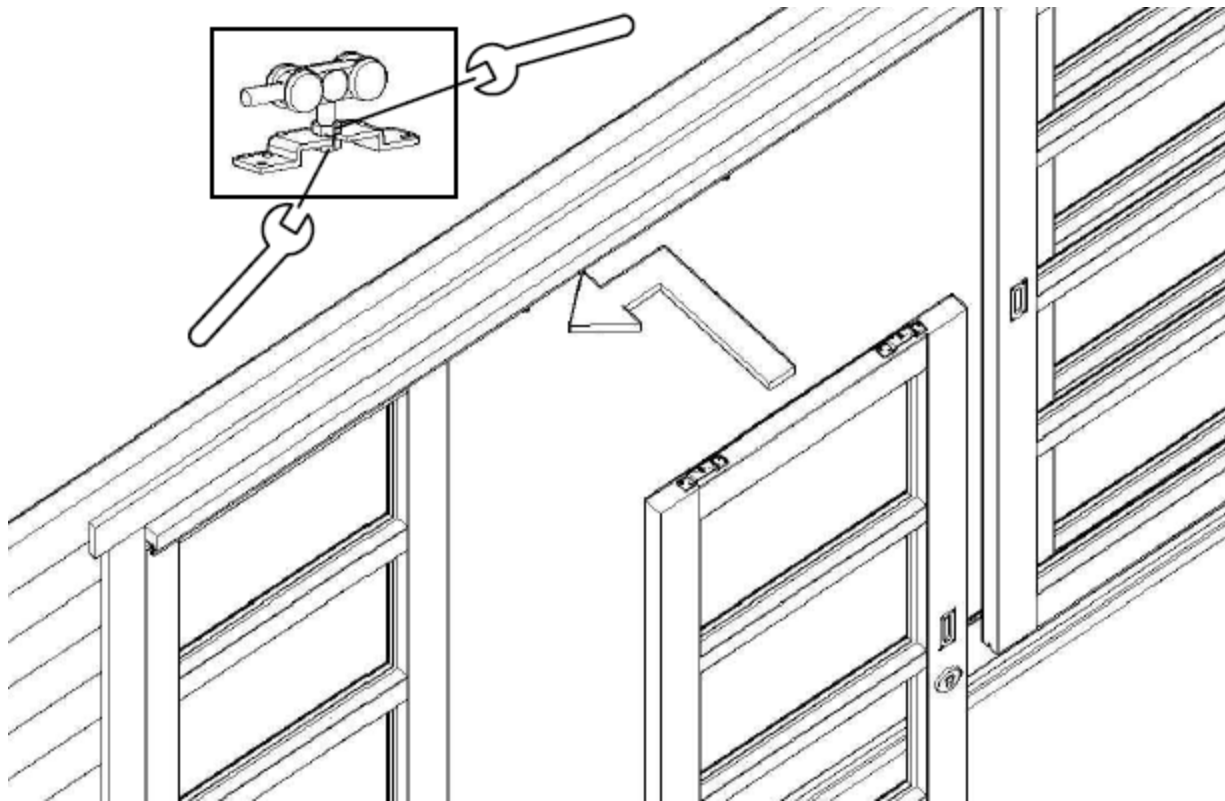


Attach two metal components for hanging up the doors per door to the upper end of doors.

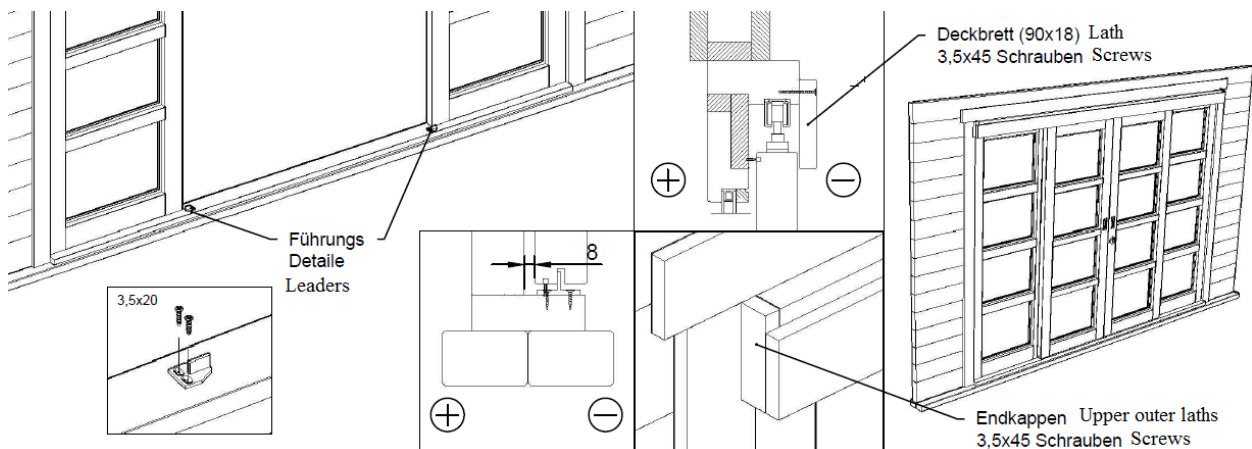


Now hang up the doors and fix them with nuts. They must roll easily, without using any extra strength. If they don't roll easily, you need to adjust doors. These nuts and bolts allow you to adjust the height of doors.





After doors have been adjusted and they roll smoothly inserts leaders on the door sill.



Finally attach extra laths to cover metal profiles and rolling system and make the upper part of doors wind proof.



Finally attach lock cover and door handles.