

# Frameless Fixing Kit Installation Guide

## Safety

AQUAVISION recommends installation to be carried out by a qualified installer. Please ensure that the latest wiring and safety regulations are adhered. If your AQUAVISION® is powered by a low voltage power supply unit, this should be positioned away from any water source. Please observe the safety zones in bathrooms and other wet areas.

**IF IN DOUBT REFER TO A QUALIFIED PERSON. THE FRONT AND BACK PARTS OF THIS APPLIANCE MUST BE EARTHED**

## Installation

1. When the position has been defined, cut a hole in the wall to the cut-out dimensions specified below.
2. Sink the back box into this hole to ensure that it fits. Remove the box until the finish has been applied to the walls. This could be tiles, plaster, paint, paper etc.
3. Run the cables to their positions as shown in Fig. 1, ensuring that there is enough cable slack for connection at the rear of the AQUAVISION. Ensure that the cables are easily available and cannot fall back into the cavity, etc.
4. Once the wall is finished, apply a bead of silicone all around the back of the flanges on the back box.
5. Carefully sink this back box into the hole that you checked earlier ensuring that the silicone gives a good waterproof seal against the wall and fasten securely, being careful not to distort the box when tightening the fixings. You must take care not to bend or damage the sides or outer flanges of the box as this could potentially hinder any water-proofing qualities and thus void any warranty. Note it is not advisable to use raised border tiles under the edge of the bezel frame (See Fig. 2).
6. The back box is now in position to accommodate the LCD unit and finally the glass. Instructions on fitting these components are supplied with each item respectively.

Model	Overall Height	Overall Width	Cut-out Height	Cut-out Width	Cut-Out Depth
16"	350mm 13 3/4"	495mm 19 1/2"	322mm 12 3/4"	448mm 17 5/8"	50mm 2"
22"	391mm 15 3/8"	554mm 21 3/4"	352mm 13 3/4"	520mm 20 1/2"	50mm 2"
27"	472mm 18 5/8"	702mm 27 5/8"	437mm 17 1/4"	656mm 25 3/4"	50mm 2"
32"	549mm 21 5/8"	832mm 32 3/4"	515mm 20 3/8"	790mm 31 1/4"	60mm 2 3/8"
42"	670mm 26 3/8"	1028mm 40 1/2"	635mm 24 5/8"	985mm 38 7/8"	60mm 2 3/8"
55"	815mm 32 1/8"	1300mm 51 1/4"	760mm 30"	1250mm 49 1/4"	60mm 2 3/8"
65"	970mm 38 1/4"	1590mm 62 5/8"	935mm 36 3/4"	1540mm 60 5/8"	60mm 2 1/2"
85"	1225mm 48 1/4"	2500mm 98 1/2"	1160mm 45 3/4"	1940mm 76 3/8"	100mm 4"

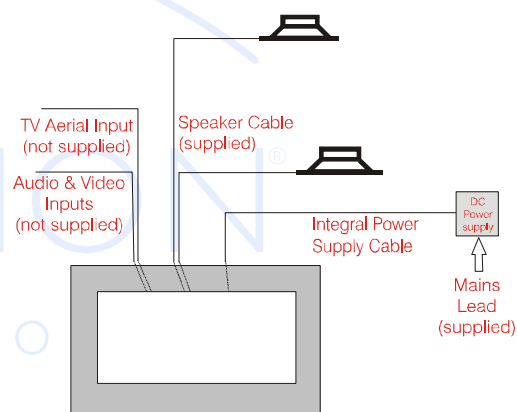


Fig 1. Cabling Schematic:

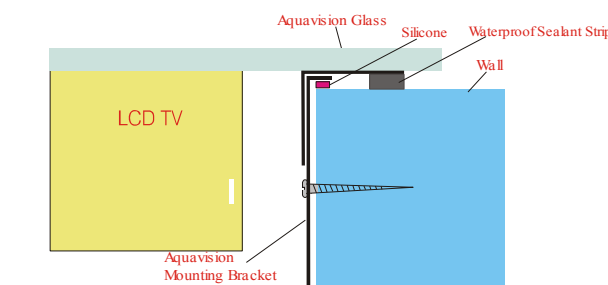


Fig 2. Installation Schematic::



### HEAD OFFICE AND FACTORY

Aquavision  
Unit 7 Riverpark, Billet Lane  
Berkhamsted, Hertfordshire  
HP4 1HL  
United Kingdom  
+44 [0]1442 872665

### AMERICAN OFFICE

Aquavision, Inc.  
#197  
5 Southside Drive, Suite 11  
Clifton Park, NY 12065  
America  
+1 800 524 1804



sales@aquavision.tv  
sales@aquavision.us

www.aquavision.tv  
www.aquavision.us