

INSTALLATION AND SERVICING INSTRUCTIONS FOR:**Straxgas Theme 22 With Turboflue
Straxgas Theme Inglenook With Turboflue**

(These instructions to be left with the appliance)

Appliance data:

Model	Theme 22		Theme Inglenook	
Country of destination	: United Kingdom & Republic of Ireland		: United Kingdom & Republic of Ireland	
Type of gas	: Natural gas (G20) Cat. I _{2H}	: Propane gas (G31) Cat. I _{3P}	: Natural gas (G20) Cat. I _{2H}	: Propane gas (G31) Cat. I _{3P}
Injector size	: 7 x 0.80 multihole (2 off)	: 7 x 0.62 multihole	: 7 x 0.80 multihole (2 off)	: 7 x 0.62 multihole
Injector marking	: 80	: 62	: 80	: 62
Gross heat input (high setting)	: 10.2kW (34,800Btu/h)	: 10.2kW (34,800Btu/h)	: 10.2kW (34,800Btu/h)	: 10.2kW (34,800Btu/h)
Gross heat input (low setting)	: 4.4kW (15,000Btu/h)	: 3.5kW (12,000Btu/h)	: 4.4kW (15,000Btu/h)	: 3.5kW (12,000Btu/h)
Supply pressure	: 20mbar (8in.w.g.)	: 37mbar (14in.w.g.)	: 20mbar (8in.w.g.)	: 37mbar (14in.w.g.)
Appliance test point press (cold)	: 19.0mbar (± 1.0mbar)	: 36.5mbar	: 19.0mbar (± 1.0mbar)	: 36.5mbar
Minimum wall thickness	: 100mm (4in.)		: 100mm (4in.)	
Maximum wall thickness	: 500mm (20in.)		: 500mm (20in.)	
Maximum duct length *	: 4.0metres with 2x90° bends		: 4.0metres with 2x90° bends	
Ignition	: Electronic		: Electronic	
Spark gap	: 3.0mm min., 4.5mm max.		: 3.0mm min., 4.5mm max.	
Electrical supply	: 230V~ 50Hz 70W		: 230V~ 50Hz 70W	
Dimensions:				
Width over frame excluding trim	: 624mm		: See page 20	
Height over frame excluding trim	: 585mm			
Depth	: 223mm			
Shipping weight	: 51kg		: 74kg	

* For this installation an optional kit is available. See supplementary instructions for ducted installations.

NOTE: The Natural Gas and Propane Gas versions of this appliance are different models and cannot be converted from one gas to another.

This appliance has been assessed by a Government appointed Notified Body and shown to meet the 'Essential Requirements' of the European Gas Appliance Directive. The Directive lays down requirements for the safety of the appliance, together with its design, construction, and use of materials. It also requires the production process to be covered by an approved and monitored system of quality assurance.

Mandatory requirements

The appliance must be installed with due regard to the following mandatory regulations:

The relevant British Standard installation specifications and codes of practice, and Building Regulations issued by the Department of the Environment, and Building Standards (Scotland) Consolidated Regulations issued by the Scottish Development Board.

The electrical equipment (safety regulations)

Current IEE Wiring Regulations

Gas Safety (Installation and Use) Regulations 1996.

Failure to install this appliance correctly could lead to prosecution and render the guarantee invalid.

Attention is drawn to the following standards:

BS3456, Part 101, 1987

BS5440, Part 1, 1990 Specification for installation of flues.

BS5440, Part 2, 1990 Specification for installation of ventilation for gas appliances.

BS5871, part 2, 1991 Installation of decorative fuel effect gas appliances.

BS6891, 1988 Specification of low pressure gas pipework

BS8303, 1986 Replacing CP403.

British Gas guide for installation into timber framed houses DM2 2nd edition.

This Straxgas appliance is an inset live fuel effect gas fire and must only be installed by a competent person (e.g. a C.O.R.G.I. member) in accordance with these installation instructions.

This appliance must be installed in accordance with the rules in force, and used only in a sufficiently ventilated space. Consult these instructions before installation and use of this appliance.

An airbrick or similar fresh air inlet must be fitted in the room in which the fire is installed, and must have an area not less than 18 sq.cm (2.8 sq.in). This fresh air inlet must not be blocked or restricted in any way and MUST BE POSITIONED SO THAT IT WILL NOT ALLOW EXHAUST FUMES TO RE-ENTER THE ROOM.

Description

The Theme fire with Turboflue is a live fuel effect gas fire incorporating an integral fan assisted flue system designed for use in locations which do not have a conventional chimney or flue.

Products of combustion are extracted from the fire via a duct passing through the wall to the fan unit. A pressure switch detects the flue flow and will only allow the gas to be supplied to the fire when the flue flow is correct.

The Theme fire and Turboflue are controlled by a unique low voltage electron switch plate designed to be sited adjacent to the fire at a convenient level to avoid any stooping or bending.

THEME 22: In most types of installation a false chimney breast will need to be constructed after installation of the appliance. A fire surround can then be fitted if required, and must be a minimum of Class O (100°C temperature rating). Refer to manufacturer's instructions for rebate to determine the depth of the false chimney breast.

THEME INGLENOOK: A freestanding fire which may be installed into a recess with minimum dimensions as shown in Fig. 3. If the recess is 1220mm wide x 1000mm high the back and sides may be constructed in combustible material.

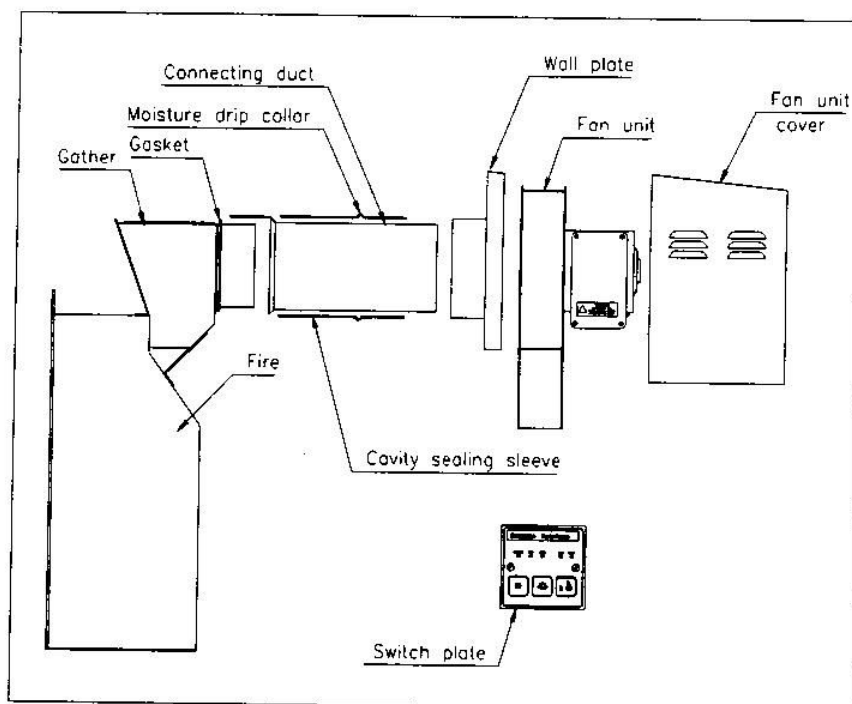


Fig.1 The Components Of the System

Preparation

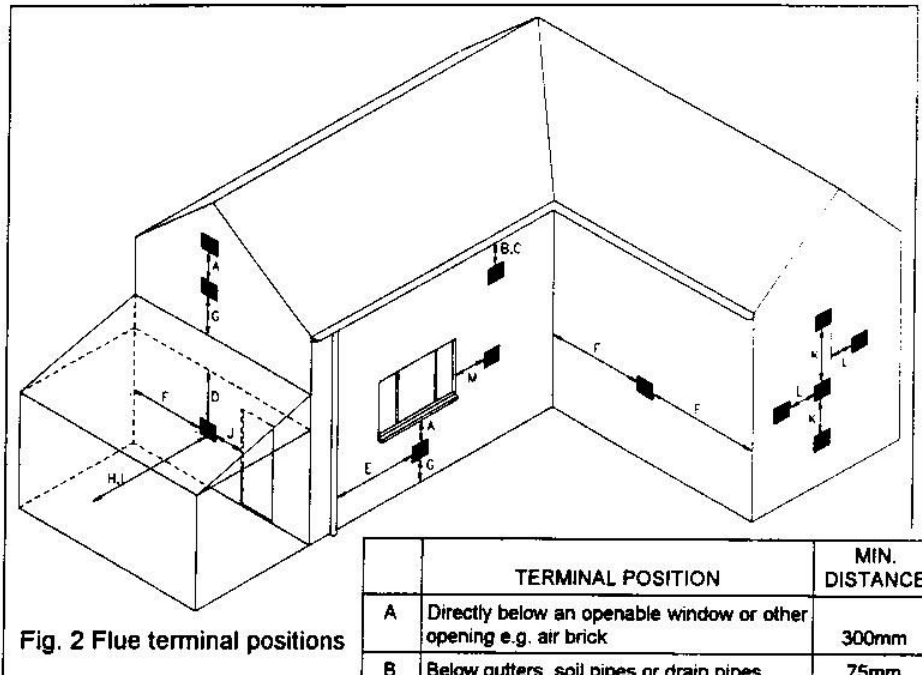


Fig. 2 Flue terminal positions

	TERMINAL POSITION	MIN. DISTANCE
A	Directly below an openable window or other opening e.g. air brick	300mm
B	Below gutters, soil pipes or drain pipes	75mm
C	Below eaves	200mm
D	Below balconies or car port roof	200mm
E	From vertical drain pipes and soil pipes	75mm
F	From internal or external corners	300mm
G	Above ground, roof or balcony level	300mm
H	From a surface facing a terminal	600mm
I	From a terminal facing a terminal	1200mm
J	From an opening in the car port (e.g. door, window) into dwelling	1200mm
K	Vertically from a terminal on the same wall	1500mm
L	Horizontally from a terminal on the same wall	300mm
M	Horizontally from a window or door	300mm

Before installation

1. Ensure that the local distribution conditions (identification of the type of gas and pressure, and electrical supply) and the adjustment of the appliance are compatible. Refer to burner data badge plate.
2. The fan unit outlet must be positioned such that the combustion products can disperse freely at all times. (See Fig. 2)
3. Due consideration must be given to environmental conditions and sound assessment of the location of the fan unit outlet is essential to prevent nuisance shutdown due to adverse weather or site conditions.
4. If the fan unit outlet is less than 2 metres above the ground and accessible to people, a terminal guard must be fitted. (Quote part no. T143)
5. Do not fit a Turboflue where there is a fan driven warm air central heating system without consulting our technical department.
6. The fan unit must be located on an external wall not above ground floor level.
7. This appliance is not suitable for installation in a room containing a bath or shower.

Additional notes for car ports and other single storey 'add-on' extensions

1. Any car port or other add-on extension should consist of a roof, or a roof and one other wall. If it consists of a roof and two other walls, the installation shall be treated as suspect and further advice sought.
2. If there is any opening in the car port into the dwelling, e.g. door, window, etc., then the terminal must be at least 1200mm away from that opening. If it is less then the installation must be treated as suspect and further advice

sought. If it is more than 1200mm then D, F, H and I shall also apply where D is the vertical distance between the lowest point of the roof and the top of the terminal.

3. If the roof is plastic then the installation should be treated with great care as there is no simple way of protecting the roof.

Clearances

Soft furnishings, decorations and some wall coverings may discolour or scorch if positioned too close to the fire

THEME 22: If a shelf is to be fitted above the fire, perhaps as part of a surround, it must be positioned a minimum of 1m (39in.) above the top of the hearth, and project no more than 200mm (8in.) from the front plane of the opening. Combustible material such as wood may be fitted to within 100mm (4in.) of either side of the opening so long as it projects no more than 100mm (4in.) from the front plane of the opening.

THEME INGLENOOK: If a shelf is to be fitted to the front of the recess, it must be positioned no lower than the top of the recess and project no more than 200mm (8in.) from the front plane of the recess (see Fig. 3). Combustible material such as wood should not project into the recess or project more than 100mm (4in.) from the front plane of the recess.

Items supplied

The following items will be found within the fire carton:

1. Convection box.
2. Separate flat trim, optional canopy trim, or spacer frame with box trim depending on options ordered.
3. Optional fret with brass finials and hinged dummy ashpan cover complete with brass ring.
4. 6 shaped ceramic fibre blocks.
5. 19 large and 2 small coals
6. 1m x 8mm copper pipe
7. Screws and wall plugs to complete the installation.
8. These installation instructions, guarantee card and end user operating instructions.

Note: The canopy for a Theme Inglenook is packed separately.

The following items will be found within the Turboflue carton:

1. Fan unit with wall plate, pre-wired with connecting cables.
2. Bumer unit.
3. Connecting duct
4. Cavity sealing sleeve.
5. Switch plate and plaster depth box.
6. Gather
7. Fasteners.
8. Plastic cable conduit.
9. Sealing tape
10. Insulating slab.

Warning: Only Straxgas approved ceramic blocks and coals, designed for this appliance, must be used with this burner. Use of ceramic components from any other supplier will invalidate the guarantee.

When unpacking the appliance, avoid touching the visible, painted parts as the paint requires curing (this will take approximately 2 hours under fire. In some cases there may be a slight odour given off for a short period).

Fret options

The following Straxgas frets are suitable for use with this appliance:

1. Black Broughton Classic
2. Black finger
3. Brass finger

NO OTHER FRONTS SHOULD BE USED WITH THIS APPLIANCE

Installing the fire

Site preparation

THEME 22: The appliance must be installed on a level, non-combustible base of dimensions 225mm deep x 550mm wide x 50mm high.

THEME INGLENOOK: The appliance must be installed on a level, non-combustible base of dimensions 420mm deep x 860mm wide x 50mm high.

THEME 22 & THEME INGLENOOK: The base must be the same height as the hearth. A separate non-combustible hearth in accordance with BS5871, Part 2, 1991 must be provided with minimum dimensions as shown in Figs.3 and 4. See also approved document J 1/2/3 "Heat Producing Appliances" issued by the Department of the Environment, 1985.

If a suspended timber floor is being used, check that the joists are capable of supporting any structure that may be used.

If a combustible skirting board is fitted, cut away to give a 75mm minimum clearance either side of the convector box or minimum width of hearth where applicable.

The distance from the surface of any part of the appliance to any combustible material must be a minimum of 75mm with an air gap, or 25mm with insulation.

Clear the working area of all debris before removing the Straxgas appliance from the packaging.

Note: During building work the cavity in any wall must not be bridged other than by the ducts provided. Ensure that there is no structural damage or damage to the damp course.

Gas connection

Note: This appliance is only suitable for natural gas.

Gas connection shall be with rigid or semi-rigid pipe, by concealed connection only. A 15mm gas supply pipe with isolation cock should be brought to within 1M of the fireplace opening. The 8mm pipe supplied should be brought through the pre-punched hole in the rear or left hand side of the convection box to the burner.

When passing the pipe through brickwork or plaster, cap the end to prevent entry of debris.

Electrical connection

A 230V 50Hz supply via a switched fused spur with at least 3mm contact separation between all poles, and fitted with a 3A fuse is required.

Three pre-wired cables pass through the wall from the fan unit to the burner, supply, and switch plate. The switch plate may be placed at any convenient position within 2 metres of the appliance. (This cable may be supplied as an optional extra up to 15 metres long).

Positioning appliance

Determine that the location of the appliance and fan flue outlet position is suitable.

THEME 22: Check that the materials of the surround or structure are suitable.

THEME INGLENOOK: Check that the size of the recess and material used are suitable.

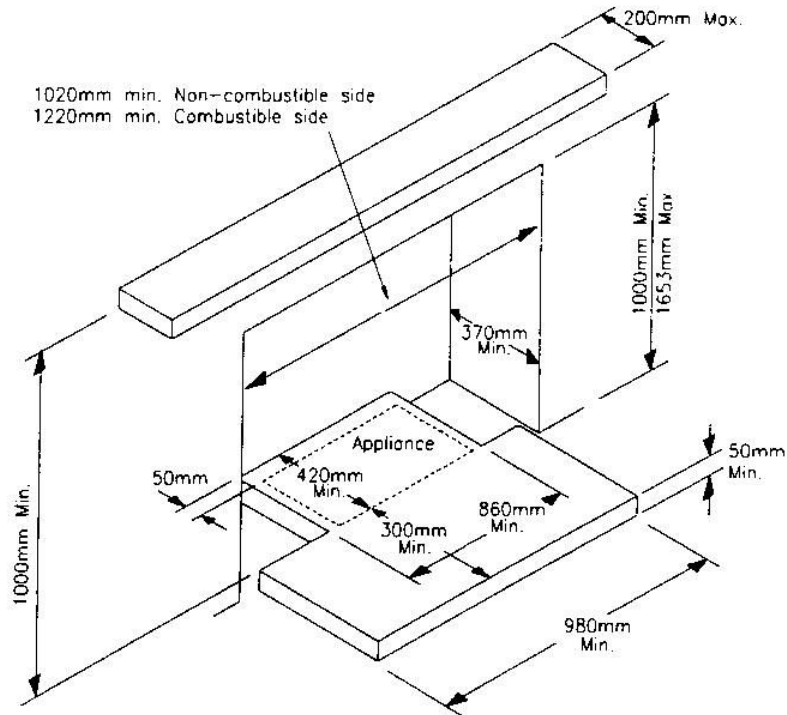
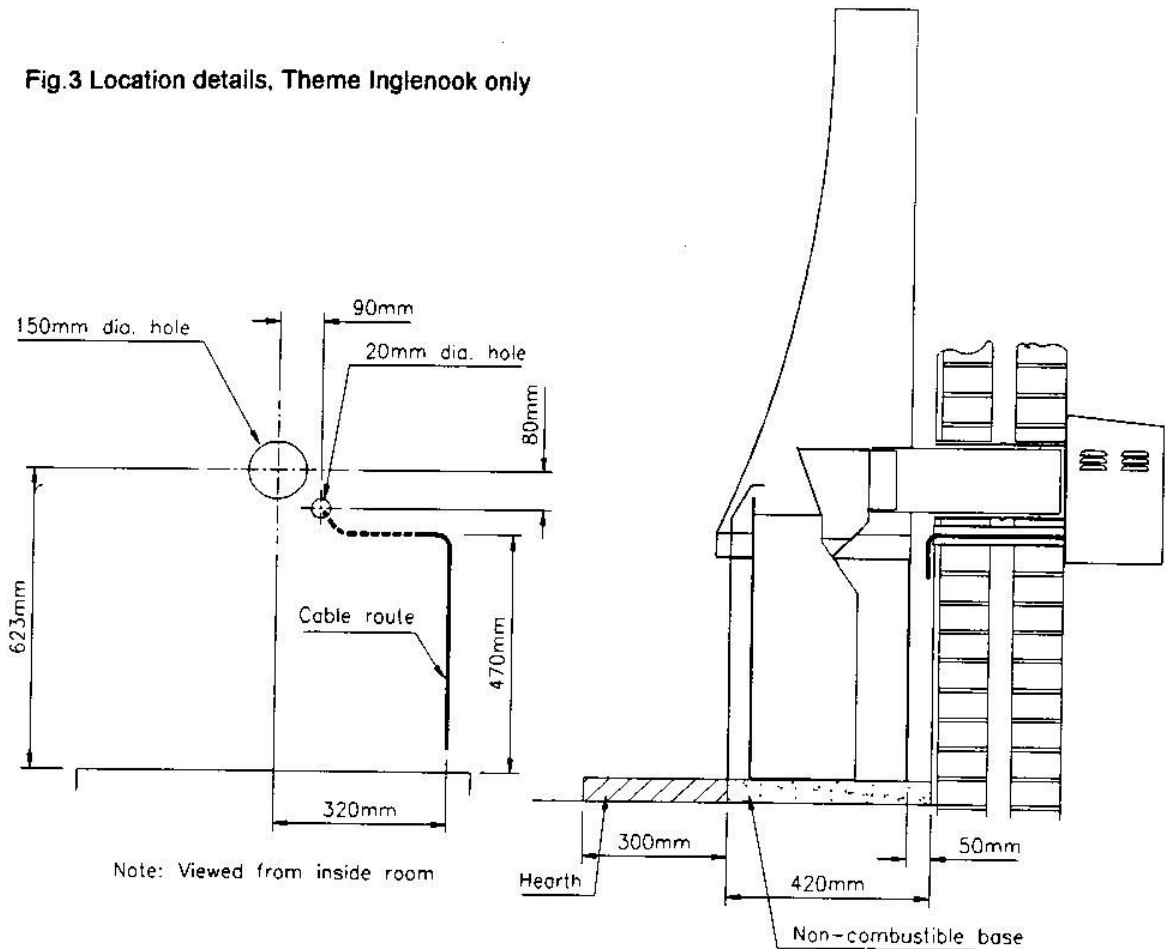
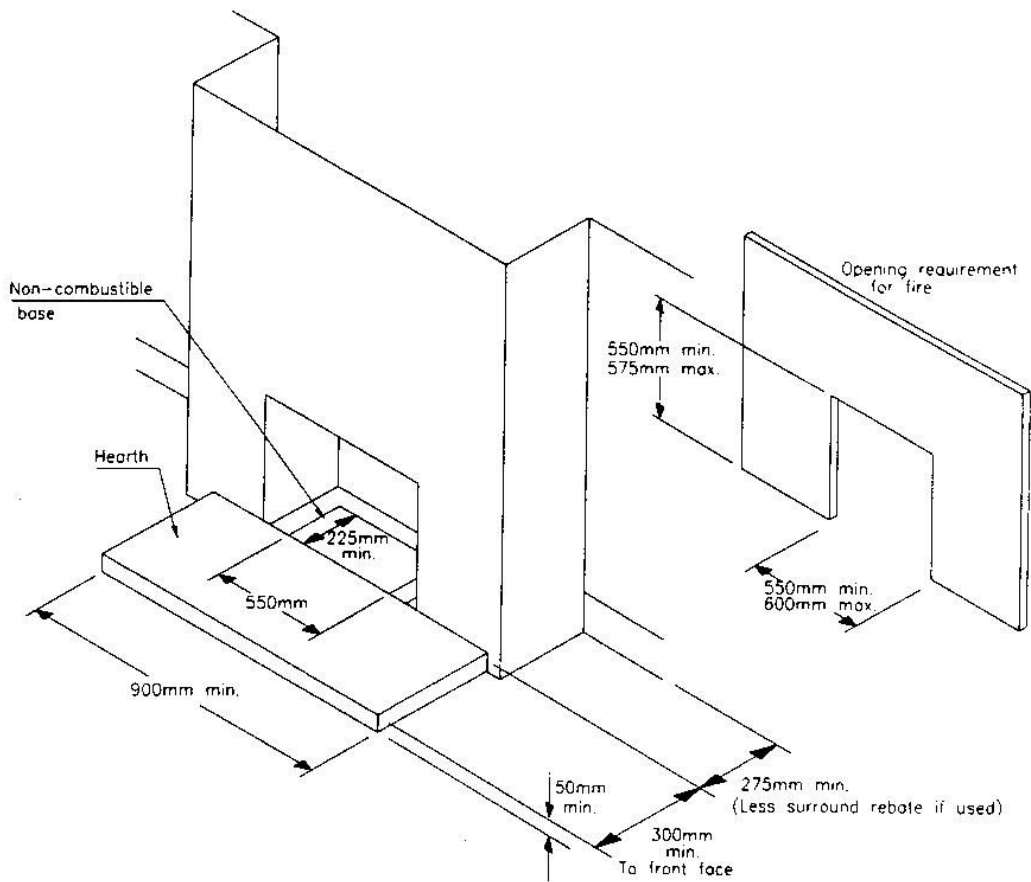
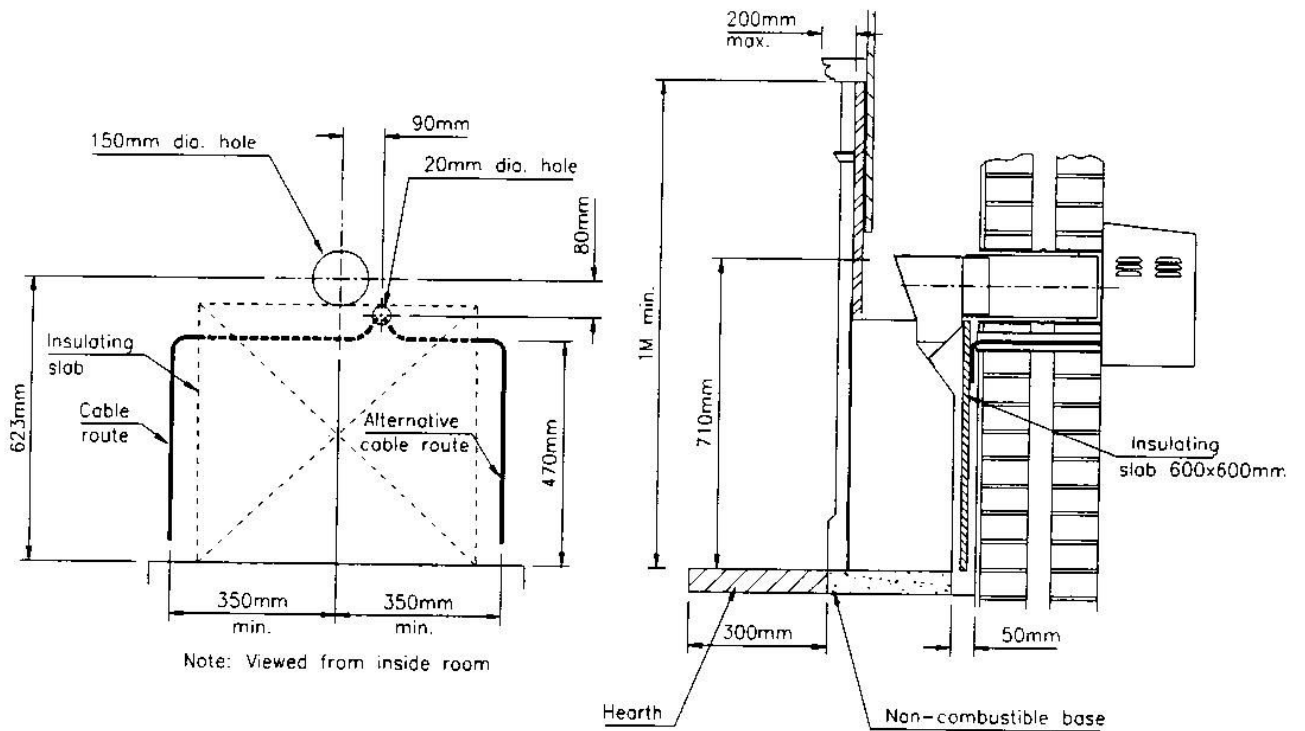


Fig.3 Location details, Theme Inglenook only





**Fig. 4 False chimney breast installation
Theme 22 only**



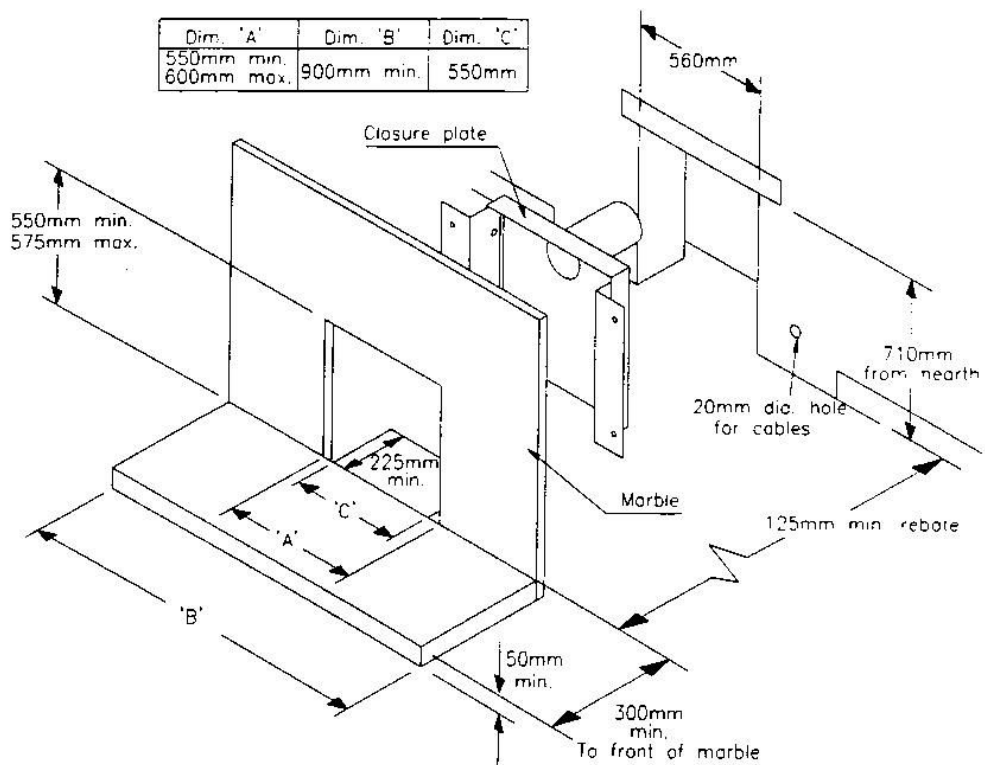
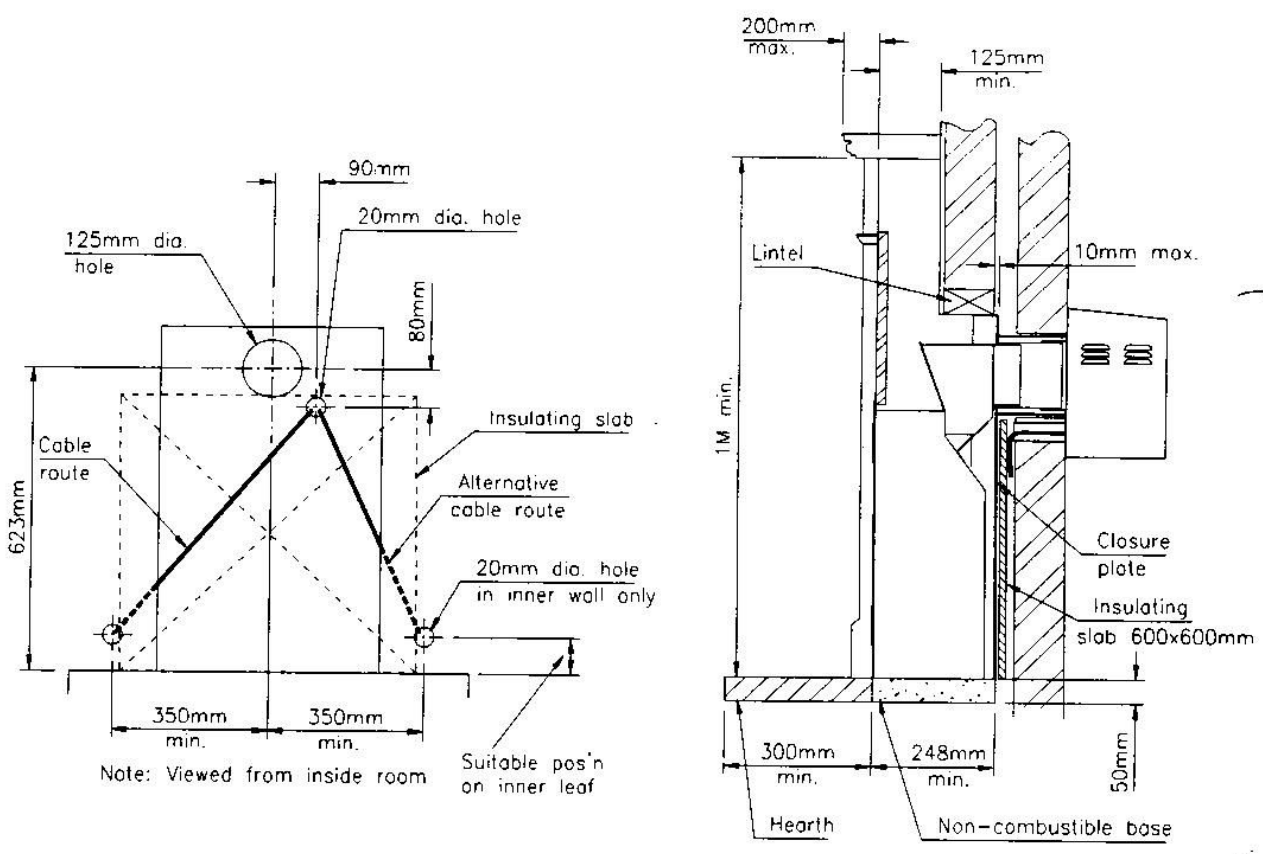


Fig. 5 Slim-profile "cavity" installation (for std. 10" cavity wall) - Theme 22 only
NOT FOR TIMBER FRAMED BUILDINGS



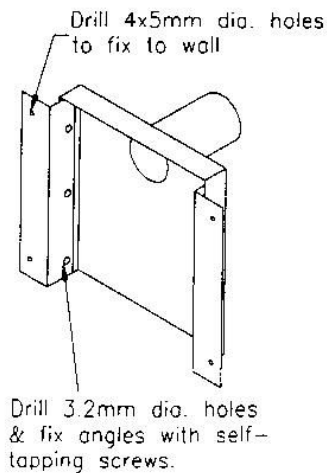
Types of installation & preparations

1 Installation in front of an inner wall (Fig. 4) - Theme 22 & Theme Inglenook

Mark out on the wall the centrelines of the 150mm and 20mm dia. holes and bore out with core drills. The drawing shows the relationship of the two holes when viewed from inside the room. Slide the cavity sealing sleeve through the 150mm dia. hole and the plastic conduit through the 20mm dia. hole, making good any masonry inside and out. Seal with a suitable mastic.

2. Slim profile "cavity" installation (Fig. 5) (Use closure plate Part no. T201) - Theme 22 only

The fire can be inserted into the inner leaf of a non-combustible wall. During building work the cavity must not be bridged other than by the ducts provided. Ensure that there is no structural damage or damage to the damp course. Any combustible material in the cavity must be removed or cut back to give a minimum clearance of 75mm from the sides and top of the closure plate.



1. Mark out the centreline for the position of the fire and the 560mm x 710mm cut-out as shown in Fig. 5. The closure plate may be used as a template to mark this opening and the position of the 150mm dia. hole. Remove the inner skin to this size and insert a lintel.
2. Mark out the centrelines of the 150mm dia. and two 20mm dia. holes on the outer leaf and bore out with a core drill as shown in Fig. 5. Note that the lower 20mm dia. hole passes through the inner wall only and can be drilled either side of the centreline of the fire to suit the installation.
3. Cut 2 x 100mm lengths from the 20mm dia. plastic conduit supplied and insert in the holes in the inner and outer walls. Make good any masonry inside and outside.
4. Position the cavity closure plate after fixing angles, mark out the screw hole positions, remove the closure plate and then drill the wall and insert the plugs ready to take the fixing screws.

3. Timber framed building - Theme 22 & Theme Inglenook

(Installation must be in accordance with British Gas Guide DM2)

The Timber Frame Kit Part no. T115 will be required in addition to the standard Turboflue. This consists of:

- Sleeve
- End plate
- 'O' ring
- Fibreglass slab (not used with Theme Inglenook)

Care must be taken to protect combustible materials from contact with hot surfaces on the convector box and flue.

Proceed as follows:

1. Mark on the inside wall the centreline of the flue outlet, which must be central between two vertical studs (See Fig. 4, lower left hand view) and mark a 200mm dia. circle.
2. Drill a pilot hole right through the wall on the centreline.
3. From the outside drill through the brickwork only with a 150mm dia. core drill.

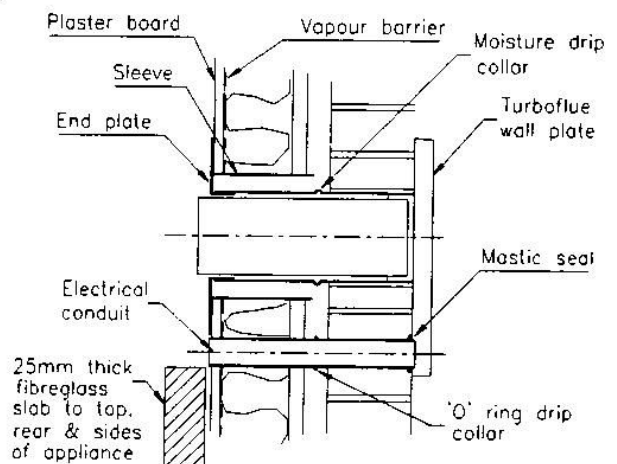


Fig. 6 Timber framed cutout

4. With a sharp blade score round the 200mm dia. circle on the plasterboard, crosshatch within the perimeter of the circle and break out the plasterboard without damaging the vapour barrier.
 5. Cut the vapour barrier 10mm less all round than the hole in the plasterboard and push back around the hole.
 6. Stitch drill ply sheathing and complete the hole with a pad saw.
 7. Insert the cavity sealing sleeve ensuring that the moisture drip collar is central within the cavity and seal on the outside with flexible mastic.
 8. Fit the 200mm dia. sleeve from the inside, cut to length to ensure that it does not protrude more than 10mm into the cavity. Use flexible mastic to secure.
 9. Push the endplate into position. (See Fig. 6)
 10. Mark out on the inside wall the centreline of the 20mm dia. hole (See Fig. 4, lower left hand view).
 11. Drill a pilot hole right through the wall on the centreline.
 12. From the outside drill through the brickwork only with a 25mm dia. core drill.
 13. From the inside drill through the inner skin 20mm dia.
 14. Cut the 20mm dia. plastic conduit to length and fit the 'O' ring supplied to locate in the centre of the cavity to form a drip collar.
 15. From the outside insert the plastic conduit and seal with flexible mastic.
- IMPORTANT:** The top, rear and sides of the appliance must be covered with a 25mm minimum thickness of fibreglass insulation.

Assembly of appliance

1. Fit the gather to the fire by inserting the lip inside the outlet of the fire with the small foot pressing against the back of the convection box. Secure with the 3 screws provided taking care not to damage the ceramic fibre gaskets.
2. Fit the connecting duct to the gather spigot as shown in Fig. 7. Make sure the gasket is compressed and temporarily secure with the hexagon set screw provided.
3. Place the fire on the non-combustible base and slide back so that the connecting duct passes through the sleeved hole until the fire is positioned correctly. The gap between the back of the appliance and the front face of the inner wall depends on the false chimney breast and surround, but should not be less than 50mm. Mark through the holes in the base of the fire.
4. Go outside and mark the connecting duct exactly in line with the face of the outside wall. Undo the hex. set screw, remove the connecting duct from the gather and trim to the marked line.
5. Remove the Turboflue fan unit cover by undoing the four retaining screws.
6. Remove the switch plate from the cable by slackening the seven terminal screws.
7. Remove the three nuts and washers and detach the fan unit from the wall plate.
8. Remove the three spacers and put aside with the nuts and washers.
9. Protect all these parts to avoid accidental damage.
10. Insert the plain end of the connecting duct in the wall plate spigot with the gather fixing strap uppermost. Seal the joint with the tape provided (Fig. 8).
11. On the outside wall measure and mark two guide lines as shown in Fig. 9 to assist in locating the wall plate centrally within the connecting duct.

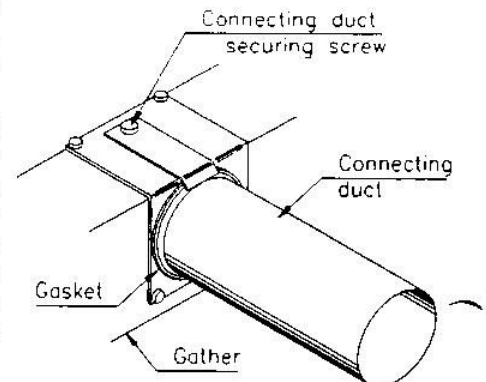


Fig. 7 Securing the connecting duct (rear outlet)

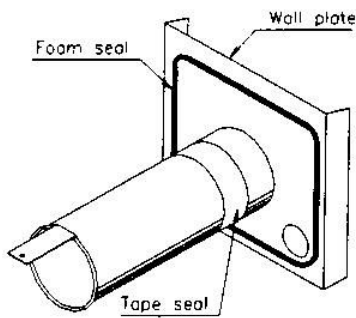


Fig. 8

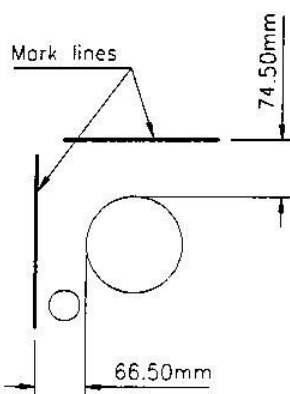


Fig. 9

12. From the outside, pass the connecting duct through the sleeved hole locating it onto the fire gather spigot, position the wall plate using the guide lines and mark through the wall plate the position of the four fixing holes in the wall. Remove, and drill holes to take the plugs supplied.
13. Reassemble and screw the assembly to the wall, taking care not to distort the wall plate by overtightening the screws.
14. Take the fan head outside. Fit the three spacers over the 6mm studs, then fit the fan head, washers and nuts.
15. Remove the fire from the non-combustible base, pulling it forward to release from the duct.
16. Drill the marked holes in the non-combustible base and insert the plastic plugs.
17. CARRY OUT ELECTRICAL INSTALLATION STEPS 1-5.
18. *If this is a slim profile installation*, insert the cavity closure plate (Part no. T201) and secure to the sides of the opening with screws and plugs provided. The plate must project no more than 10mm into the cavity. Seal round the edges with a suitable mastic.
19. Place the fire on the non-combustible base and slide the gather spigot into the connecting duct. Fix the fire to the base using the screws provided. Secure the connecting duct to the gather with the hex. set screw, ensuring that the gasket is compressed (Fig. 6).
20. COMPLETE ELECTRICAL INSTALLATION STEPS 6 and 7.
21. Construct the false chimney breast and install the fire surround and suitable hearth as required. Refer to clearances for combustible materials on page 4.
22. Fit the fan unit cover with the four screws provided.

Electrical installation

NOTE: THIS APPLIANCE MUST BE EARTHED; Electrical wiring work must conform to current I.E.E. Wiring Regulations.

1. Pass the 4-core plus earth cable with plug through the grommet in the wall plate and then through the 20mm conduit, followed by the 3-core mains cable and the 7-core switch cable (Fig. 10). All cables should be routed as shown in Figs 3, 4 or 5.

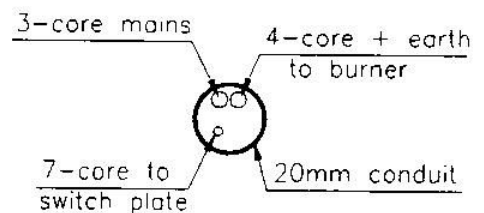


Fig. 10 Cable conduit layout

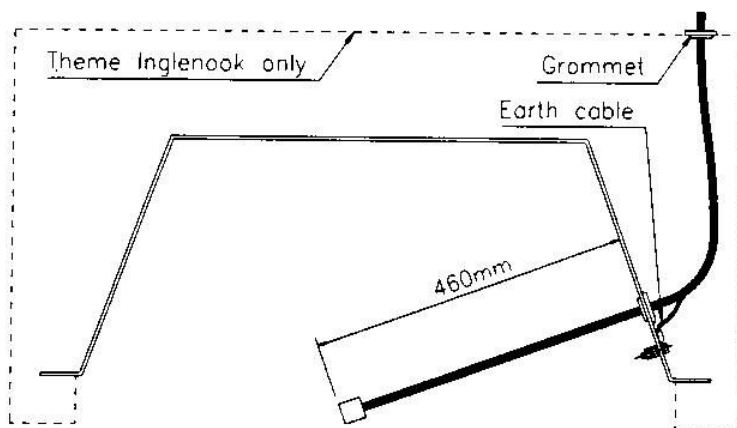


Fig. 11

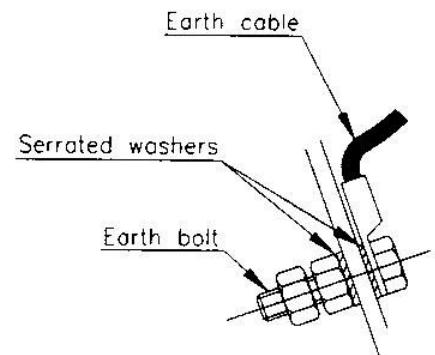


Fig. 12

IMPORTANT

2. *Theme 22 only.* Place the insulation slab in front of the cables and fix to the wall with masonry nails and washers supplied, taking care not to damage the cables. See Figs. 4, 5 and 13.
3. The mains cable should be trimmed to length and connected to a switched fused spur (3A fuse) with at least 3mm contact separation in all poles.
4. Decide with the user on a suitable location for the switch plate and fit the galvanised back box.
5. Route the 7-core cable as required, trim to length and connect to the rear of the switch plate taking care to connect the cores as indicated on the label.
6. Bring the 4-way plug and cable through the right hand hole in the side of the convection box ready for connection to the burner (see Fig. 11). (Do not bring the earth cable through this hole) Coil up any excess and place between the insulation slab and the wall.
7. Connect the earth cable to the earth bolt in the firebox side, ensuring that the serrated washers are fitted as shown in Fig. 12.
8. See Fig. 27 page 21 for a complete wiring diagram.

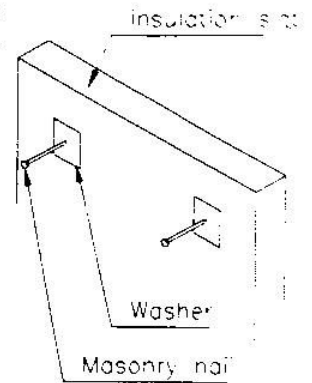


Fig. 13

Final assembly

Following satisfactory installation of the convection box and Turboflue fan unit, proceed as follows:

1. Connect the earth link lead from the burner to the earth bolt in the firebox side as shown in Fig. 14.
2. Secure the burner to the convection box using the two screws provided, through the holes in the front of the legs.
3. Connect the gas supply pipe to the inlet elbow.

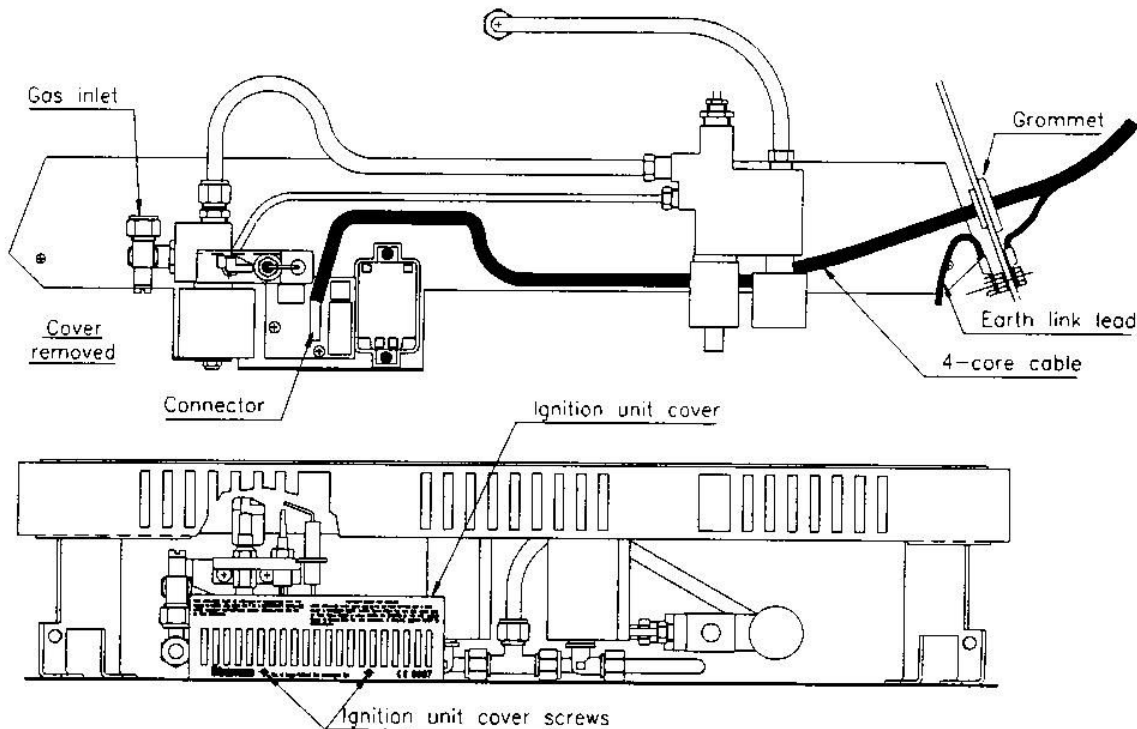


Fig. 14 Burner & ignition unit

WARNING: Always blow pipework through before connecting to appliance - contamination will permanently damage the burner.

4. Remove the ignition unit cover beneath the burner (see Fig. 14). Route the 4-core cable as shown and plug into the printed circuit board. Fit the cable grommet into the hole in the side of the fire and replace the cover. Do not allow the cable to loop up under the burner.
5. Install the ceramics and coals. The ceramic components are fragile and should be handled with care.
6. Refer to Fig. 15. Place the chair shaped back ceramic on the burner, pushing it back against the upturned edge of the burner plate.
7. Place the centre ceramics on the back ceramic pushing them back to sit comfortably between the tapered sides.
8. Spring forward the slotted front plate and slide the three front ceramics down as far as the stops.

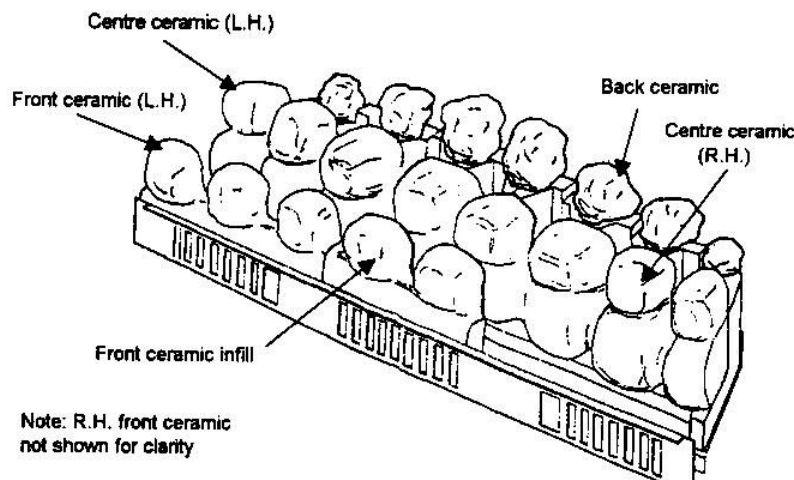
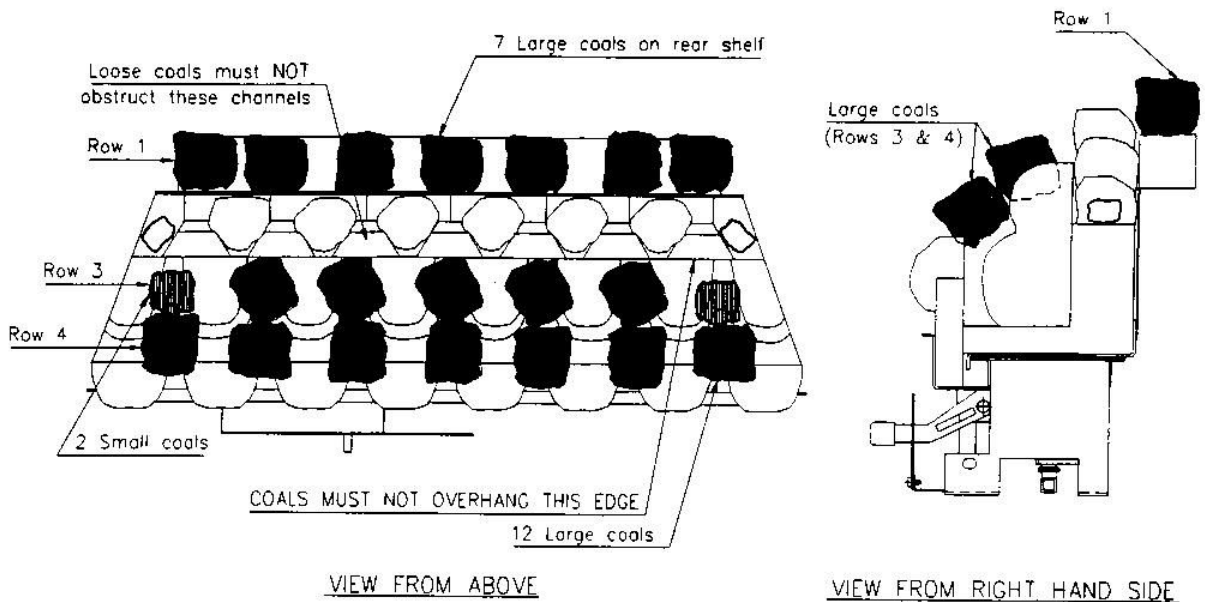


Fig. 15 Assembling the ceramic blocks & coals

Placing the coals

1. Place 7 large coals on the rear shelf to make row 1.
2. Place 7 large coals across the front of the fire to form row 4.
3. Place the remaining 5 large coals above and behind to make row 3.
4. Take the 2 small coals and place one at each end of row 3

Theme 22

If a flat trim has been supplied, attach it to the fire flange by means of the magnets. If the optional canopy trim has been supplied, first remove and discard the existing front cover by undoing the two screws in its bottom edge, then secure the canopy trim using the same fixings. (See Fig. 16)

Theme Inglenook

Fitting the canopy is a task which will be made easier with the help of a second person.

1. Check the height available for the canopy and shorten from the top as necessary using a stout set of tinsnips.
2. Remove the two screws from the canopy front support (see Fig. 17)
3. Lower the canopy on to the fire so that the front flange locates undemeath the front support rail and the two holes in the flange at the back of the canopy locate over the pegs in the rear support angle. Secure the front edge with the two screws supplied, screwing upwards into the spring clips.

Leak test & pressure test

1. Turn on the main gas supply and check for leakage with a suitable leak detection fluid.
2. Remove pressure test screw, and fit pressure gauge to pressure test point.
3. Light the fire (see next section).

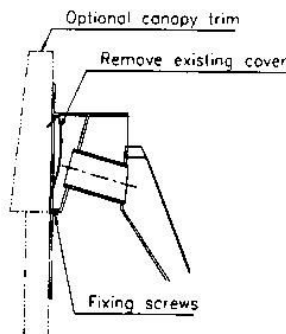


Fig. 16 Fitting canopy trim
(Theme 22)

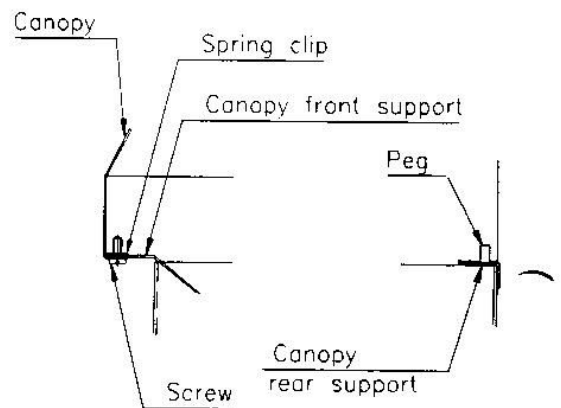


Fig. 17 Fitting the canopy
(Theme Inglenook)

4. Press High/Low button to obtain a high flame.
5. With High flame indicated, you should have a gas pressure of 19.0mbar \pm 1.0mbar.
6. Extinguish the fire by pressing the On/Off button.
7. Remove the pressure gauge and replace the pressure test screw. Check again for gas soundness.
8. Fit the front fret by hooking the support lugs at each end over the slotted front plate on the burner.

Lighting the fire

1. Switch on the main electrical supply to the installation.
2. Press the On/Off button. The power light will come on, followed shortly by the fan light.
3. Press the ignition button for 10 seconds then release. The gas indicator light will come on and the pilot burner will ignite.
Note: If this button is pressed for more than 30 seconds the ignition unit will automatically cease to spark. Allow 3 minutes before attempting to re-light.
4. When the ignition button is released the main burner will ignite on the low setting.
5. High or low flame may be selected by alternate presses on the Low/High button. The lights will indicate which has been selected.
6. The appearance of the flames can be altered by means of the air adjustment lever positioned behind the 'ash pan' door. Moving the lever up will admit more air and produce a 'coke fire' effect. Moving it down will close off some of the air and simulate a 'coal fire' with flickering flames.
7. To turn the fire off press the On/Off button.

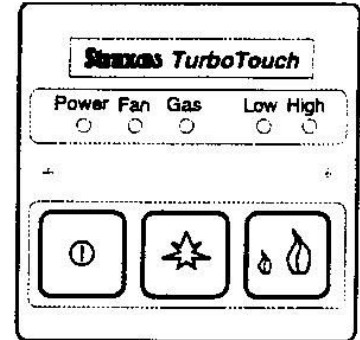


Fig. 18 Switch plate

NOTE: If on pressing the On/Off button the Power neon lights but the Fan neon does not come on, switch off the mains supply at the fused spur for 2 seconds and switch on again. Repeat the lighting procedure and if the Fan neon still does not light, this indicates a fault. Check that there are no obvious obstructions to the fan outlet. If this is not the case the fault will require investigation by a service engineer.

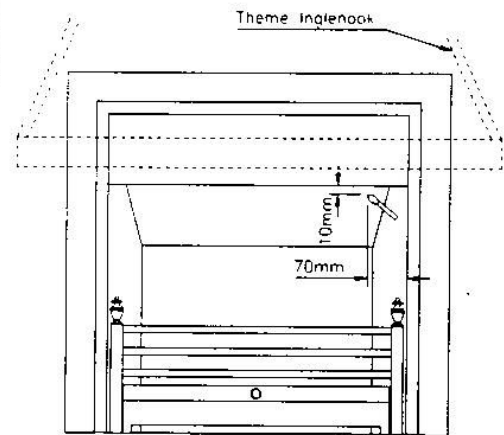
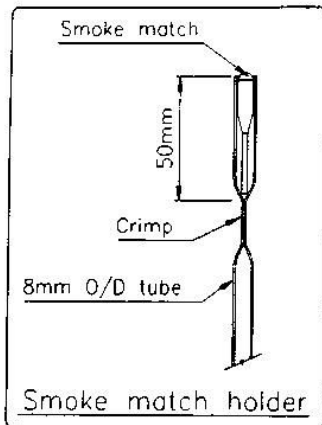


Fig. 19

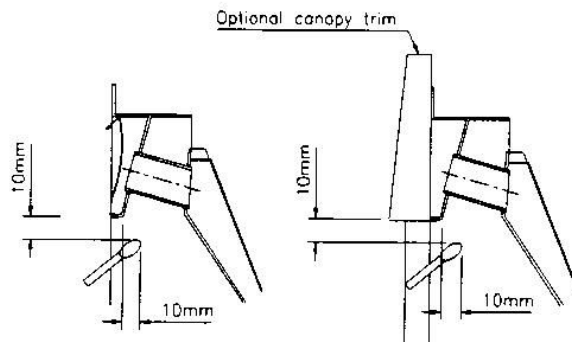


Fig. 20

Fig. 21

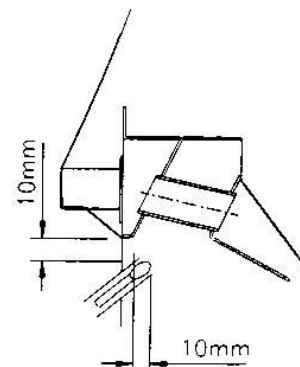


Fig. 22

Check for clearance of products of combustion

1. Light the fire.
2. Close all windows and doors.
3. After approximately 5 minutes place a shrouded smoke match 70mm from the right hand side, inside edge of the trim, 10mm below and 10mm within the opening of the fire as shown in Figs 19 to 22. Ensure that the smoke is drawn into the fire aperture. If spillage is detected, the cause must be discovered and the fault corrected. If the cause cannot be corrected disconnect the gas supply to the appliance and seek expert advice. **NOTE: DO NOT HOLD SMOKE MATCH IN ANY OTHER POSITION.**
4. If there is an extraction fan in a nearby room then the spillage test must be repeated with the fan turned on and any interconnecting doors between the fire and the fan location left open.

Check operation of safety system

Test 1

1. Light the fire
2. Block the flue outlet with a suitable plate for 6 seconds. The fire should not be extinguished and the power and fan indicators on the switch plate should be lit.

Test 2

1. Light the fire
2. Block the flue outlet with a suitable plate for 20 seconds. The fire should now be extinguished, the fan should not be running, and no indicators on the switch plate should be lit.

Instruct the user

1. Hand over these Installation Instructions and the User Instructions to the person who is going to use the fire and explain how to light and operate the appliance.
2. Make certain that the user is aware that the ceramic blocks and coals must be located in accordance with the instructions, and that the appliance should be serviced at regular intervals by a competent person to ensure continued safe operation.
3. Explain that this appliance is fitted with an oxygen depletion sensor incorporated into the pilot body. Should the fire repeatedly extinguish itself, the cause should be sought and remedied as this may indicate spillage into the room of combustion products.
4. Indicate the tie-on warning label which the customer must remove and read.
5. Advise the user that any smell given off by the appliance will clear away after a little use.
6. Point out that these instructions must be retained in a safe place for future use.

Maintenance

Servicing should be carried out at least once a year by a competent person in accordance with these instructions and the relevant regulations, to ensure the safe and correct operation of the appliance.

Before commencing any service or replacement of parts, turn off the main gas and electrical supply and ensure that the fire is cold.

When ordering spare parts please quote appliance serial number which can be found on the data badge plate.

Ceramics

Examine the coals and ceramic blocks for signs of cracking and replace if necessary. Handle the ceramic components with care. Dust off any soot or deposits with a soft brush. Do not vacuum clean.

Replacement of parts

With the exception of ceramic mouldings and loose coals, there are no serviceable items. Should a fault develop contact our service department which will advise on which assembly or assemblies to return to the factory for repair and testing.

Removal of burner

1. Isolate the appliance from the mains electrical supply and turn off the gas supply by the isolation cock.
2. Disconnect the 8mm pipe from the elbow at the left hand side of the burner.
3. Remove slotted cover and disconnect the 4-way plug from circuit board.
4. Remove earth link screw from firebox side to release earth lead.
5. Remove the 2 screws holding the burner to the convection box and lift the burner out of the opening.
6. Examine the flue for debris and clean if necessary.
7. Reassemble in the reverse order.
8. After servicing check for gas soundness.

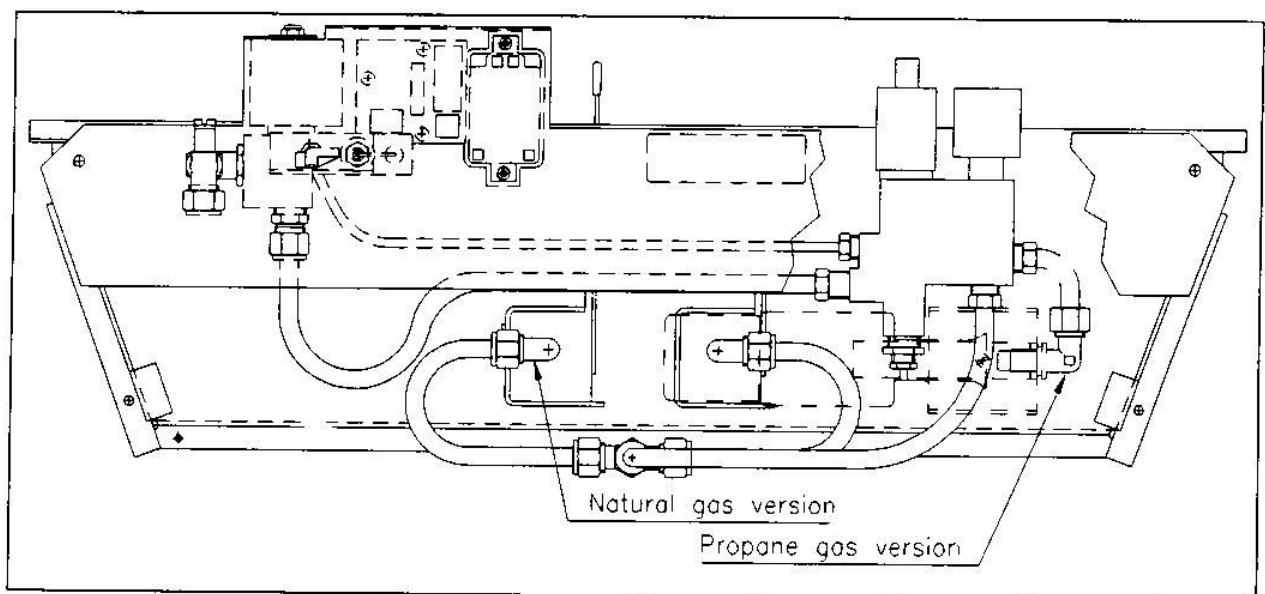


Fig. 23 Underside of burner

Replacement of main injector

1. Remove the burner as described above.
2. Disconnect gas supply pipe to injector.
3. Unscrew injector and replace, making certain that the jet size stamping corresponds to the specification on the Data Badge plate.
4. Reassemble in reverse order.
5. Turn on the gas supply and check for soundness.

Replacement of ignition/pilot assembly (oxypilot)

1. Remove the burner as described above.
2. Disconnect ignition lead to the igniter unit.
3. Disconnect the gas supply pipe to the pilot burner.
4. Disconnect the thermocouple from the main gas valve block.
5. Carefully slacken the two terminal screws retaining the insulated thermocouple lead to the circuit board.
6. Take out the two screws securing the oxypilot to the mounting bracket and remove the oxypilot.
7. Lay the new oxypilot alongside the old unit and cut the insulated lead in the same position as on the old unit. Strip back the insulation approximately, 5mm.
8. Secure the new oxypilot assembly to the bracket and reconnect, taking care not to damage the terminals on the circuit board.
9. Reassemble the appliance in reverse order.
10. Turn on the gas supply and check for gas soundness.

Removal of fan for cleaning

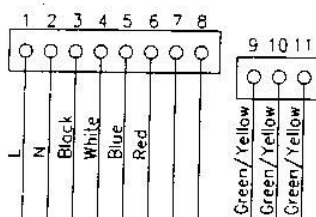


Fig. 24

1. Isolate from mains electrical supply.
2. Remove terminal guard if fitted.
3. Remove the Turboflue cover by undoing the four retaining screws.
4. Remove the four screws from the PVC electrical control box and remove the cover.
5. Unplug the 7-way connector located near the top of the box.
6. Slacken terminals 1 - 6, 9 and 10 at the bottom of the box and remove the mains supply cable, and 4-core plus earth burner cable. (See Fig. 24)
7. Remove the three nuts and washers, and pull the fan head off the studs. Run the washers and nuts back on the studs to prevent loss of spacers.
8. Any accumulation of debris on the fan blades should be removed with a soft brush, and any deposits of lint removed from all components.
9. Reassemble, following steps 2 to 7 in reverse order. See Fig. 27 for wiring layout in the control box.
10. Carry out safety system tests 1 and 2 as detailed on page 16.

Supply cord

If the mains supply cord is damaged it must be replaced by a suitably qualified person.

General

Check the area in the vicinity of the fan unit for any obstruction by overgrown shrubbery, etc. which could affect the free flow of combustion products.

Following a service, a check should be made for clearance of combustion products. Follow the procedure detailed in these instructions.

Cleaning the fire

Black paint: Use only a clean, lint free damp cloth. Do not use any cleaning agents.

Brass parts: Use Brasso or Duraglit ensuring that it does not come into contact with the black paint finish.

IMPORTANT - The paint finish is durable and heat resistant, however it will be damaged if plaster, cement or wallpaper paste is allowed to come into contact with it. **Protect the appliance during re-building or decorating work.**

SPARE PARTS

When ordering spare parts please quote part numbers as listed below:

	NG	LPG
Oxypilot assembly	E303	E302
Injector	E551 (2 off)	E555
1 back ceramic	E620	E620
2 centre ceramics (left & right)	E621	E621
3 front ceramics (left, right & centre)	E622	E622
Set of 21 loose coals	E623	E623

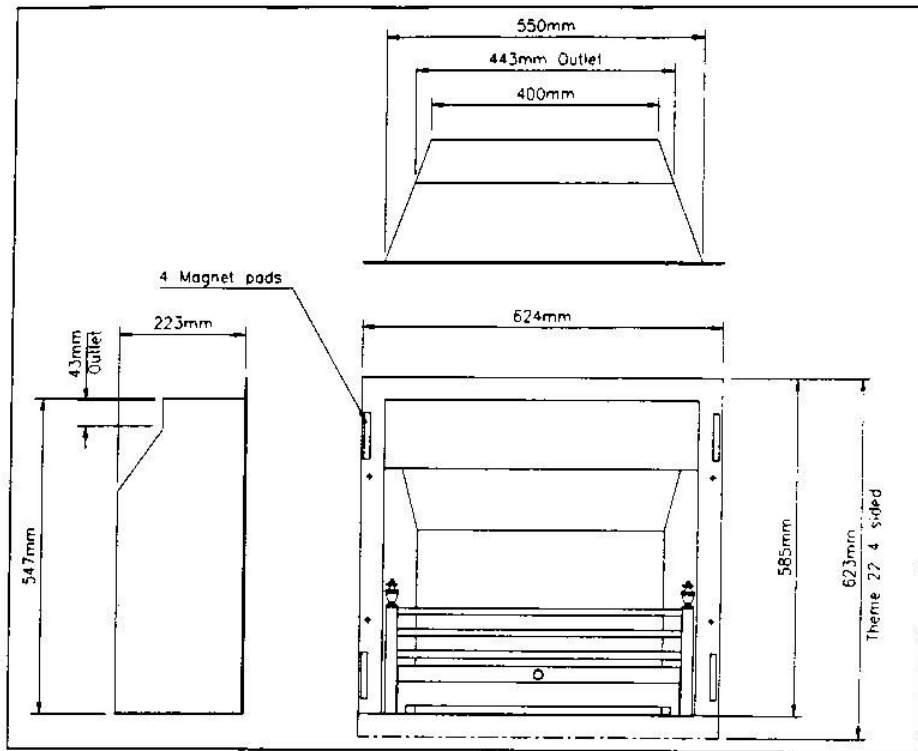


Fig. 25 Theme 22 outline dimensions

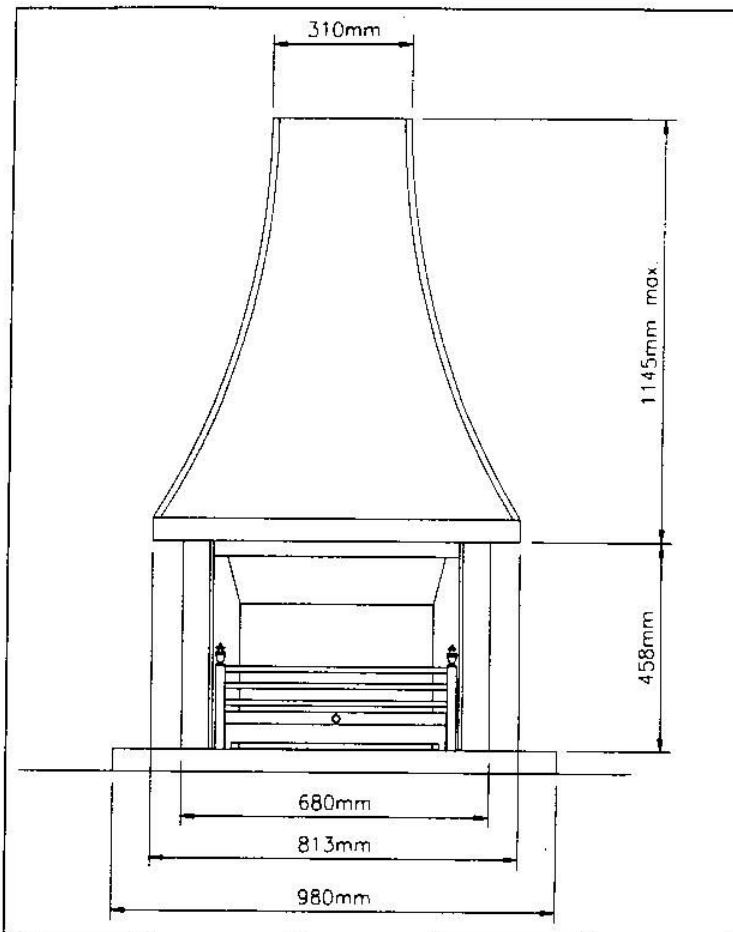


Fig. 26 Theme Inglenook outline dimensions

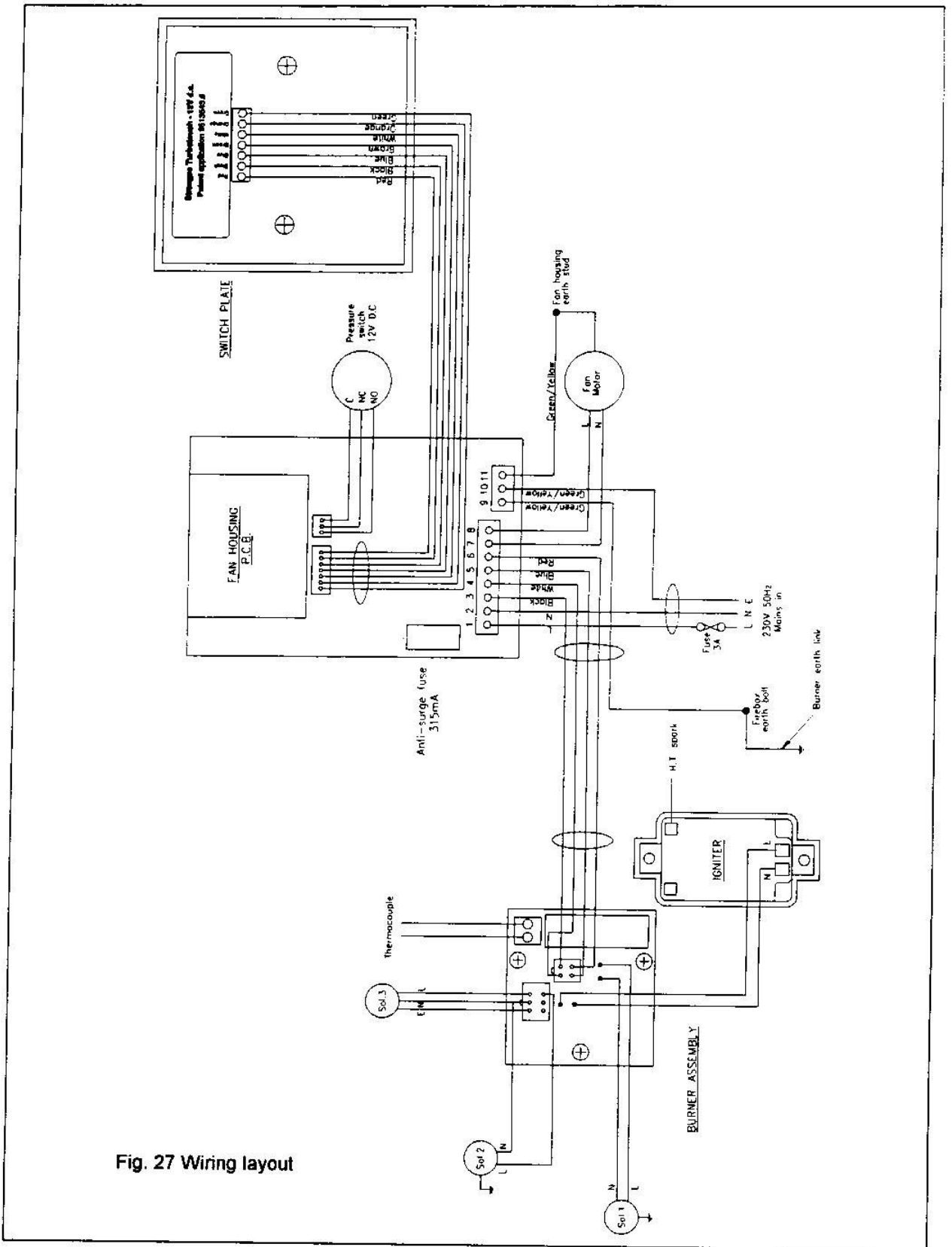


Fig. 27 Wiring layout

NOTE: No liability can be accepted unless this product has been installed and operated strictly in accordance with these manufacturer's instructions
 U.K. Registered Design 2040268. British Patent Application 9414887.1 & 9513543.0
 Design right reserved © Legge Fabheat Ltd.