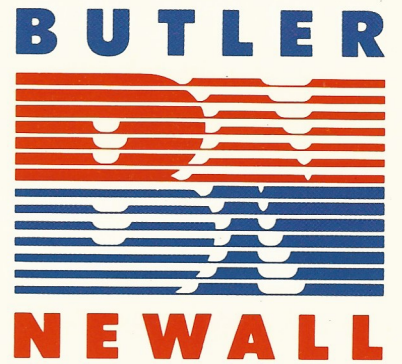


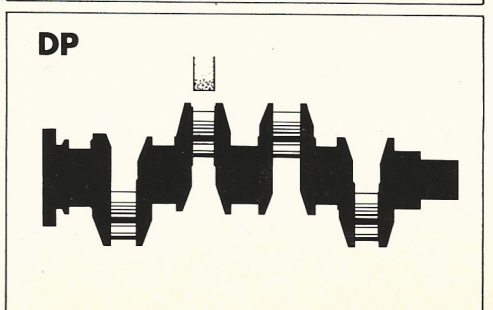
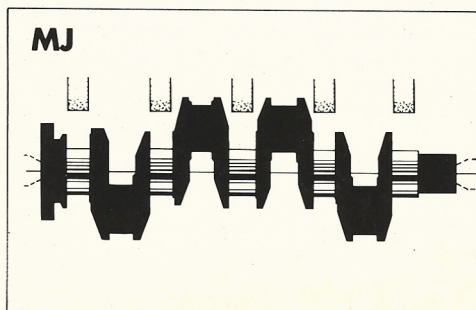
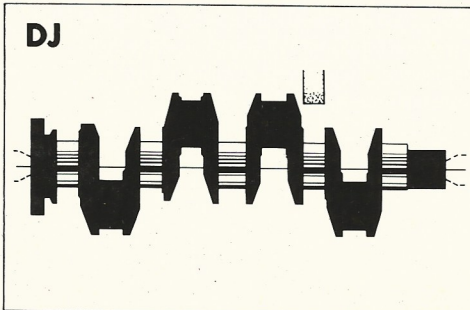
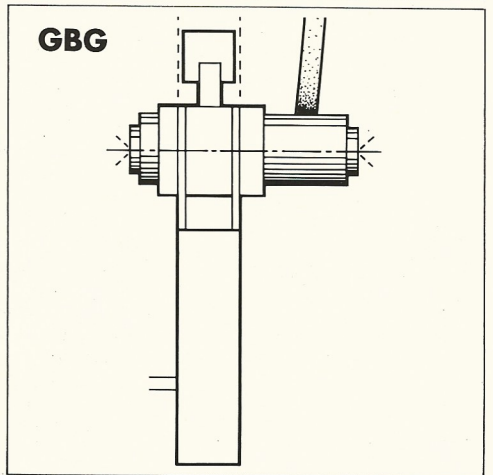
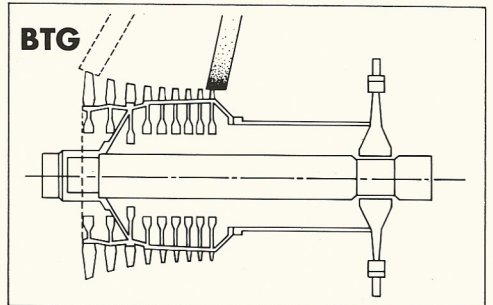
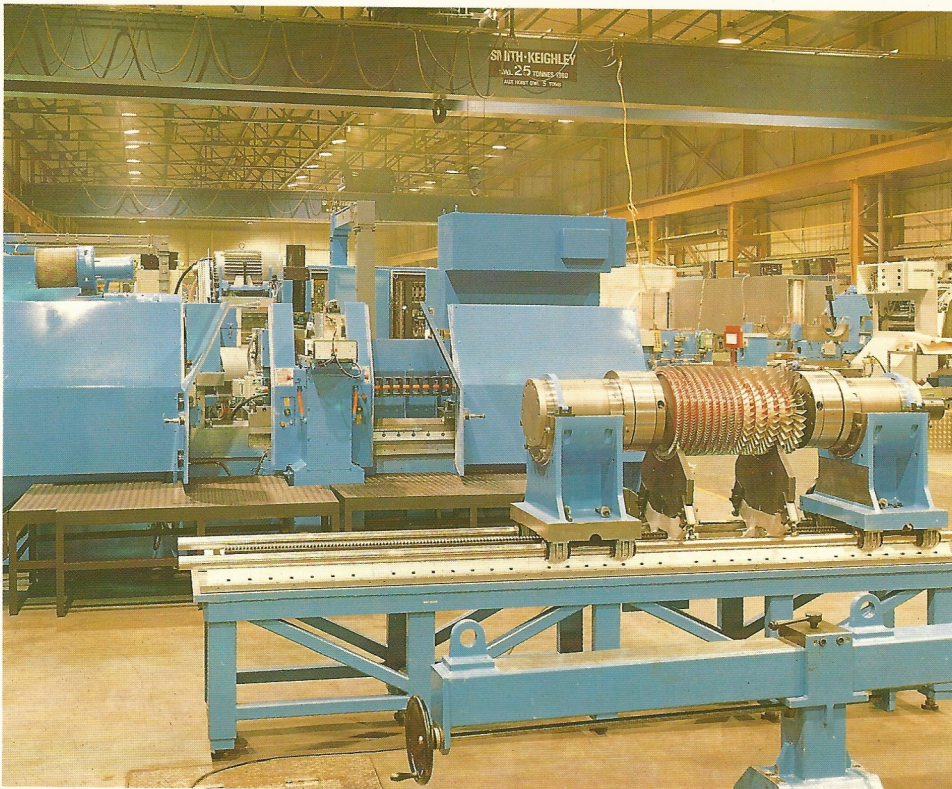
The Butler Newall Grinding Products Division is a leading manufacturer of specialist grinding machines for the aerospace and automotive industries. Born from the amalgamation of Newall Engineering and Keighley Grinders, the company has more than 100 years experience of solving grinding problems in every industrialised country in the world.

Butler Newall Grinding Products produces precision CNC controlled grinding machines used in the volume automotive and specialised aerospace industries. The company has no less than 350 fully automatic crankshaft grinding machines in use around the world today. And our industry leading blade tip grinding machine is used by all four western jet engine manufacturers and no less than 7 international air carriers.

Our customer list reads like a "who's who" of international engineering businesses. Faced with a challenge, Butler Newall reduce it to the norm and then set the standard.



GRINDING PRODUCTS DIVISION





BUTLER NEWALL LIMITED

Butler Newall Limited is a major manufacturer of specialist CNC machine tools. It's Halifax based Milling Division produces the Elgamill series of travelling column machining centres. Whilst the Grinding Products Division based in Keighley, West Yorkshire occupies a 43055 sq.ft. (4000 sqm) purpose built factory producing the automotive crankshaft and aerospace grinding machines. Together the two businesses employ some 450 people and export more than 90% of factory output. Butler Newall Limited is a subsidiary of B Elliott plc.

CUSTOMER SERVICE

Every enquiry receives our full attention. Customer drawings are studied and full time cycles/feasibilities are proposed. During each contract, customers are invited to attend pass-offs at the Keighley works and to witness machine progress on the shop floor. For larger contracts a project team is appointed to liaise with engineering, sales and the customer.

OPERATOR TRAINING

After final acceptance of the machine a full operator training course is carried out at either our works or on the customer's site. Further training is available as required by the customer.

ENGINEERING

Our products are constantly being enhanced to suit particular customer requirements and to produce the most efficient machine tool available so the customer achieves the highest possible productivity and financial returns.

AFTER SALES SERVICE

Butler Newall have recently established a dedicated Spares and Service Division operating out of large, well equipped premises in Halifax. A spares stock is maintained and teams of highly experienced service engineers, many of whom have been with the company since apprenticeship, are on call 24 hours a day to go to any part of the world.

WORLDWIDE PRESENCE

Customers can rely on a worldwide marketing network including a dedicated Sales, Spares and Service office in the USA. Elsewhere we have a strong team of experienced agents ready to answer any questions. Please contact us to find out your nearest agent or distributor.

Butler Newall Limited · Aireworth Road ·
Keighley BD21 4DP · England.
Tel: 0535 667911 · Telex: 51266 KAGEE G ·
Fax: 0535 · 664418.

Butler Newall Inc · 1632 Colonial Parkway ·
Inverness IL 60067 · Tel: (312) 991 · 0800
Telex: 206764 · Fax: (312) 991 · 0814.