

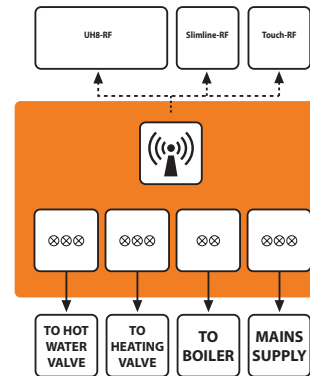
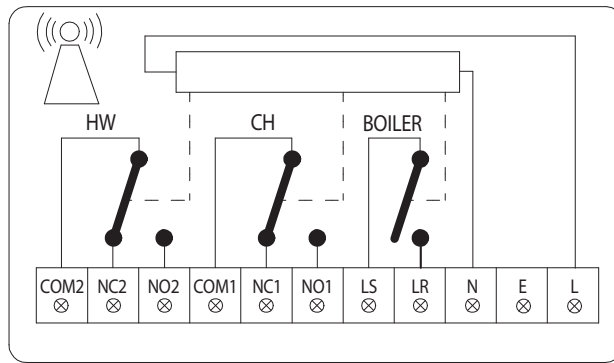
Wireless Series

Model: RF-Switch



UH8-RF Compatible	Y
Boost Compatible	Y
Slimline-RF Compatible	Y
Touch-RF Compatible	Y
Number of heating zones	1
Boiler Output	1
Number of Hot Water Zones	1
Neon Indication	Y
DIN Rail Mounting	N (Surface Mount)
Supply	230v AC 50Hz 1 Phase
Relay Load Max	3 Amp Resistive
Total Load Max	9 Amp Resistive
IP Protection	IP20
Installed Dimensions (L,H,D)	108 x 90 x 24mm
Weight	166g

Circuit Board/Wiring



Product Dimensions (mm)

