

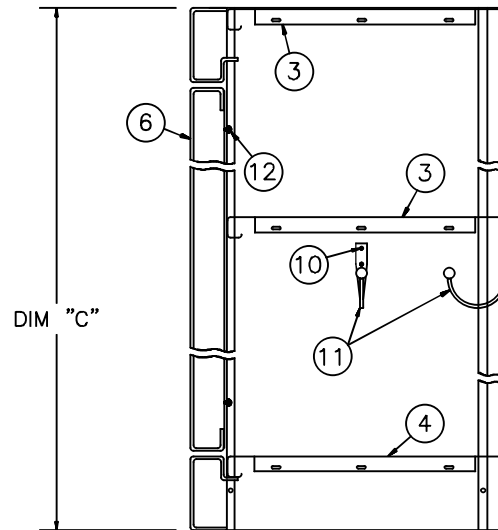
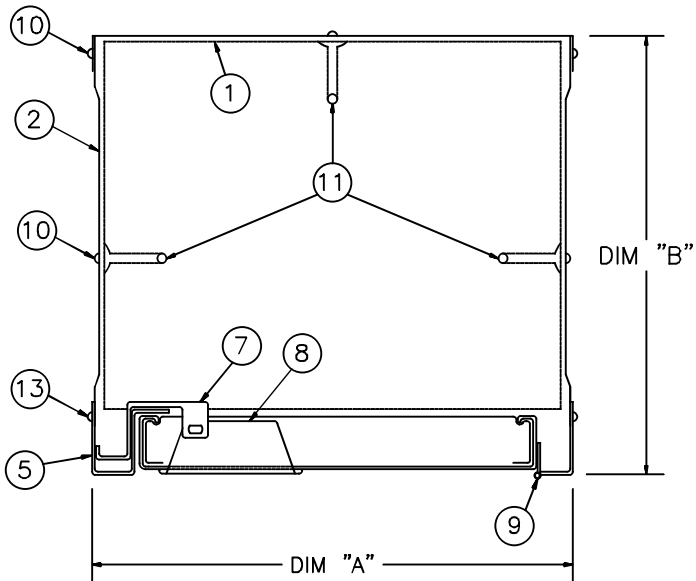
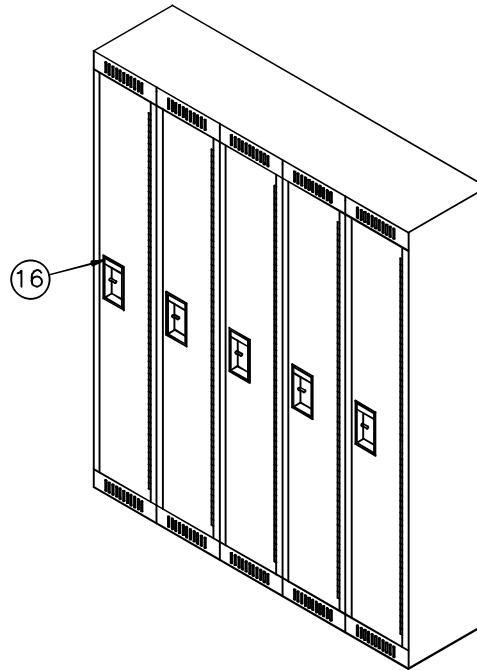
ELITE FLUSH DOOR LOCKER PARTS

NO.	DESCRIPTION	GAUGE
1	BACK PANEL	20 (0.91MM)
2	SIDE PANEL (REVERSIBLE)	20 (0.91MM)
3	TOP & HAT SHELF	16 (1.52MM)
4	BOTTOM SHELF	16 (1.52MM) GALVANNEAL
5	DOOR STRIKE FRAME	16 (1.52MM)
6	DOOR (LINER 20 GAUGE (0.91MM))	14 (1.90MM)
7	HASP	12 (2.66MM)
8	STAINLESS STEEL POCKET	
9	CONTINUOUS HINGE & FRAME	16 (1.52MM)
10	RIVET	
11	COAT HOOK	
12	DOOR BUMPER - 2 PER DOOR	
13	#8 x 5/8" BOLT & NUT	
14		
15		
16	NUMBER PLATE & DOOR PULL	

EXTRA & SPECIAL PARTS

27
28

DIM "A" DIM "B" DIM "C"



GENERAL STORAGE SYSTEMS

2995 PAGE STREET, LONDON
ONTARIO, CANADA, N5V 4P6
PHONE: (519) 453-5910
FAX: (519) 455-0037

PROJECT:

STYLE:
TYPICAL SINGLE TIER
ELITE LOCKER

CUSTOMER:

QUOTE NO:

ARCH/ENG/CONT:

REVISION NO:

DATE: OCTOBER 8, 2015

SCALE: NOT TO SCALE

DESIGNED BY:

APPROVED BY:

DRAWN BY:

DRAWING No:

SHEET 1 OF 1

DIMENSIONS MUST NOT BE SCALED,
ALL MEASUREMENTS MUST BE
CHECKED AND VERIFIED AND ALL
ERRORS SHALL BE REPORTED TO GSS
PRIOR TO PROCEEDING WITH JOB.

ALL PRINTS OF SPECIFICATIONS AND
PLANS ARE THE PROPERTY OF
GENERAL STORAGE SYSTEMS MFG LTD
AND NOT TO BE COPIED OR USED
WITHOUT WRITTEN PERMISSION.