

# Contura

INSERTS AND CASSETTES



A warm  
welcome home







There is nothing cosier than a real fire. Anyone who lives where there is an autumn, winter and spring knows this. But the heat from a fire is not just a cosiness factor that triggers deep feelings of safety and community. It is also a clever and modern solution that maximises both your and nature's resources.

A fireplace from Contura will spread warmth and cosiness in your home for many years to come. Therefore you should choose carefully. We make Contura for those who appreciate good design, intelligent functions and a wide choice. We make fireplaces for those who choose with the heart and the head.



# Contents

Welcome to our warm homes!

Contura values 6-7

Allow yourself to be inspired by some warm, comfortable homes 8-33

Choose the right fireplace 34

Twelve good characteristics 35

Product information

<b>Cassettes</b>	36
Contura i4	38-39
Contura i5	42-43
Contura i6	44-45
Combustion technology and air circulation	46
Accessories	47
Product facts	48-51

<b>Inserts</b>	52
Contura i10/i11	54-55
Contura i20/i21	56-57
Combustion technology and air circulation	58
Product facts	60-61
Contura i31	62-63
Contura i41	64-65
Contura i51	66-69
Temperature curves	70
Accessories	71
Product facts	72-75





# Quality, quality of life and comfort

At Contura, we're proud of our tradition of innovative design and technology. The soul that we incorporate into all of our stoves stands for quality, assurance and home comfort. Our soul and pride are communicated in three sentences that are at the core of our values.

## Timeless design, shaped for your lifestyle

Homes come in many styles and sizes. A choice of stove depends on various factors. It's good to know that you'll always find something in our range that's right for you.

- Design and features that last a lifetime
- Suits your style, whoever you are
- Multiple options



## Clean burning fires producing world-class natural heat

Fire has driven the evolution of mankind. Today, we're driving the evolution of heating technology. Efficient combustion means you can light up your stove with a clear conscience, knowing that you are being kind to the environment and your wallet.

- Clean glass with world-leading Clean Burning technology
- CO2 neutral
- Efficient combustion technology for excellent heating economy and minimal emissions

## Reliability backed by Swedish quality

Superior quality is a hallmark of Contura throughout its entire life, from production of a stove to its installation - and all the years it fills your home with light and heat.

- Made in Sweden, in the most state-of-the-art stove manufacturing facilities in the world, with a focus on reduced environmental impact
- Respect for human rights, good business ethics and high quality standards at every stage of production
- Service and spare parts throughout the life of the stove





A painting we never  
get tired of

The insert in our new chimney breast is like a brilliant and vivid painting. It is high up, so that the fire can be seen throughout the room. We never get tired of it, it is just as good after the fire has gone out and we sleep soundly in the lingering heat from the chimney breast.





A bridge between traditional  
and modern design.

I have a passion for tradition and go mad at flea markets and in antique shops. Why buy new and mass-produced, when there are so many beautiful, old things of much better quality? There are limits however, our forefathers were not better at everything. How lucky then that it is possible to combine good, old tradition with new and better technology, without losing the classical expression.



## A tangible difference



Our stove insert really makes a difference to the heating, so we light a fire nearly every day. With the large glass, it was perfect for our functioning stove. A lot of people think that it has always been there.



Contura i5, double doors

Sanctuary in the  
upgraded lounge



The lounge was the first thing that we renovated when we moved in. It was the best thing that we did, now we have a real sanctuary as we rebuild other parts of the house. We gather around the fire and the stove has just become more attractive with an insert and a grille.



Contura i6, frame and door in glass, black handle

Save with style



When we found the Contura i6, the decision to renovate the old masonry stove was made easy. Now we have a design that suits us, as well as a lovely fire that gives heating and saves money.



Contura i6, frame and door in cast iron

## New ideas with rustic influences



We wanted the stove to be at the heart of the house and we lit up, if you will pardon the expression, when we could have a masonry stove exactly as we wanted it. The rustic looks on the outside with modern, efficient technology on the inside suit us perfectly.



Contura i11S low

"The fire and the view are like a magnet. We are here. All the time."

For a family who live in large open spaces, the fireplace was the icing on the cake. A precast concrete surround with black front matched the interior decor and the architecture best. It took just a few days. Then family then had a piece of furniture that radiated heat, light and long-awaited cosiness – and which also eliminated the division between the room and the terrace. This is where they spend most time, outside or inside and looking at the sunset, playing with the kids, spending time and eating together. All in the warmth and beautiful glow of the fire.



Comfort with attitude



We do everything here in our old industrial premises - work, live and entertain friends. We wanted to create a sense of comfort but maintain the industrial connection, and the jet black chimney breast with the attractive flames feels like a forge. It is comfort with attitude.





All in one, just like the room

The masonry stove was the ideal way to tie in and at the same time divide the large space that is both kitchen, dining area and living room . Insert and natural stone in one, easy to install and ready for a fire Perfect!





## The feeling of an open fire

The fireplace could fill the width, but we wanted maximum space in front. With this solution we have a lot of fire, a lot of light and a lot of space.





## An insert for the modern home

Modern houses often have a style that best fits with modern form. Contura i50 has generous glass on three sides and surrounds in wonderful materials so that you can create the environment that you want.



## Active and playful

- that is what a home should be. The big, cosy fire gives off energy and retains the heat for a long time, thanks to the soapstone surround.





Here we have  
settled

- for a more relaxed life, where time can be taken for each activity. Such as enjoying a wonderful, warming fire for example.





# You choose a warm friend for life

Are you considering upgrading your open hearth with a cassette or a completely new fireplace? If so, you have come to the right place. Regardless of which Contura you select, you will get an efficient heat diffuser that will both give pleasure and save money on heating bills.

## Choose design

Fireplaces from Contura are appreciated because they show so much of the fire. This makes many of the models easy to position, even in confined spaces. Thanks to the large glass areas, in most models the flames can be seen from at least three sides.

## Different types

How much of the heating will the fire be responsible for? Is there a chimney breast or will a new chimney need to be installed? Is the old masonry open fire to be made more efficient? Do you want a new masonry stove but do not have a chimney breast? We have a solution for every need.

## Personal style

With our accessories you can give the fireplace your own personal style and adapt it to your interests and needs.

All accessories are made by Contura for Contura and fit the fireplaces perfectly.

FINNED GRILLE  
GIVES A MODERN  
IMPRESSION



# 12 properties your fireplace needs

- 1 High flame visibility.** Several of Contura's models have generous glass areas that display a lot of the fire. Our symbol for flame visibility indicates how much flame a particular model displays.
- 2 Cast iron door.** In order to resist the stresses that arise with the large temperature variations, the door must be made from shape-retaining cast iron.
- 3 High level of efficiency.** The efficiency is the relationship between the energy the stove gives off and the energy that is supplied in the form of logs. Contura fireplaces have an efficiency of up to 81 %.
- 4 Swedish made and guaranteed.** Contura fireplaces are high quality Swedish products developed and manufactured by NIBE Stoves. With a five year factory warranty and good service you can rest secure for the service life of the stove.
- 5 Clean Burning System.** The combustion air is heated to extremely high temperatures and flushed out onto the inside of the glass, which prevents soot build-up. This ensures that the fire is always visible in the room.
- 6 Powerful convection.** The cool room air is drawn into the stove from underneath, is heated and rises. Just a few minutes later the hot air flows out into the room.
- 7 CE marked.** All Contura products are CE marked, which guarantees a safe product.
- 8 Simple to use.** Contura products are equipped with a single control for exact output regulation, which allows simple and precise combustion control. The door, grates and ash-pan are also easily accessible.
- 9 Suitable for Premodul chimneys.** The Premodul chimney system is suitable for all our stoves and inserts. It is a fireproof, CE marked product that is available for all types of connection.
- 10 Flexible.** Contura is available in a number of variants and models. You can install a completely new stove, integrate with the existing chimney breast or stove and most importantly find your own style.
- 11 Heat retention.** For maximum efficiency in heating, it is possible to choose fans and different heat retention properties for several of the Contura models.
- 12 Many options.** Supplement with one or more options such as a powerstone heat tank or finned grille.



# Cassettes for both old and new fireplaces

An open fire is both cosy and pleasant, but unfortunately it does not give off much heat energy to your house. An open fire sucks the heat out of the room and you are literally only heating the birds. With a cassette you can create your own style and get better heating economy, guaranteed. You can design your own fireplace or simply use the cassette to adapt the existing fireplace.

With Contura cassettes you can retain existing style, or create a more modern impression. Whatever you choose, you get natural heating with modern combustion technology and generous areas of glass showing a lot of the fire. The Clean Burning system keeps the glass clean and the flames visible.

Contura is manufactured with the latest technology, which means that it is very energy efficient. The fireplace is easy to light and reaches full output within a few minutes. All Contura products are thoroughly tested so that you can light with a clear conscience and a great deal of pleasure.



## Harness the heat!

With a modern fireplace you eliminate the risk of lighting a fire just to heat the crows. Efficient combustion technology and air system mean that the surrounding air is heated and then flows out into the room. Traditional open fireplaces consume heated room air instead and let it flow out through the chimney.



## CONTURA i4 Modern



### Attention to both design and technology

Contura i4 Modern with three sided frame in modern design that blends easily into your home and is easy to position in the fireplace.

<b>Output</b>	<b>3-5 kW</b>
<b>Efficiency</b>	<b>78%</b>
<b>Co</b>	<b>0,1 %</b>
<b>Height</b>	<b>590 mm</b>
<b>Width</b>	<b>490 mm</b>
<b>Depth</b>	<b>380 mm</b>
<b>Weight</b>	<b>71 kg</b>
<b>Colour</b>	<b>Black, grey</b>
<b>Wood length</b>	<b>33 cm</b>

## CONTURA i4 Modern



### Looks, heating and good technology

Contura i4 gives the old fireplace new life with a stripped down design, generous glass and efficient technology.

<b>Output</b>	<b>3-5 kW</b>
<b>Efficiency</b>	<b>78%</b>
<b>Co</b>	<b>0,1 %</b>
<b>Height</b>	<b>635 mm</b>
<b>Width</b>	<b>490 mm</b>
<b>Depth</b>	<b>380 mm</b>
<b>Weight</b>	<b>72 kg</b>
<b>Colour</b>	<b>Black, grey</b>
<b>Wood length</b>	<b>33 cm</b>

### Retain your classic style

Contura i4 Classic retains the classic style of your existing fireplace but give more heat from the wood.

## CONTURA i4 Classic



<b>Output</b>	<b>3-5 kW</b>
<b>Efficiency</b>	<b>78%</b>
<b>Co</b>	<b>0,1 %</b>
<b>Height</b>	<b>600 mm</b>
<b>Width</b>	<b>490 mm</b>
<b>Depth</b>	<b>420 mm</b>
<b>Weight</b>	<b>77 kg</b>
<b>Colour</b>	<b>Black</b>
<b>Wood length</b>	<b>33 cm</b>



# CONTURA i5 panorama



## Clean lines and large glass areas

Contura i5 with panorama door gives the fire a lot of space. The clean lines blend into your home.

<b>Output</b>	<b>3-9 kW</b>
<b>Nominal output</b>	<b>5 kW</b>
<b>Efficiency</b>	<b>78%</b>
<b>Co</b>	<b>0,1 %</b>
<b>Height</b>	<b>480 mm</b>
<b>Width</b>	<b>550 mm</b>
<b>Depth</b>	<b>433 mm</b>
<b>Weight</b>	<b>77 kg</b>
<b>Colour</b>	<b>Black, grey</b>
<b>Wood length</b>	<b>35 cm</b>

# CONTURA i5, double door



## Make your home beautiful

Contura i5 with double doors is ideal for corner stoves where a larger door takes too much space. The modern impression is reinforced by the finned grille.

<b>Output</b>	<b>3-9 kW</b>
<b>Nominal output</b>	<b>5 kW</b>
<b>Efficiency</b>	<b>78%</b>
<b>Co</b>	<b>0,1 %</b>
<b>Height</b>	<b>480 mm</b>
<b>Width</b>	<b>550 mm</b>
<b>Depth</b>	<b>433 mm</b>
<b>Weight</b>	<b>77 kg</b>
<b>Colour</b>	<b>Black, grey</b>
<b>Wood length</b>	<b>35 cm</b>

## In a fireplace recess

Contura i5L has additional cast iron legs for positioning in a fireplace recess.





CONTURA i6, glass door



CONTURA i6, cast iron door



## With choice built in

Contura i6 has three different doors to choose between, so that you can have the feeling and impression that you want in your home. It is self locking to give you extra safety. We have also integrated technical finesse into the insert, such as adjustable screws to help level the insert and prepare for outside air and to make installation as smooth as possible.

## Style for every environment and heating for the prudent

Contura i6 is the ideal choice for those who have their own ideas of what a masonry stove should look like and want to build a new fireplace. Choose the impression you want to give with a completely glass door or a cast iron frame.

<b>Output</b>	<b>3-9 kW</b>
<b>Nominal output</b>	<b>5 kW</b>
<b>Efficiency</b>	<b>78%</b>
<b>Co</b>	<b>0,1 %</b>
<b>Height</b>	<b>504 mm</b>
<b>Width</b>	<b>593 mm</b>
<b>Depth</b>	<b>403 mm</b>
<b>Weight</b>	<b>92 kg</b>
<b>Wood length</b>	<b>35 cm</b>

## Which door do you choose?

### Door with cast-iron frame

On this door the glass has a cast iron frame with a recessed cast-iron handle. The insert frame is cast iron.

### Glass door

This door is all glass with a recessed handle of black cast iron or brushed steel. The insert frame is glass.

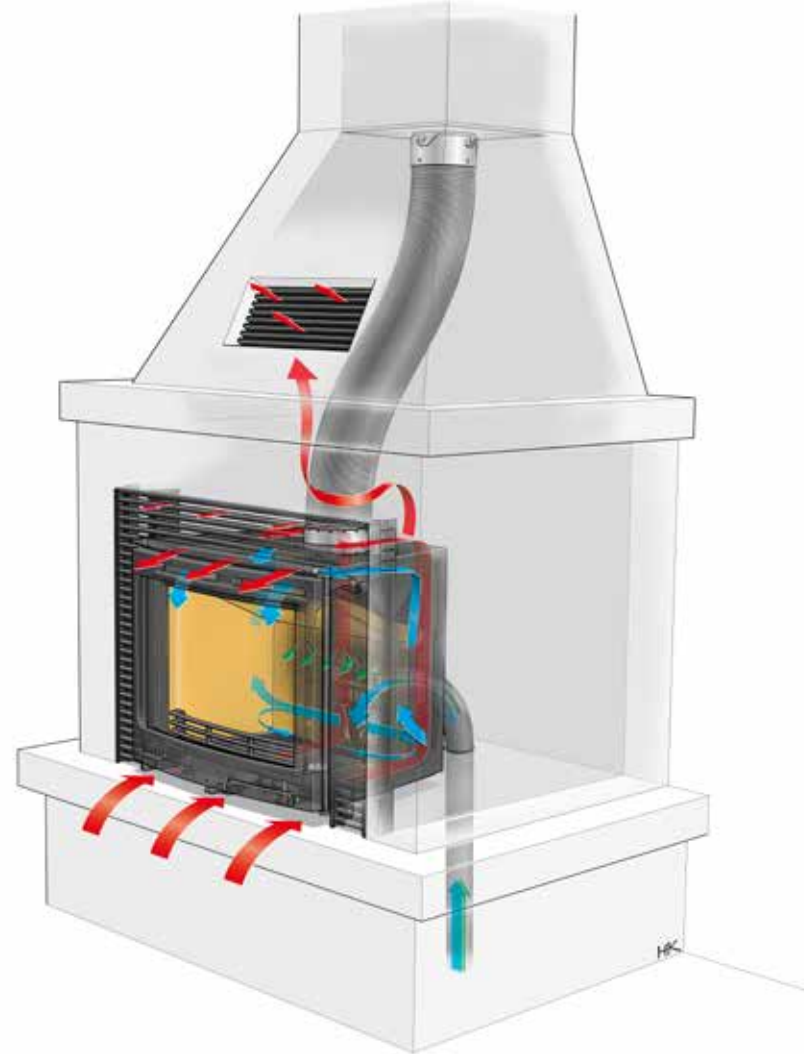




# Contura i5, efficient heating at all times

A Contura insert has a unique system for the supply of air that controls the intensity and heat of the fire. Combustion is even and efficient, which means that the smoke that is released contains extremely small amounts of particles.

The technology is based on the three flows of air working together inside the firebox via one damper. The fireplace is supplied with the correct amount of air, in the right place, regardless of the position of the damper.



## EFFICIENT AIR FLOW

The room air (red arrows) flows into the stove through the air intakes on the sides. It is heated in ducts above the firebox and flows out again as hot air from the top of the stove.

## PRIMARY AIR

The supply of primary air (blue arrows) is constant regardless of the damper position. All air for combustion can also be brought in via an air duct (option).

## CLEAN BURNING SYSTEM

The tertiary air (green arrows, Clean Burning) is also controlled by the damper. Clean combustion is achieved thanks to the three flows of air working together.

# Good design from the inside out



## Cast iron door

The cast iron door gives the stability and heat tolerance required. Choose between a modern panorama door or classic double door.



## Hood cover

The hood cover gives the insert a smart look and creates an extra flow of convection air, which means better heating economy.



## Integrated handle

The door opens easily using the inset handle at the lower edge of the cassette.



## Easily accessible controls

Quick heating with high temperature or slow heating with lower combustion? Choose yourself, the output is easy to control.



## Large glass areas

The largest possible glass surfaces enable the fire to be seen clearly. A two chamber damper means that the insert burns cleanly and the glass is kept soot-free.



## Elegant finned grille

Stove openings larger than the dimensions of the insert can be concealed by a matching finned grille. This is easy to cut to the perfect size and install.

## Outdoor air connection

Contura i5 can be supplemented with a supply air kit. The combustion air is then taken from outdoors.

## Chimney connection

A flexible, stainless steel, connection kit adapted for the product is available as an accessory for safe and functional connection to the chimney. It allows connection to the chimney before the insert is lifted into place.



## Legs

Contura i5 can be supplemented with short legs.



# Easy to fit, easy to like

Contura i4 is available in three versions: Modern for own recessing and Classic and Modern for installation in existing hearth opening. The inserts consist of a convection box and a firebox. The convection box is easy to install, adjust and connect to the chimney, either straight up or at a 45° angle diagonally backwards. It is

also possible to connect outdoor air for combustion. The firebox is docked inside the box and can be lifted out without affecting the chimney installation. Efficient convection technology makes heating quick.

Contura i4 Modern

Contura i4 Modern

Contura i4 Classic



**Four sided frame**  
For own recessing. Rectangular cast iron frame (635x490 mm) with removable handle. Damper at the upper edge. Grate and ash-pan. Black or grey.



**Three sided frame**  
For installation in fireplace openings. Three sided cast iron frame (590x490 mm) with removable handle. Damper at the upper edge. Grate and ash-pan. Black or grey.



**Classic**  
For installation in fireplace openings. Cast iron front (600x490 mm) with integrated handle. Damper at the upper edge. Grate and ash-pan. Black.

## Firebox dimensions

Height	550 mm
Width	390 mm
Depth	350 mm
Weight	77 kg

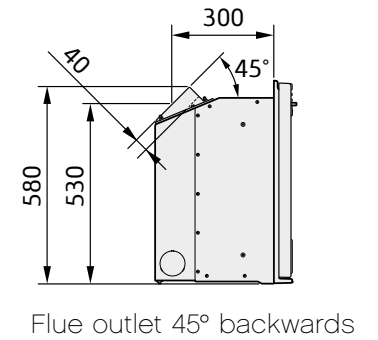
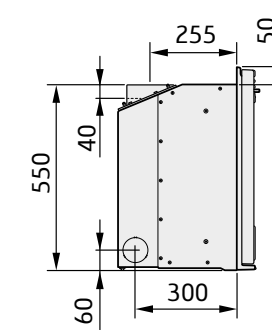
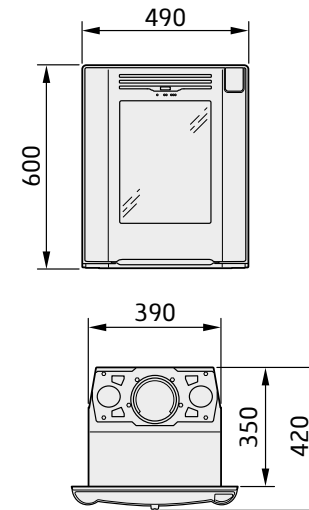
## Technical specifications

Output	3-5 kW
Nominal output	4 kW
Efficiency	78 %
Wood length	25 cm

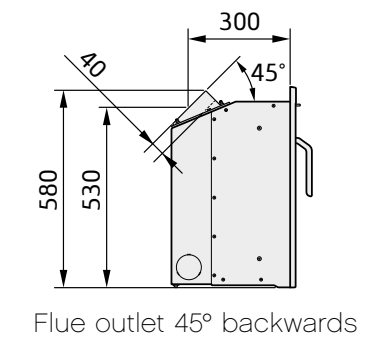
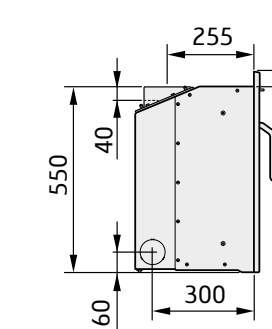
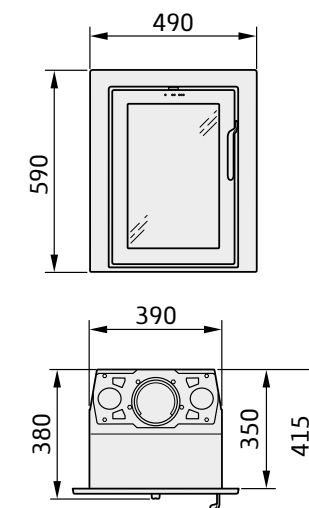
## Accessories

Brushed steel handle for Modern.  
Outdoor air connection kit.

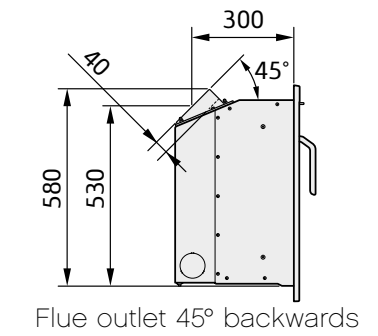
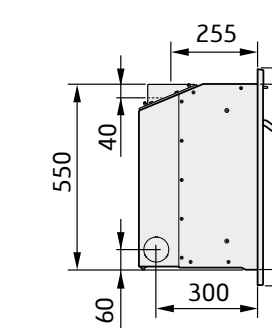
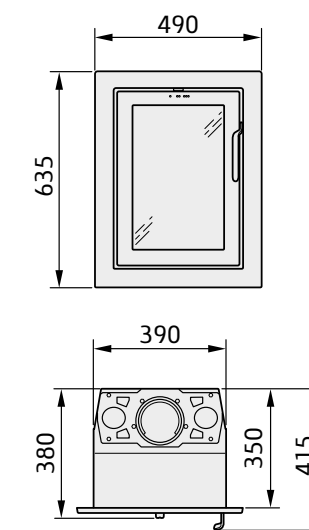
## Contura i4 Classic



## Contura i4 Modern, 3-sided frame



## Contura i4 Modern, 4-sided frame



More information can be found in the installation instructions.



# Style and output for every environment

The Contura i5 is designed to be installed in existing open fireplaces. Choose between panorama or double door and grey or black paint. The insert is easy to install, adjust and connect to the chimney, either straight up, straight back or at a 45° angle diagonally backwards. It is also

possible to connect outdoor air for combustion. The insert can be lifted out without affecting the chimney installation. Efficient convection technology gives rapid heating, that is easily controlled using the controls below the door.

Contura i5 panorama door

Contura i5 double doors



## Bowed

For installation in fireplace openings. Fits most open stoves. The handle is integrated in the door and the damper control is easily accessible on the front. Black or grey.

## Double

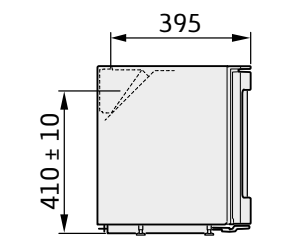
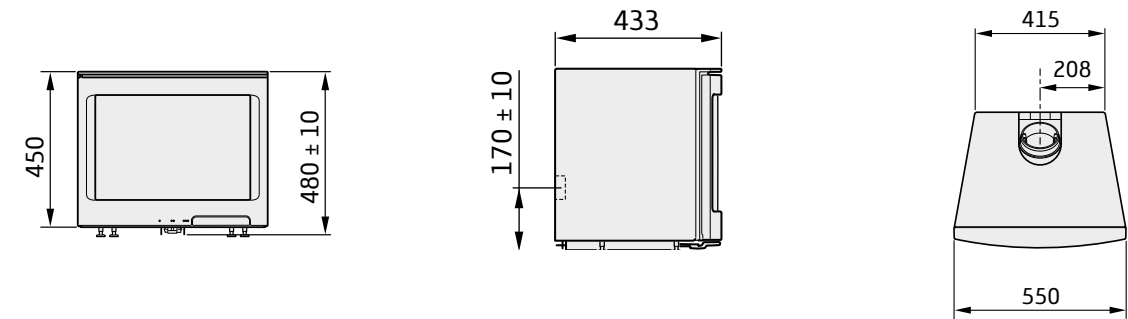
For installation in fireplace openings. Suitable for most open fireplaces, but particularly corner stoves where support bars are used and large doors can prove difficult. The handles are integrated in the door and the damper control is easily accessible on the front. Black or grey.

## Technical specifications Accessories

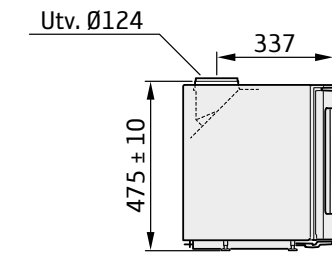
Output	3-9 kW
Nominal output	5 kW
Efficiency from	78 %
Weight	78 kg
Height with legs	535 mm
Width	550 mm
Depth	433 mm
Height	470 mm
Max. log length	35 cm
Connection diameter	125 mm

- Finned grille that covers the opening around the cassette.
- Outdoor air connection kit.
- Short legs
- Chimney connection

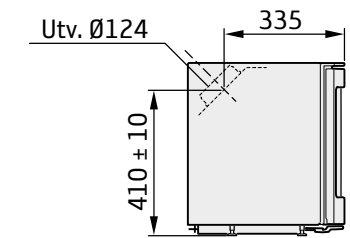
## Contura i5



Flue outlet backwards (option)



Flue outlet upwards (option)



Flue outlet 45° backwards (standard)  
Connection sleeve Ø125 mm

Cast iron leg set (i5L) adds 65mm to the height.

There must be a gap for air to circulate around the insert. More information can be found in the installation instructions.

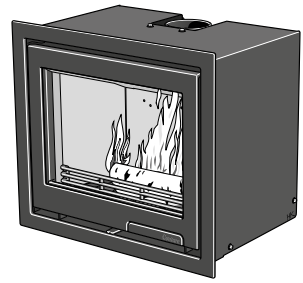




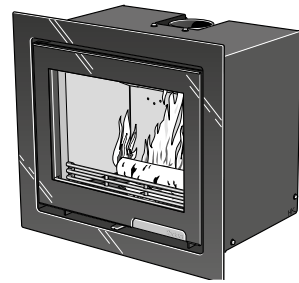
# Build new or build in

Contura i6 is the perfect if you want to design your own fireplace. Choose between a cast iron frame with a recessed cast iron handle or a glass frame with a recessed handle in chrome or black cast iron.

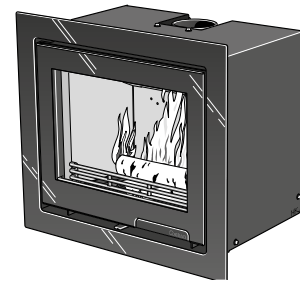
## Contura i6



**Frame and door in cast iron**  
Door is with cast iron frame and a recessed handle of cast iron. The insert frame is cast iron.



**Frame and door in glass, chromed handle.**  
Door is all glass with a recessed handle of cast iron. The insert frame is glass.



**Frame and door in glass, black handle**  
Door is all glass with a recessed handle of black cast iron. The insert frame is glass.

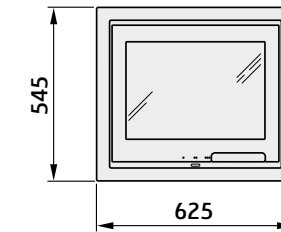
## Technical specifications

Output	3-9 kW
Nominal output	5 kW
Efficiency from	78 %
Weight	92 kg
Width	593 mm
Depth	403 mm
Height	504 mm
Max. log length	35 cm
Connection diameter	125 mm

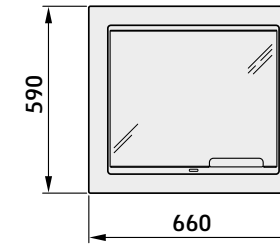
## Accessories

- Outdoor air connection kit.
- Chimney connection for masonry fireplace
- Hot air grate

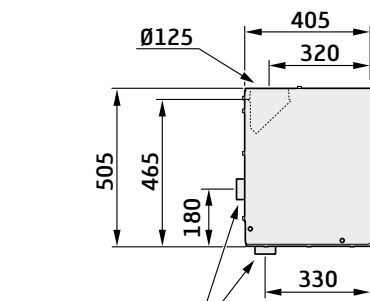
## Contura i6



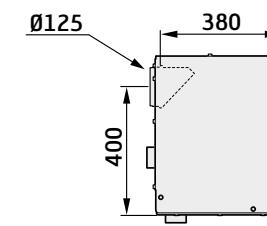
Frame and door in cast iron



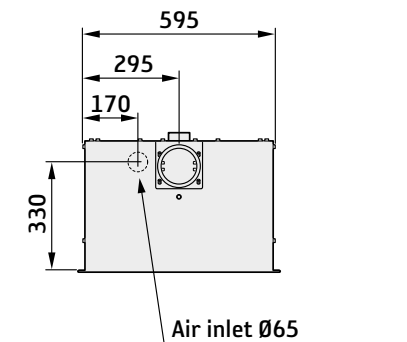
Frame and door in glass



Air inlet Ø65  
Flue outlet upwards



Flue outlet backwards  
Connection sleeve Ø125 mm



Dimensions from above  
Air inlet Ø65

There must be a gap for air to circulate around the insert.  
More information can be found in the installation instructions.





# Inserts

Realise the dream of a crackling fire! With inserts from Contura you have a number of possibilities. You can design your own fireplace, build with our precast concrete modules or install an insert and masonry in one.

Choice is the key word here at Contura. Therefore you often have the option choosing different stone materials, doors with glass or cast iron and different types of handle. You can paint our pre-cast concrete modules any colour you like. Whatever you choose, you get natural heating with modern combustion technology and generous areas of glass showing a lot of the fire. The Clean Burning system keeps the glass clean and the flames visible.

Contura is manufactured with the latest technology, which means that it is very energy efficient. The fireplace is easy to light and reaches full output within a few minutes. All Contura products are thoroughly tested so that you can light with a clear conscience and a great deal of pleasure.



## Build in heating!

A modern fireplace with generous glass gives you the sensations of the fire, at the same time that you use the energy to heat your home.



i11S



## Contura i10 and i20

A Contura insert is a modern open fireplace, a piece of furniture with attitude, a sculpture if you will. It is designed for large rooms and for busy social lives, consisting of clean lines, glass and concrete. New Contura gives you a fireplace that can match both the interior and architecture. You can choose to cement in the insert yourself or use our precast modules to install your fireplace within a few days.

Start with the actual insert (i10 or i20) and then decide how you want the concrete surround to look. Ask your dealer what you need for the functions you want.

i10



## Contura i10

Contura i10 is a model with a broad door. The slides open upwards using the handle at the lower edge.

Output	6 - 12 kW
Efficiency	81 %
Weight	215 kg
Height	1315 mm
Depth	515 mm
Width	785 mm
Wood length	53 cm

## Contura i11C

Generous masonry stove with Contura concrete modules. Paint it any colour you like. Contura masonry stoves can be connected to Premodul chimney systems for those of you who do not have a chimney breast.

Dimensions with concrete surround.

	Height	Width	Depth	Weight
i11C	1620	1050	620	470
i11S	1620	1050	620	450
i11A	1620	1050	620	450
High module	685			100
Log box	465	610	620	135

i11C





# CONTURA i20



i21C

i20



## Contura i20

Contura i20 is the model with the tallest door. The slides open upwards using the handle at the lower edge. There is space for big logs.

Output	6 - 12 kW
Efficiency, up to	81 %
Weight	240 kg
Height	1535 mm
Depth	515 mm
Width	685 mm
Wood length	53 cm

## Contura i21A

For additional style, Contura precast concrete modules can be covered with front panels of aluminium or black painted steel. The panels are available for horizontal and vertical inserts. The chimney can be connected at the rear edge and to the top of the insert.

Dimensions with concrete surround.

	Height	Width	Depth	Weight
i21C	1755	950	620	495
i21S	1755	950	620	480
i21A	1755	950	620	480
High module	550			80
Log box	465	465	620	110

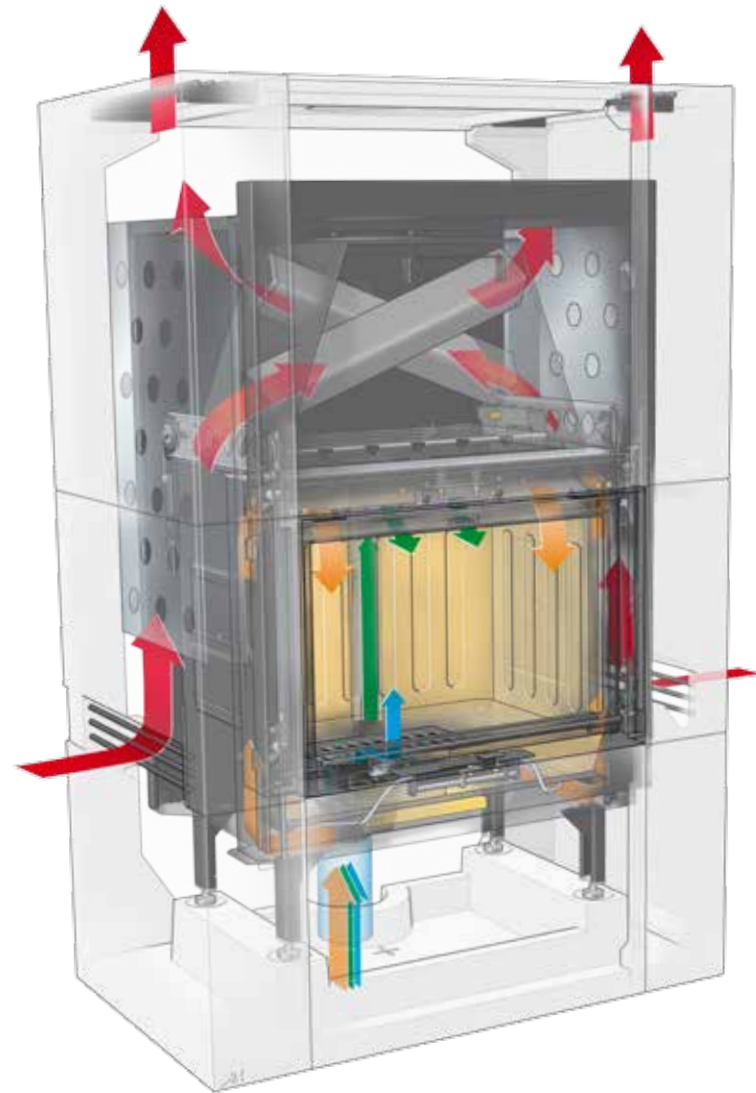
21A





# Good air circulation for efficient combustion

It is important that the fireplace is well designed. At Contura we are as proud of the inside of our inserts and cassettes as we are of the outside.



**EFFICIENT AIR FLOW**  
The room air (red arrows) flows into the stove through the air intakes on the sides. It is heated in ducts above the firebox and flows out again as hot air from the top of the stove.

**SECONDARY AIR**  
The flow of secondary air (yellow arrows) is regulated via the damper depending on the required heating output. Open damper is equivalent to maximum heat.

**PRIMARY AIR**  
The supply of primary air (blue arrows) is constant regardless of the damper position. All air for combustion can also be brought in via an air duct (option).

**CLEAN BURNING SYSTEM**  
The tertiary air (green arrows, Clean Burning) is also controlled by the damper. Clean combustion is achieved thanks to the three flows of air working together.

# Thoughtful features

Contura inserts are characterised by high quality and thoughtful design. If you choose our precast concrete modules, a firewall is included so that you can place the stove against a combustible wall. The modules are supplied unpainted. The practical, matching floor protector is a good idea if you have a floor made of wood or other sensitive material.



**STOVE DOOR**  
The door is opened by pushing it up. The door can be easily folded out at the upper edge to facilitate cleaning the inside of the glass.



**LONG LOGS**  
The insert can hold logs up to 53 centimetres in length. It creates a large, attractive fire that burns for a long time.



**LOG BOX**  
The practical, fitted log boxes can hold plenty of wood or anything else you wish to store.



**FULL COVERAGE GLASS DOOR**  
A glass door further enhances the look of the fireplace. The handle at the lower edge is discreet and matches perfectly. There is a damper under the handle that regulates the air supply to the firebox.



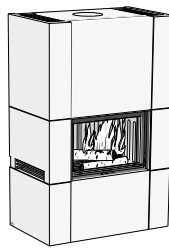
# Contura 11 and 21

With our precast concrete modules and front panels you can design your own fireplace. Of course, you can also cement in your fireplace yourself to give a completely personal impression.

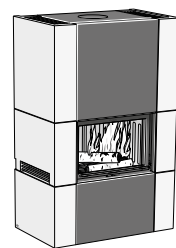
## CONTURA i11 SERIES

Black insert with glass in a widescreen format, concrete surround and front.

Contura i11C  
Concrete front



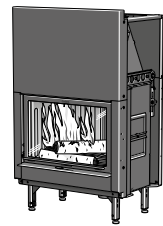
Contura i11S  
Black metal front



Contura i11A  
Aluminium front



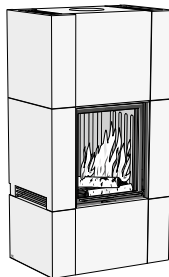
Contura i10  
Only insert



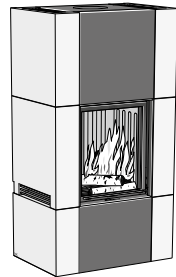
## CONTURA 21 SERIES

Black insert with glass in a widescreen format, concrete surround and front.

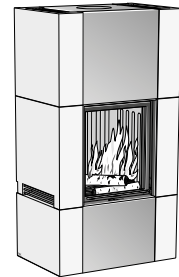
Contura i21C  
Concrete front



Contura i21S  
Black metal front



Contura i21A  
Aluminium front



Contura i20  
Only insert



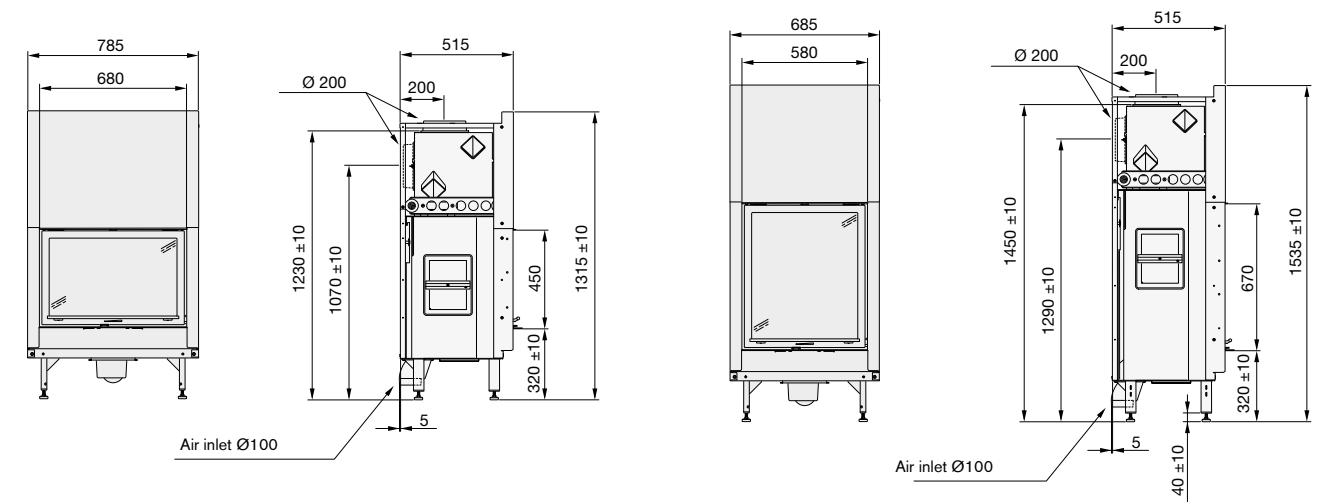
# Dimension diagrams

A fireplace is a centre piece. The best location is, therefore, usually in the middle of a seating area. Preferably close to windows for the added advantage of enjoying the view. The stove's position also depends on where the chimney is located or where it can be installed.

Using the dimensions of the fireplace's various parts and distances to walls, floor and ceiling, you can plan where you want your fireplace more precisely and see where the chimney connection will be.

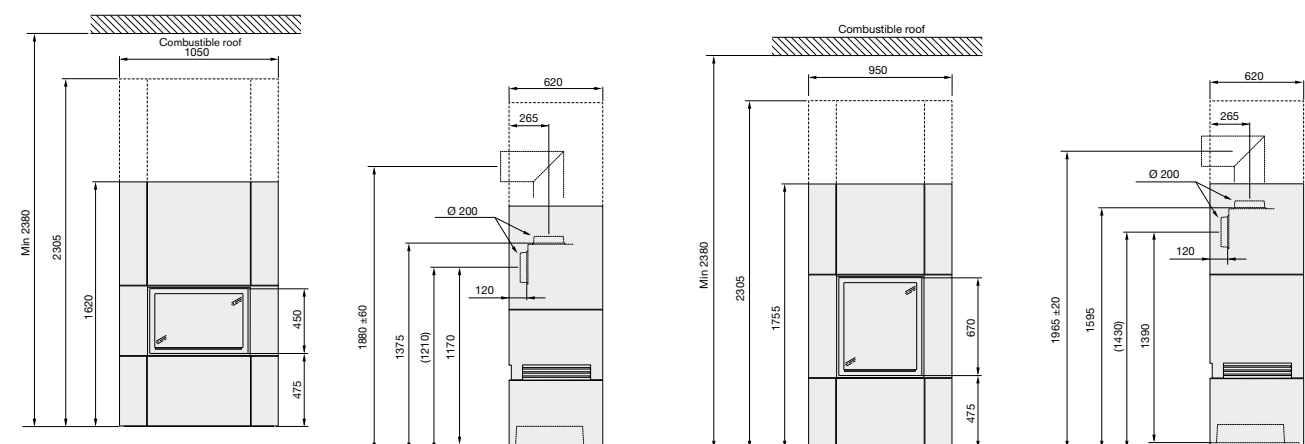
## CONTURA i10

## CONTURA i20



## CONTURA i11

## CONTURA i21





# CONTURA i31A



Fours stones,  
many impressions

i31A



## Contura i31S

Walnut brown sandstone gives an attractive, exclusive style to the home.

	Ci31	Ci31 with shelves/bench
Output	4 - 9 kW	
Efficiency, up to	80 %	
Weight (kg)	400-450	+40, +140
Height (mm)	1650	1750
Depth (mm)	500	580
Width (mm)	910	1110, 1660
Wood length	50	

## Contura i31T

A body clad in natural heat-retaining soapstone gives you added economical heating. The model can also be combined with heat-retaining powerstone.

### Insert

Model	Ci30
Output	4-9 kW
Nominal output	6 kW
Efficiency	< 80 %
Wood length	50 cm
Weight excl. Thermotte	95 kg



i31T



# CONTURA i41T

The angled glass door in Contura i40 gives you even more possibilities to create a fireplace that stands out and lights up. The soapstone surround is naturally heat-retaining.



i41T

i41S



# Contura i41S

Body clad in walnut brown sandstone with angled door. The door can be angled to the left or right. Supplement with heat-retaining powerstone.

	Ci41	Ci41 with shelves/bench
Output	5 - 10 kW	
Efficiency, up to	80 %	
Weight (kg)	400-450	+25, +120
Height (mm)	1650	1750
Depth (mm)	500	580
Width (mm)	910	1110, 1560
Wood length	50	

# Contura i41A

Artstone is a stained white cast stone, unique to Contura. Add extra details such as a shelf and bench in black granite.

## Insert

Model	Ci40
Output	5-10 kW
Nominal output	7 kW
Efficiency	< 80 %
Wood length	50 cm
Weight excl. Thermotte	115 kg



i41A



# CONTURA i51

CONTURA i51

66



CONTURA i51  
 With generous glass areas on three sides and a spacious firebox, Contura i51 is truly an insert for the modern home. The technology beneath the aesthetic hood is specially adapted for houses with modern heating technology that creates negative pressure. Choose black steel for a clean and graphic impression.

i51AN



## Contura i51A

Artstone is a stained white cast stone, unique to Contura. The insert is easy to position in the home: It takes up very little space and can be placed against a combustible wall. Supplement with a black painted steel log box.

## Contura i51AN

Artstone natural is raw concrete polished to a smooth surface with a soft grey hue, for those who like daring elegance. Supplement with a black painted steel log box.

	Ci51	Vedfack
Effekt (kW)	6-10	
Verkningsgrad (%)	78	
Vikt (kg)	230-400	50
Höjd (mm)	1650	500
Djup (mm)	500	500
Bredd (mm)	770	400
Max vedlängd (cm)	50	
Värmemagasin (kg)	100	

i51A





# CONTURA i51T

The natural heat-retaining soapstone makes your i51T unique, because the stone's veining varies. Supplement with powerstone under the cover to retain the heat much, much longer.

CONTURA i51

68



i51T

i51S



# Contura i51S

Sandstone is a natural heat-retaining stone in nut brown nuances with natural variations.

	Ci51	Vedfack
Effekt (kW)	6-10	
Verkningsgrad (%)	78	
Vikt (kg)	230-400	50
Höjd (mm)	1650	500
Djup (mm)	500	500
Bredd (mm)	770	400
Max vedlängd (cm)	50	
Värmemagasin (kg)	100	

# Contura i50

Let your imagination set the limits for your fireplace and build your own surround.

## Insats

Modell	Ci50
Effekt	6-10 kW
Nominell effekt	8 kW
Verkningsgrad	78 %
Höjd	1470 mm
Bredd	765 mm
Djup	485 mm
Vedlängd	50 cm
Vikt	160 kg
Värmemagasin	100 kg



68

69



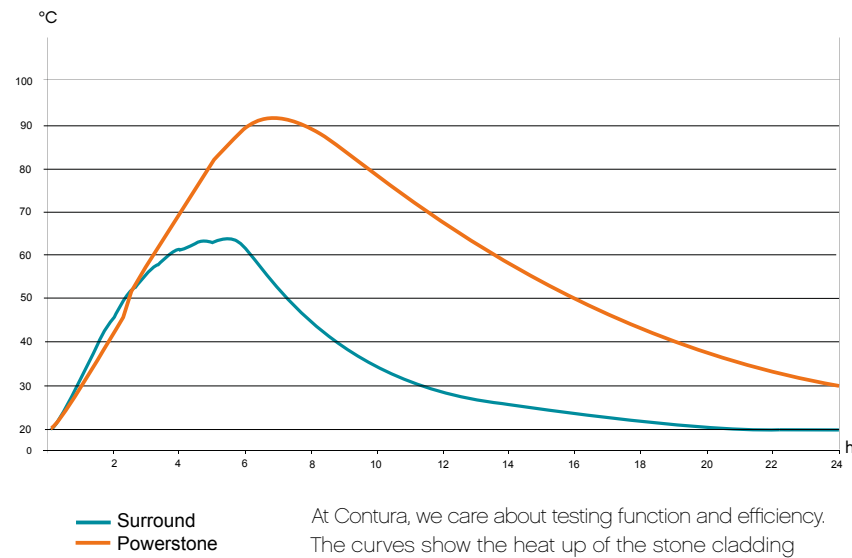


CONTURA i31A  
Artstone

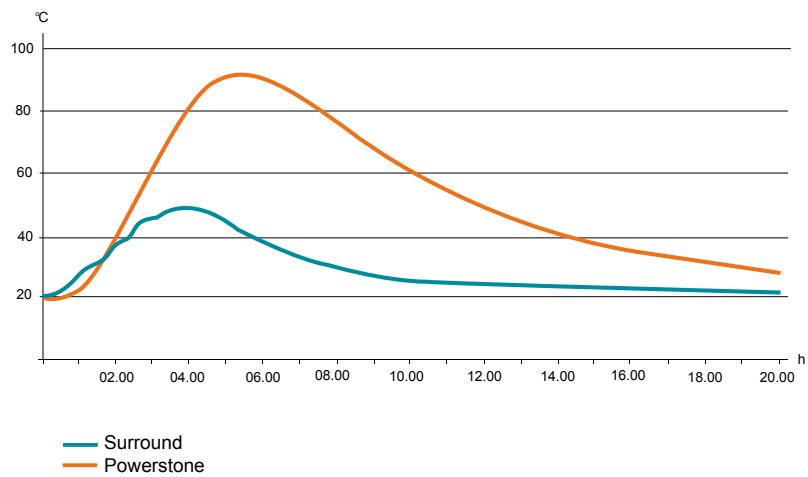
CONTURA i41T  
Soapstone

CONTURA i51  
Sheet metal.

## Temperature curve Contura i31 and i41



## Temperature curve Contura i51



## Accessories Contura i31, i41 and i51

Contura i30 with straight door, i40 with angled door and i50 with glass on three sides are available in several variants, which are easy to position in the home. Select a surround in Contura artstone, soapstone or sandstone. Natural artstone and sheet metal are also available for Contura i51. Contura artstone is a white cast stone. The sandstone is walnut brown, with unique veining in each unit. The heat-retaining soapstone has a natural pattern, no two are alike. Variations in the pattern and colour of the natural stone may occur.

You can choose 200 kg Powerstone for longer heat retention for all i31 and i41 models, and 100 kg Powerstone for i51. All models are delivered with an ergonomic handle that can be easily changed to a discreet handle. The discreet handle is supplied.



### SHELVES OR BENCH

Select parts: shelves or bench in black granite for i31 and i41.



### LONG LOGS

The insert can hold logs up to 50 centimetres in length. It creates a large, attractive fire that burns for a long time.



### STOVE DOOR

Contura i31 has a straight door, i41 has an angled door and i51 has a three sided door, all of them are lifted to be opened and closed.



### HEAT TANK

Choose heat tank: 200 kg powerstone for Ci31/i41 and 100 kg powerstone for Ci51 if you want to retain heat for longer.

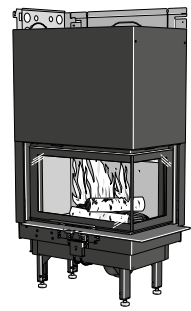


### LOG BOX

A black painted steel log box is available for Contura i51. You determine where and how it should be located. Strong enough to use as a bench or extra surface.



# Contura i31, i41 and i51



Ci30



Ci31A, Artstone, sides in black



Ci31A, Artstone



Ci31A, Artstone, shelves in black granite



Ci31A, Artstone,shelves and bench in black granite



Ci41T, Soapstone



Ci41T, Soapstone, shelf in black granite



Ci41T, Soapstone, bench in black granite

Inserts are available in both right-hand and left-hand versions.



Ci31T, Soapstone



Ci31T, Soapstone, shelves in black granite



Ci31T, Soapstone, shelves and bench in black granite



Ci41S, Sandstone



Ci41S, Sandstone, shelf in black granite



Ci41S, Sandstone, bench in black granite



Ci31S, Sandstone



Ci31S, Sandstone, shelves in black granite



Ci31S, Sandstone, shelves and bench in black granite



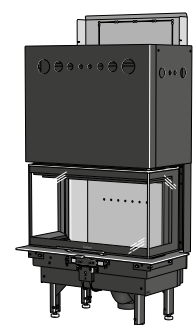
Ci51, Black painted steel



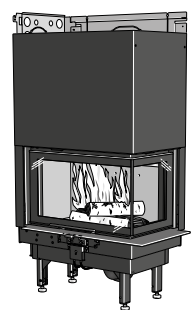
Ci51, White painted steel



Ci51A, White Artstone



Ci50



Ci40



Ci41A, Artstone, sides in black



Ci41A, Artstone



Ci41A, Artstone, shelf in black granite



Ci41A, Artstone, bench in black granite



Ci51AN, Artstone Natural



Ci51T, Soapstone



Ci51S, Sandstone

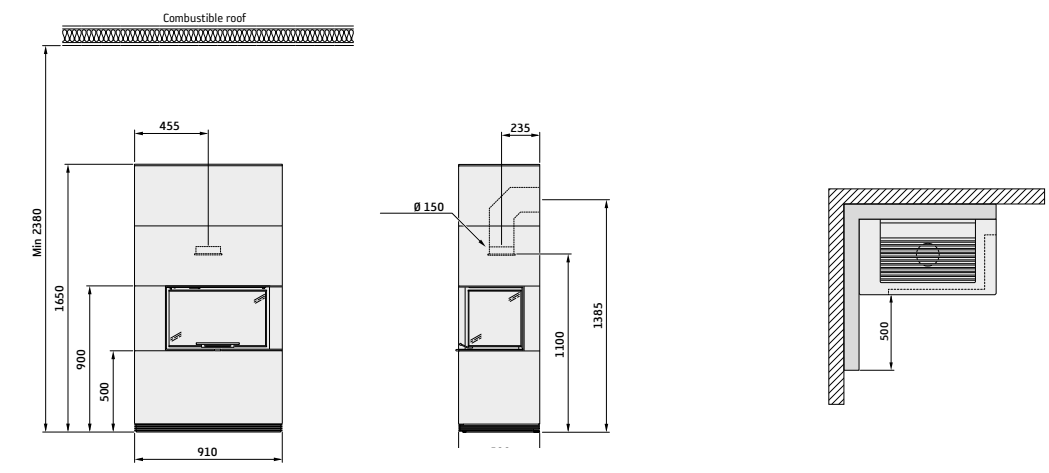


# Dimension diagrams Contura i31, i41 and i51

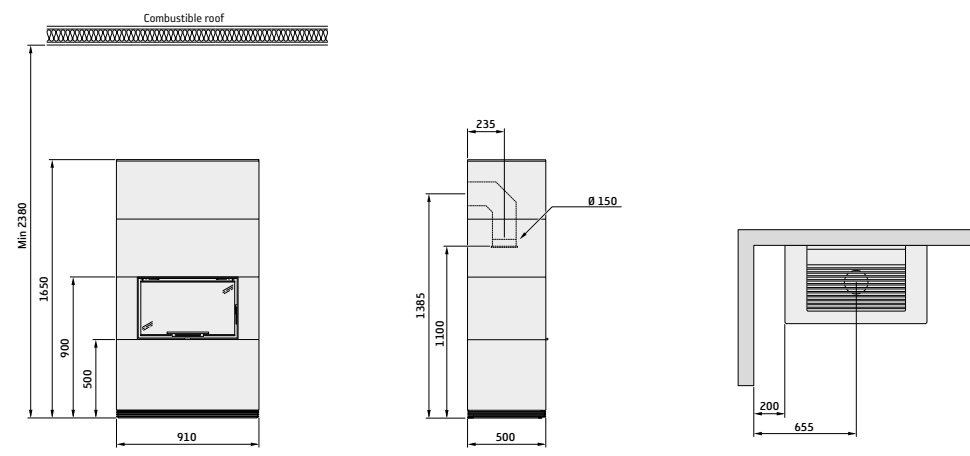
A fireplace is a centre piece. The best location is, therefore, usually in the middle of a seating area. Preferably close to windows for the added advantage of enjoying the view. The stove's position also depends on where the chimney is located or where it can be installed.

Using the dimensions of the fireplace's various parts and distances to walls, floor and ceiling, you can plan where you want your fireplace more precisely and see where the chimney connection will be.

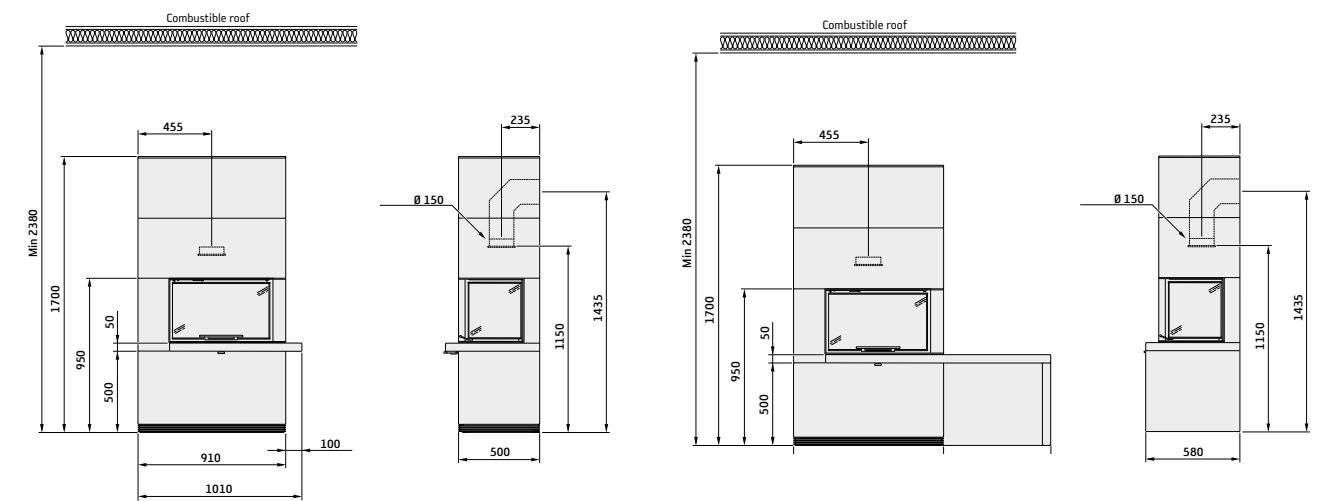
## Contura i41 without shelves and bench



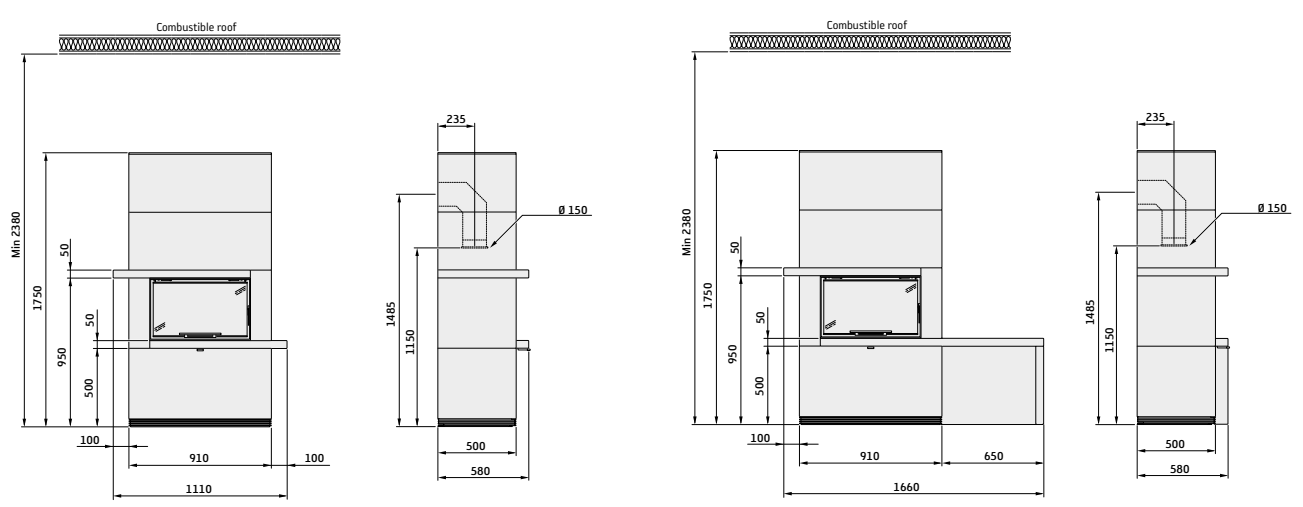
## CONTURA i31 without shelves and bench



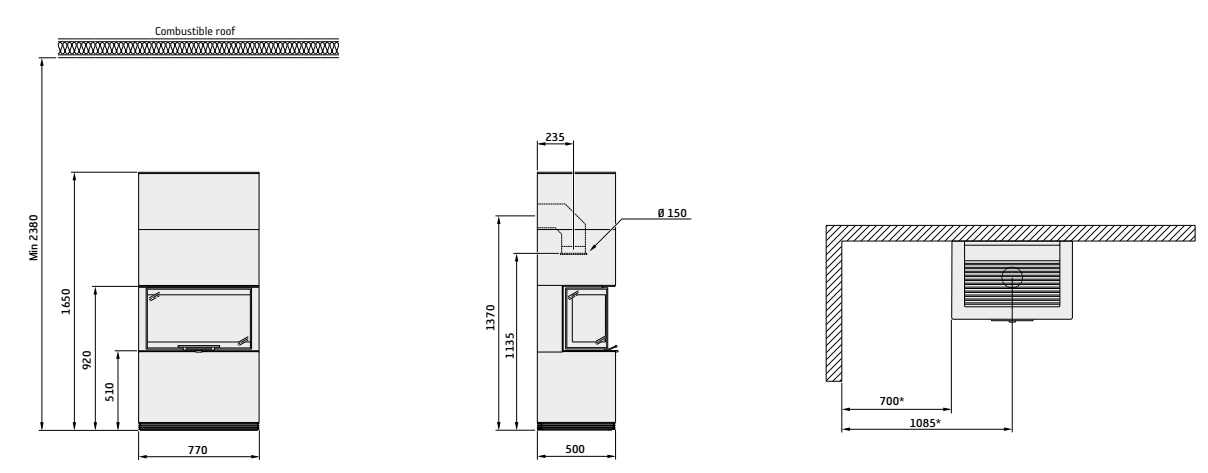
## Contura i41 with shelves Contura i41 with bench



## CONTURA i31 with shelves CONTURA i31 with bench



## CONTURA i51 / i51A / i51AN / i51T / i51S







## Contura is completely Swedish!

The design and development of Contura stoves takes place in Sweden, as does the assembly of all stove parts. The products are quality controlled before leaving the factory in Markaryd. This gives us full control over the quality in all stages of production. We take care to ensure that Contura products are suitable for the modern home and conditions. We are proud to mark our products Made in Sweden?



## A Smålander that heats Europe

Contura stoves and Premodul chimneys are made by NIBE in Markaryd, in Småland. Conserving resources has always been a matter of course in Småland and that is why our manufacturing is modern, lean and efficient. Quality permeates every level of production in our factory, which is the largest and most modern facility for the manufacture of stoves and chimneys in Europe. Our products are sold throughout Europe and are appreciated for their time-less design, efficiency and high quality.

Scan the code with your smartphone and see our complete range



Contura  
NIBE AB  
Box 134  
SE-285 23 Markaryd  
Sweden  
[www.contura.eu](http://www.contura.eu)

Part of **NIBE**