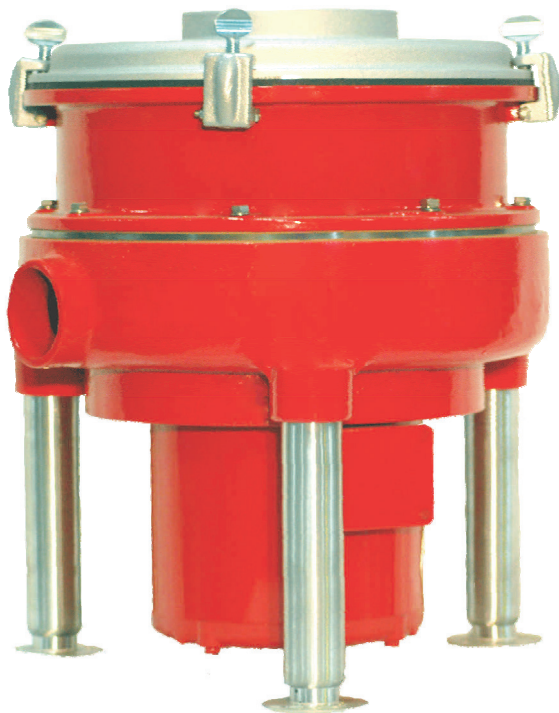


**MODEL "C"**

"C" SERIES - BASIC DISPOSER				
TYPE	Model No.	HP	PH	Throat Size
REGULAR	C10P-R	10	3	7"
OFFSET	C10P-O	10	3	7"



"C" Series  
Regular Design  
7" Throat Size  
(Shown)  
Also available with:  
Offset Design with 7" Throat  
Or  
High Drum

**OPTIONAL FEATURES:**

- For High Drum Option, add **HD** to the end of the disposer model number.
- For Hard Chrome Option (includes 4 impact bars), add **HC** to the end of the disposer model number.
- **ADAPTOR KITS:** Adaptor kits are available to allow installation of Red Goat Disposers to virtually any sink or cone size or configuration. Refer to "**Adaptor Kit Selection Guide**" for specific kit model numbers.

**PRODUCT INFORMATION:**

- **APPLICATION:** Central waste areas of large institutions having large quantities of the tough waste. Ideal for large food processing houses having waste such as raw steer leg knuckle bones, ribs, poultry carcasses, king crabs, lobster shells and vegetable waste. Complies with military specifications, including shipboard use. Can be used with salt water applications (specify HC option).

**DESIGN AND CONSTRUCTION:**

- Waste chamber design permits dual directional operation when used with reversing control or switch, doubling the life cycle of the shattering mechanism.
- Access to waste chamber by means of a cast aluminum lid having a 7" diameter throat opening, removable by means of quick-release head clamps
- Basic body components are cast gray iron, machined, primed and powder coated. 15" Diameter rotor with bolt-on reversible impact bars and sizing ring are cast ductile iron, machined, balanced and heat treated.
- Tight tolerance in the cutting mechanism allows for approximately 1/8" or 3.175mm or less of waste to pass through to sanitary.
- Flexible drain connector. Fastens quickly to either metal or PVC drain line (3" pipe size).
- Stainless steel legs and feet, adjustable from 0" to 2".
- Disposer connects to Cone or Sink Assembly by means of a neoprene isolation sleeve and (2) stainless steel clamps.
- Offset Design: For maximum space utilization, disposer is also available with an 8" offset waste chamber for both Cone and Sink attachments.

**MOTOR:**

- Reversing, continuous duty, 1725 RPM full rated horsepower, double sealed, permanently lubricated ball bearings.
- Thermal overload protection (heaters) in control; must be sized as required.
- Available in 10 HP, 3Ph.
- Dual voltage winding: 208-230/460V, 60Hz

- **CONTROLS: NOTE:** Electrical switches or control centers not included, must be selected as required.

**PLUMBING:**

- (2)10GPM @ 20PSIG, 1/2" NPT
- 3" Drain line with trap
- **Not grease trap compliant**

**ELECTRICAL:**

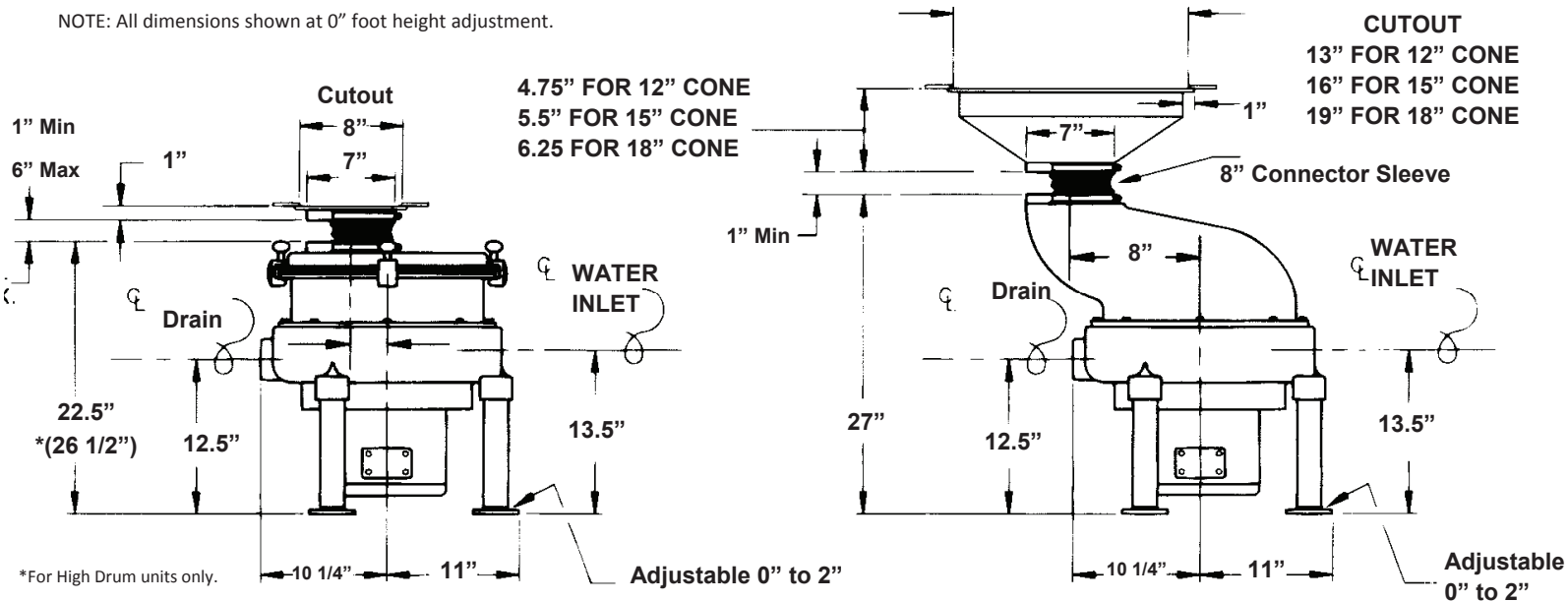
- Please refer to electrical requirements on the last page.

# MODEL "C"



HP	THREE PHASE		THREE PHASE	
	Volts/60Hz	Amps	Volts/50Hz	Amps
5	208	14.5	208	19.4
	230	14		
	460	7.5	415	9.7
7.5	208	23	N/A	N/A
	230	22		
	460	11		
10	208	30	N/A	N/A
	230	28		
	460	14		

NOTE: All dimensions shown at 0" foot height adjustment.



OPTIONAL REMOTE START/STOP SWITCH

TYPICAL CONTROL PANEL INSTALLATION:  
 AUTOMATIC REVERSING, NEMA 4X WITH  
 DISCONNECT SWITCH (MODEL RAC2)

CONE ASSEMBLY WITH WATER INLET VALVE

VACUUM BREAKER

CONNECTOR SLEEVE

\*GLOBE VALVE

3" FLEXIBLE DRAIN CONNECTION

FLOW CONTROL VALVE

SOLENOID VALVE

POWER SUPPLY

\* GATE VALVE

\*TRAP

1/2" COLD WATER SUPPLY

\* These items are not supplied by Red Goat Disposers.



**Anaheim Marketing International**

4332 E. La Palma Avenue  
 Anaheim, California 92807  
 Telephone: 714.993.1707 Fax: 714.993.1930  
 Website: www.AnahemMarketing.com  
 Email: ContactUs@AnaheimMarketing.com



**Joneca Corporation**

4332 E. La Palma Avenue  
 Anaheim, California 92807  
 Telephone: 714.993.5997 Fax: 714.993.2126  
 Website: www.Joneca.com  
 Email: ContactUs@Joneca.com