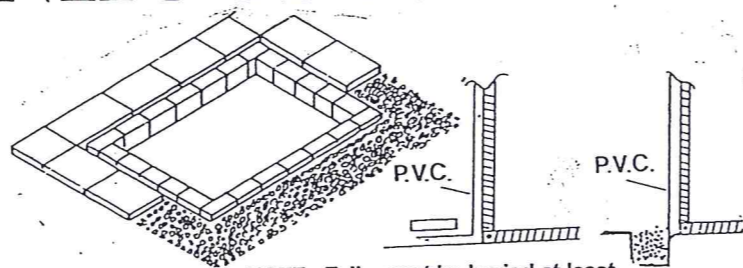


U9) BUDGET GREENHOUSE

WE SUGGEST YOU READ THE INSTRUCTIONS THROUGH CAREFULLY BEFORE COMMENCING.

Select a sheltered spot which is level and prepare as shown right. We illustrate a row of old bricks to site the frame, but timber can be used if preferred. We also show slabs around, this is not essential as the cover tails can be buried firmly in the ground or alternatively both methods can be used.



NOTE: Tails must be buried at least 9" (230mm) deep or paving slabs at least 1 ft sq. (305mm)

1. ASSEMBLE FRONT WITH DOOR FRAME

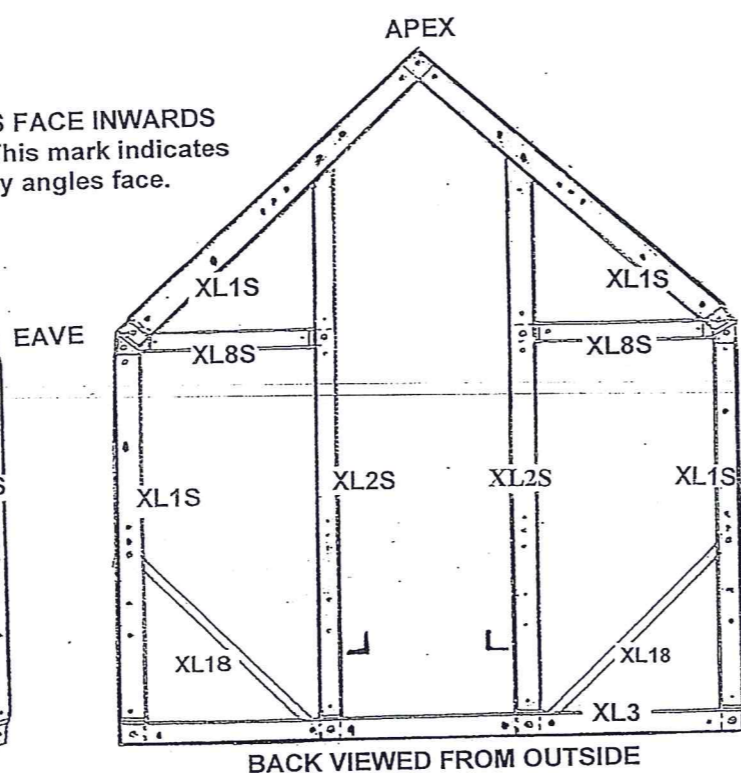
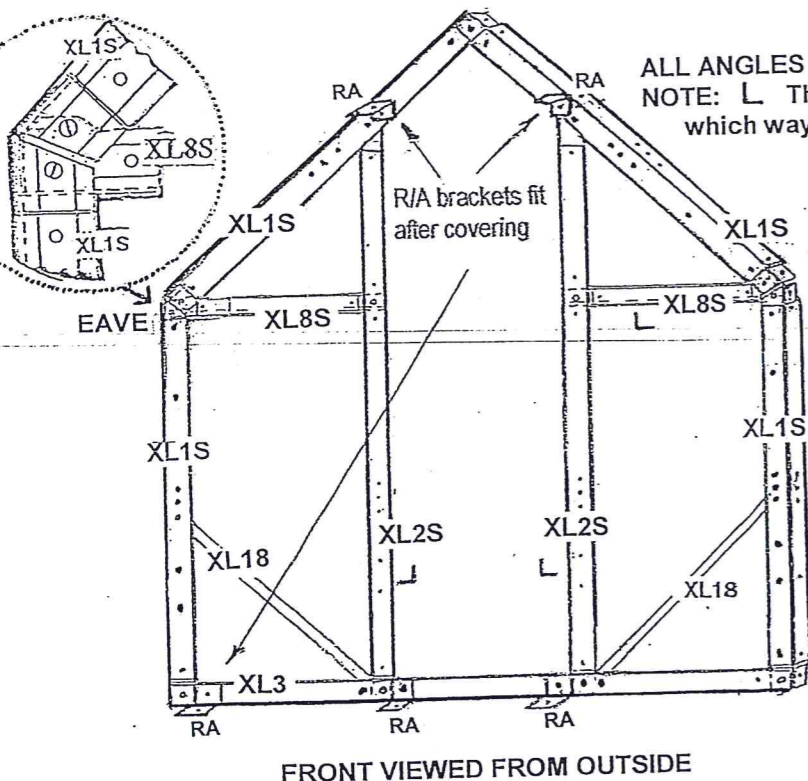
Use:- 4 - XL1S
2 - XL2S
2 - XL8S

Assemble these parts using bolts with hex nuts on inside. Ensure the two XL1S are placed with the pointed end to eave. Place XL8S with the extra hole on one end to the eave corner - this hole is used to attach roof XL1S.

2. ASSEMBLE BACK

Use:- 4 - XL1S
2 - XL2S
2 - XL8S

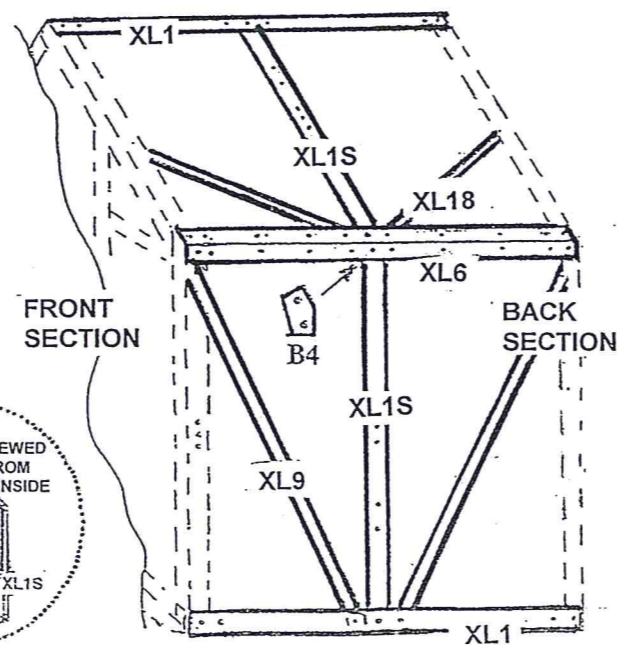
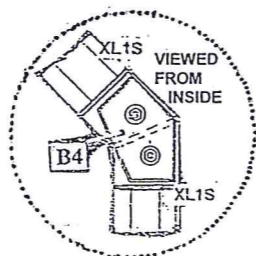
Using bolts with hex nuts on inside assemble in same way as front.



3. ASSEMBLE AND CONNECT FRONT AND BACK

Use:- 4 - XL1S
3 - XL1
2 - XL6

Take front and back framework and bolt together with angles shown. Use one made end and attach base XL1 and XL9 and bolt into place then attach XL6 and bolt to both ends. Repeat for other side. Place side XL1S with pointed end to eave and bolt to XL6. Attach apex XL1 to either end and bolt roof XL1S's, pointed end to eave, to the XL6 and XL1. From inside bolt the B4 brackets onto the XL1S where they join the XL6. Finally tighten all bolts and nuts before covering.

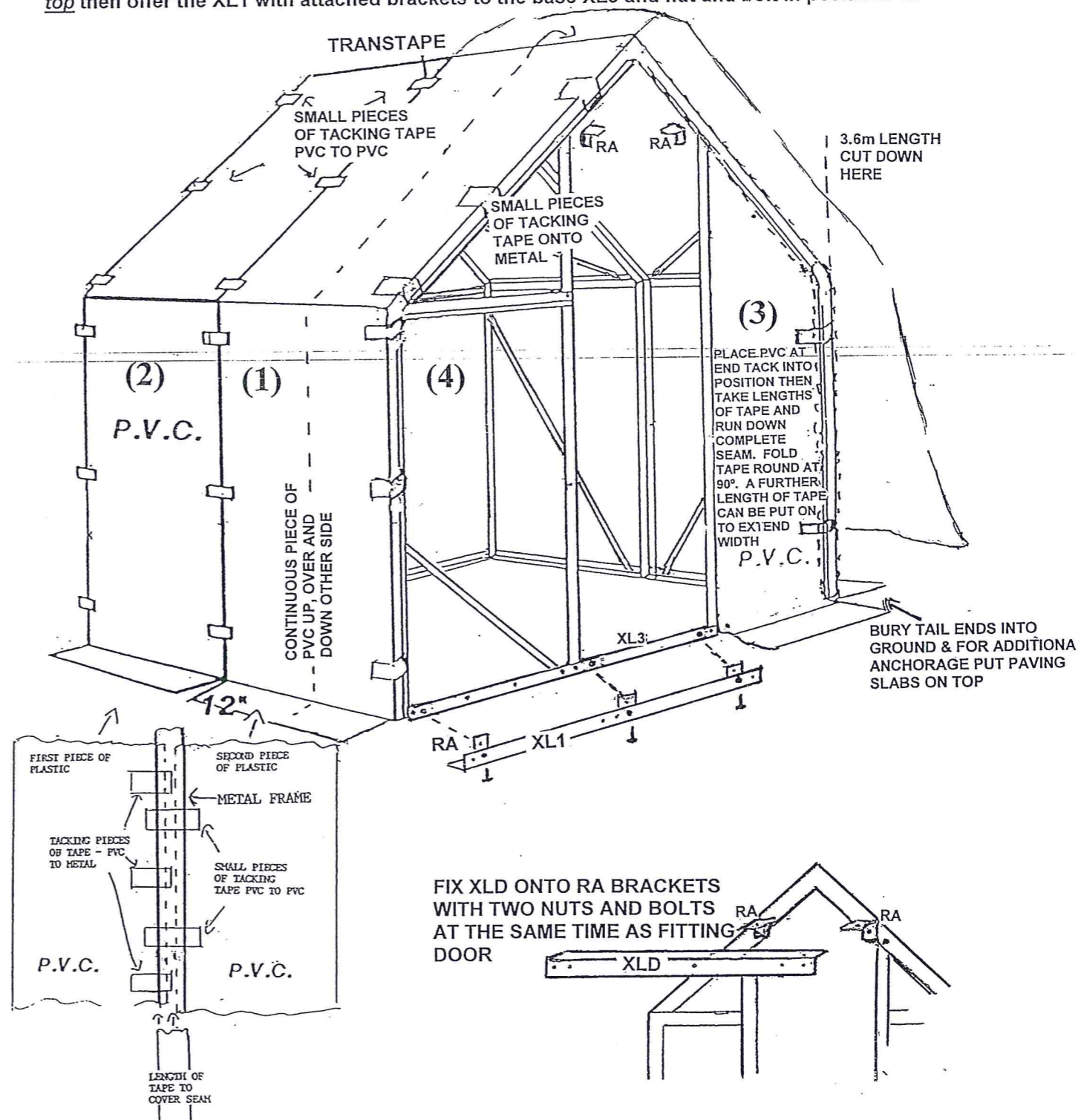


4. COVERING FRAME

Before covering, clean all metal with methylated or white spirit to remove grease prior to applying tape. Start by covering the sides. When placing on first length of PVC (1) take up and over apex, cut piece to right size remembering to leave 12" (31cm) tails each end. Adjust PVC from both sides to meet squarely and pull taut onto frame. It helps at this stage to have some assistance but it can be done using a slab to hold the tail in position on the opposite side. Once in position tack onto frame with small pieces of tape. Any excess PVC can be overlapped at the centre. Repeat, placing the next length in position (2). Cut a length of 3.6m and cover front corner (3) as shown, cutting roof angle to provide the shaped piece for panel (4) and tack into place as per the sides. Cut triangle to fit above door leaving enough length at bottom to seal to the XLD when fitted.

At the back commence with centre section, cutting to shape at roof then tack into place. Cut two shaped side pieces as per front and tack in place at sides and centre. Finally seal all seams with transtape using long lengths where possible to give a neat appearance and to avoid too much overlapping of tape.

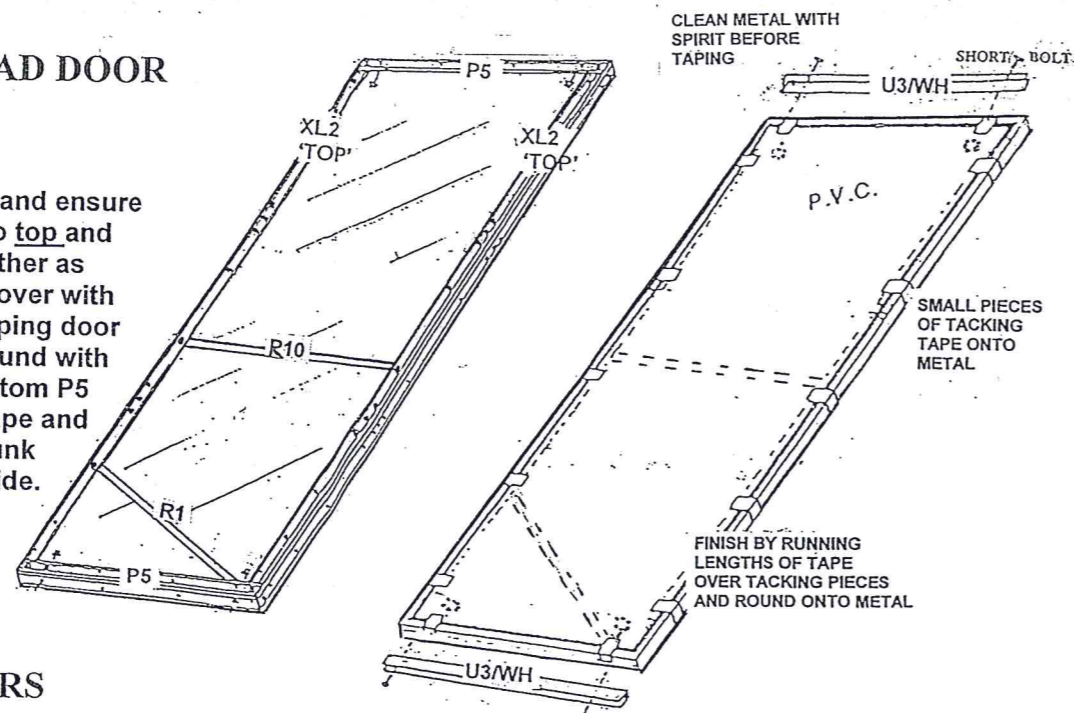
At door end place the two top RA brackets in third hole from top on XL1S, pierce cover and bolt into place. Place the three RA brackets as shown to the XL1 and fix in place using bolts from underneath with nuts on top then offer the XL1 with attached brackets to the base XL3 and nut and bolt in positions shown.



5. MAKE UP AND CLAD DOOR

Use:- 2 - XL2 2 - P5
1 - R10 1 - R1
2 - U3/WH

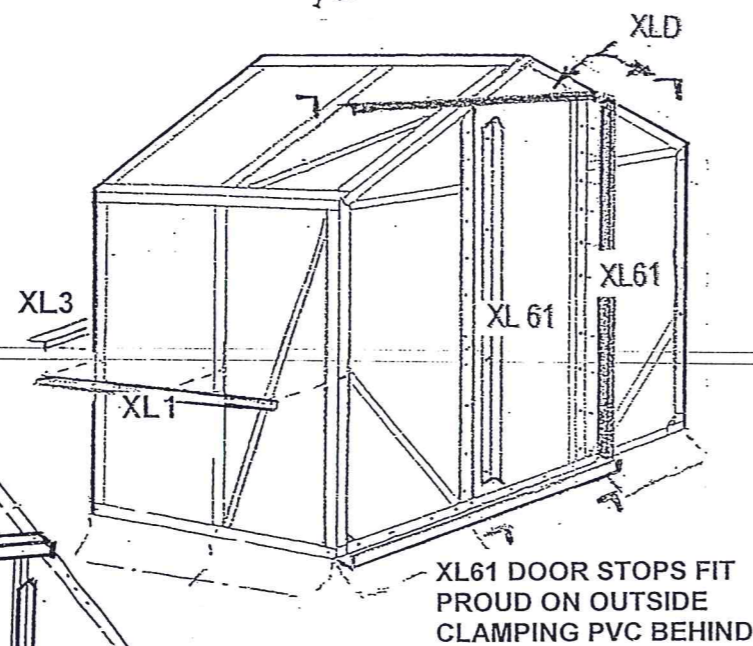
Make up the door using above and ensure the 2 x XL2 have pointed end to top and bolt all the metal sections together as shown, with nuts on inside. Cover with PVC and tack into position keeping door 'in square' before sealing all round with tape. Fix U3/WH to top and bottom P5 locating hole in metal, pierce tape and place small bolt into counter sunk slot with square nut on metal side.



6. FIT CLAMPING BARS AND DOOR STOPS

Place the two XL61 door stops to existing XL2S either side of door aperture noting which way they are placed and fix with long bolts in four places starting with third hole down from top. Offer XLD to the existing RA brackets above door to adjust space and loosely nut and bolt in two places (the XLD will need to be removed to aid covering.)

Place clamping bar XL1 at side of structure and nut and bolt in three places. Repeat for other side. Fit XL3 clamping bar at back in same manner fixing in four places.



7. FITTING DOOR

Fit door by standing door runner U3/WH onto top edge of bottom XL1 and under the base edge of XL61 door stop. Stand door up into place putting edge of XLD into groove of U3/WH runner then bolt XLD onto the two RA brackets. Push door along to opposite XL61 door stop. Tape bottom edge of PVC triangle to underside of XLD.

8. FIXING DOWN

Once the covering is complete anchor the greenhouse using the method suggested. Tails should be buried at least 9" (230mm) deep or paving slabs at least 1ft sq. (305mm).

NORFOLK GREENHOUSES LTD (U9) BUDGET

BEFORE construction check ALL boxes against parts list and study the instructions to make yourself conversant with them.

When employing others to construct your Greenhouse check the contents of ALL boxes BEFORE they commence.

PARTS LIST

ALL LENGTHS/SIZES ARE APPROX.

XL1	90 ANGLE 1178mm	6
XL1S	90 ANGLE 1178mm indented ends	12
XL2	90 ANGLE 1704mm indented ends (pointed end top)	2
XL2S	90 ANGLE 1704mm indented ends (pointed end top)	4
XL3	90 ANGLE 1758mm	3
XL6	135 ANGLE 1178mm	2
XL8S	90 ANGLE 598mm indented ends (extra hole at one end use at eaves)	4
XL9	CHANNEL 1266mm (not stamped)	4
XL18	CHANNEL 785mm " "	8
XL61	90 ANGLE 1698mm	2
XLD	90 ANGLE 1178mm	1
P5	90 ANGLE 568mm	2
R1	CHANNEL 663mm (not stamped)	1
R10	CHANNEL 559mm " "	1
U3/WH	PLASTIC DOOR RUNNER 568mm	2
PVC ROLLS	12m x 620mm	2
TRANSTAPE		2
PREPACK		

Most angles are marked with part number. However, it is not possible to print ALL parts but they can easily be identified by measuring.

CAUTION Some metal may have sharp edges until assembly is completed.

To safeguard your own interests you are advised to CHECK the contents of the kit thoroughly BEFORE ASSEMBLY. Claims against the manufacturer will become invalid after the start of assembly. If you are not happy with your purchase Write or Fax Customer Services within 10 days of receipt of goods requesting a pre paid label. Refunds will not be made unless goods are returned UNUSED/UNDAMAGED and COMPLETE. Any missing or damaged parts will be charged for. Under no circumstances return goods without contacting Customer Services in writing. This does not affect your statutory rights.

In the unlikely event of a missing part, it is essential that you quote the hand written "PACKING REFERENCE NUMBER" found on the end of each box and contact Norfolk Greenhouses Ltd, Chiswick Avenue, Mildenhall, Suffolk IP28 7AZ or Fax 01638 714715

Our policy is of continuous improvement & we reserve the right to change the specification without prior notice therefore the LATEST MODEL IS SUPPLIED

GENERAL NOTES:

All trim & glazing are fitted to the external side of framework.

All framework is assembled with nuts on inside except where stated.

Protective film is fitted on both side of all SAN panels and should be removed.

Never leave your Greenhouse partially assembled on a windy day.

We suggest you add the Greenhouse to your household insurance.

15/02/06