

# Liebherr 736 LGP Specifications



## Engine

<b>Liebherr Diesel engine</b>	D 934 A7 Emission regulations according to 97/68/EC, 2004/26/EC Stage IV, EPA/CARB Tier 4f
<b>Rated power (net)</b>	
ISO 9249	150 kW/204 HP
SAE J1349	150 kW/201 HP
<b>Maximum power (net)</b>	
ISO 9249	175 kW/238 HP
SAE J1349	175 kW/235 HP
<b>Rated speed</b>	1,800 rpm
<b>Displacement</b>	7.0 l/427 in <sup>3</sup>
<b>Design</b>	4 cylinder in-line engine, water-cooled, turbocharged, air-to-air intercooler
<b>Injection system</b>	Direct fuel injection, Common Rail, electronic control
<b>Lubrication</b>	Pressurised lube system, engine lubrication guaranteed for inclinations up to 45°, on all sides
<b>Operating voltage</b>	24 V
<b>Alternator</b>	140 A
<b>Starter</b>	7.8 kW/11 HP
<b>Batteries</b>	2 x 180 Ah/12 V
<b>Air cleaner</b>	Dry-type air cleaner with pre-cleaner, main and safety elements, control light in the operator's cab
<b>Cooling system</b>	Combi radiator, comprising radiators for water, hydraulic fluid, charge air. Hydrostatic fan drive.



## Hydraulics

<b>Hydraulic system</b>	Load sensing (demand-controlled)
<b>Pump type</b>	Swash plate piston pump
<b>Pump flow max.</b>	207 l/min./54.6 gpm/45.5 Imp.gpm
<b>Pressure limitation</b>	260 bar/3,770 psi (6-way blade) 200 bar/2,900 psi (Straight blade)
<b>Control valve</b>	2 segments, expandable to 4
<b>Filter system</b>	Return filter with magnetic rod in the hydraulic tank
<b>Control</b>	Single joystick for all blade functions



## Undercarriage

	XL	LGP
<b>Design</b>	Undercarriage with rigid bottom rollers	
<b>Mounting</b>	Via separate pivot shafts and equalizer bar	
<b>Track chains</b>	Lubricated, single-grouser shoes, tensioning via a steel spring and grease tensioner	
<b>Links, each side</b>	45	45
<b>Track rollers, each side</b>	7	7
<b>Carrier rollers, each side</b>	2	2
<b>Sprocket segments, each side</b>	6	6
<b>Track shoes, standard</b>	610 mm/24"	711 mm/28" 812 mm/32"
<b>Track shoes, optional</b>	560 mm/22"	914 mm/36" 965 mm/38"



## Sound Levels

<b>Operator sound exposure</b>	
<b>ISO 6396</b>	
L <sub>pA</sub> (in the cab)	75 dB(A)
<b>Exterior sound pressure</b>	
<b>2000/14/EC</b>	
L <sub>WA</sub> (to the environment)	111 dB(A)



## Travel Drive, Control

<b>Transmission system</b>	Infinitely variable hydrostatic travel drive, independent drive for each track
<b>Travel speed*</b>	Continuously variable
Speed range 1 (reverse):	0 – 4.0 km/h/2.5 mph (4.5 km/h/2.8 mph)
Speed range 2 (reverse):	0 – 6.0 km/h/3.7 mph (8.0 km/h/4.9 mph)
Speed range 3 (reverse):	0 – 11.0 km/h/6.8 mph (11.0 km/h/6.8 mph)
	* Travel speed ranges can be set on the travel joystick (memory function)
<b>Electronic control</b>	The electronic system automatically adjusts travel speed and drawbar pull to match changing load conditions
<b>Steering</b>	Hydrostatic
<b>Service brake</b>	Hydrostatic (self-locking), wear-free
<b>Parking brake</b>	Multi-disk brake, wear-free, automatically applied with neutral joystick position
<b>Cooling system</b>	Hydraulic oil cooler integrated in combi radiator, hydrostatic fan drive
<b>Filter system</b>	Micro cartridge filters in replenishing circuit
<b>Final drive</b>	Combination spur gear with planetary gear, double-sealed (duo cone seals) with temperature control
<b>Control</b>	Single joystick for all travel and steering functions. Optional: detented joystick, with inching pedal



## Operator's Cab

<b>Cab</b>	Resiliently mounted cab with positive pressure ventilation, can be tilted with hand pump 40° to the rear. With integrated ROPS Rollover Protective Structure (EN ISO 3471) and FOPS Falling Objects Protective Structure (EN ISO 3449)
<b>Operator's seat</b>	Air-suspended comfort seat, fully adjustable
<b>Monitoring</b>	Touch screen: display of current machine information, automatic monitoring of operating conditions. Individual setting of machine parameters



## Refill Capacities

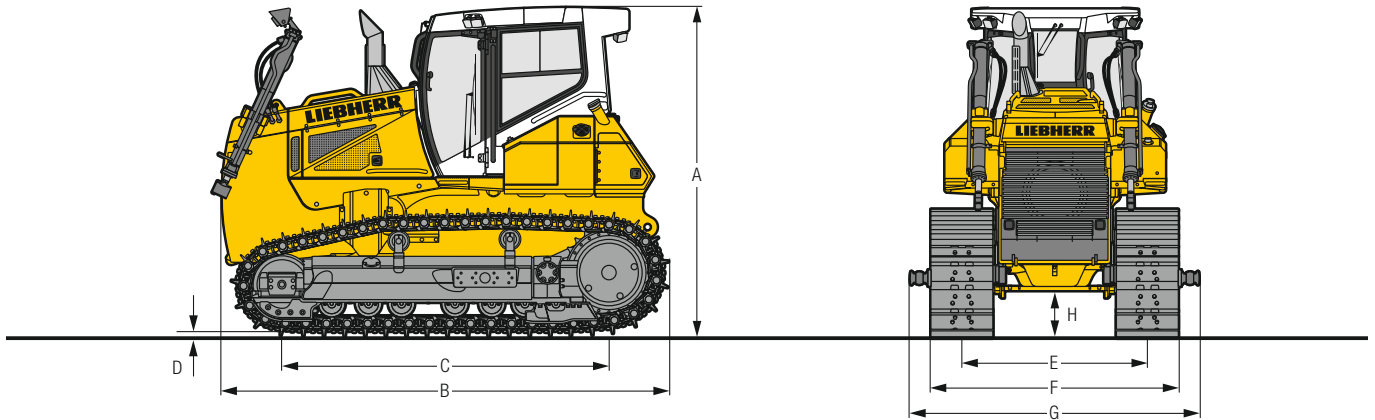
<b>Fuel tank</b>	430 l/113.5 gal/94.6 Imp.gal
<b>Diesel Exhaust Fluid (DEF) tank</b>	50 l/13.2 gal/11 Imp.gal
<b>Cooling system</b>	41 l/10.8 gal/9 Imp.gal
<b>Engine oil, with filter</b>	29 l/7.7 gal/6.4 Imp.gal
<b>Splitter box</b>	5.5 l/1.5 gal/1.2 Imp.gal
<b>Hydraulic tank</b>	111 l/29.3 gal/24.4 Imp.gal
<b>Final drive XL (outside push frame), each side</b>	15 l/4 gal/3.3 Imp.gal
<b>Final drive XL (inside push frame), each side</b>	22 l/5.8 gal/4.8 Imp.gal
<b>Final drive LGP, each side</b>	26.5 l/7 gal/5.8 Imp.gal



## Drawbar Pull

<b>Max.</b>	312 kN
<b>at 1.5 km/h/0.9 mph</b>	275 kN
<b>at 3.0 km/h/1.9 mph</b>	154 kN
<b>at 6.0 km/h/3.7 mph</b>	77 kN
<b>at 9.0 km/h/5.6 mph</b>	51 kN

# Liebherr 736 LGP Dimensions



## Dimensions

Push frame			inside		outside		inside		outside	
Undercarriage			XL		XL		LGP		LGP	
<b>A</b>	<b>Height over cab</b>	mm		3,248				3,248		3,248
		ft in		10'8"				10'8"		10'8"
<b>B</b>	<b>Overall length without attachments</b>	mm		4,428				4,428		4,428
		ft in		14'6"				14'6"		14'6"
<b>C</b>	<b>Length of track on ground</b>	mm		3,237				3,237		3,237
		ft in		10'7"				10'7"		10'7"
<b>D</b>	<b>Height of grousers</b>	mm		65				65		65
		ft in		2.5"				2.5"		2.5"
<b>H</b>	<b>Ground clearance</b>	mm		511				511		511
		ft in		1'8"				1'8"		1'8"
<b>E</b>	<b>Track gauge</b>	mm	2,180		1,830		2,290		2,180	
		ft in	7'2"		6'0"		7'6"		7'2"	
<b>G</b>	<b>Width over trunnions</b>	mm	–		2,724		–		3,474	
		ft in	–		8'11"		–		11'5"	
<b>F</b>	<b>Track shoes 560 mm / 22"</b>									
	Width over tracks	mm / ft in		2,740 / 9'		2,390 / 7'10"		–		–
	Tractor shipping weight <sup>1)</sup>	kg / lb		18,196 / 40,115		18,271 / 40,281		–		–
<b>F</b>	<b>Track shoes 610 mm / 24"</b>									
	Width over tracks	mm / ft in		2,790 / 7'10"		2,440 / 8'0"		–		–
	Tractor shipping weight <sup>1)</sup>	kg / lb		18,335 / 40,422		18,410 / 40,587		–		–
<b>F</b>	<b>Track shoes 711 mm / 28"</b>									
	Width over tracks	mm / ft in		–		–		3,000 / 9'10"		–
	Tractor shipping weight <sup>1)</sup>	kg / lb		–		–		18,634 / 41,081		–
<b>F</b>	<b>Track shoes 812 mm / 32"</b>									
	Width over tracks	mm / ft in		–		–		3,102 / 10'2"		2,992 / 9'10"
	Tractor shipping weight <sup>1)</sup>	kg / lb		–		–		18,913 / 41,696		19,156 / 42,232
<b>F</b>	<b>Track shoes 914 mm / 36"</b>									
	Width over tracks	mm / ft in		–		–		–		3,094 / 10'2"
	Tractor shipping weight <sup>1)</sup>	kg / lb		–		–		–		19,452 / 42,884
<b>F</b>	<b>Track shoes 965 mm / 38"</b>									
	Width over tracks	mm / ft in		–		–		–		3,145 / 10'4"
	Tractor shipping weight <sup>1)</sup>	kg / lb		–		–		–		19,604 / 43,219

<sup>1)</sup> Including coolant and lubricants, 20% fuel, ROPS/FOPS cab.