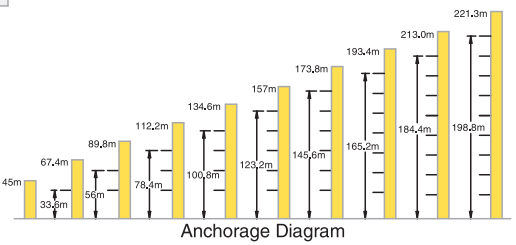


# TC 6544 Tower Crane 8 t

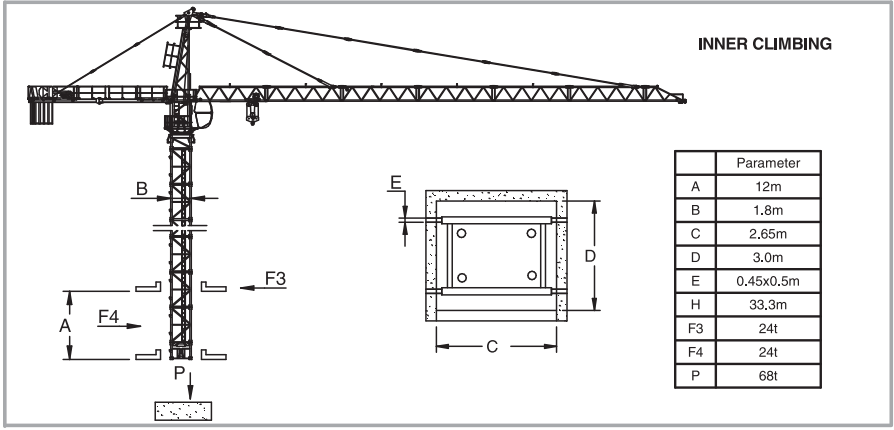
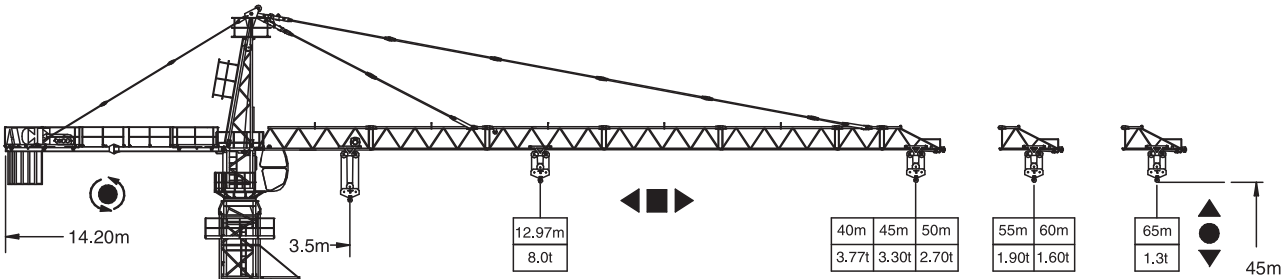
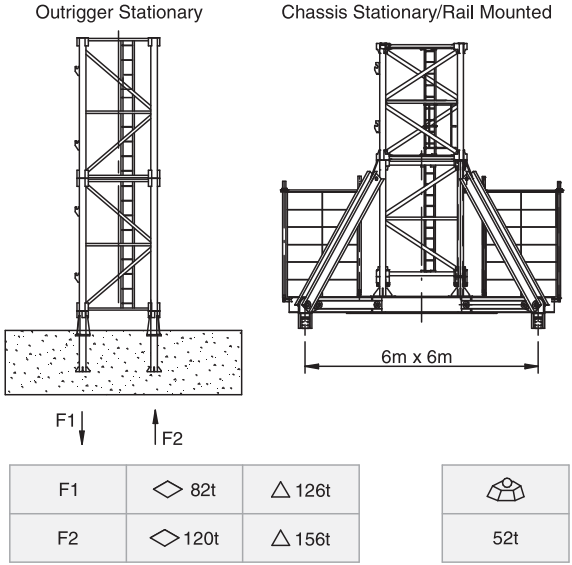
## Load Capacity

Jib Length 65m	Radius (m)	3,5 - 12,97	16,44	18	20	24	25	28	30	32	35	38	40	42	45	48	50	52	55	58	60	62	65
	Hoisting Load (t)	8.00	6.00	5.36	4.71	3.74	3.54	3.05	2.78	2.55	2.25	2.00	1.85	1.71	1.54	1.38	1.29	1.21	1.09	0.99	0.93	0.87	0.79
		4.00																					
Jib Length 60m	Radius (m)	3,5 - 14,03	17,75	18	20	24	25	28	30	32	35	38	40	42	45	48	50	52	55	58	60		
	Hoisting Load (t)	8.00	6.00	5.92	5.21	4.15	3.94	3.40	3.11	2.85	2.52	2.25	2.09	1.94	1.75	1.59	1.49	1.39	1.27	1.16	1.09		
		4.00																					
Jib Length 55m	Radius (m)	3,5 - 14,75	18,75	20	24	25	28	30	32	35	38	40	42	45	48	50	52	55					
	Hoisting Load (t)	8.00	6.00	5.55	4.43	4.21	3.64	3.33	3.06	2.71	2.42	2.25	2.10	1.90	1.72	1.62	1.52	1.39					
		4.00																					
Jib Length 50m	Radius (m)	3,5 - 17,90	22,81	24	25	28	30	32	35	38	40	42	45	48	50								
	Hoisting Load (t)	8.00	6.00	5.64	5.37	4.68	4.30	3.96	3.53	3.18	2.97	2.78	2.53	2.32	2.19								
		4.00																					
Jib Length 45m	Radius (m)	3,5 - 19,1	24,43	28	30	32	35	38	40	42	45												
	Hoisting Load (t)	8.00	6.00	5.09	4.68	4.32	3.87	3.48	3.26	3.06	2.79												
		4.00																					
Jib Length 40m	Radius (m)	3,5 - 19,1	24,43	28	30	32	35	38	40														
	Hoisting Load (t)	8.00	6.00	5.09	4.68	4.32	3.87	3.48	3.26														
		4.00																					



## Specifications

Hoisting	No of Falls		
	Speed (m/min)	0 ~ 40	0 ~ 80
	Hoisting Load (t)	4.0	2.0
	Power (kw)	30	30
Stewing	Speed (rpm)	0 ~ 0.6	
	Power (kw)	2 x 5.5	
Trolley	Speed (m/min)	56	28
	Power (kw)	5.5	
Climbing	Speed (m/min)	0.56	
	Power (kw)	7.5	
Main Supply	415V / 50Hz		
Electric Power	46.5kW (58.1kVA)		
Variant Model	6 Ton Max. Capacity Mechanism at 16.44 M		



F Reaction ◇ In Service △ Out of Service Dead weight without load and counter weights but with longest jib and free standing height.