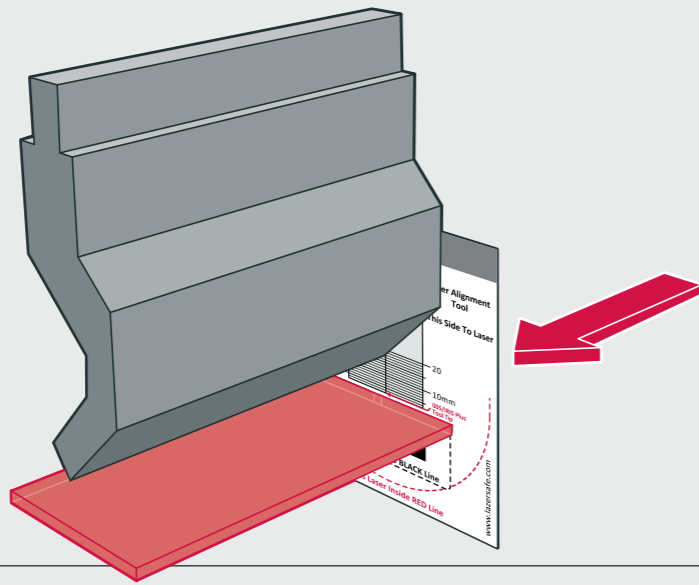
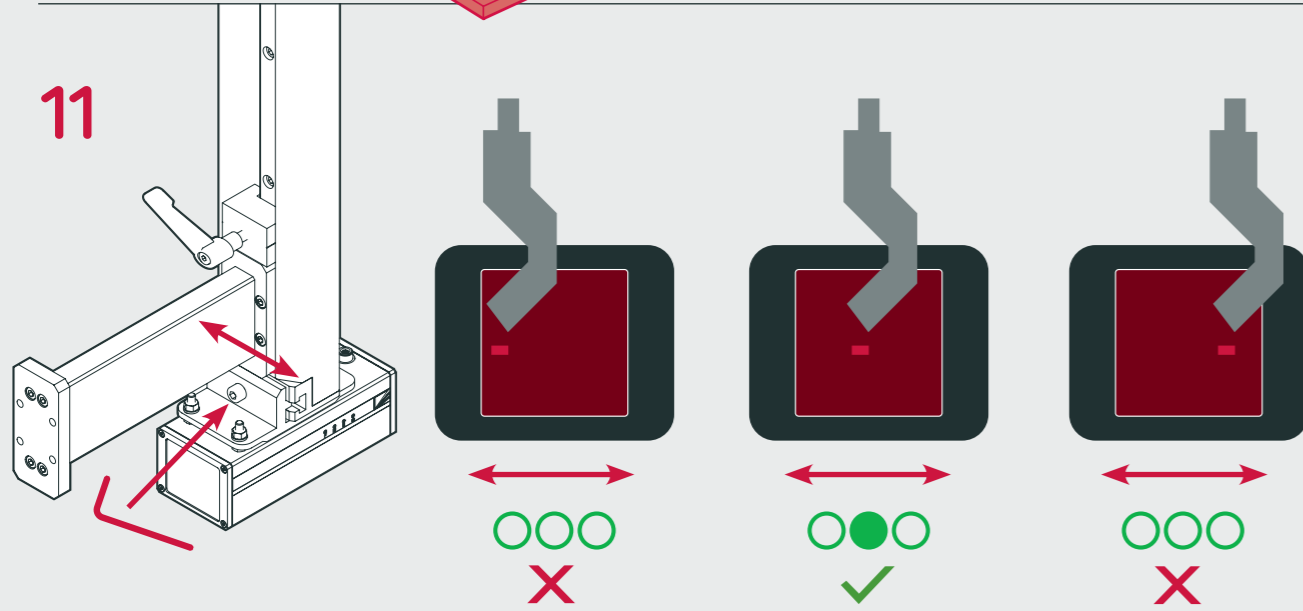


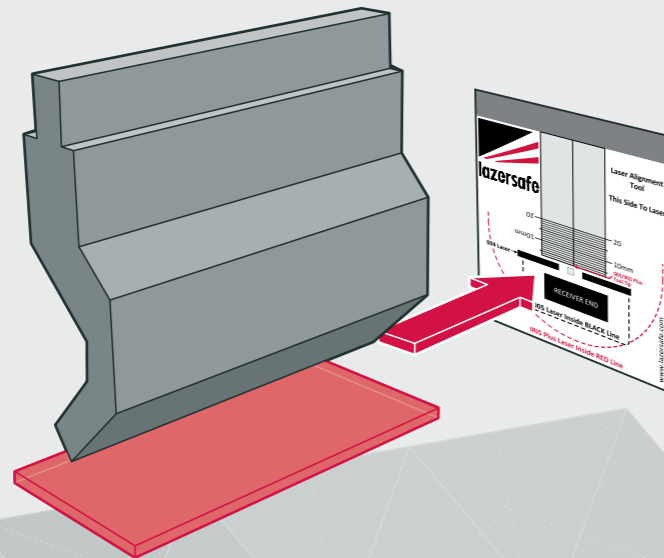
10



11



12

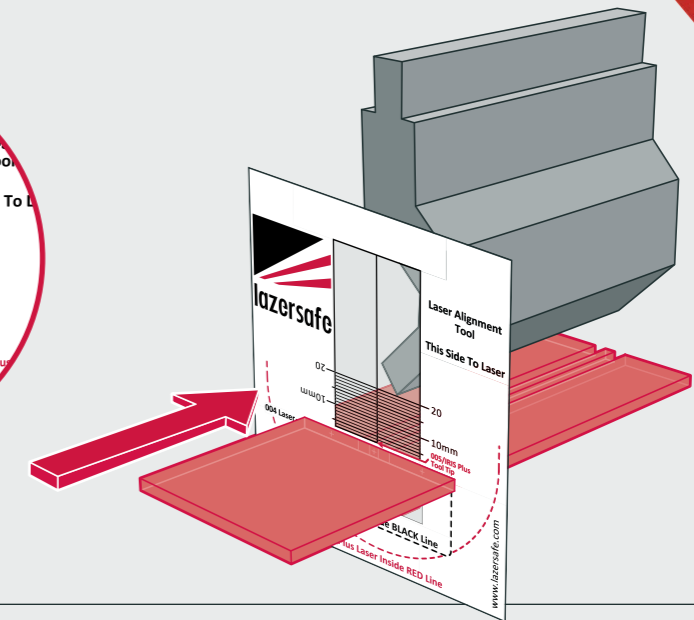
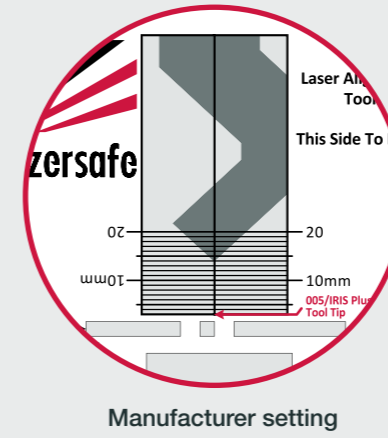


# Planar Laser Alignment Guide

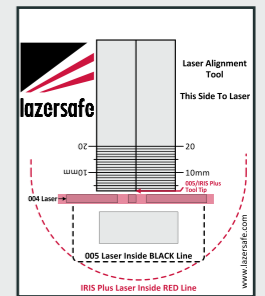
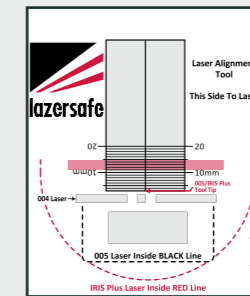
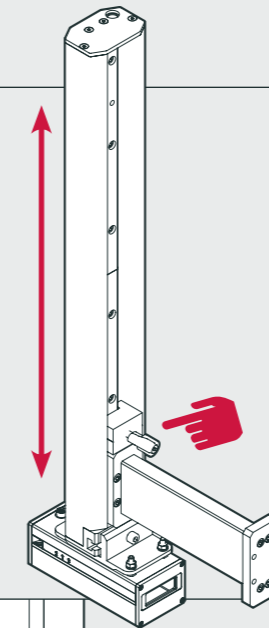
LS-CS-M-017 REV 2.1

FOR USE WITH  
LZS-004,  
LZS-004-HS,  
LZS-LG,  
LZS-LG-HS  
& LGD-0

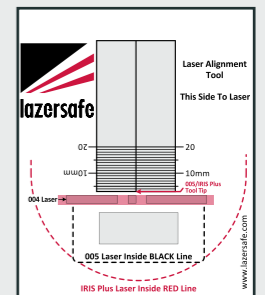
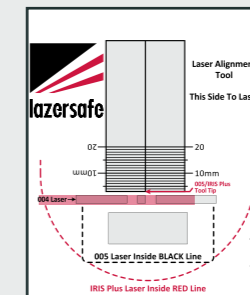
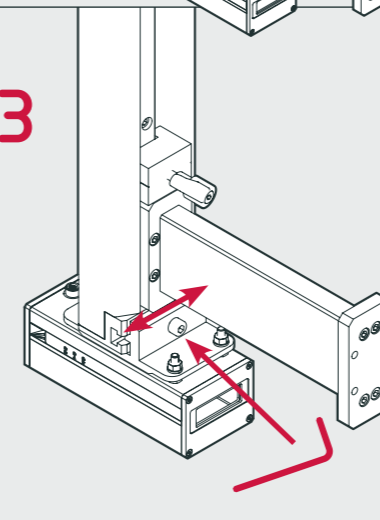
01



02



03



Performance without compromise.™

27 Action Road, Malaga WA 6090, Australia

PO Box 2368, Malaga WA 6944, Australia

+61 8 9249 4388

+61 8 9249 6011

info@lazersafe.com

lazersafe.com

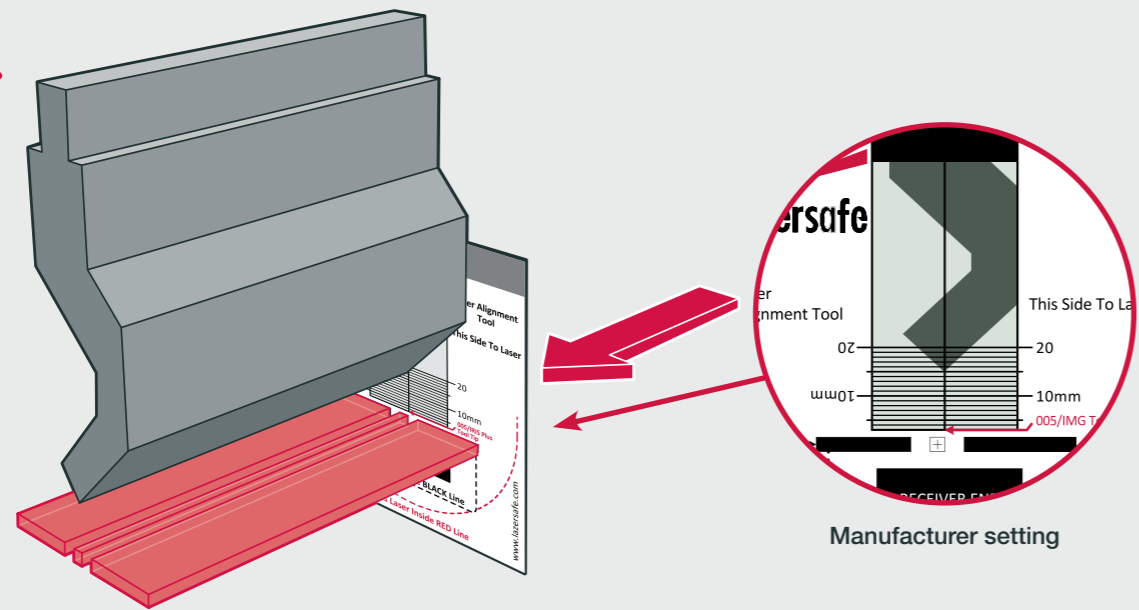
LS-CS-M-017 Rev 2.1

"Lazer Safe", "LZS-004", "LZS-004-HS", "LZS-LG", "LZS-LG-HS" and "LGD-0" are trademarks of Lazer Safe Pty Ltd.

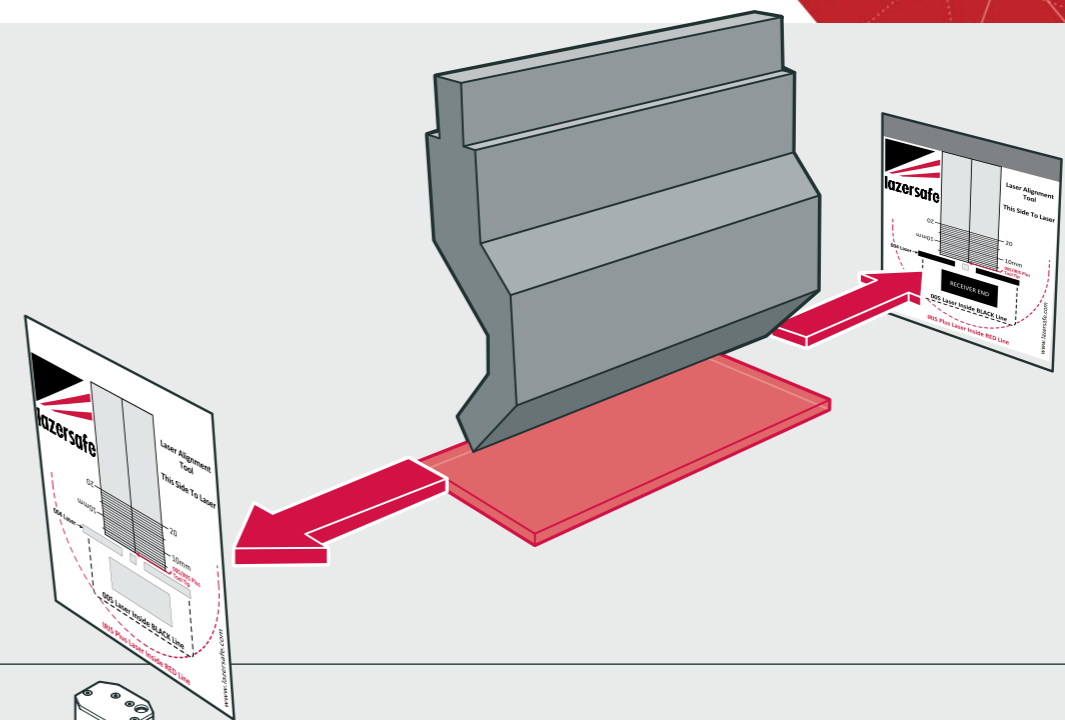
# Planar Laser Alignment Guide



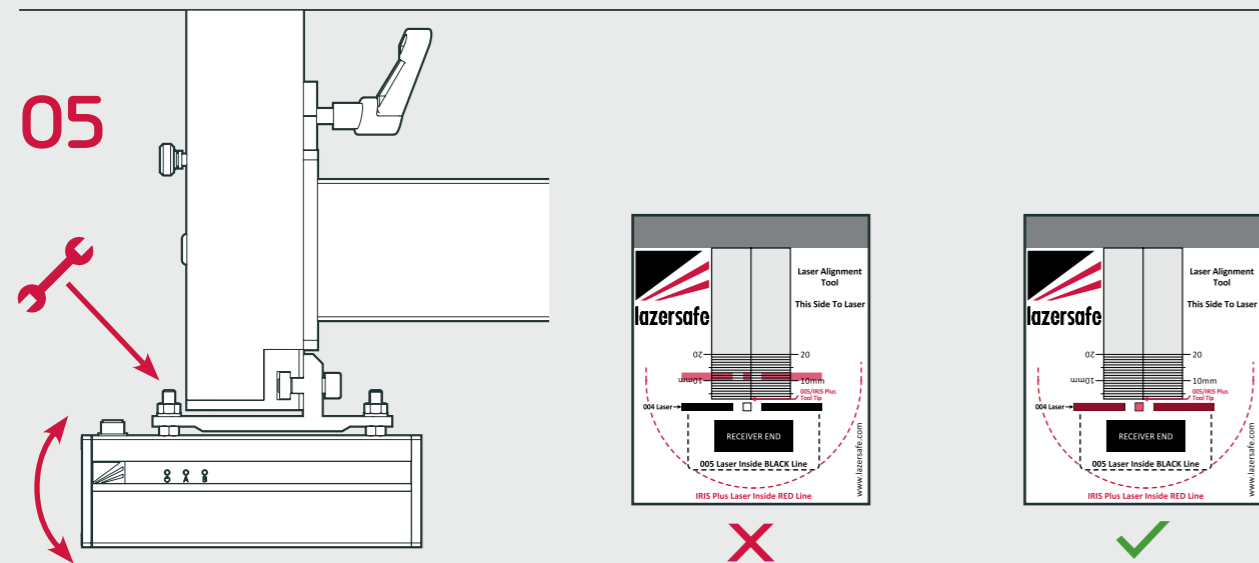
04



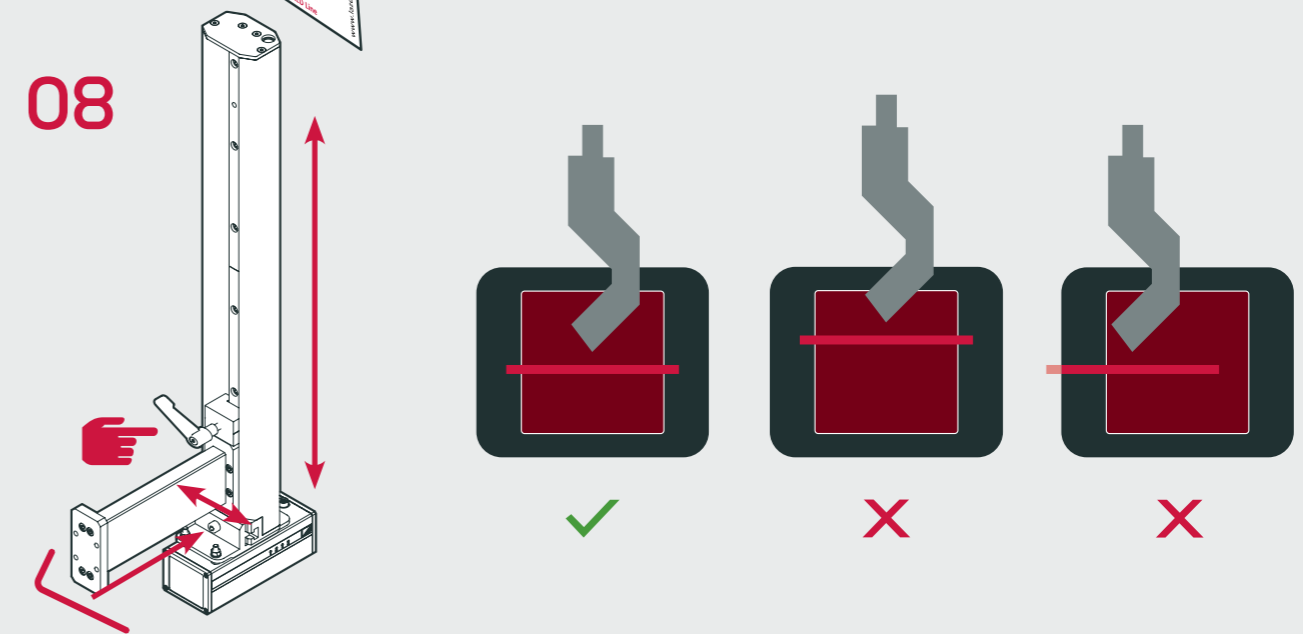
07



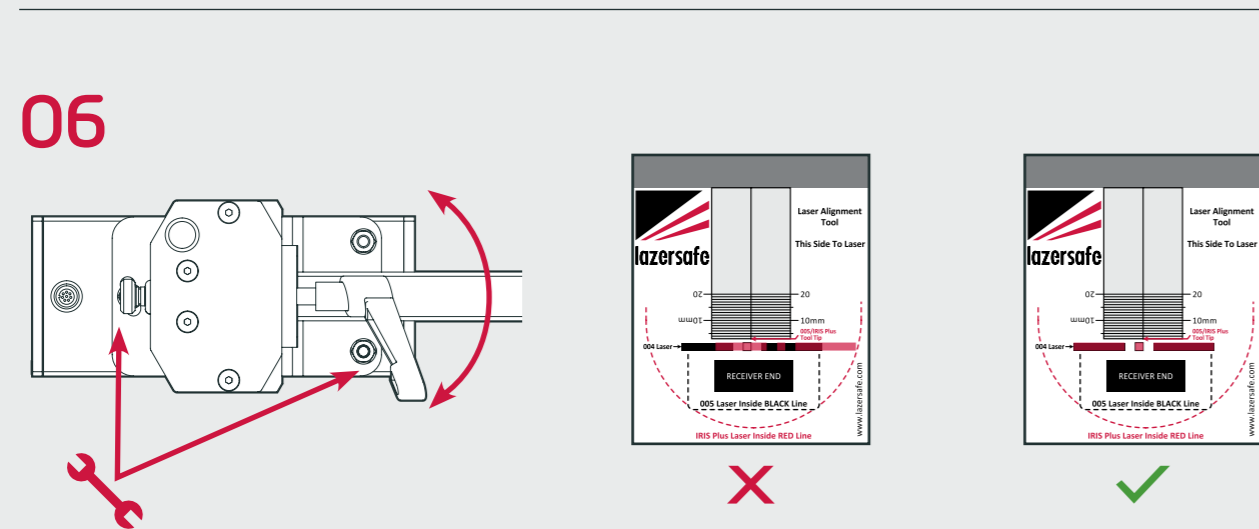
05



08



06



09

