

NORTHGATE
TAKING CARE OF EVERY ASPECT



ALPHA 40 HEAVY DUTY

NORTHGATE
TAKING CARE OF EVERY ASPECT

Northgate, PO Box 200, Barnet, Herts EN4 9EW
Tel 020 8441 4545 **Fax** 020 8441 4888
Website www.northgateuk.com **Email** enquiries@northgateuk.com

ALPHA 40 HEAVY DUTY ROLLER BLIND

Features:

The Northgate Alpha 40 heavy duty roller blind with premium sidewinder mechanism as standard. White plastic brackets for face or top fixing with 36mm grooved aluminium barrel or white metal brackets with 53 or 70mm grooved aluminium barrel, depending on blind size and fabric weight. Superior quality 1:4 geared sidewinder mechanisms for heavy duty operation, with metal control chain. Fabric is locked into groove in barrel, and features white Tear Drop aluminium bottom bar as standard.

Benefits:

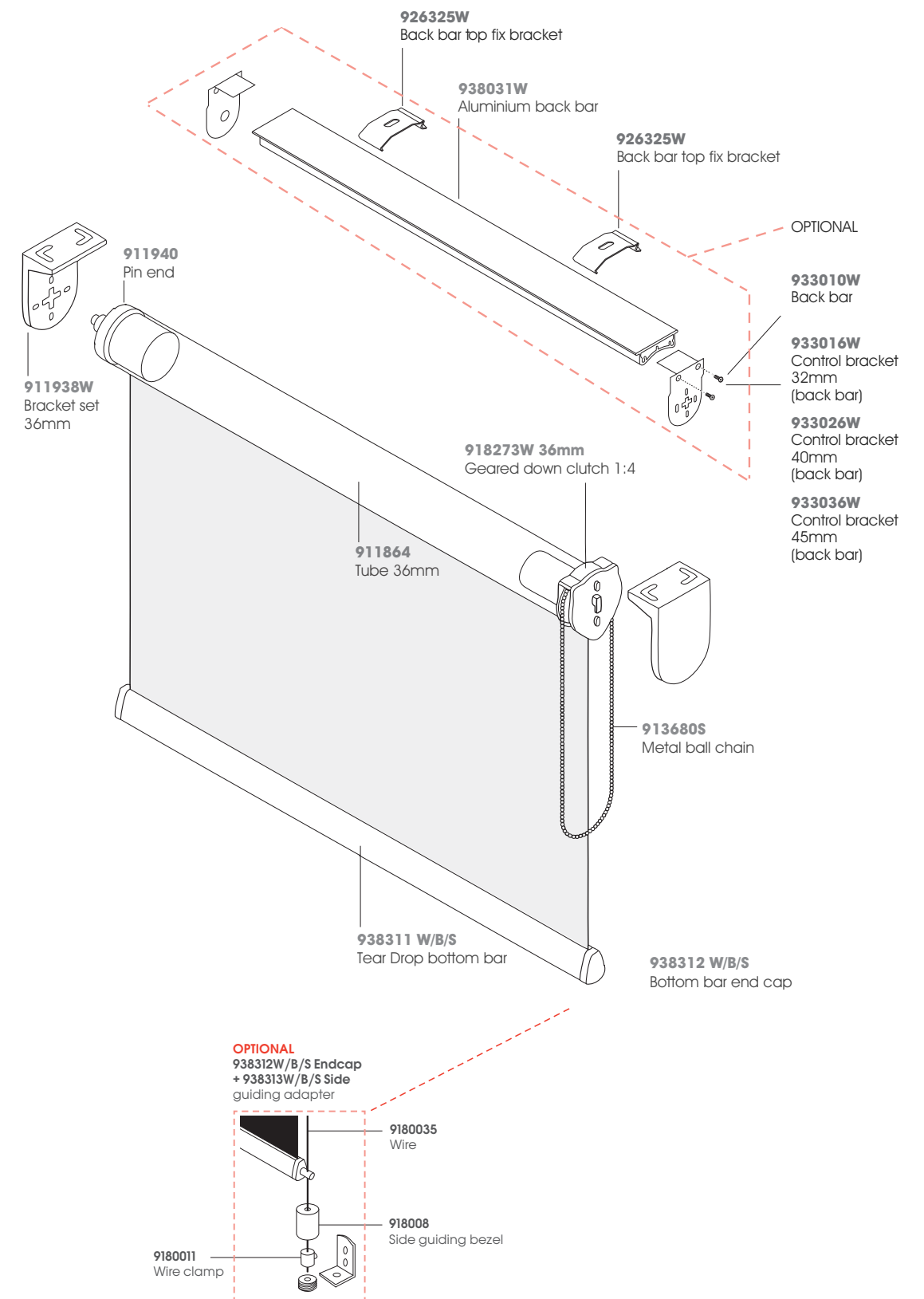
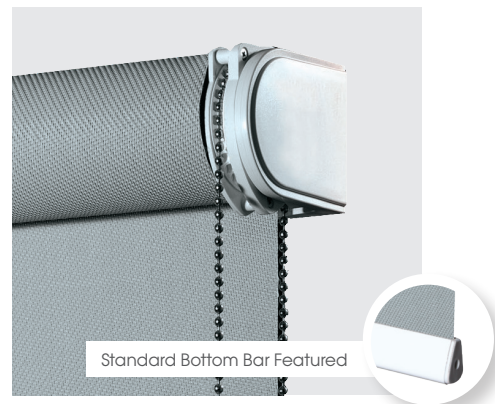
The Alpha 40 opens up a whole range of premium quality sidewinder controlled blinds. The control mechanisms are meticulously designed for a long and trouble-free life, and the wide choice of barrel sizes, ranging from the attractively slim 36mm to the extremely rigid 70mm, means that there is a superbly engineered sidewinder blind for almost every application. Fabric is located in the groove in such a way that, although it cannot be pulled out, it may be slid out sideways for easy repair or replacement of blind cover.

Options:

Alternative bottom bars, in plastic or aluminium, including fabric covered; Tear Drop aluminium bottom bar in black or silver; Wire side-guiding system; White aluminium back bar; Turn-button tag; Fascia.

Specification:

Flame retardant fabric from the Northgate range, locked into grooved 36/53/70mm aluminium barrel along with white Tear Drop aluminium bottom bar as standard. Supported by sturdy, attractive brackets and incorporating metal control chain.



LIFETIME WARRANTY This fabric range comes with a full **Lifetime Warranty** as standard.

For more information and images please visit our website at:

WWW.NORTHGATEUK.COM/ALPHA-40