



Product Catalogue

# Contents

---

Admin Key .....	4
User Key .....	5
Rim Cylinder .....	6
Mortice Screw-in Cylinder .....	7
Scandinavian Oval Cylinder .....	8
Single Euro Cylinder .....	9
Double Euro Cylinder .....	10
Euro & Turn .....	11
Key Switch .....	12
35mm Stainless Steel Padlock .....	13
40mm Brass Padlock .....	14
45mm Brass Padlock .....	15
55mm Brass Padlock .....	16
50mm Padlock .....	17
60mm Padlock .....	18
60mm Padlock .....	19
80mm Padlock .....	20
Cable Padlock .....	21
50mm Storm Proof Padlock .....	22
65mm Storm Proof Padlock .....	23
Vehicle Lock .....	24
Standard Camlock .....	25
Gaming Camlock .....	26
Gaming Camlock 90° L+R .....	27
Cabinet Lock Cylinder .....	28
Server Cabinet Lock .....	29
Cabinet Locking Handle .....	30
Road Side/Cabinet Lock .....	31
Key Hider Tube .....	32
Wall Reader .....	33
Wall Reader Steel Surround .....	34
Software .....	35
PC Key Encoder .....	36

## How it works

---

1. Create and program locks by using your eLOQ key and software



2. Add new users, assigned access times, entry levels & calendars in the eLOQ software



3. Program the user keys with access permissions to different locks from the eLOQ software



4. Easily remove your existing locks and replace them with your new electronic eLOQ cylinders

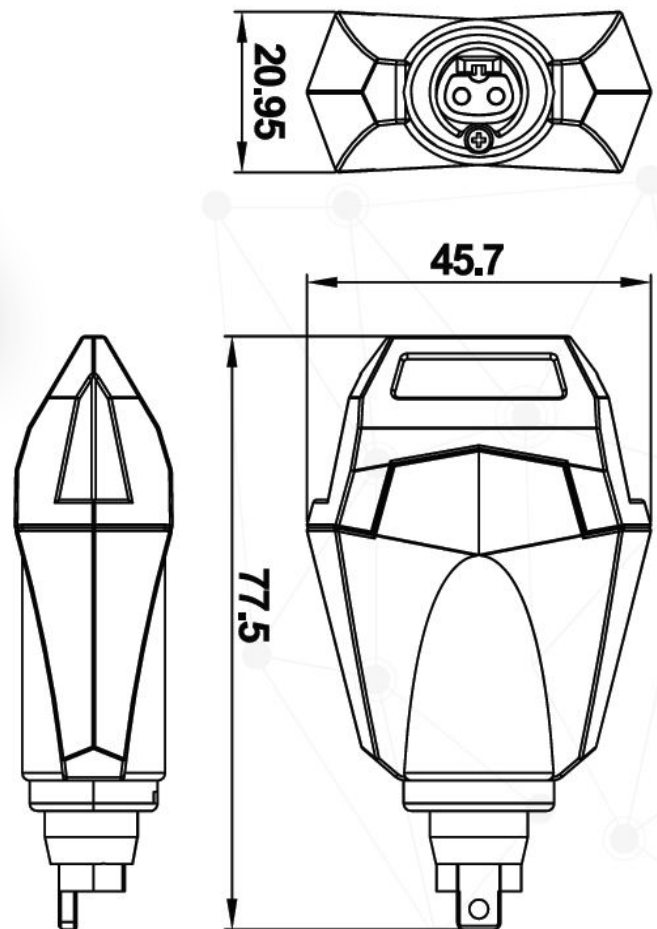


5. Using the eLOQ software, review the audit trail of your users.



# eLOQ Admin

Product Ref: eLOQ-K1



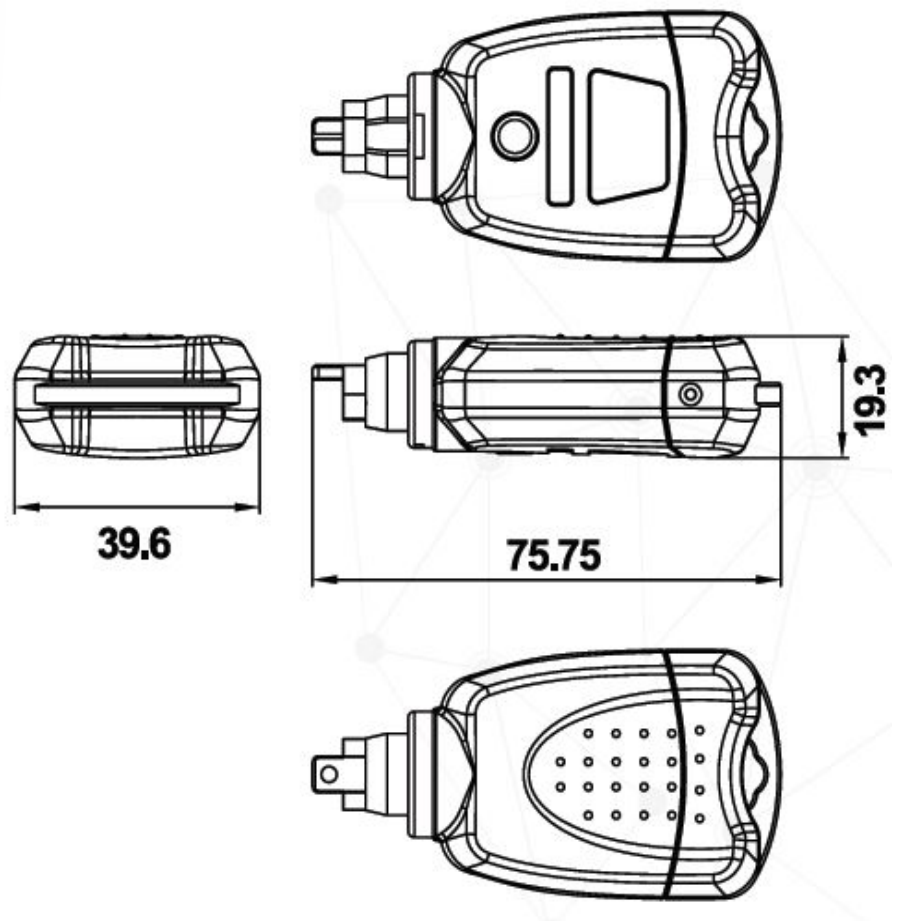
## Features

- Stainless steel tip
- Compatible with pro software
- Colour black
- Battery life upto 50,000 openings



# eLOQ User Key

Product Ref: eLOQ-K2

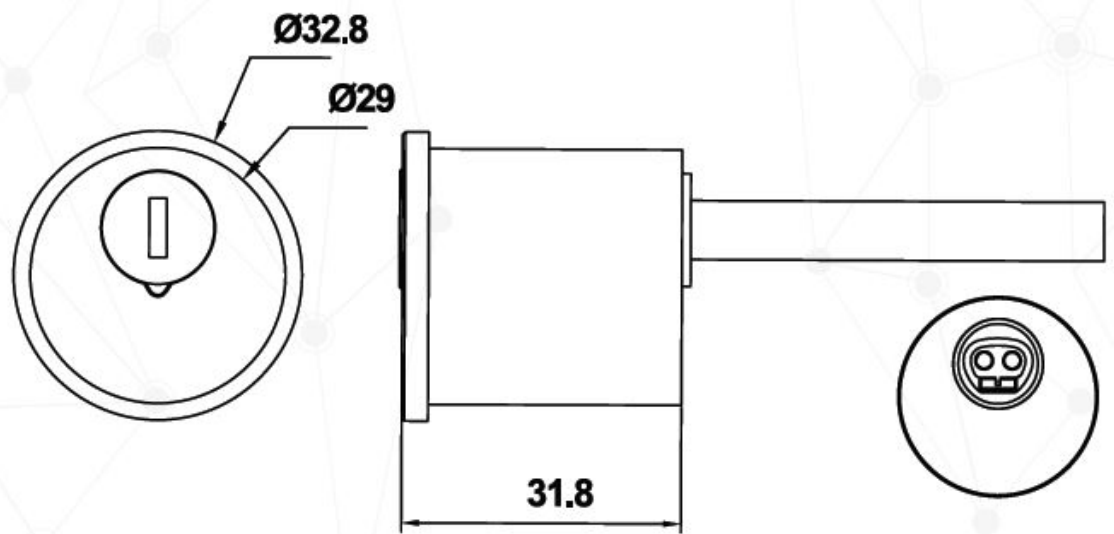
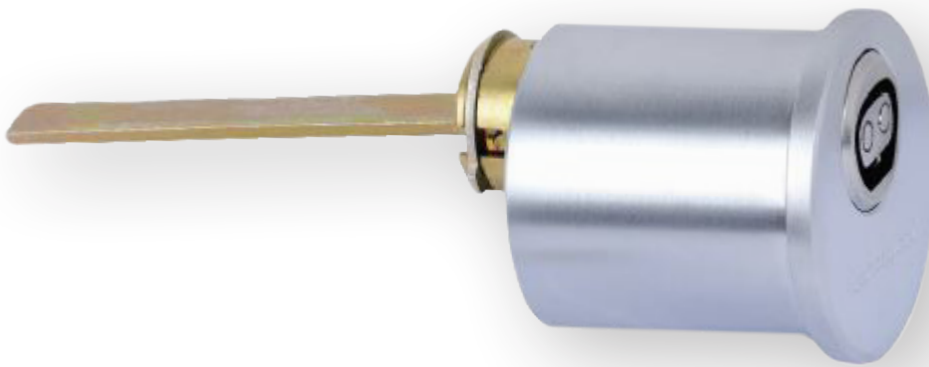


## Features

- Stainless steel tip
- Colour insert compatible
- Colour black
- Battery life upto 50,000 openings

# eLOQ Rim Cylinder

Product Ref: eLOQ-RIM

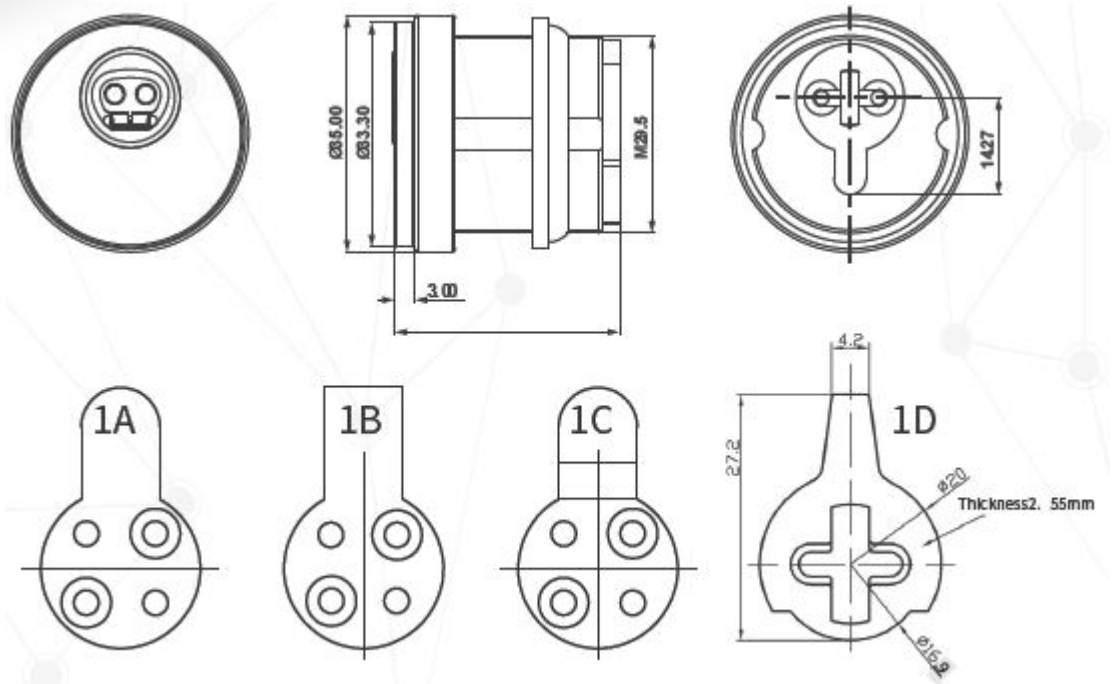


## Features

- Round Rim Cylinder
- Standard tail piece fixing
- Solid brass body
- Satin Chrome finish

# eLOQ Mortice Screw-in Cylinder

Product Ref: eLOQ-MORTICE2

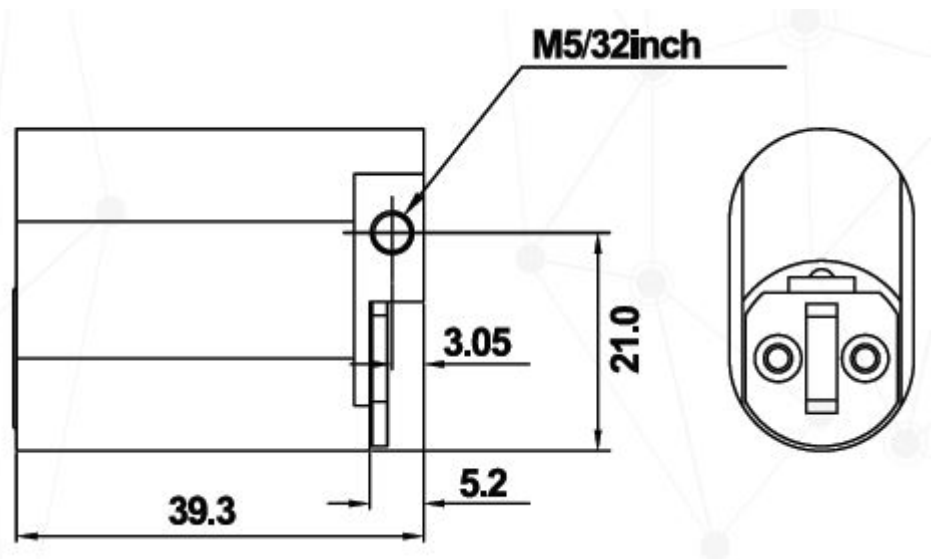
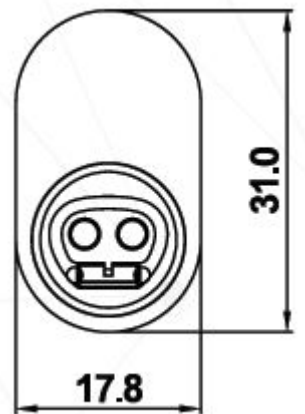


## Features

- Suits ANSI Mortice Locks
- Extended cylinder option available MTO
- Cam options 1A, 1B, 1C and 1D
- Satin Chrome finish

# eLOQ Scandinavian Oval Cylinder

Product Ref: eLOQ-SCAN-OVL

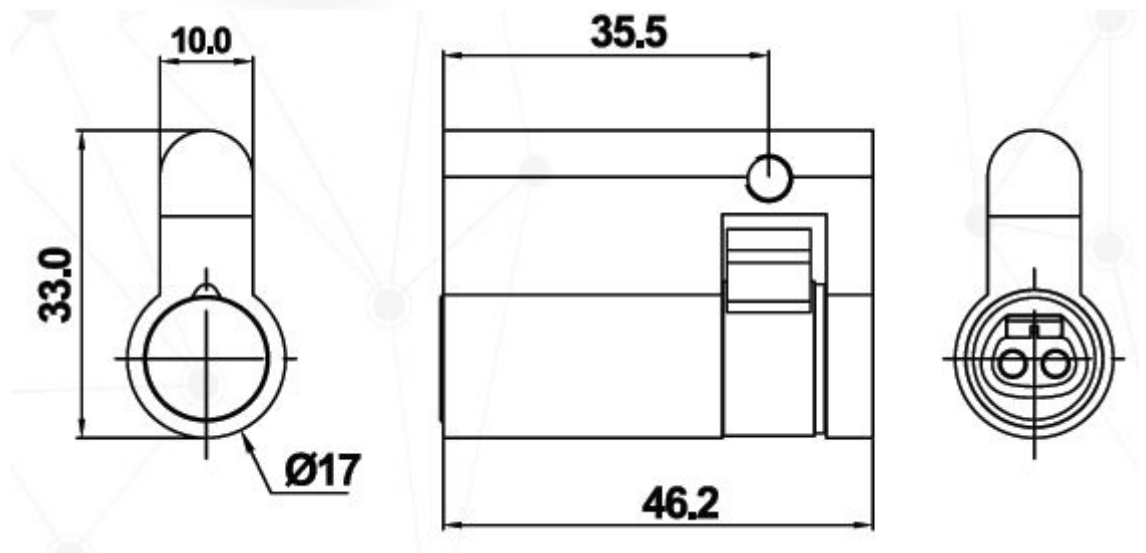


## Features

- Oval Cylinder
- Satin Chrome finish
- Various cam options available

# eLOQ Single Euro

Product Ref: eLOQ-EURO-SGL

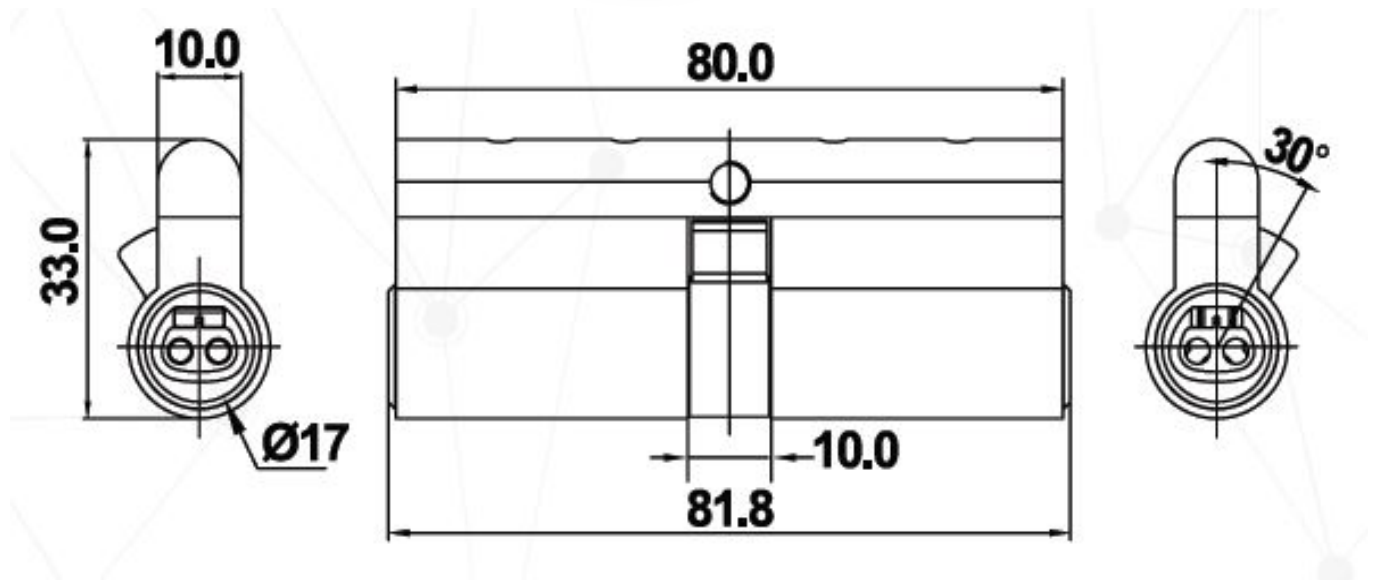


## Features

- European half cylinder
- Satin Chrome finish
- Fixed cam drive

# eLOQ Double Euro

Product Ref: eLOQ-EURO-DBL



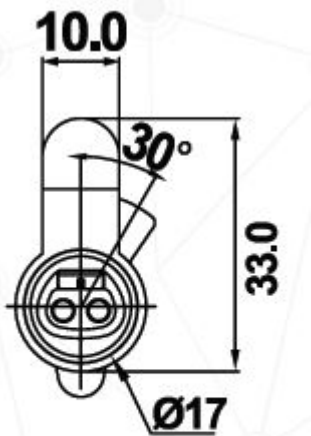
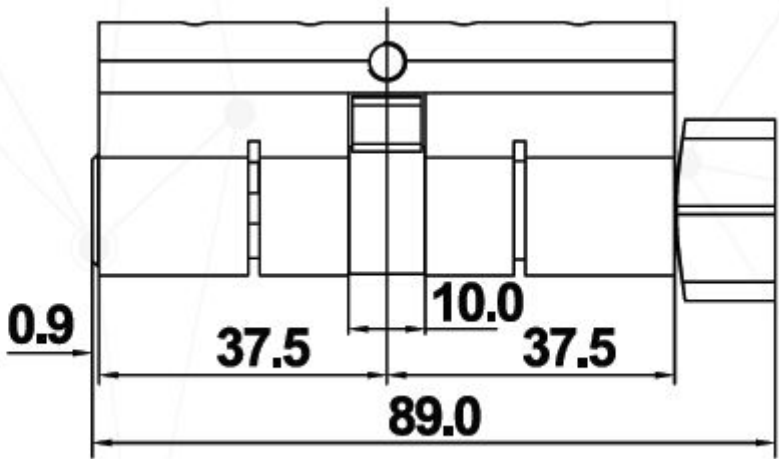
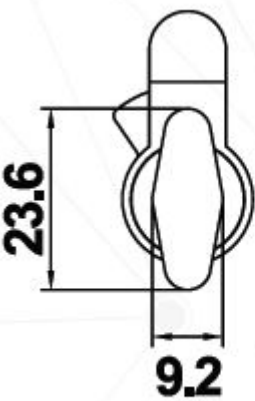
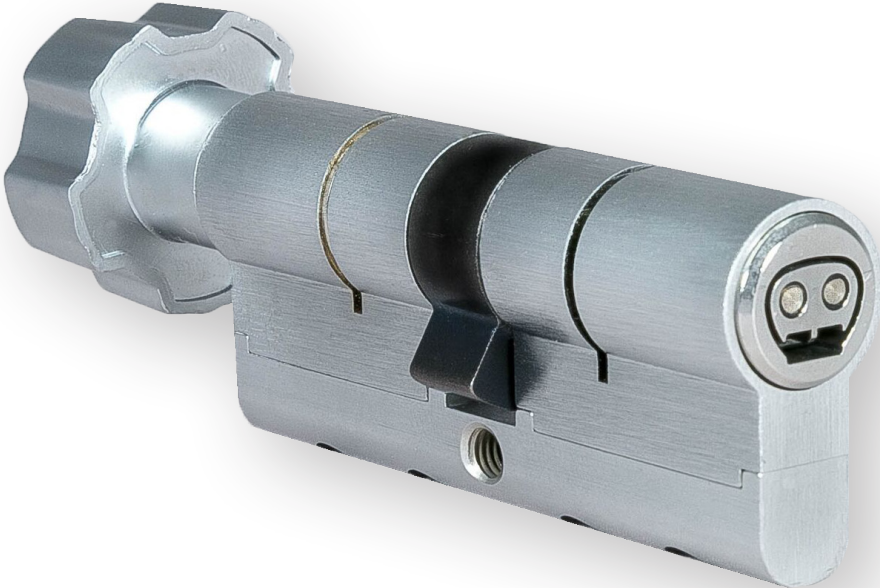
## Features

- European double key cylinder
- Satin Chrome finish
- Fixed cam drive



# eLOQ Euro & Turn

Product Ref: eLOQ-EURO-TRN

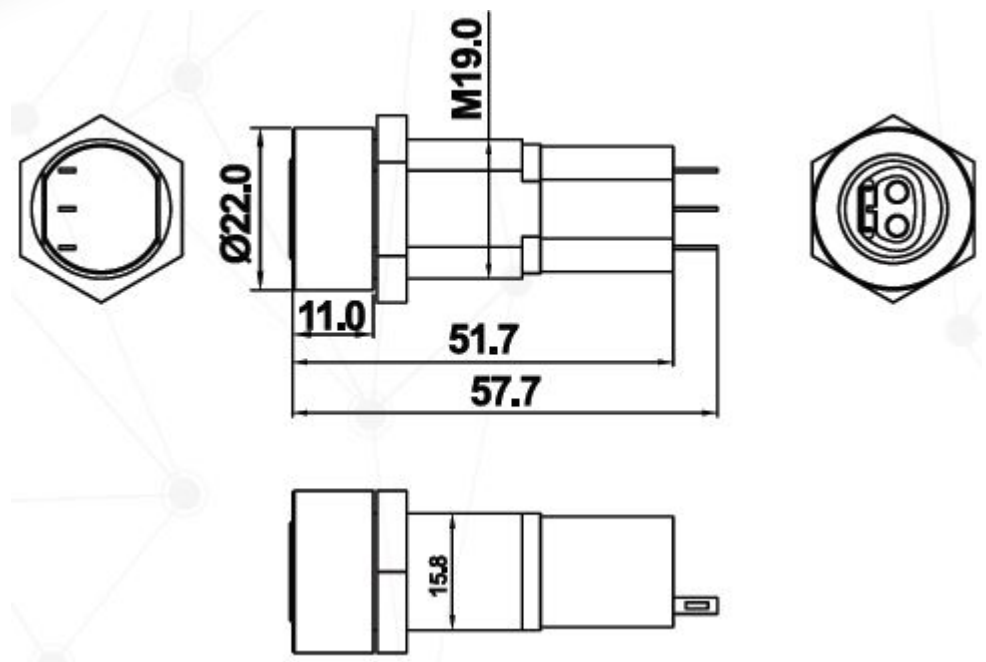


## Features

- European key and turn cylinder
- Satin Chrome finish
- Fixed cam drive

# eLOQ Key Switch

Product Ref: eLOQ-SWITCH



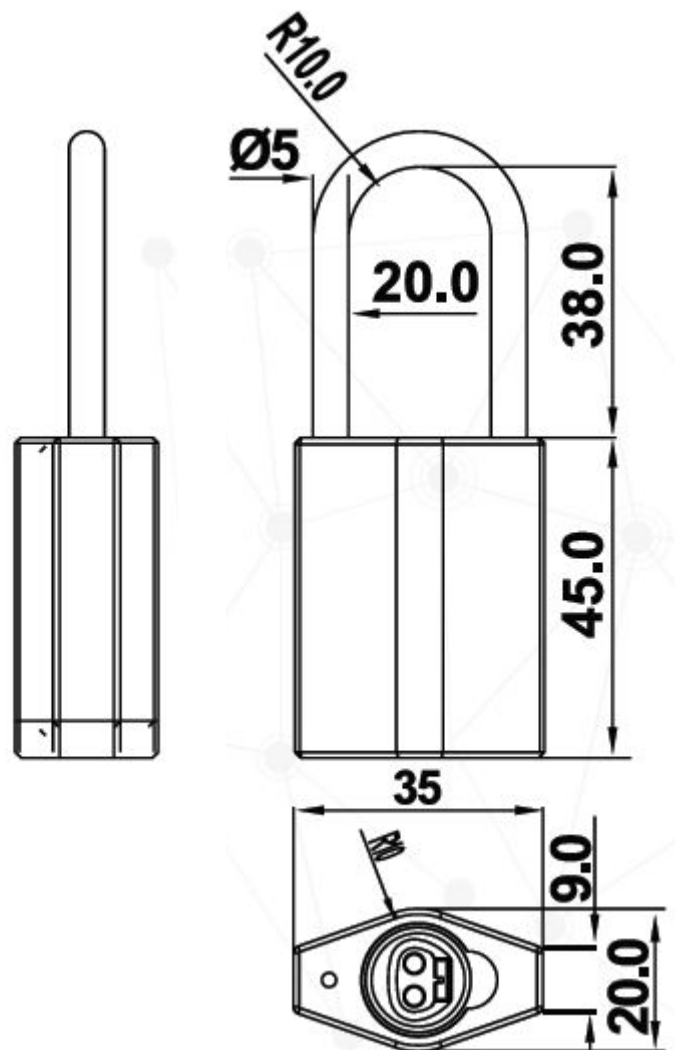
## Features

- Key switch
- Stainless Steel finish
- Various terminal options
- Complete with fixing nut



# eLOQ 35mm Stainless Steel Padlock

Product Ref: eLOQ-PAD-30/17 SS



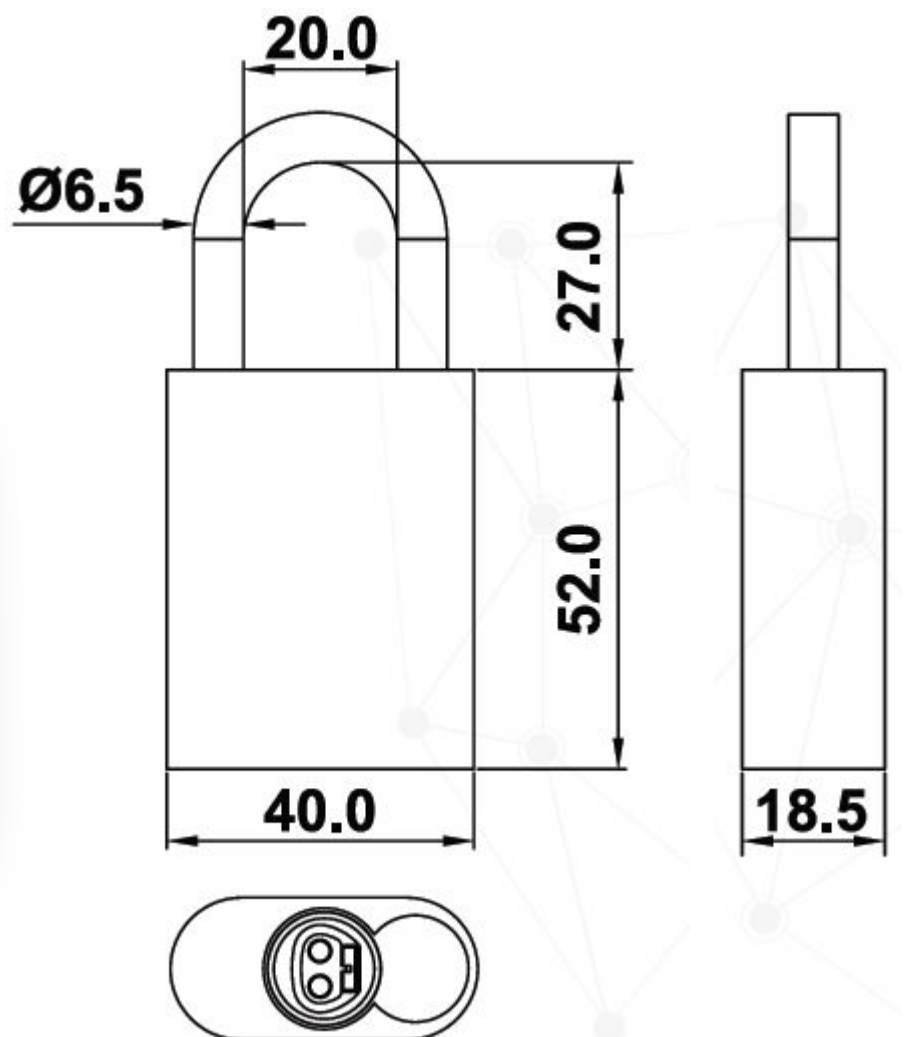
## Features

- Small Stainless Steel Padlock
- Stainless Steel finish
- Designed for harsh environments
- 35mm body

# eLOQ 40mm Brass Padlock

Product Ref: eLOQ-PAD-40/27

Product Ref: eLOQ-PAD-40/50



## Features

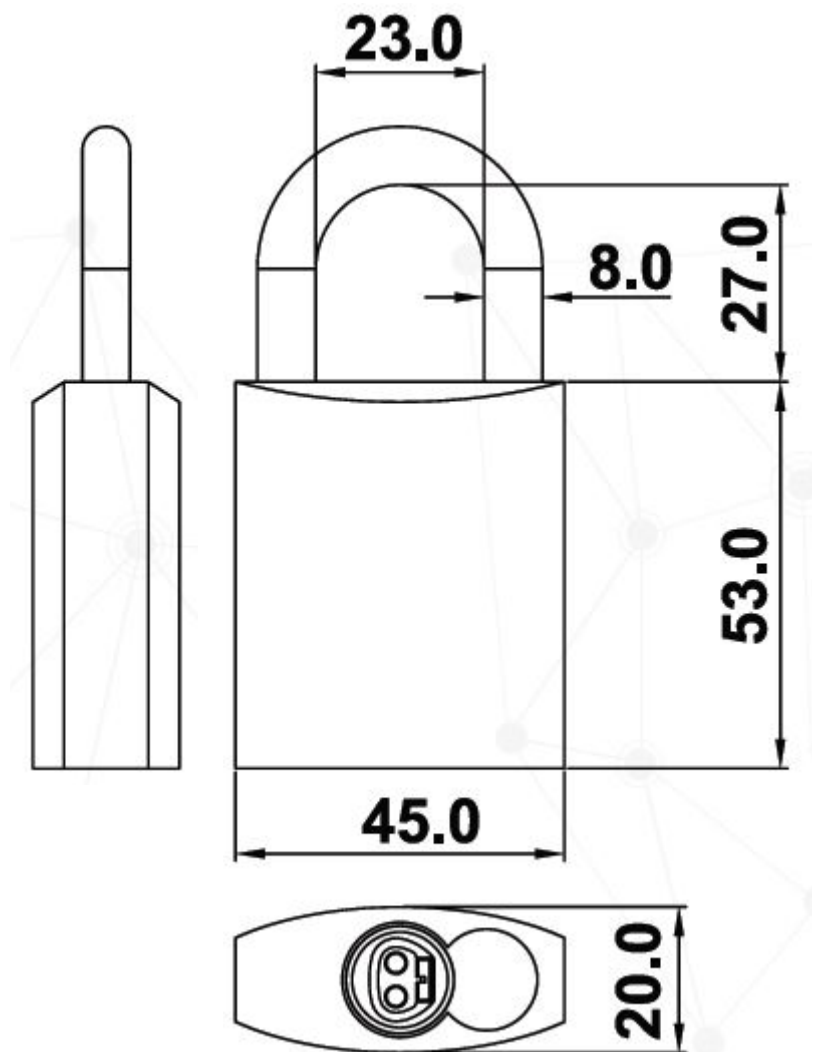
- Solid Brass/Chrome 40mm padlock
- Removable Fig8 core
- Various shackle lengths available
- Marine alloy shackle with red safety lockout option

# eLOQ 45mm Brass Padlock

Product Ref: eLOQ-PAD-45/27

Product Ref: eLOQ-PAD-45/50

Product Ref: eLOQ-PAD-45/75



## Features

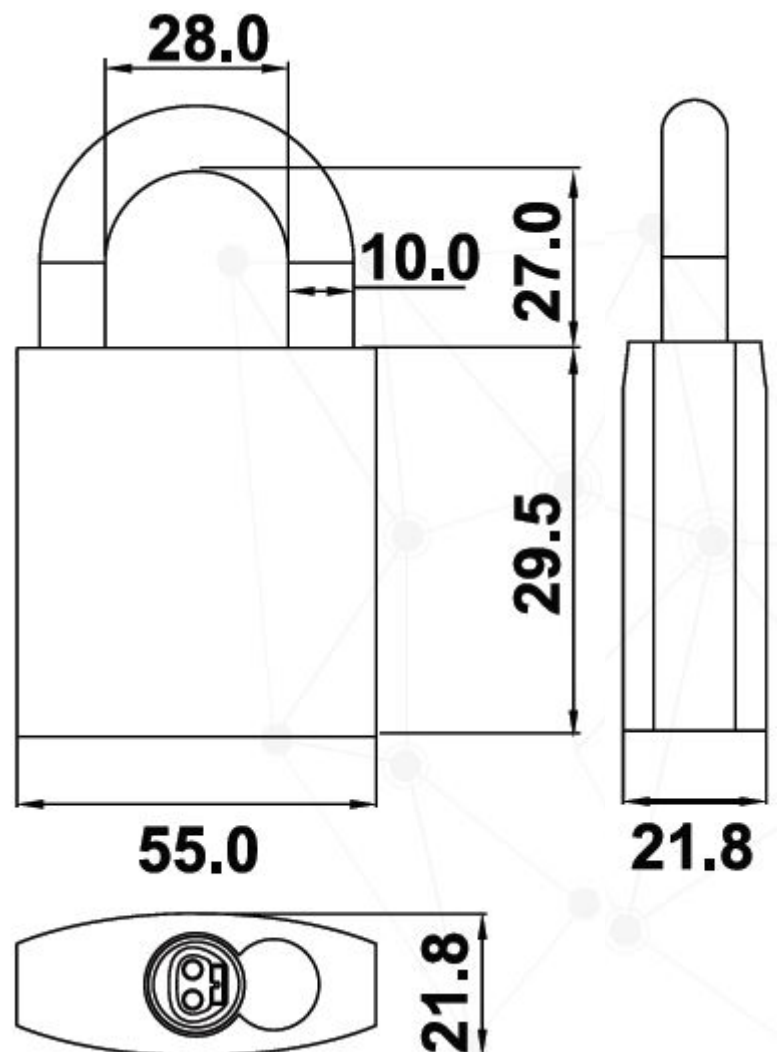
- Solid Brass/Chrome 45mm padlock
- Removable Fig8 cylinder
- Various shackle lengths available
- Marine alloy shackle

# eLOQ 55mm Brass Padlock

Product Ref: eLOQ-PAD-55/30

Product Ref: eLOQ-PAD-55/50

Product Ref: eLOQ-PAD-55/70



## Features

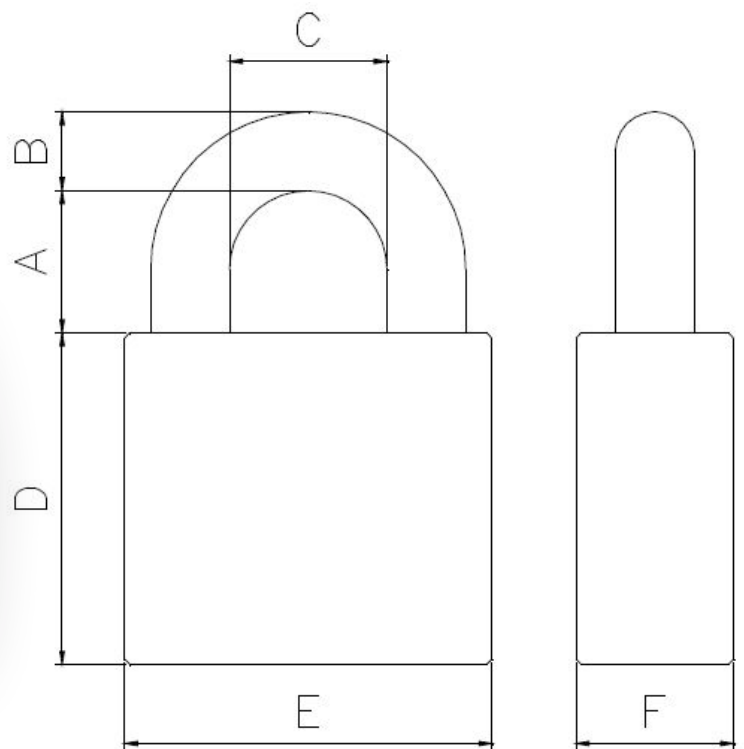
- Solid Brass/Chrome 55mm Padlock
- Removable fig8 core
- Various shackle lengths available
- Boron Steel shackle

# eLOQ 50mm Padlock

Product Ref: eLOQ-PAD-AL-50/25

Product Ref: eLOQ-PAD-AL-50/60

Product Ref: eLOQ-PAD-AL-50/110



A	B	C	D	E	F
25/60/110	8	24	62	50	25

## Features

- Solid Brass body, Chrome plated 50mm padlock
- Various shackle lengths available
- Includes weather cap
- Self locking option available

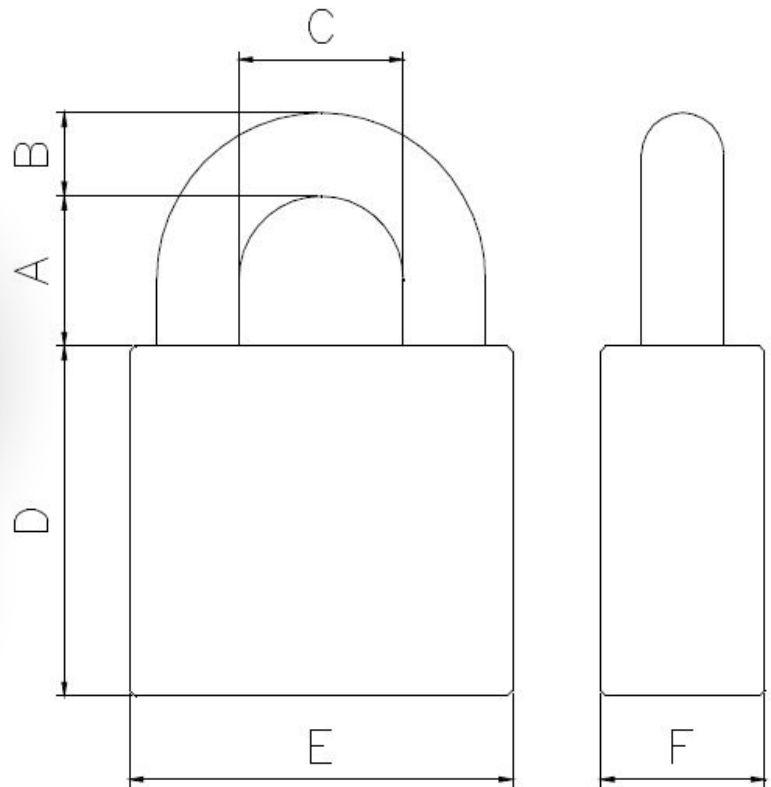
# eLOQ 60mm Padlock

Product Ref: eLOQ-PAD-AL-60/28

Product Ref: eLOQ-PAD-AL-60/50

Product Ref: eLOQ-PAD-AL-60/28 RS

Product Ref: eLOQ-PAD-AL-60/50 RS



A	B	C	D	E	F
28/50	11	28	62	60	25

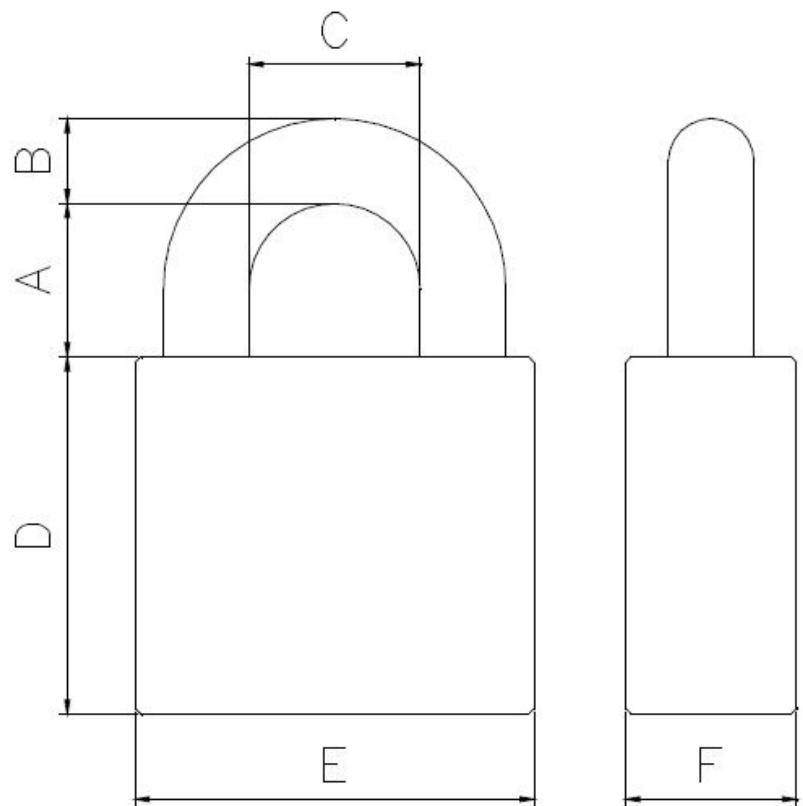
## Features

- Solid Chrome 60mm Padlock
- Option to have a removable shackle
- Weather protected

# eLOQ 60mm Padlock

Product Ref: eLOQ-PAD-AL-60C/28

Product Ref: eLOQ-PAD-AL-60C/28 RS



A	B	C	D	E	F
28	11	28	94	60	25

## Features

- Solid Chrome 60mm padlock
- Various shackle lengths available
- Closed shackle
- Removable shackle option



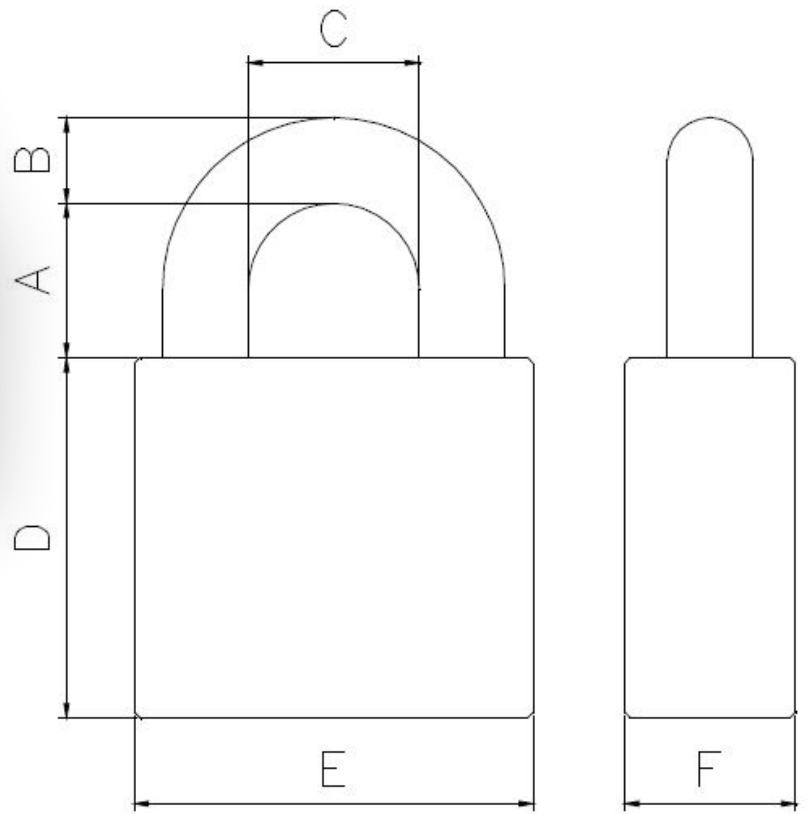
# eLOQ 80mm Padlock

Product Ref: eLOQ-PAD-AL-80/27

Product Ref: eLOQ-PAD-AL-80/50

Product Ref: eLOQ-PAD-AL-80/27 RS

Product Ref: eLOQ-PAD-AL-80/50 RS



A	B	C	D	E	F
27/50	15	40	65	80	30

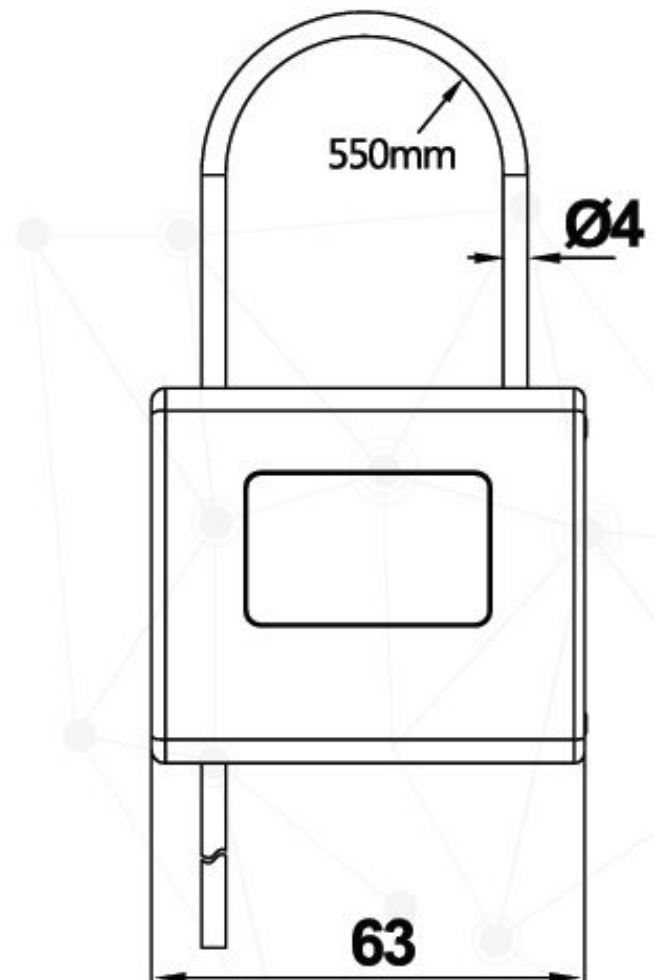
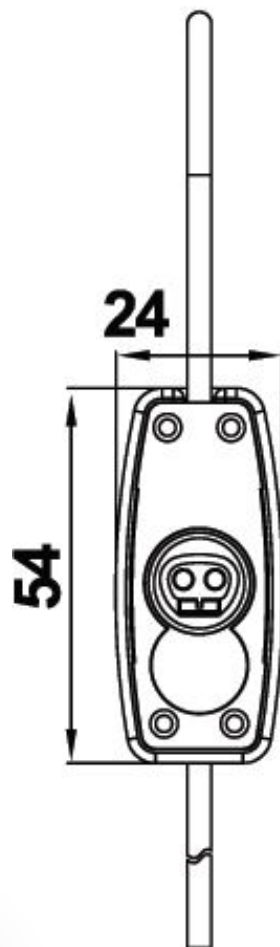
## Features

- Solid Chrome 80mm Padlock
- Hardened Steel shackle
- Option to have a removable shackle
- Weather protected



# eLOQ Cable Padlock

Product Ref: eLOQ-PAD-CABLE



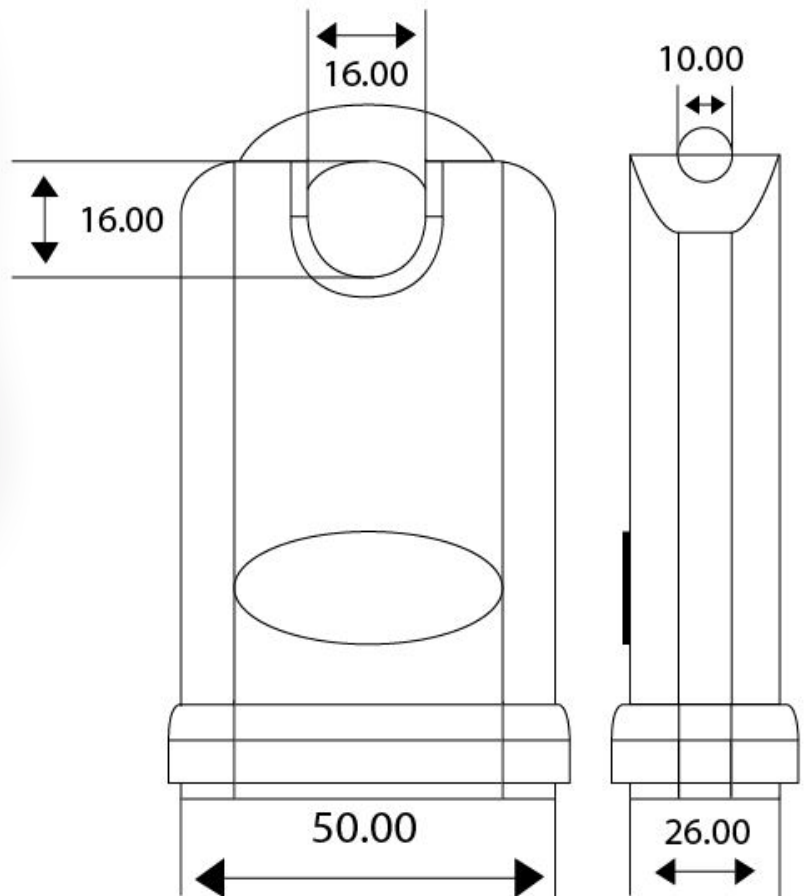
## Features

- Plastic coated reinforced wire cable
- Red plastic cover
- Adjustable length cable
- Ideal for transportation security

# eLOQ Storm Proof Padlock 50mm

Product Ref: eLOQ-PAD-SS50/STRM

Product Ref: eLOQ-PAD-SS50C/STRM



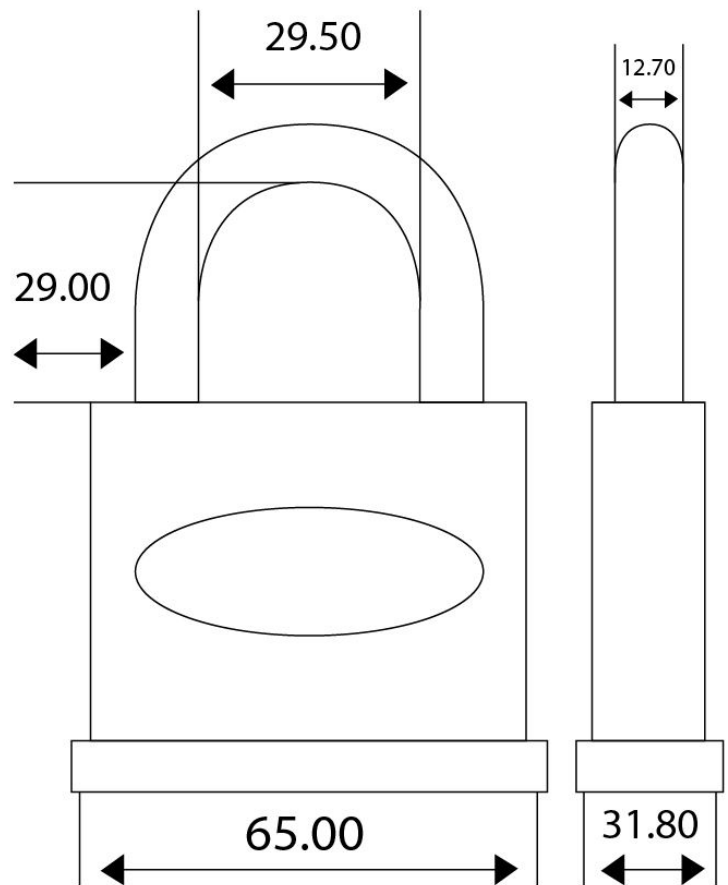
## Features

- Solid 50mm padlock
- Closed shackle available
- Open shackle available
- Hardened boron shackle

# eLOQ Storm Proof Padlock 65mm

Product Ref: eLOQ-PAD-SS65/STRM

Product Ref: eLOQ-PAD-SS65C/STRM

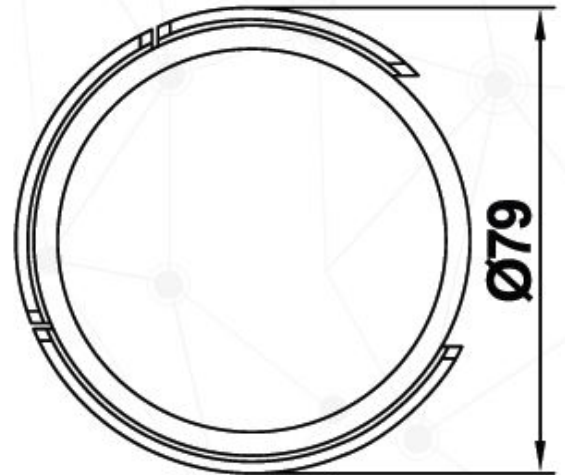
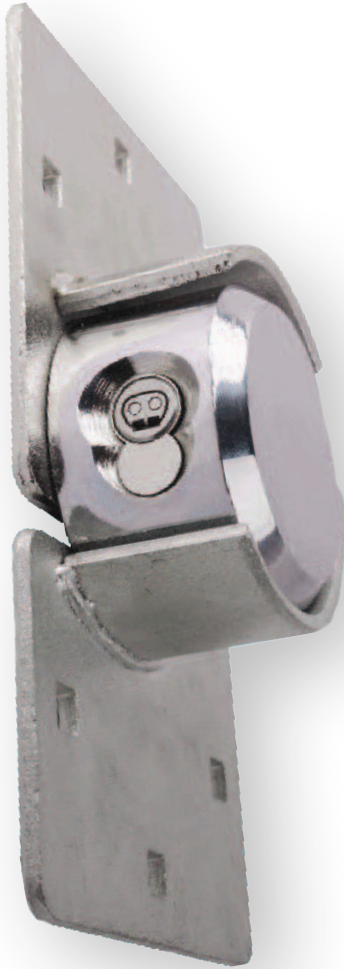


## Features

- Solid 65mm Padlock
- Closed shackle available
- Open shackle available
- Hardened boron shackle

# eLOQ Vehicle Lock

Product Ref: eLOQ-SS-HP

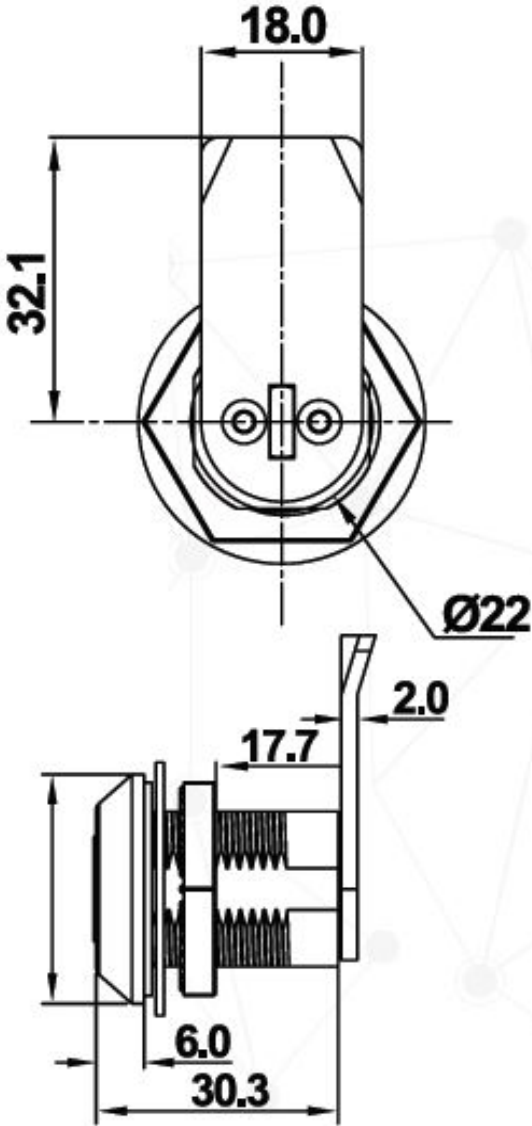


## Features

- Polished Chrome finish
- Hardened steel construction
- Complete with hasp
- Ideal for container security

# eLOQ Standard Camlock

Product Ref: eLOQ-CAM-01

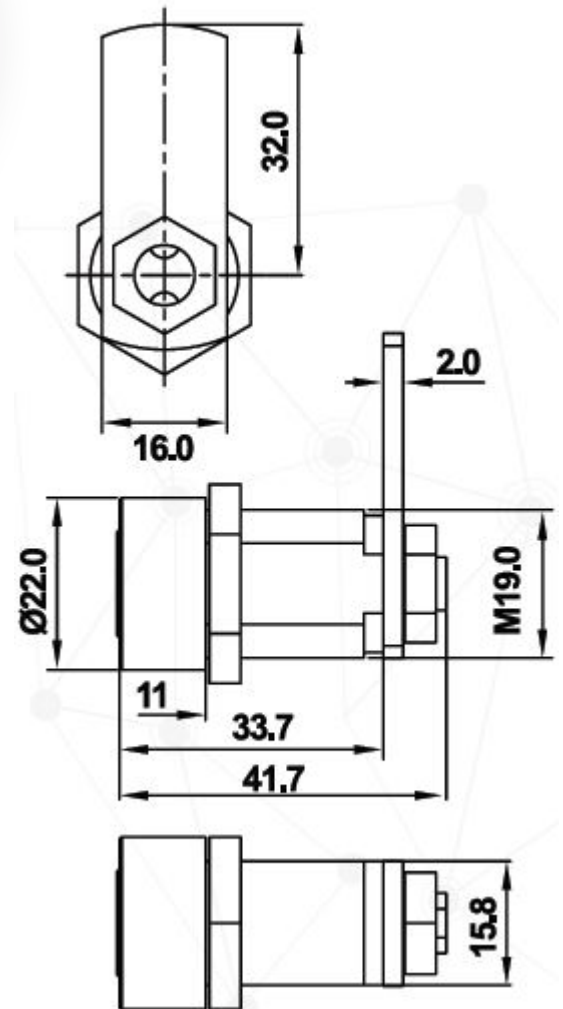
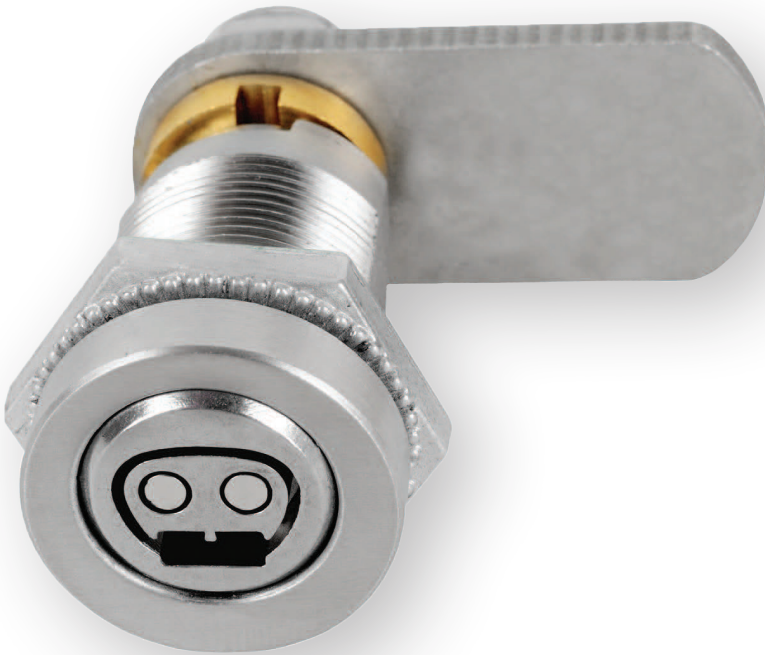


## Features

- Solid Stainless Steel
- Fixed cam
- Key removable position options
- Supplied with fixing nut

# eLOQ Gaming Camlock

Product Ref: eLOQ-CAM-02



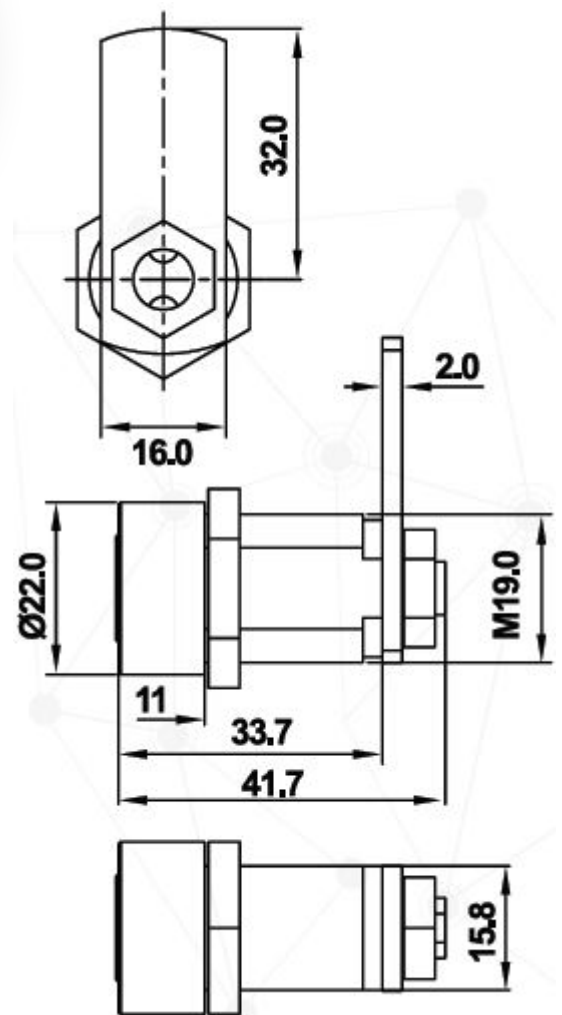
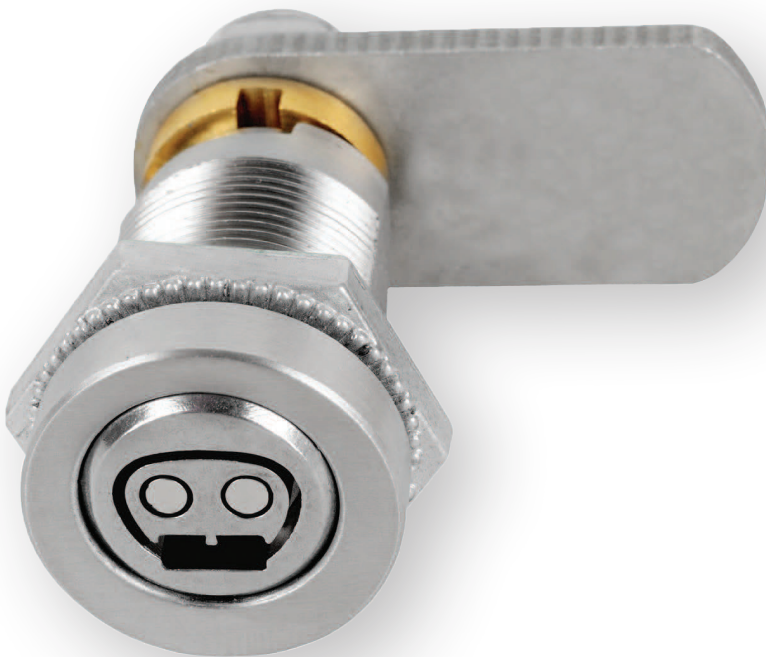
## Features

- 1 position 19mm body camlock
- Stainless Steel finish
- Various cam options
- Secure cam fixing



# eLOQ Gaming Camlock 90° L+R

Product Ref: eLOQ-CAM-03

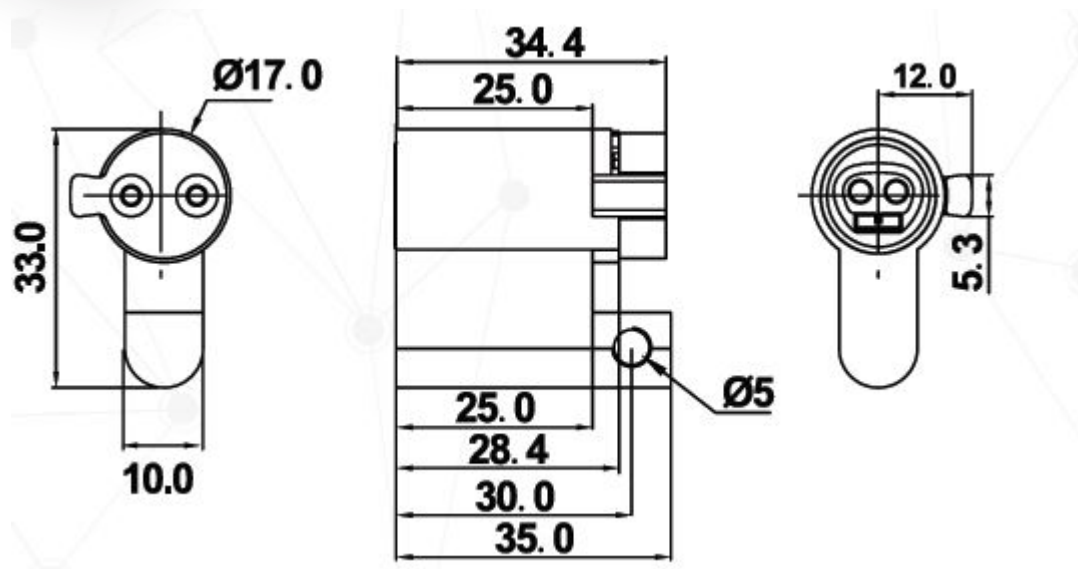


## Features

- 2 position 19mm body camlock
- Stainless Steel finish
- Two position key removable
- Secure cam fixing complete with fixing screw

# eLOQ Cabinet Lock Cylinder

Product Ref: eLOQ-CAB-03



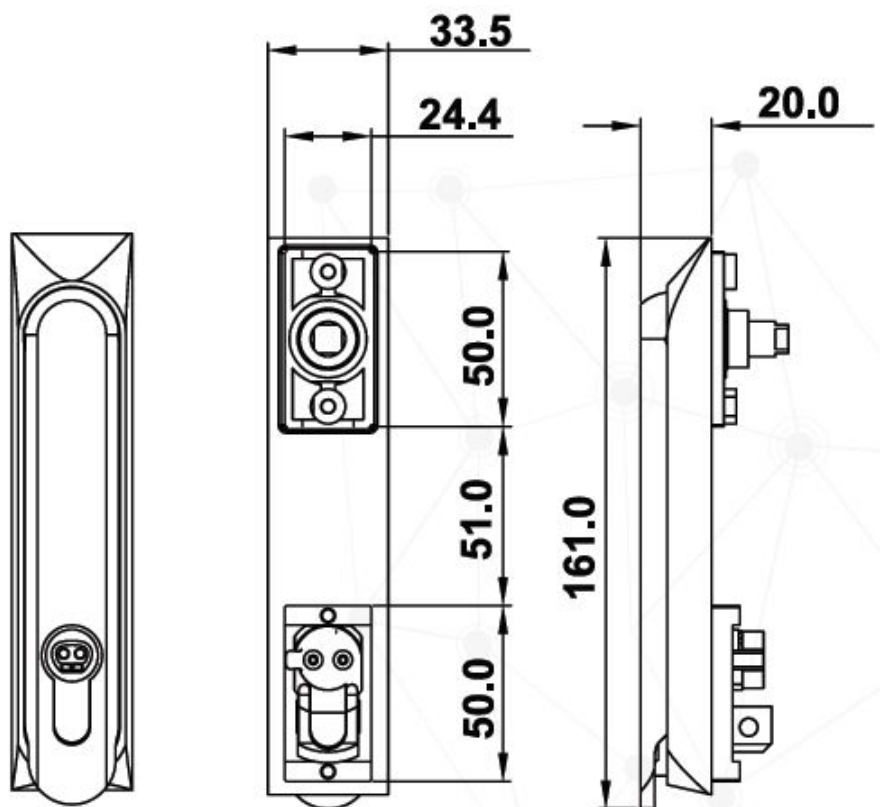
## Features

- Cabinet lock cylinder
- Satin Chrome finish
- Direct drive cam
- Spring action



# eLOQ Server Cabinet Lock

Product Ref: eLOQ-SERVER

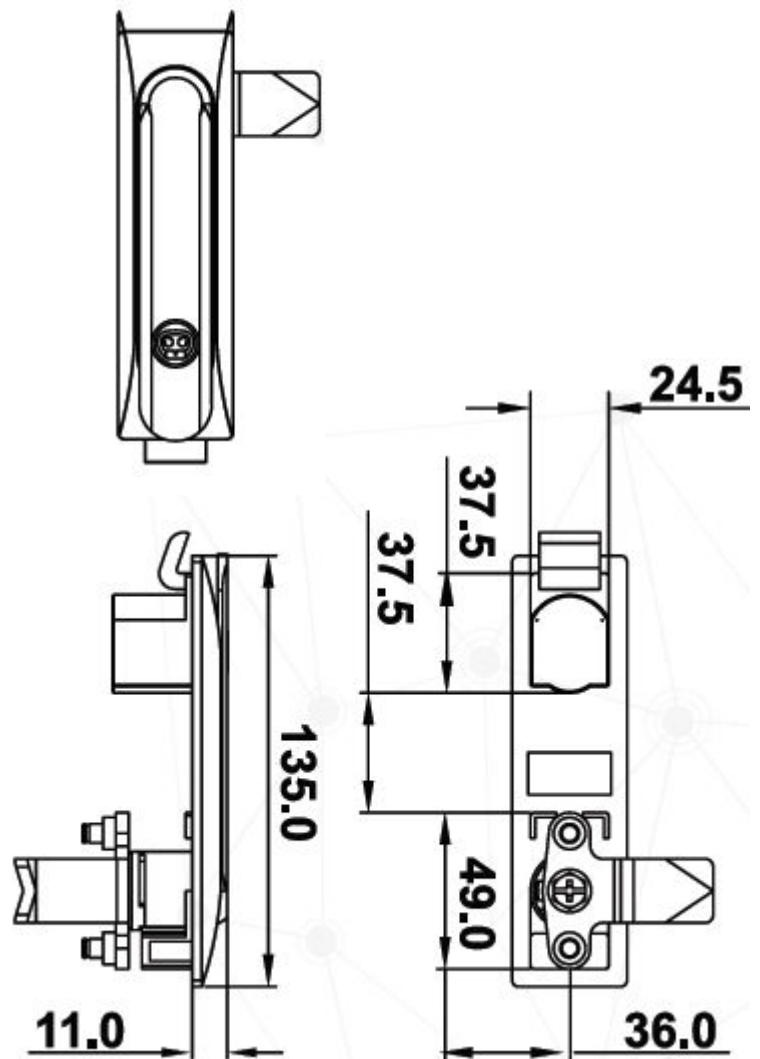


## Features

- Cabinet locking handle
- Black finish
- Various fixing options
- Ideal for power and meter boxes

# eLOQ Cabinet Locking Handle

Product Ref: eLOQ-CABINET-02

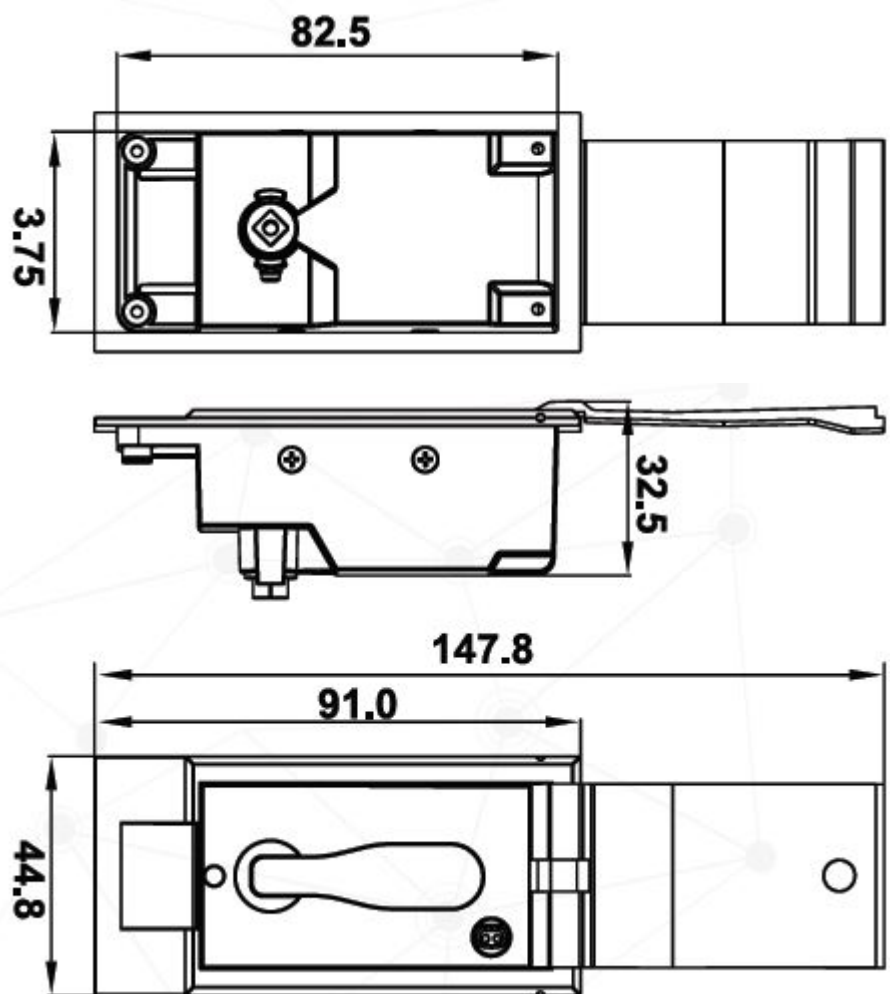
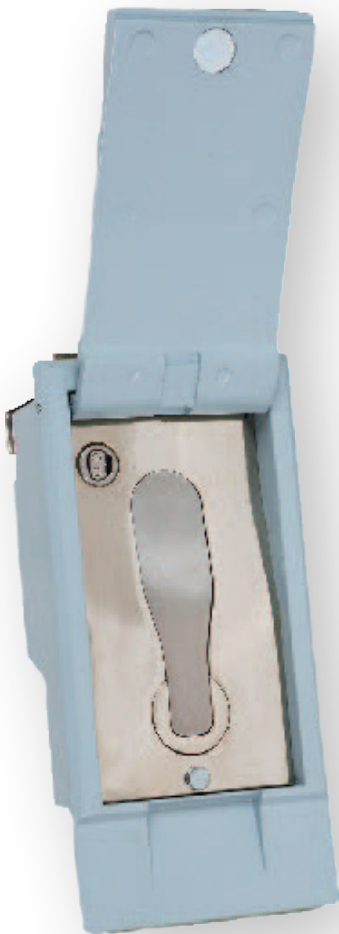


## Features

- Cabinet locking handle
- Black finish
- Various fixing options
- Ideal for power and meter boxes

# eLOQ Road Side/Cabinet Lock

Product Ref: eLOQ-CAB-LOCK

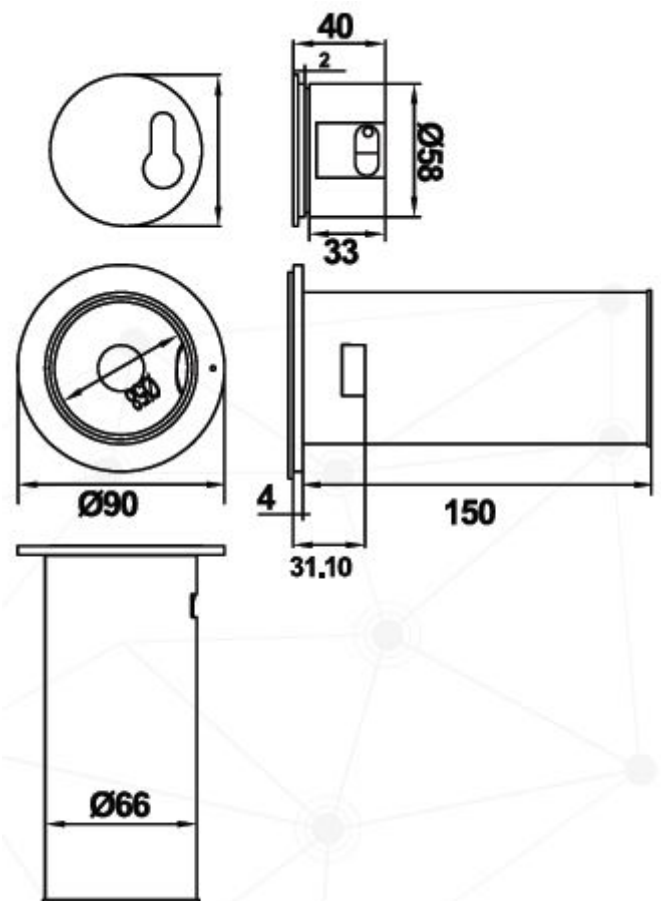


## Features

- Locking box
- Powder coat finish
- Ideal for power and meter boxes

# eLOQ Key Hider Tube

Product Ref: eLOQ-TUBE

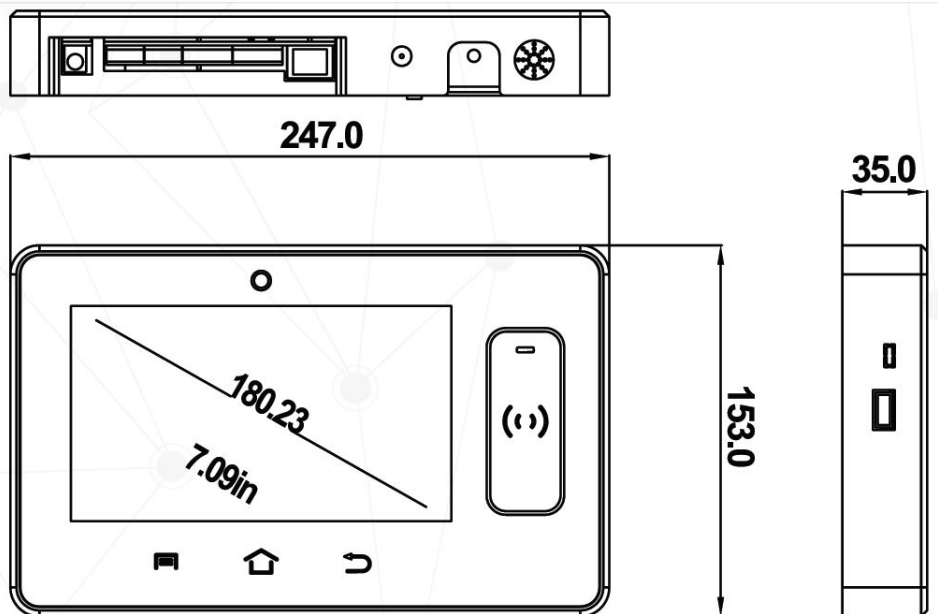


## Features

- Key hider tube
- Wall or floor mount
- SSS finish
- Secure key hide unit

# eLOQ Wall Reader

Product Ref: eLOQ-WALL-READER



## Features

- Internal / External reader options
- Touch screen
- Online / Offline function
- WAN / LAN connection to pro software

# eLOQ Wall Reader Steel Surround

Product Ref: eLOQ-WALL-READER-SS



## Features

- Internal / External reader options
- Touch screen
- Online / Offline function
- WAN / LAN connection to pro software
- Protected in a steel surround

# eLOQ Software

Product Ref: eLOQ-LITE

Product Ref: eLOQ-ENTERPRISE



## Features

- Stand-alone software
- Cloud based
- Powerful online software
- Flexibility to manage large eLOQ systems remotely



# eLOQ PC Key Encoder

Product Ref: eLOQ-PC-KE



## Features

- Update, encode and read your eLOQ Keys
- Reader connects to your PC
- USB cord supplied
- Compatible with all PC software versions of eLOQ





Polstore Storage Systems Limited  
Unit 10, The Pines Business Park  
Broad Street, Guildford  
Surrey  
GU3 3BH  
0800 008 6861  
[www.polstore.co.uk](http://www.polstore.co.uk)  
[enquiries@polstore.co.uk](mailto:enquiries@polstore.co.uk)