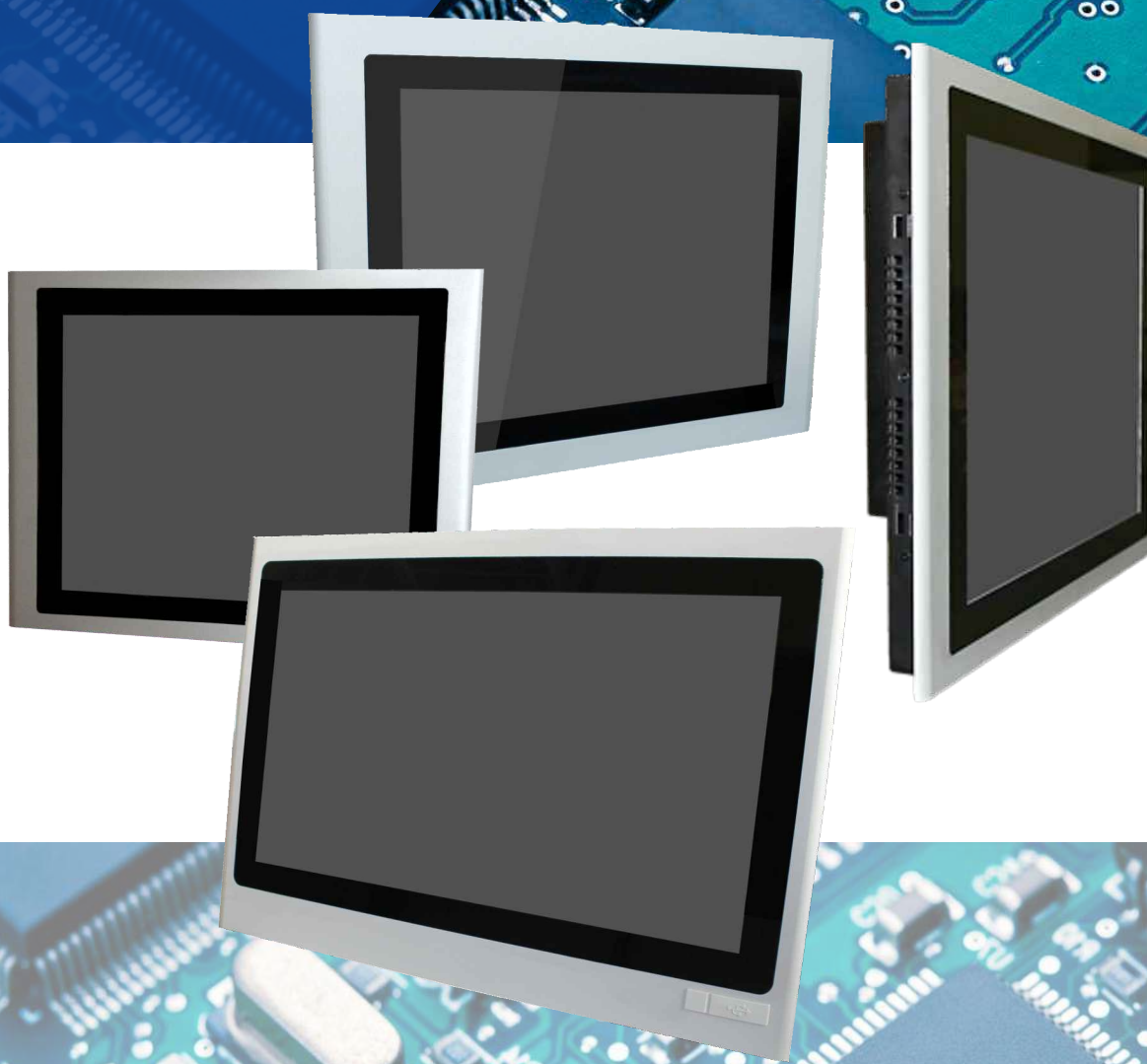


SLIM 8XX

815 - 817 - 818 - 819 - 821

 Intel® Celeron™ J1900

 Intel® Pentium™ N4200



www.hardwareolutions.it

Via Ghiarola Vecchia, 32 - 41042 Fiorano Modenese (MO) - Italy

Tel +39 0536 830620 - Fax +39 0536 831215

e-mail: info@hardwareolutions.it

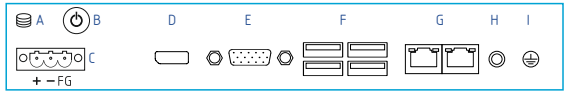
SLIM-815



Model N°	SLIM-815XJ	SLIM-815XN
System		
CPU	Intel® Celeron™ J1900 Processor (2.0GHz)	Intel® Pentium™ N4200 Processor (2.5GHz)
Memory Type	Dual Channel DDR3L 1066/1333MHz SDRAM 4/8GB	Dual Channel DDR3L 1866MHz SDRAM 4/8/16GB
Ethernet	GbE LAN1: Realtek 8111E; LAN2: Realtek 8111E	GbE LAN1: Realtek 8111G; LAN2: Realtek 8111G
I/O		
Serial	5x RS232, 1x RS232/422/485	
USB	1 USB 3.0 + 5 USB 2.0	4 USB 3.0 + 2 USB 2.0
Audio	1 (Mic-in or Line-out)	1, converts in Mic-in or Line-out (by default)
Graphics	1x VGA, 1x DP	1x VGA, 1x HDMI, 1x DP
Ethernet	2x RJ45	
Storage Space		
HDD	2x 2,5" SATA3 easily accessible design	
M2	/	1 (type: 2230)
Expansion Slot		
Mini-PCIe	1, F/S Mini-PCIe slot (with mSATA supported)	
Environment		
Operating Temperature	0 ~ 50°C	
Storage Temperature	-30 ~ 70°C	
Storage Humidity	10 to 90% @ 40°C non-condensing	
Certification	CE	
Display		
Display type	15" TFT-LCD 4:3	
Max. resolution	1024 x 768	
Max. color	16,7 M	
Luminance (cd/m2)	500	
View Angle (H°/V°)	85 / 85 (H) 85 / 85 (V)	
Contrast	1500:1	
Touch Screen		
Type	Projected Capacitive / Resistive zero bezel	
Interface	USB	
Light transmission	Projected Capacitive: 90% / Resistive: 80%	
Mechanical		
Construction	Aluminum front bezel / INOX 316 (optional)	
IP rating	IP 66	
Mounting	Panel mounting	
Dimension (mm)	425 x 330 x 81	
Net weight	7 Kg	
Supported Operating System		
Windows®	Windows® 7 PRO, 7 Ultimate, WS7E, WS7P, 10 PRO, 10 IoT / Linux	Windows® 10 PRO, 10 IoT / Linux
Ordering Information		
Models	SLIM-815PJ (Projected Capacitive) SLIM-815RJ (Resistive zero bezel)	SLIM-815PN (Projected Capacitive) SLIM-815RN (Resistive zero bezel)



J1900

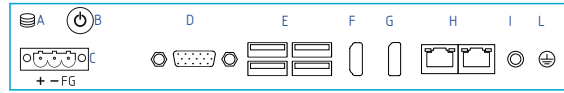


- A: HD
- B: POWER BUTTON
- C: DC INPUT 9-36V
- D: DP
- E: VGA
- F: USB
- G: LAN 1/2
- H: LINE OUT
- I: GROUNDING

SLIM 8 15 X J

- PC series
- class number
- display size
- touch screen
- processor
- (P)Capacitive
- (R)Resistive

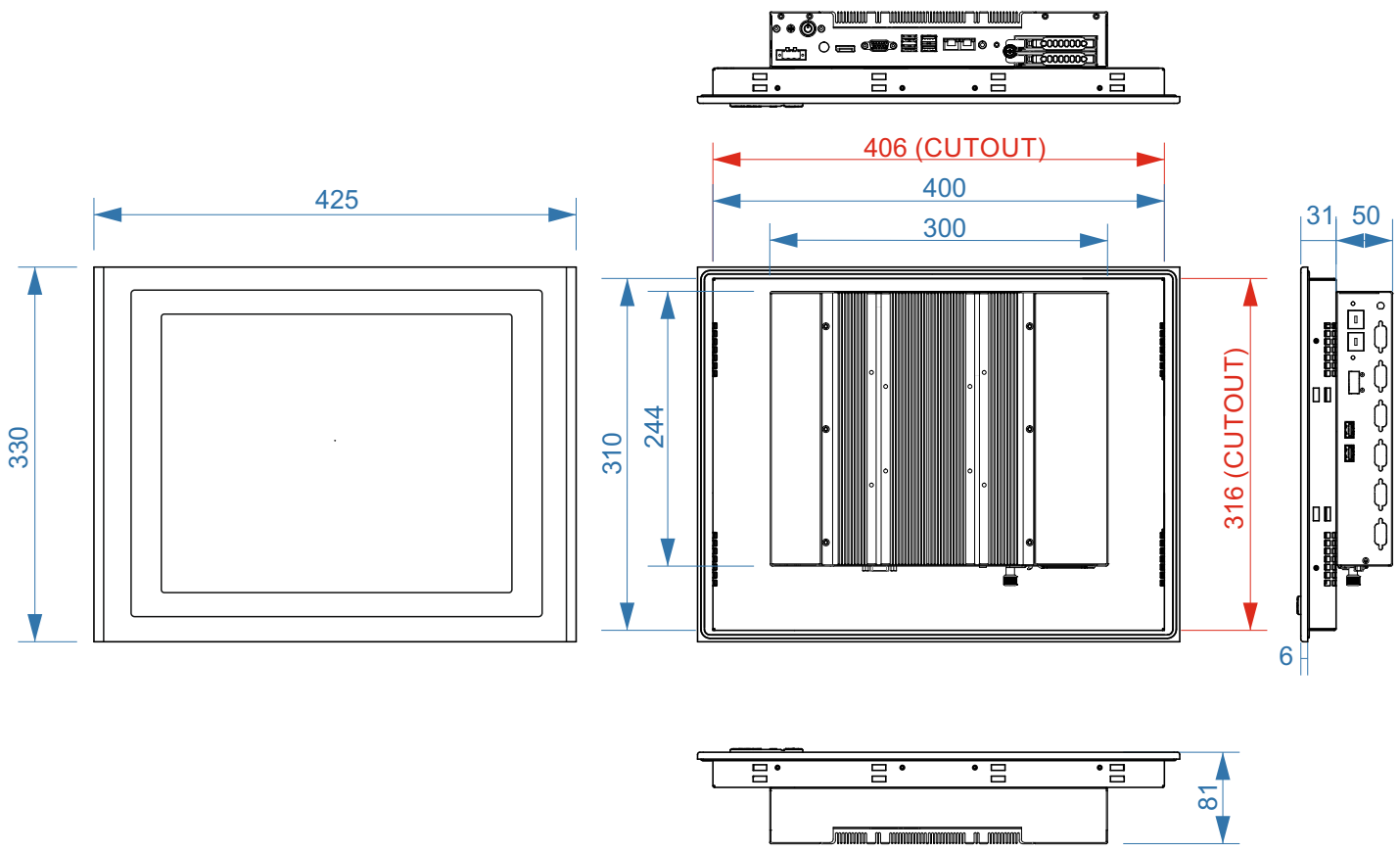
N4200



- A: HD
- B: POWER BUTTON
- C: DC INPUT 9-36V
- D: VGA
- E: USB 3.0
- F: HDMI
- G: DP
- H: LAN 1/2
- I: LINE OUT
- L: GROUNDING

SLIM 8 15 X N

- PC series
- class number
- display size
- touch screen
- processor
- (P)Capacitive
- (R)Resistive



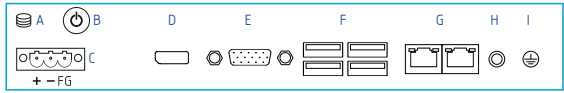
SLIM-817



Model N°	SLIM-817XJ	SLIM-817XN
System		
CPU	Intel® Celeron™ J1900 Processor (2.0GHz)	Intel® Pentium™ N4200 Processor (2.5GHz)
Memory Type	Dual Channel DDR3L 1066/1333MHz SDRAM 4/8GB	Dual Channel DDR3L 1866MHz SDRAM 4/8/16GB
Ethernet	GbE LAN1: Realtek 8111E; LAN2: Realtek 8111E	GbE LAN1: Realtek 8111G; LAN2: Realtek 8111G
I/O		
Serial	5x RS232, 1x RS232/422/485	
USB	1 USB 3.0 + 5 USB 2.0	4 USB 3.0 + 2 USB 2.0
Audio	1 (Mic-in or Line-out)	1, converts in Mic-in or Line-out (by default)
Graphics	1x VGA, 1x DP	1x VGA, 1x HDMI, 1x DP
Ethernet	2x RJ45	
Storage Space		
HDD	2x 2,5" SATA3 easily accessible design	
M2	/	1 (type: 2230)
Expansion Slot		
Mini-PCIe	1, F/S Mini-PCIe slot (with mSATA supported)	
Environment		
Operating Temperature	0 ~ 50°C	
Storage Temperature	-30 ~ 70°C	
Storage Humidity	10 to 90% @ 40°C non-condensing	
Certification	CE	
Display		
Display type	17" TFT-LCD 4:3	
Max. resolution	1280 x 1024	
Max. color	16,7 M	
Luminance (cd/m2)	350	
View Angle (H°/V°)	80 / 80 (H) 60 / 80 (V)	
Contrast	800:1	
Touch Screen		
Type	Projected Capacitive / Resistive zero bezel	
Interface	USB	
Light transmission	Projected Capacitive: 90% / Resistive: 80%	
Mechanical		
Construction	Aluminum front bezel / INOX 316 (optional)	
IP rating	IP 66	
Mounting	Panel mounting	
Dimension (mm)	452 x 356 x 81	
Net weight	7 Kg	
Supported Operating System		
Windows®	Windows® 7 PRO, 7 Ultimate, WS7E, WS7P, 10 PRO, 10 IoT / Linux	Windows® 10 PRO, 10 IoT / Linux
Ordering Information		
Models	SLIM-817PJ (Projected Capacitive) SLIM-817RJ (Resistive zero bezel)	SLIM-817PN (Projected Capacitive) SLIM-817RN (Resistive zero bezel)



J1900

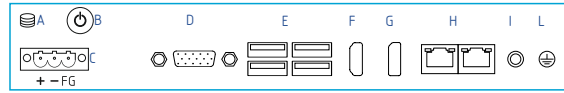


- A: HD
- B: POWER BUTTON
- C: DC INPUT 9-36V
- D: DP
- E: VGA
- F: USB
- G: LAN 1/2
- H: LINE OUT
- I: GROUNDING

SLIM 8 17 X J

- PC series
- class number
- display size
- touch screen
- processor
- (P)Capacitive
- (R)Resistive

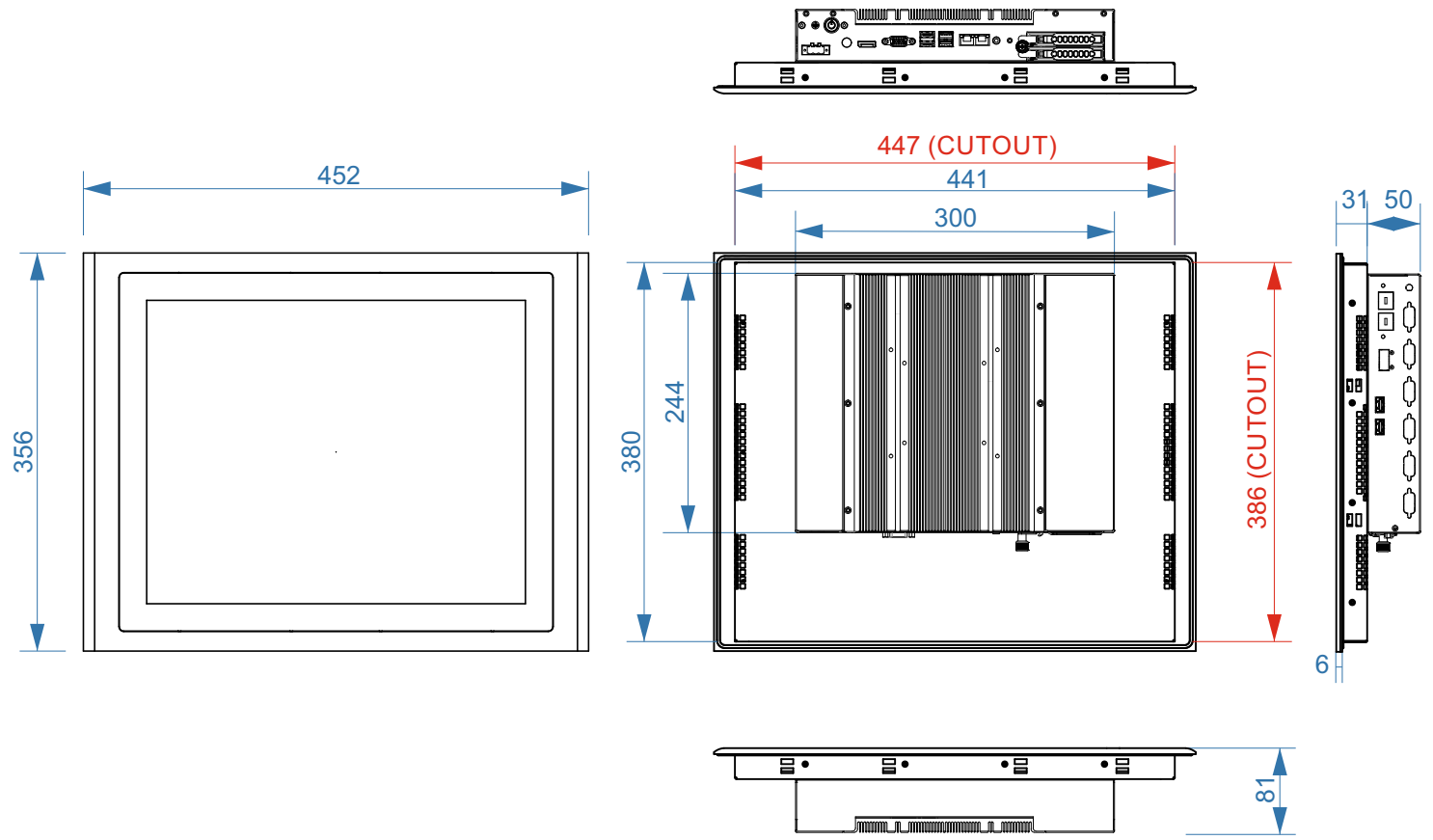
N4200



- A: HD
- B: POWER BUTTON
- C: DC INPUT 9-36V
- D: VGA
- E: USB 3.0
- F: HDMI
- G: DP
- H: LAN 1/2
- I: LINE OUT
- L: GROUNDING

SLIM 8 17 X N

- PC series
- class number
- display size
- touch screen
- processor
- (P)Capacitive
- (R)Resistive



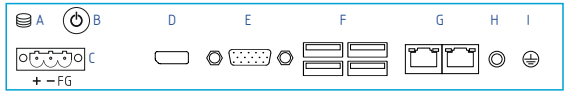
SLIM-818



Model N°	SLIM-818XJ	SLIM-818XN
System		
CPU	Intel® Celeron™ J1900 Processor (2.0GHz)	Intel® Pentium™ N4200 Processor (2.5GHz)
Memory Type	Dual Channel DDR3L 1066/1333MHz SDRAM 4/8GB	Dual Channel DDR3L 1866MHz SDRAM 4/8/16GB
Ethernet	GbE LAN1: Realtek 8111E; LAN2: Realtek 8111E	GbE LAN1: Realtek 8111G; LAN2: Realtek 8111G
I/O		
Serial	5x RS232, 1x RS232/422/485	
USB	1 USB 3.0 + 5 USB 2.0	4 USB 3.0 + 2 USB 2.0
Audio	1 (Mic-in or Line-out)	1, converts in Mic-in or Line-out (by default)
Graphics	1x VGA, 1x DP	1x VGA, 1x HDMI, 1x DP
Ethernet	2x RJ45	
Storage Space		
HDD	2x 2,5" SATA3 easily accessible design	
M2	/	1 (type: 2230)
Expansion Slot		
Mini-PCIe	1, F/S Mini-PCIe slot (with mSATA supported)	
Environment		
Operating Temperature	0 ~ 50°C	
Storage Temperature	-30 ~ 70°C	
Storage Humidity	10 to 90% @ 40°C non-condensing	
Certification	CE	
Display		
Display type	18.5" TFT-LCD 16:9	
Max. resolution	1366 x 768 / 1920 x 1080 (optional for H version)	
Max. color	16,7 M	
Luminance (cd/m2)	300	
View Angle (H°/V°)	85 / 85 (H) 80 / 80 (V)	
Contrast	1000:1	
Touch Screen		
Type	Projected Capacitive / Resistive zero bezel	
Interface	USB	
Light transmission	Projected Capacitive: 90% / Resistive: 80%	
Mechanical		
Construction	Aluminum front bezel / INOX 316 (optional)	
IP rating	IP 66	
Mounting	Panel mounting	
Dimension (mm)	536 x 380 x 81	
Net weight	7.5 Kg	
Supported Operating System		
Windows®	Windows® 7 PRO, 7 Ultimate, WS7E, WS7P, 10 PRO, 10 IoT / Linux	Windows® 10 PRO, 10 IoT / Linux
Ordering Information		
Models	SLIM-818PJ / 818HPJ (Projected Capacitive) SLIM-818RJ / 818HRJ (Resistive zero bezel)	SLIM-818PN / 818HPN (Projected Capacitive) SLIM-818RN / 818HRN (Resistive zero bezel)



J1900

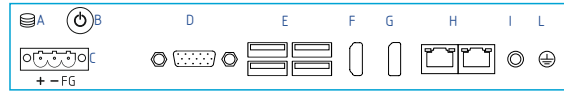


- A: HD
- B: POWER BUTTON
- C: DC INPUT 9-36V
- D: DP
- E: VGA
- F: USB
- G: LAN 1/2
- H: LINE OUT
- I: GROUNDING

SLIM 8 18 H X J

- PC series
- serial number
- display size
- resolution
- touch screen
- processor
- (P)Capacitive
- (R)Resistive

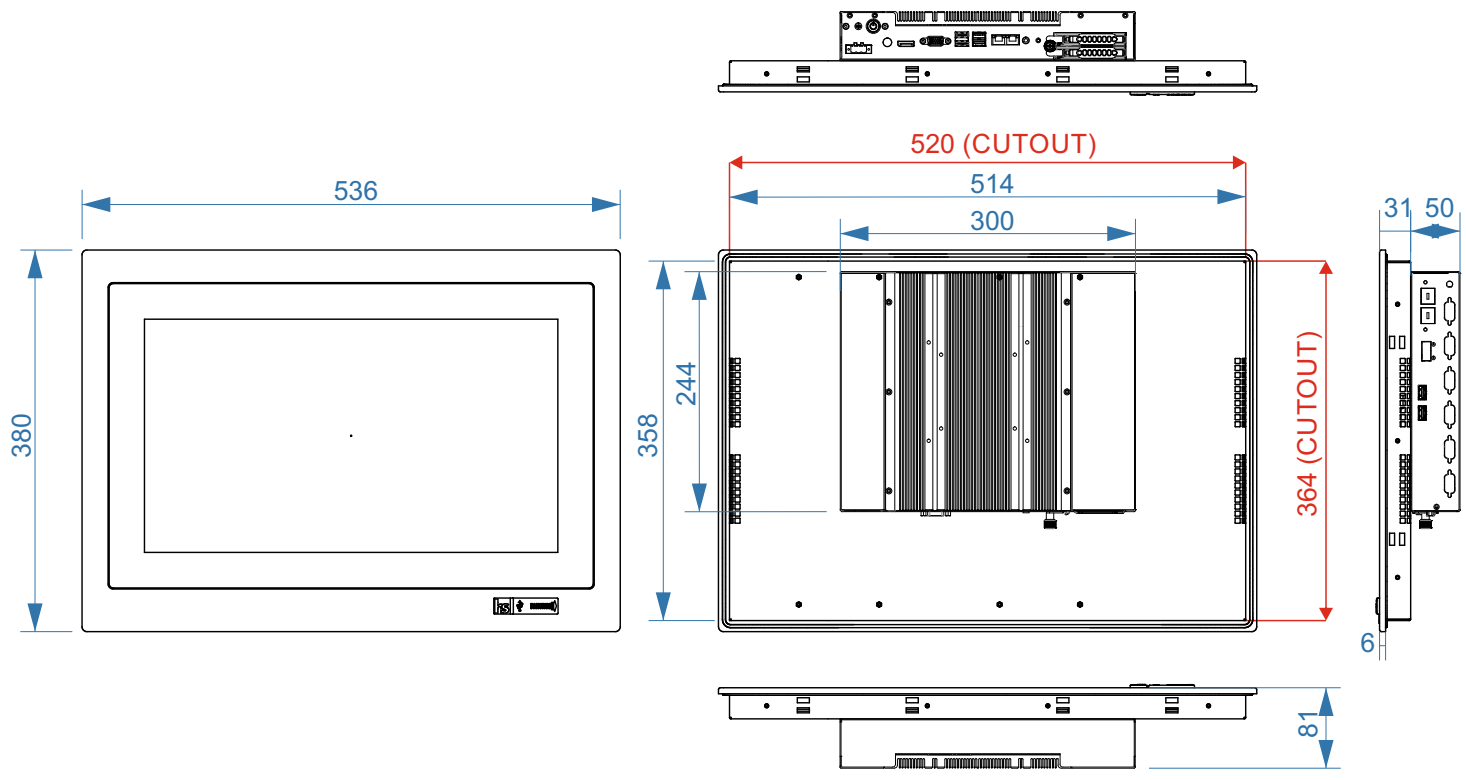
N4200



- A: HD
- B: POWER BUTTON
- C: DC INPUT 9-36V
- D: VGA
- E: USB 3.0
- F: HDMI
- G: DP
- H: LAN 1/2
- I: LINE OUT
- L: GROUNDING

SLIM 8 18 H X N

- PC series
- serial number
- display size
- resolution
- touch screen
- processor
- (P)Capacitive
- (R)Resistive



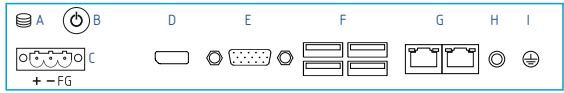
SLIM-819



Model N°	SLIM-819XJ	SLIM-819XN
System		
CPU	Intel® Celeron™ J1900 Processor (2.0GHz)	Intel® Pentium™ N4200 Processor (2.5GHz)
Memory Type	Dual Channel DDR3L 1066/1333MHz SDRAM 4/8GB	Dual Channel DDR3L 1866MHz SDRAM 4/8/16GB
Ethernet	GbE LAN1: Realtek 8111E; LAN2: Realtek 8111E	GbE LAN1: Realtek 8111G; LAN2: Realtek 8111G
I/O		
Serial	5x RS232, 1x RS232/422/485	
USB	1 USB 3.0 + 5 USB 2.0	4 USB 3.0 + 2 USB 2.0
Audio	1 (Mic-in or Line-out)	1, converts in Mic-in or Line-out (by default)
Graphics	1x VGA, 1x DP	1x VGA, 1x HDMI, 1x DP
Ethernet	2x RJ45	
Storage Space		
HDD	2x 2,5" SATA3 easily accessible design	
M2	/	1 (type: 2230)
Expansion Slot		
Mini-PCIe	1, F/S Mini-PCIe slot (with mSATA supported)	
Environment		
Operating Temperature	0 ~ 50°C	
Storage Temperature	-30 ~ 70°C	
Storage Humidity	10 to 90% @ 40°C non-condensing	
Certification	CE	
Display		
Display type	19" TFT-LCD 4:3	
Max. resolution	1280 x 1024	
Max. color	16,7 M	
Luminance (cd/m2)	350	
View Angle (H°/V°)	85 / 85 (H) 80 / 80 (V)	
Contrast	1000:1	
Touch Screen		
Type	Projected Capacitive / Resistive zero bezel	
Interface	USB	
Light transmission	Projected Capacitive: 90% / Resistive: 80%	
Mechanical		
Construction	Aluminum front bezel / INOX 316 (optional)	
IP rating	IP 66	
Mounting	Panel mounting	
Dimension (mm)	483 x 399 x 81	
Net weight	7.5 Kg	
Supported Operating System		
Windows®	Windows® 7 PRO, 7 Ultimate, WS7E, WS7P, 10 PRO, 10 IoT / Linux	Windows® 10 PRO, 10 IoT / Linux
Ordering Information		
Models	SLIM-819PJ (Projected Capacitive) SLIM-819RJ (Resistive zero bezel)	SLIM-819PN (Projected Capacitive) SLIM-819RN (Resistive zero bezel)



J1900

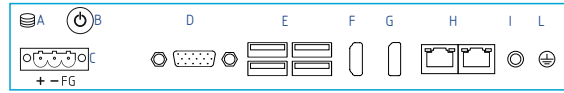


- A: HD
- B: POWER BUTTON
- C: DC INPUT 9-36V
- D: DP
- E: VGA
- F: USB
- G: LAN 1/2
- H: LINE OUT
- I: GROUNDING

SLIM 8 19 X J

- PC series
- class number
- display size
- touch screen
- processor
- (P)Capacitive
- (R)Resistive

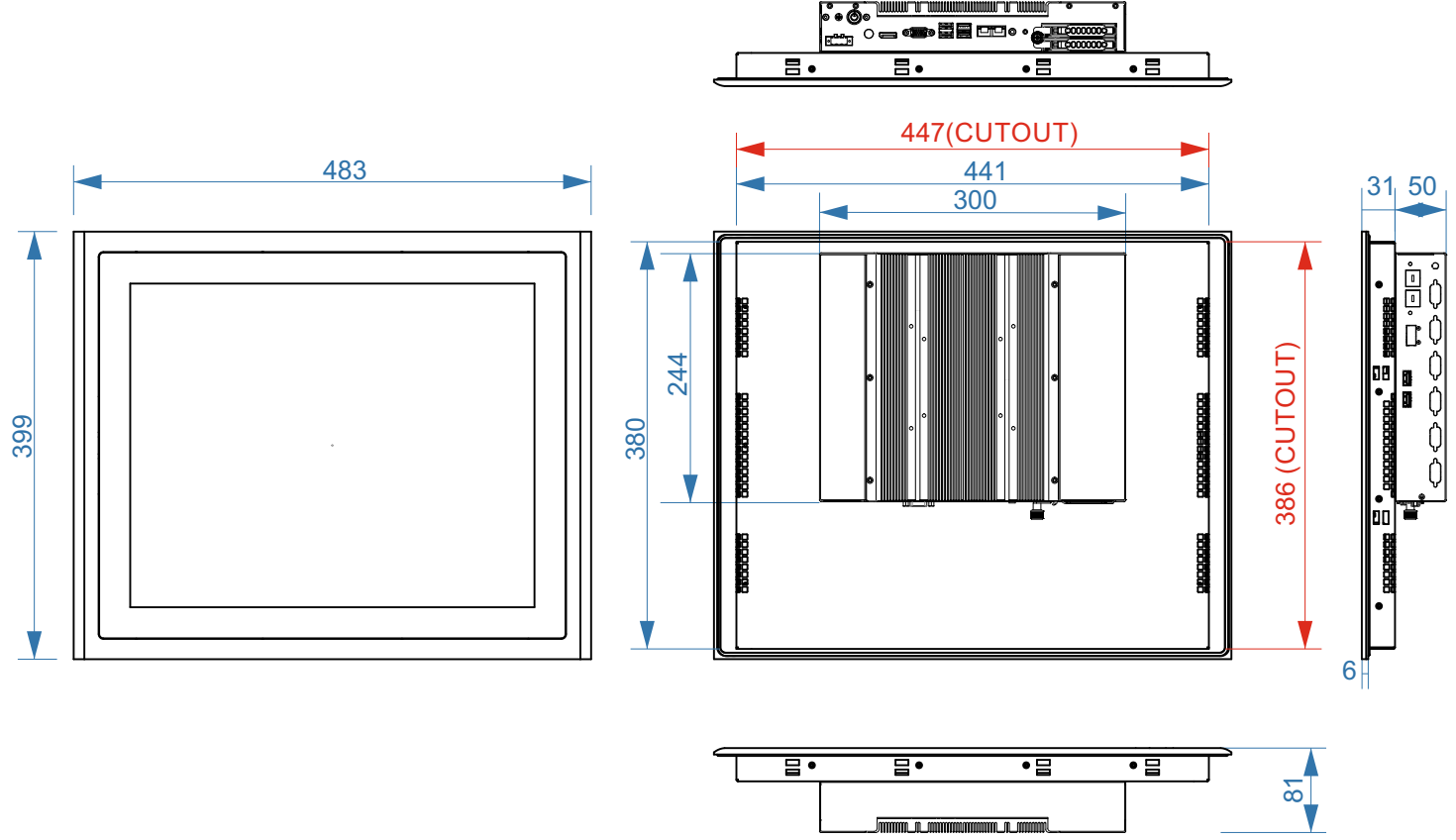
N4200



- A: HD
- B: POWER BUTTON
- C: DC INPUT 9-36V
- D: VGA
- E: USB 3.0
- F: HDMI
- G: DP
- H: LAN 1/2
- I: LINE OUT
- L: GROUNDING

SLIM 8 19 X N

- PC series
- class number
- display size
- touch screen
- processor
- (P)Capacitive
- (R)Resistive



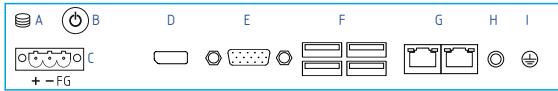
SLIM-821



Model N°	SLIM-821XJ	SLIM-821XN
System		
CPU	Intel® Celeron™ J1900 Processor (2.0GHz)	Intel® Pentium™ N4200 Processor (2.5GHz)
Memory Type	Dual Channel DDR3L 1066/1333MHz SDRAM 4/8GB	Dual Channel DDR3L 1866MHz SDRAM 4/8/16GB
Ethernet	GbE LAN1: Realtek 8111E; LAN2: Realtek 8111E	GbE LAN1: Realtek 8111G; LAN2: Realtek 8111G
I/O		
Serial	5x RS232, 1x RS232/422/485	
USB	1 USB 3.0 + 5 USB 2.0	4 USB 3.0 + 2 USB 2.0
Audio	1 (Mic-in or Line-out)	1, converts in Mic-in or Line-out (by default)
Graphics	1x VGA, 1x DP	1x VGA, 1x HDMI, 1x DP
Ethernet	2x RJ45	
Storage Space		
HDD	2x 2,5" SATA3 easily accessible design	
M2	/	1 (type: 2230)
Expansion Slot		
Mini-PCIe	1, F/S Mini-PCIe slot (with mSATA supported)	
Environment		
Operating Temperature	0 ~ 50°C	
Storage Temperature	-30 ~ 70°C	
Storage Humidity	10 to 90% @ 40°C non-condensing	
Certification	CE	
Display		
Display type	21.5" TFT-LCD 16:9	
Max. resolution	1920 x 1080	
Max. color	16,7 M	
Luminance (cd/m2)	300	
View Angle (H°/V°)	89 / 89 (H) 89 / 89 (V)	
Contrast	5000:1	
Touch Screen		
Type	Projected Capacitive / Resistive zero bezel	
Interface	USB	
Light transmission	Projected Capacitive: 90% / Resistive: 80%	
Mechanical		
Construction	Aluminum front bezel / INOX 316 (optional)	
IP rating	IP 66	
Mounting	Panel mounting	
Dimension (mm)	572 x 396 x 86	
Net weight	8 Kg	
Supported Operating System		
Windows®	Windows® 7 PRO, 7 Ultimate, WS7E, WS7P, 10 PRO, 10 IoT / Linux	Windows® 10 PRO, 10 IoT / Linux
Ordering Information		
Models	SLIM-821HPJ (Projected Capacitive) SLIM-821HRJ (Resistive zero bezel)	SLIM-821HPN (Projected Capacitive) SLIM-821HRN (Resistive zero bezel)



J1900

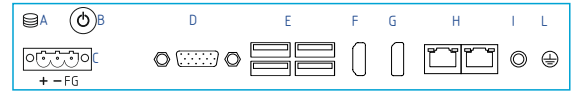


- A: HD
- B: POWER BUTTON
- C: DC INPUT 9-36V
- D: DP
- E: VGA
- F: USB
- G: LAN 1/2
- H: LINE OUT
- I: GROUNDING

SLIM 8 21 X J

- PC series
- class number
- display size
- touch screen
- processor
- (P)Capacitive
- (R)Resistive

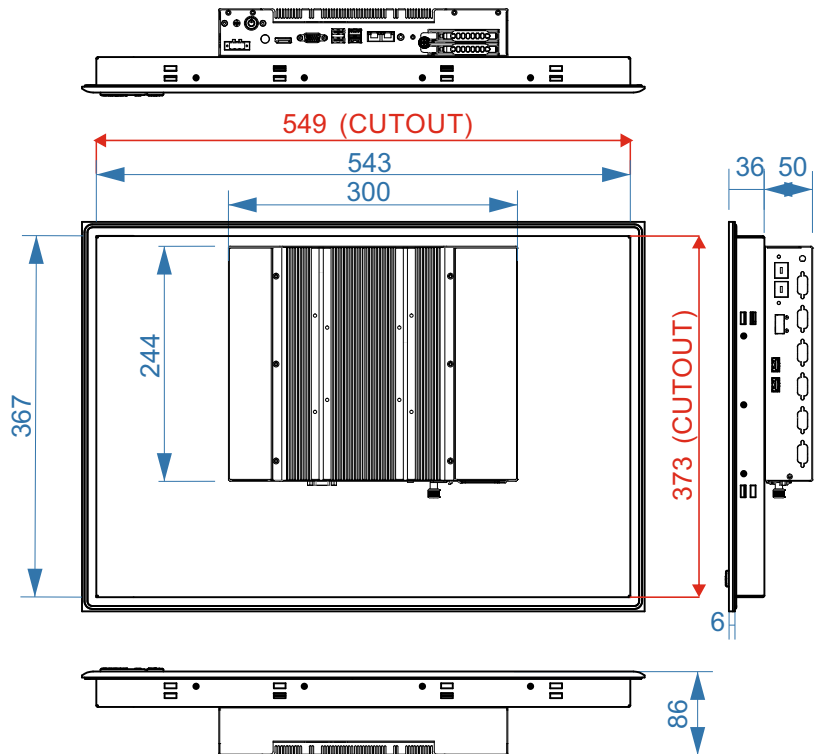
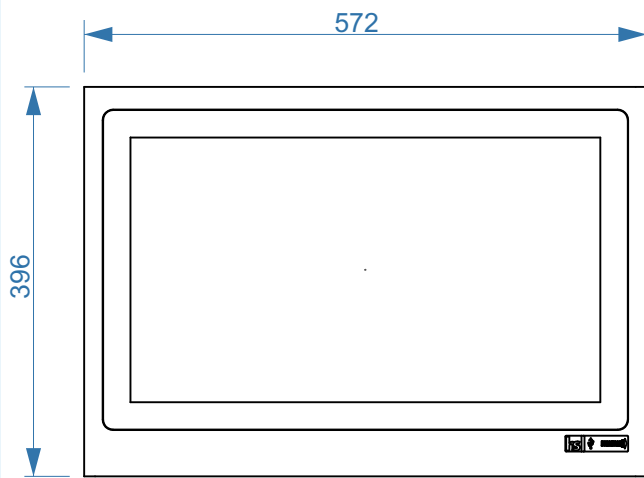
N4200



- A: HD
- B: POWER BUTTON
- C: DC INPUT 9-36V
- D: VGA
- E: USB 3.0
- F: HDMI
- G: DP
- H: LAN 1/2
- I: LINE OUT
- L: GROUNDING

SLIM 8 21 X N

- PC series
- class number
- display size
- touch screen
- processor
- (P)Capacitive
- (R)Resistive



catalogue

SLIM 8XX



2018

 Intel® Celeron™ J1900

 Intel® Pentium™ N4200



www.hardware-solutions.it

Via Ghiarola Vecchia, 32 - 41042 Fiorano Modenese (MO) - Italy

Tel +39 0536 830620 - Fax +39 0536 831215

e-mail: info@hardware-solutions.it