

# Frameless Bezel Installation Guide

## Safety

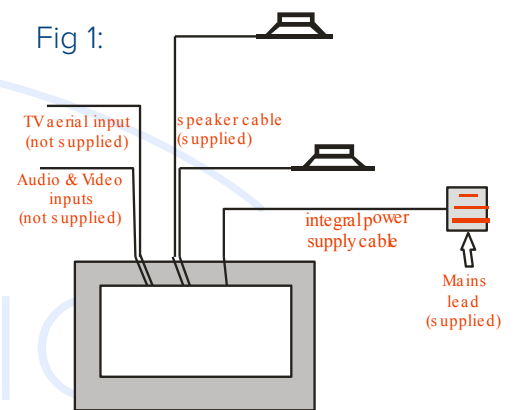
Aquavision recommends that installation be carried out by a qualified installer. Ensure that the latest local wiring and safety regulations are adhered during install. Your Aquavision will be powered by a 12 or 24V DC power supply. This must be positioned away from any water source. Observe the correct safety zones within the bathroom/wet zone. The Classic Bezel and optional back box must be earthed. The bezel is to be mounted on a vertical wall only and not on sloping wall or ceiling.

**IF IN DOUBT REFER TO A QUALIFIED PERSON. THIS APPLIANCE AND THE BEZEL MUST BE EARTHED**

## Classic Bezel install, cable feed & waterproofing

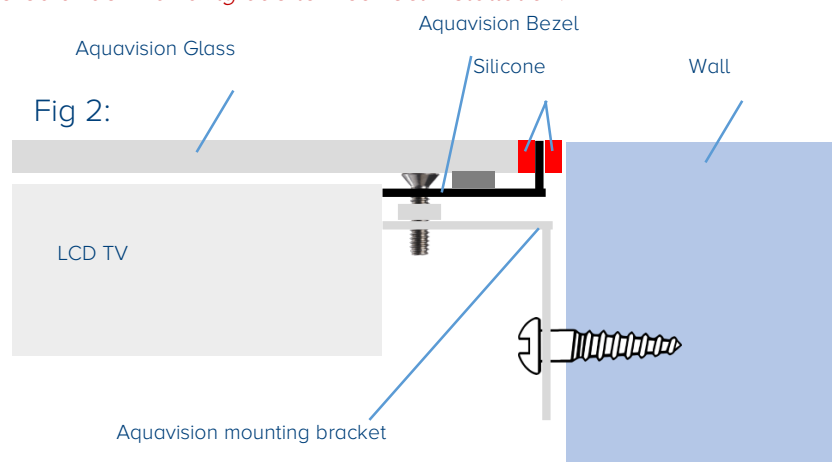
- Once the position of the Aquavision has been defined make a cut out according to the dimensions in the table below. Ensure the wall is now finished (tiled/painted etc.) Tiles must run right up to the edge of the cut out.
- Fit the 2 mounting brackets supplied to the Bezel using the screws provided.
- Apply a generous bead of clear silicone to the outside edge of the Bezel. This creates a waterproof seal between mounting surface and Bezel. **Failure to do this will prevent you Aquavision from being waterproofed.** See figure 2
- Offer the Bezel up to the hole you cut earlier, ensuring to observe the correct orientation (Bezels with arrows face upwards, Bezels without arrows are not orientation dependant)
- Secure the Bezel using screws on the inside edge of the brackets. Once fitted the Bezel should be able to withstand a pull force of 100Kg.
- Wipe away any excess silicone.
- Run all cables supplied and any additional input cables as shown in figure 1. Ensure there is enough slack on the cables as this will make connecting the TV easier. Do not extend/shorten the power supply cable as this will invalidate you warranty and potentially damage the TV.
- The Bezel is now ready to accommodate the TV and Classic Glass components. The instructions for fitting these items are provided separately.

Fig 1:



**IMPORTANT:** Failure to follow these instructions thoroughly will prevent the Aquavision TV from being properly waterproofed. Water damaged TV's are not covered under warranty due to incorrect installation.

Screen Details	22"	27"
Screen Size	21.6"	27"
Overall/Cut-Out Size	395 x 560mm 15 <sup>5</sup> / <sub>8</sub> " x 22 <sup>1</sup> / <sub>8</sub> "	476 x 706mm 18 <sup>3</sup> / <sub>4</sub> " x 27 <sup>7</sup> / <sub>8</sub> "
Screen Depth	45mm 1 <sup>7</sup> / <sub>8</sub> "	45mm 1 <sup>7</sup> / <sub>8</sub> "



**HEAD OFFICE AND FACTORY**  
Aquavision  
Unit 7 Riverpark, Billet Lane  
Berkhamsted, Hertfordshire  
HP4 1HL  
United Kingdom  
+44 [0]1442 872665

**AMERICAN OFFICE**  
Aquavision, Inc.  
#197  
5 Southside Drive, Suite 11  
Clifton Park, NY 12065  
America  
+1 800 524 1804



sales@aquavision.tv  
sales@aquavision.us

www.aquavision.tv  
www.aquavision.us