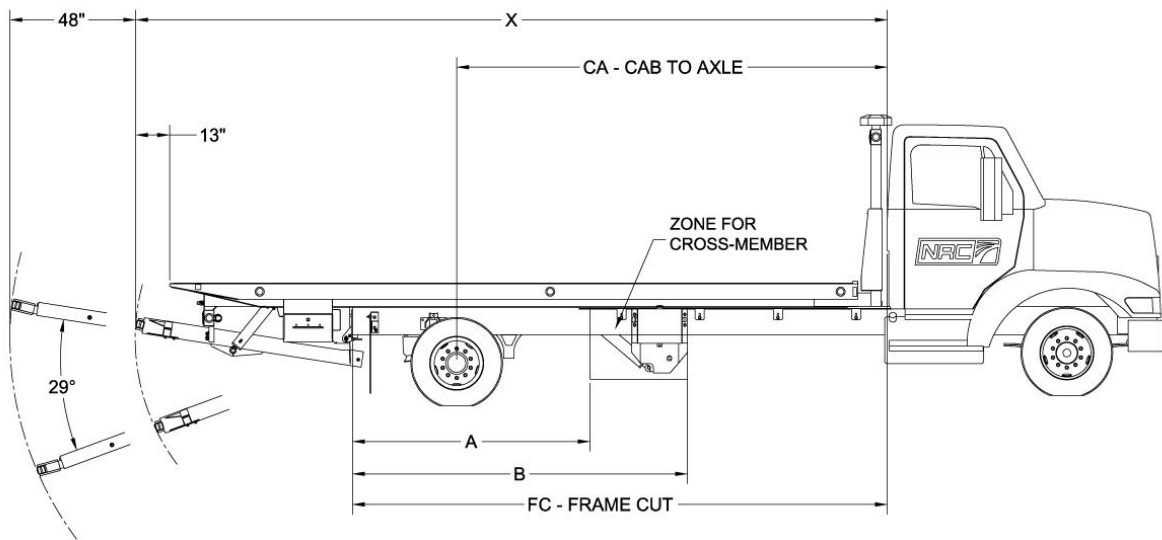


TECHNICAL DRAWING



Title: 20,000TB CARRIER DIMENSIONS SPECIFICATION
Equipment: 20,000TB CARRIER MODEL "C", SINGLE & TANDEM
Released: November 17, 2009 **Revised:** November 18, 2013





RECOMMENDED CA FOR CARRIER

Deck length (feet)	A	B	Model "C", Single		Model "C", Tandem		X
			CA	Frame cut	CA	Frame cut	
20	73	125.25	144	177	N.A.	N.A.	264
20 1/2	73	125.25	150	183	N.A.	N.A.	270
21	73	125.25	153	189	N.A.	N.A.	276
21 1/2	73	125.25	159	195	N.A.	N.A.	282
22	73	125.25	162	201	N.A.	N.A.	288
22 1/2	73	125.25	168	207	N.A.	N.A.	294
23	73	125.25	171	213	N.A.	N.A.	300
23 1/2	73	125.25	177	219	N.A.	N.A.	306
24	113	165.25	184	229	196	229	312
24 1/2	113	165.25	190	235	202	235	318
25	113	165.25	193	241	208	241	324
25 1/2	113	165.25	199	247	214	247	330
26	113	165.25	202	253	220	253	336
26 1/2	113	165.25	208	259	226	259	342
27	113	165.25	211	265	232	265	348
27 1/2	113	165.25	217	271	238	271	354
28	113	165.25	220	277	244	277	360
28 1/2	113	165.25	226	283	250	283	366

29	113	165.25	229	289	256	289	372
29 1/2	113	165.25	235	295	262	295	378
30	113	165.25	238	301	268	301	384
30 1/2	113	165.25	244	307	274	307	390

NRC Industries

2430 Principale Est, St-Paul d'Abbotsford, Québec, Canada, J0E 1A0

 Phone : +1 450 379 5796 Fax : +1 450 379 5995**Technical Drawing**

7990002_REV3

Copyright © 2009

Page 2 of 2