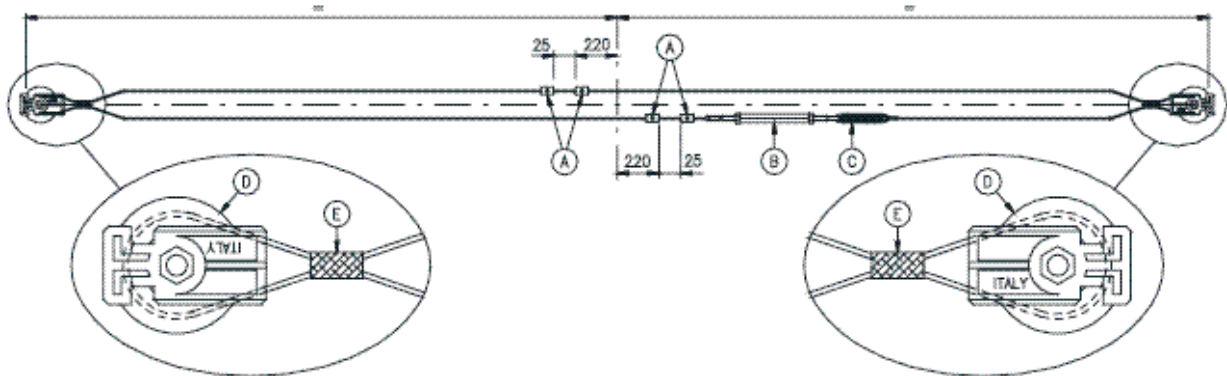


Simultaneous Kit for Double Base

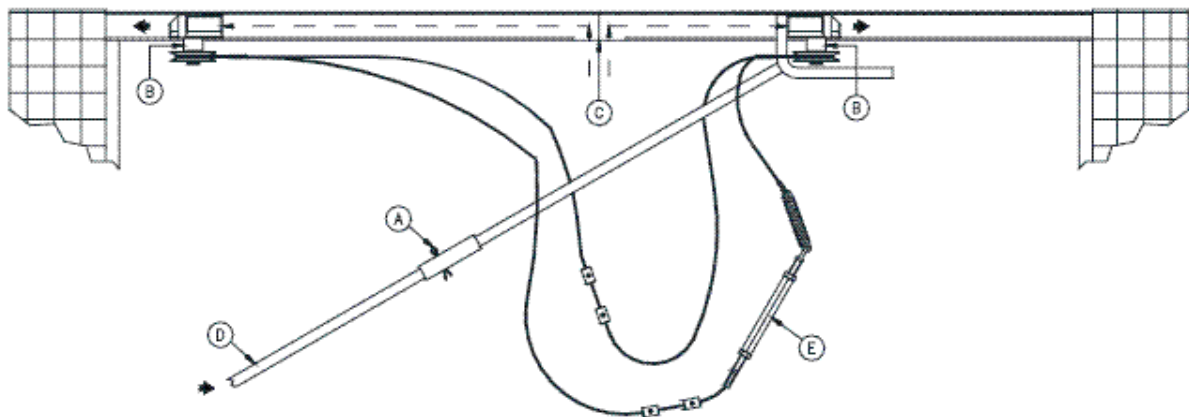


Installation Instructions

Lay out the components and assemble as illustrated: position the (A) Clips, the Cable-Tensioner (B) and the Cable Spring (C) following the symmetry in the diagram. Feed the cable around the Pulleys (D) and use a piece of adhesive tape (E) to hold in place.



Assemble the Installation Pole (D) from the two parts using the split pin (A). Insert one pulley through the centre space (C) in the track, being sure that the back of the Pulley (B) faces the pocket. Using the Installation Pole (D) push the Pulley to the back of the pocket until it clicks into position. **Making sure that the cables are not twisted or crossing each other**, repeat for the second pulley, into the opposite pocket. Adjust the Cable-Tensioner (E) to the lightest setting.



Fix the brackets (A) on the top of the doors – see (B) below. Hang the doors from the runners, and adjust accordingly. With the doors **centred** in the closed position, slot the cable into the brackets (A), fasten with screws (C), and tighten clips (D) (avoid over-tightening, as this will damage the cable). Adjust the Cable-Tensioner as necessary to fine tune the installation.

