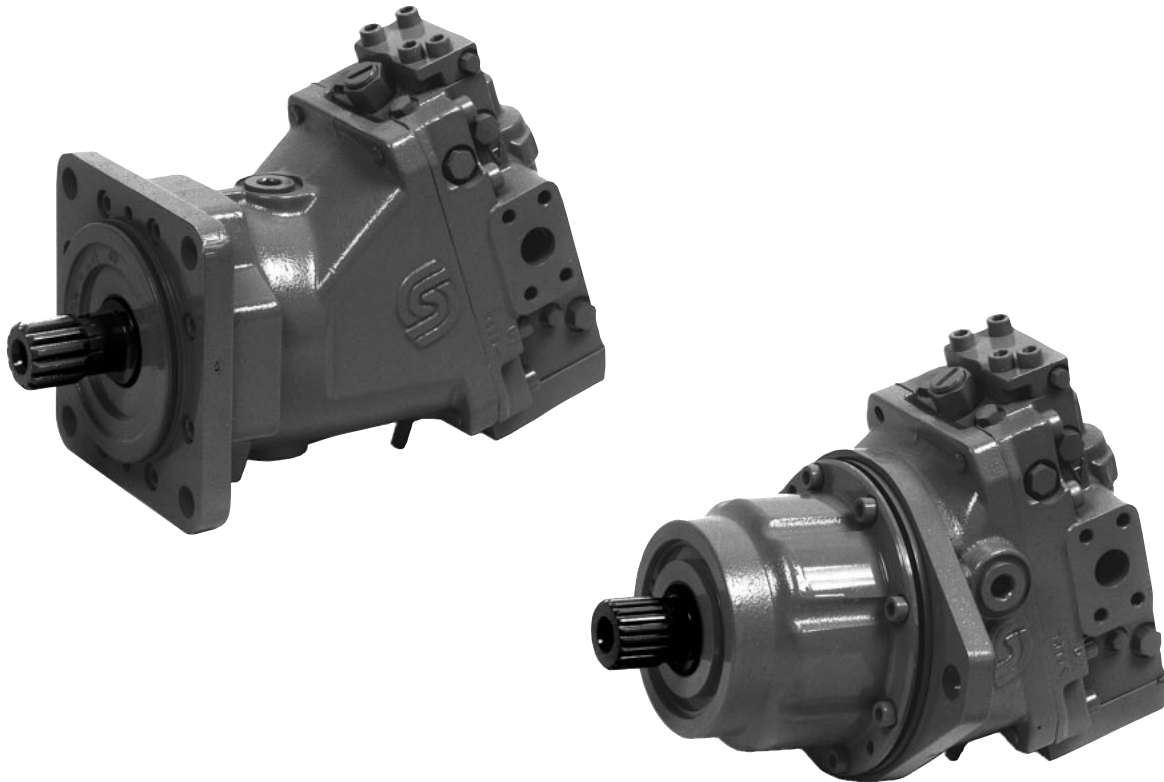

Series 51



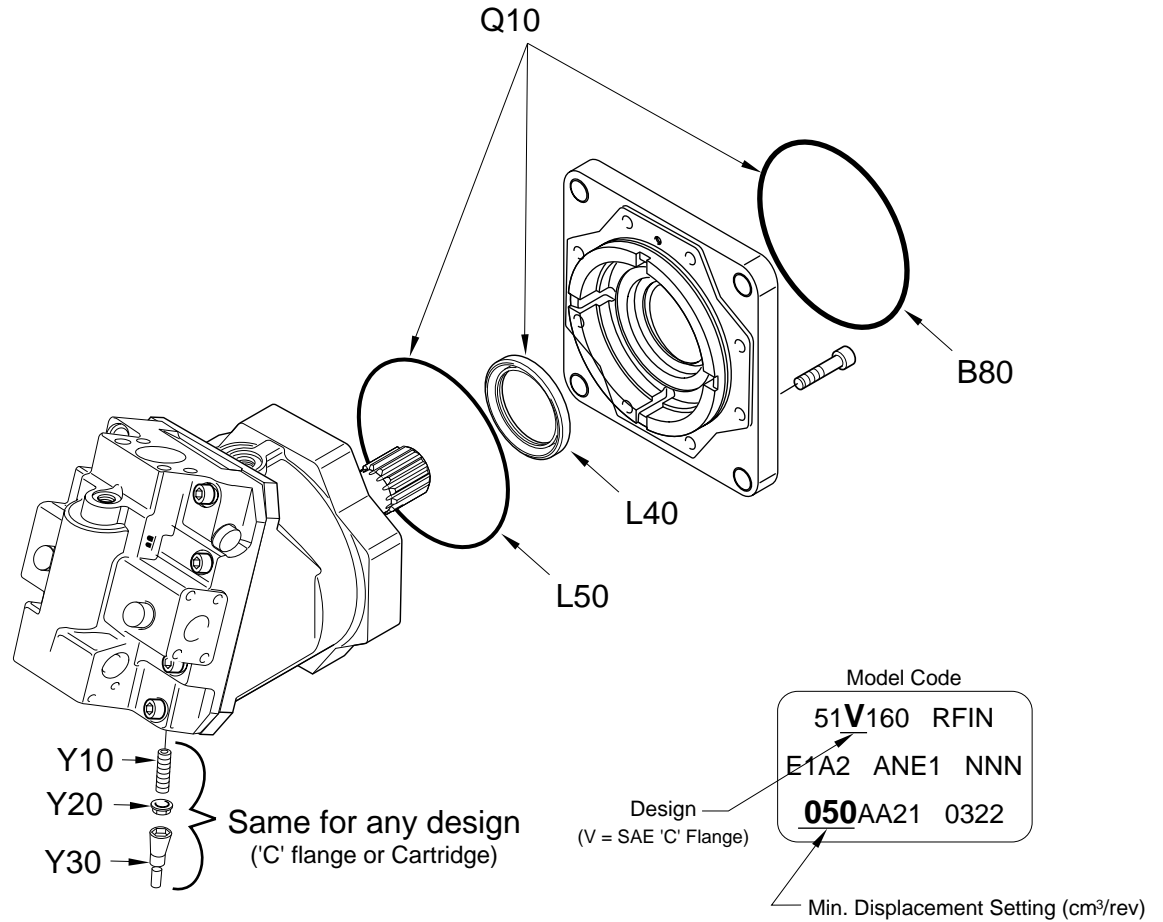
Variable Displacement Motor

Quick Reference

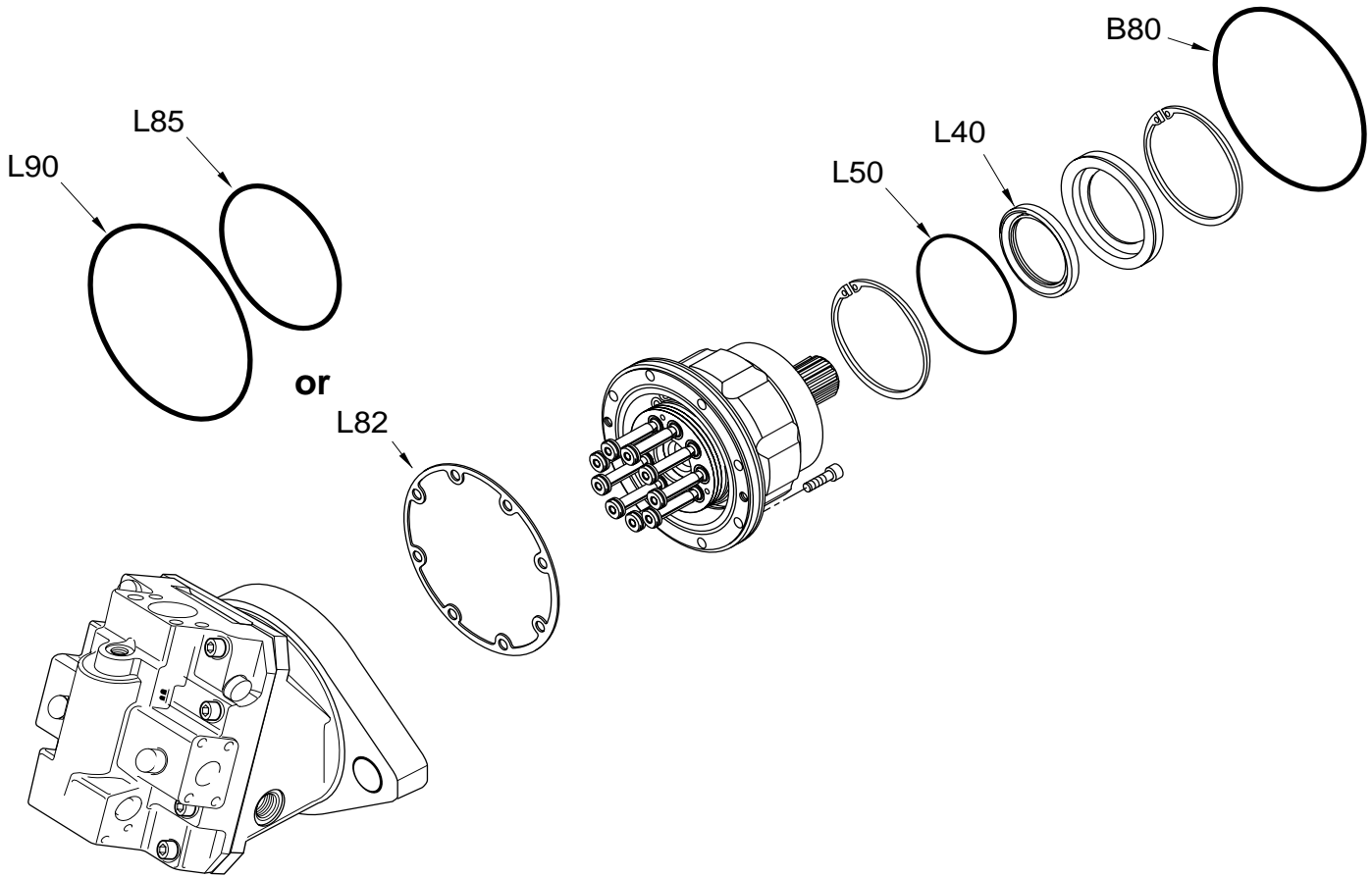
Service Parts



NOTES



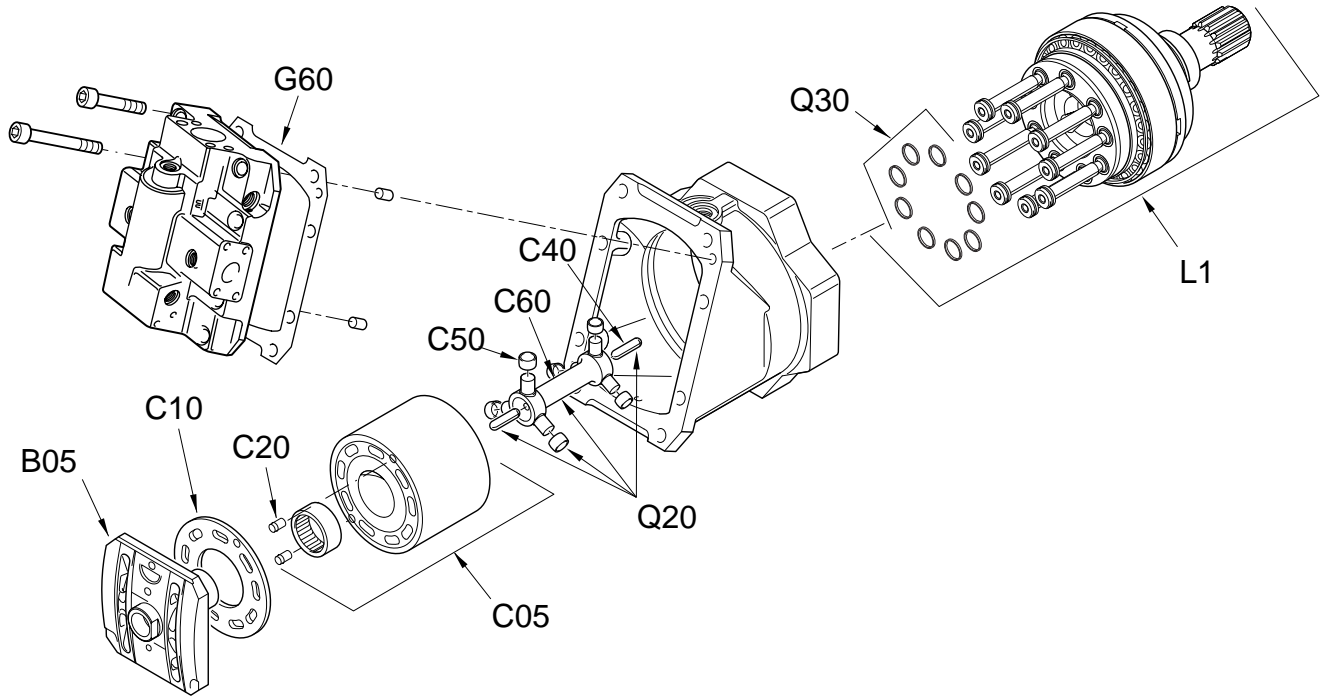
Item #	Description	060	080	110	160	250
Q10	Shaft Seal Kit	771618	771055	773184	776864	776872
B80	O-ring	930511	930511	729285	729285	729319
L40	Lip Seal	673525 (9008000-0114)	673525 (9008000-0114)	341735	341735	341735
L50	O-ring	917088	930511	717462	726927	916759
Y10	Set Screw	750638 12-30 cm ³ /rev	750638 10-35 cm ³ /rev	350090 (9007712-1217) 22-46 cm ³ /rev	750646 32-72 cm ³ /rev	750646 50-90 cm ³ /rev
		749556 (9007712-1018) 31-40 cm ³ /rev	749556 (9007712-1018) 36-54 cm ³ /rev	076109 (9007712-1218) 47-74 cm ³ /rev	749564 73-107 cm ³ /rev	749564 91-130 cm ³ /rev
		-	-	-	-	750653 131-168 cm ³ /rev
Y20	Seal Nut	042432	042432	076042 (9003509-0012)	076042 (9003509-0012)	076042 (9003509-0012)
Y30	Safety Cap (green)	770834	770834	770842	770842	770842



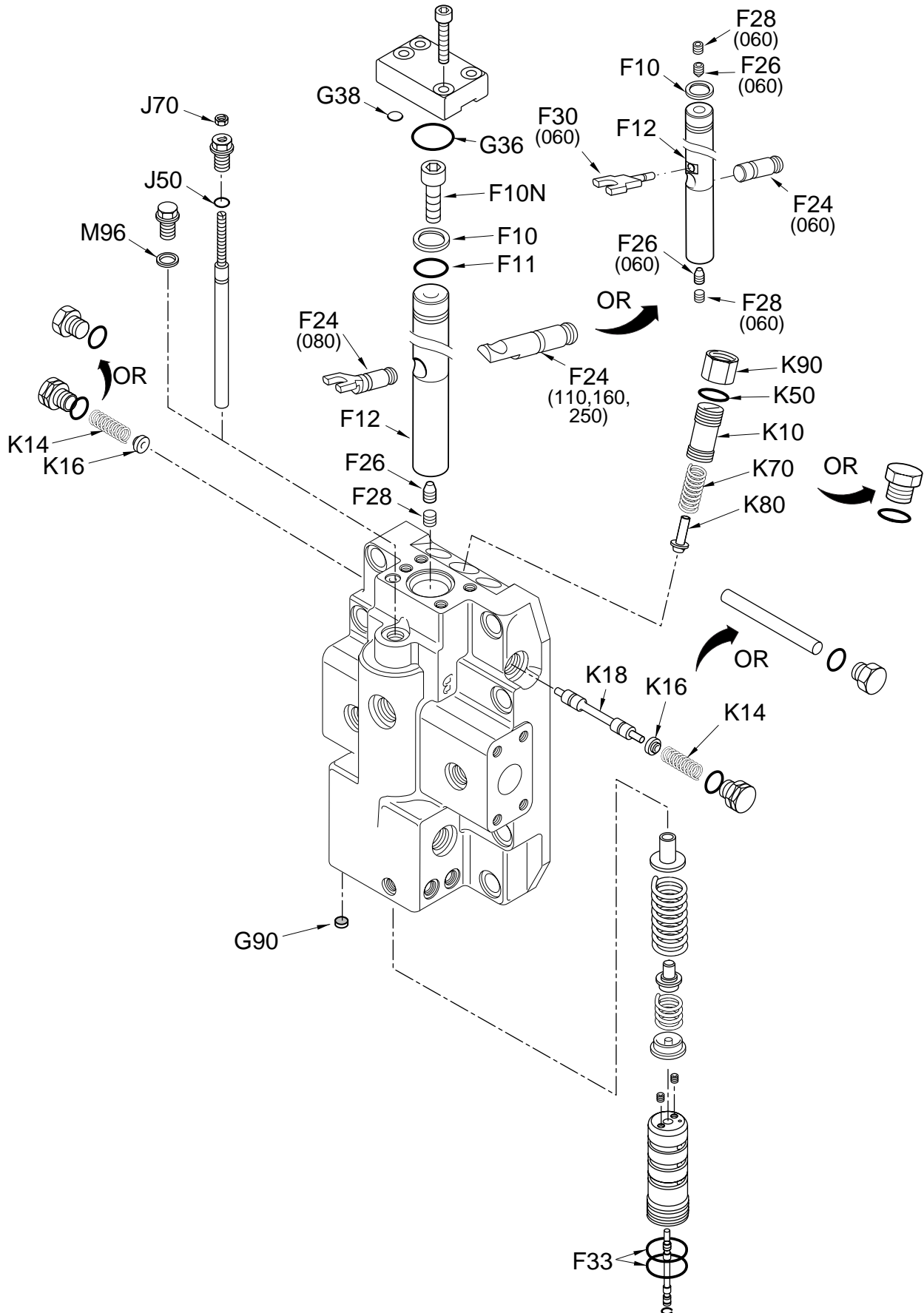
Model Code
51C160 RFIN
E1A2 ANE1 NNN
050AA21 0322

Design
 (C = Cartridge Motor)

Item #	Description	060	080	110	160	250
B80	O-ring	729319	502205	502206	083659	-
L40	Lip Seal	673525 (9008000-0114)	673525 (9008000-0114)	341735	341735	-
L50	O-ring	501879	501879	501880	501881	-
L82	Gasket	501019	501112	501113	-	-
L85	O-ring	729319	916759	502206	083659	-
L90	O-ring	502204	279570	502207	502208	-



Item #	Description	060	080	110	160	250
B05	Valve Segment	732701	360354	501349 (Ret. Sp)	500341 (Ret. Sp)	502561 (Ret. Sp)
C05	Cly. Block Assy.	732719	360362	355883	356113	367870
C10	Bearing Plate	357830	353474	341578	352476	364232
C20	Pin	353508	353508	358077	358077	364224
C40	Support Pin	357798	341602	341602	352427	364208
C50	Roller	357780	353441	348334	352443	364190
C60	Synch Shaft	357764	353433	341610	352435	364182
G60	End Cap Gasket	501198	501199	501200	501201	501202
L1	Shaft Assembly	732685 (14T)	722058 (14T)	725507 (13T)	720052 (13T)	720086 (15T)
Q20	Synch Shaft Kit	771675	771121	773267	776823	776831
Q30	Piston Ring Kit	771667	771162	773259	776849	776856



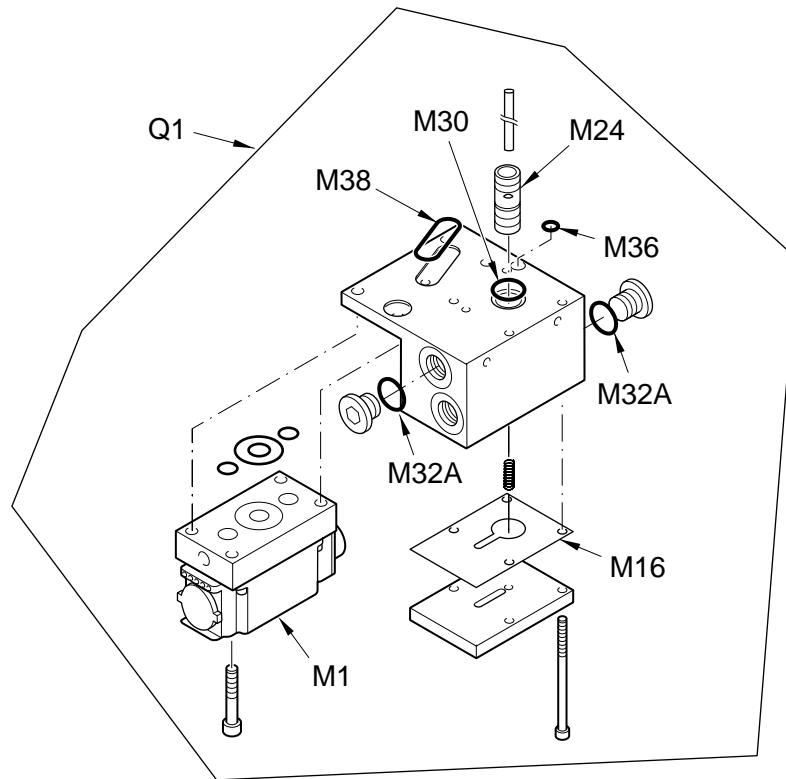


Model Code

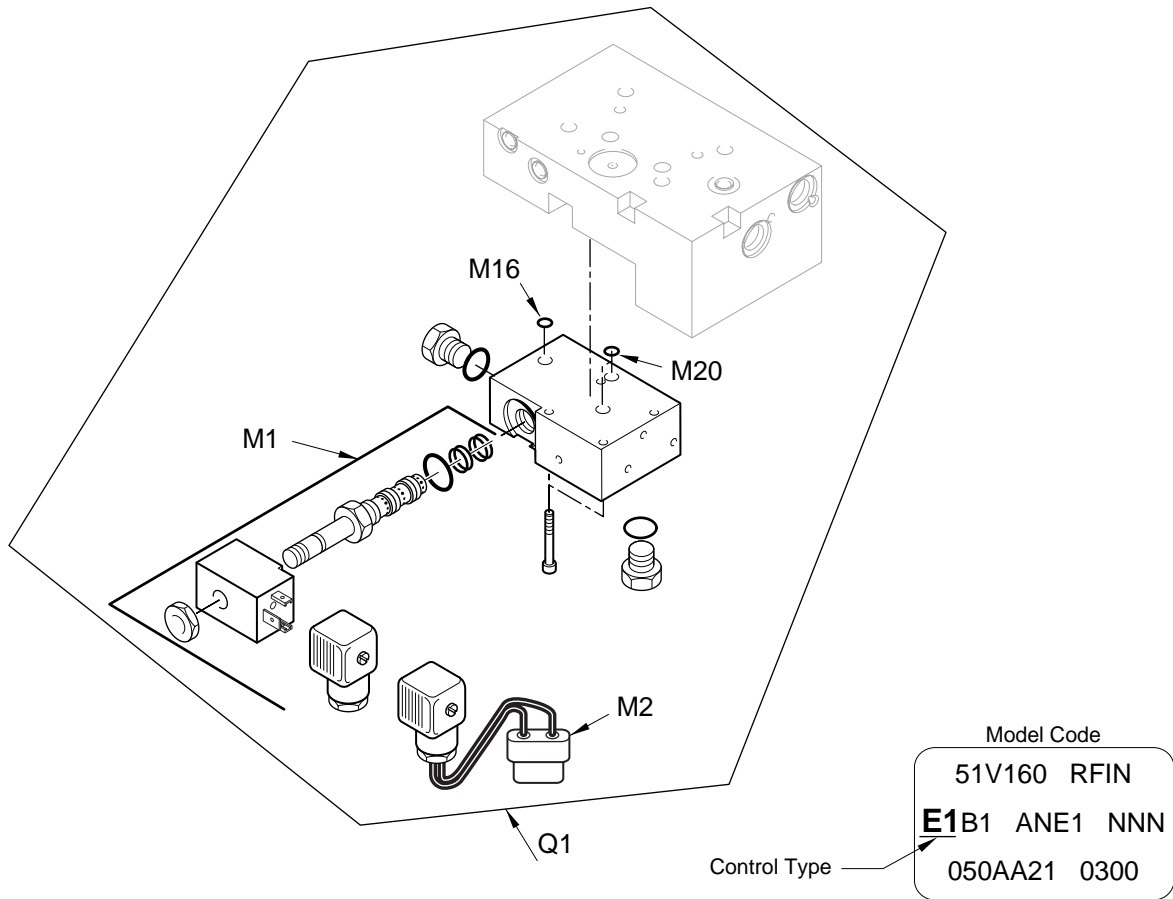
51V160 RFIN
 E1A2 ANE1 NNN
 050AA21 0322

Max. Displacement Screw
 (N = 100%)

Item #	Description	060	080	110	160	250
	End Cap Seal Kit	773242	793083	773234	500001	761403
F10	Seal Ring	504202	504203	504403	504205	687277
F11	O-ring	015404	504206	019950	504207	504208
F10N	Screw-Max. Displ.	395723 <small>(9007315-0805) 100%</small>	393686 <small>(9007315-1005) 100%</small>	393686 <small>(9007315-1005) 100%</small>	393686 <small>(9007315-1005) 100%</small>	393686 <small>(9007315-1005) 100%</small>
		393603 <small>95%</small>	393694 <small>90%</small>	-	396077 <small>(9007315-1007) 85%</small>	393710 <small>80%</small>
F12	Servo Piston	501314	501315	501316	501317	501318
F24	Feedback Lever	501002	501001	501000	500999	500998
F26	Set Screw	733089	396879	396879	396879	396879
F28	Set Screw	010397 <small>(9007712-0606)</small>	042465	042465	042465	042465
F30	Servo Piston Link	733105	-	-	-	-
F33	O-ring	730036	730036	730036	730036	730036
G90	Screen	331405 <small>(9803390)</small>	331405 <small>(9803390)</small>	331405 <small>(9803390)</small>	331405 <small>(9803390)</small>	331405 <small>(9803390)</small>
J50	O-ring	732479	732479	732479	732479	732479
J70	Seal Nut	069393	069393	069393	069393	069393
K10	Plug	344424 <small>(8800488-1000)</small>	344424 <small>(8800488-1000)</small>	344424 <small>(8800488-1000)</small>	344424 <small>(8800488-1000)</small>	344424 <small>(8800488-1000)</small>
K14	Spring	364950	364950	364950	364950	364950
K16	Spring Guide	365528 <small>(8800551)</small>	365528 <small>(8800551)</small>	365528 <small>(8800551)</small>	365528 <small>(8800551)</small>	365528 <small>(8800551)</small>
K18	Loop Flush Piston	367789	367789	367789	707745	707745
K50	O-ring	001149 <small>(9004201-6200)</small>	001149 <small>(9004201-6200)</small>	001149 <small>(9004201-6200)</small>	001149 <small>(9004201-6200)</small>	001149 <small>(9004201-6200)</small>
K70	Spring	760645 <small>(8800476)</small>	760645 <small>(8800476)</small>	760645 <small>(8800476)</small>	760645 <small>(8800476)</small>	760645 <small>(8800476)</small>
K80	Poppet	342428 <small>(8800449)</small>	342428 <small>(8800449)</small>	342428 <small>(8800449)</small>	342428 <small>(8800449)</small>	342428 <small>(8800449)</small>
K90	Lock Nut	342709 <small>(9003575-0101)</small>	342709 <small>(9003575-0101)</small>	342709 <small>(9003575-0101)</small>	342709 <small>(9003575-0101)</small>	342709 <small>(9003575-0101)</small>
M96	Gasket	084673	084673	084673	084673	084673



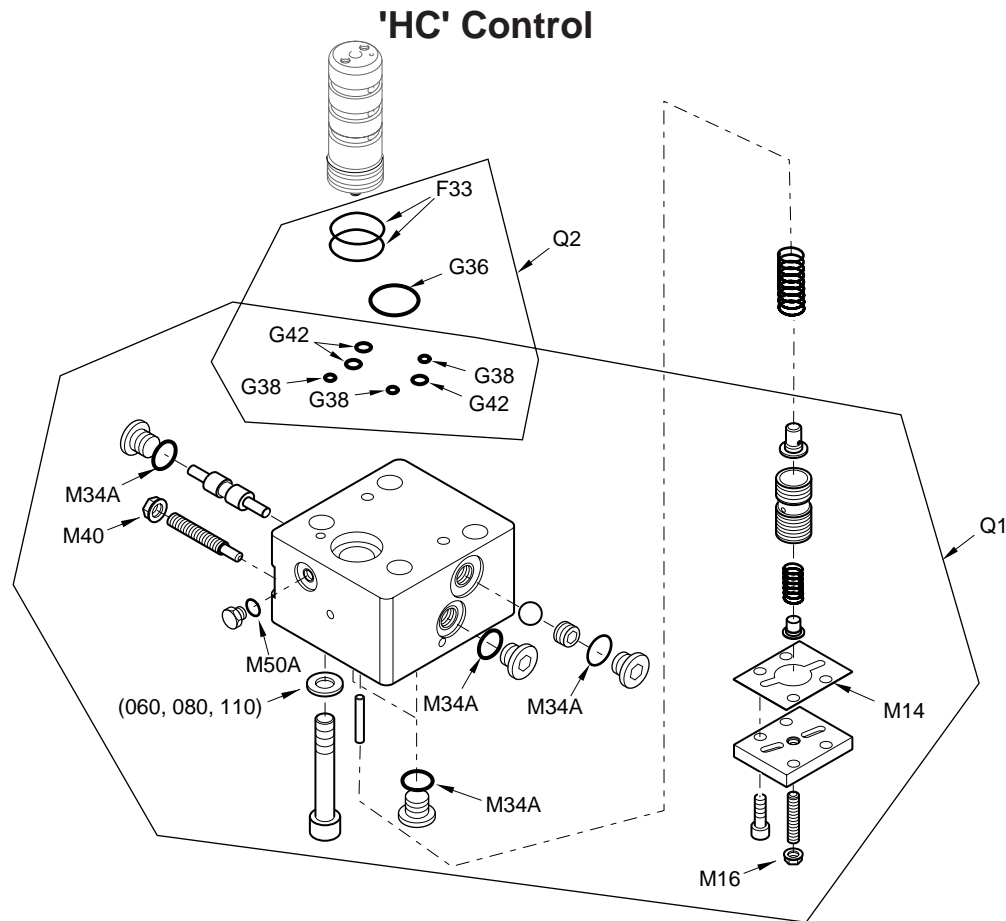
Item #	Control Type	Description	060-250
Q1	EP	Control Kit	503791
Q1	EQ	Control Kit	503790
Q1	ER	Control Kit	507391
Q1	ES	Control Kit	507393
M1	EP or ER	PCP, Packard Connector	731109
M1	EQ or ES	PCP, MS Connector	701417
M16	ALL	Gasket	504358
M24	ALL	Shuttle Piston	741942
M30	ALL	O-ring	056770
M32A	ALL	O-ring	085043 (9004201-3700)
M36	ALL	O-ring	329441
M38	ALL	O-ring	011395



Item #	Control Type	Description	060-250
	*	Control Seal Kit	771113
Q1	E1 & F1	Control Kit	503618
Q1	E2 & F2	Control Kit	503617
Q1	E5	Control Kit	503619
Q1	H1	Control Kit	503613
Q1	H2	Control Kit	503614
Q1	K1	Control Kit	503620
Q1	K2	Control Kit	503806
M1	E1 & F1	Solenoid, 12v	784942

Item #	Control Type	Description	060-250
M1	E5	Solenoid, 12v	784942
M1	E2 & F2	Solenoid, 24v	784934
M1	H1	Solenoid, 12v	784942
M1	H2	Solenoid, 24v	784934
M1	K1	Solenoid, 12v	784942
M1	K2	Solenoid, 24v	784934
M2	E5	Adaptor-DIN to Packard	770115
M16	*	O-ring	329441 (9004104-0100)
M20	*	O-ring	365015

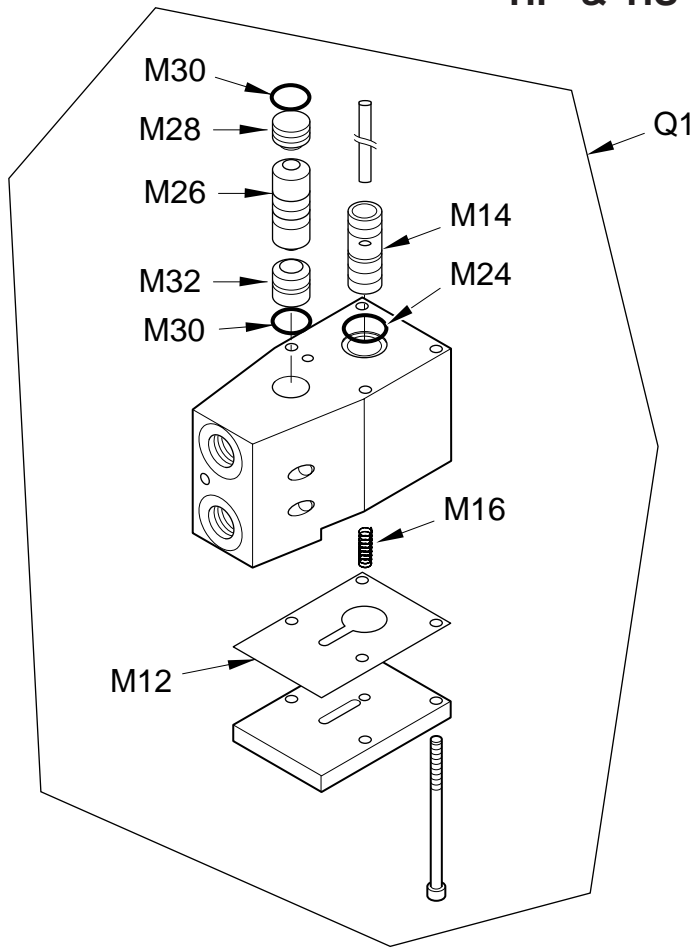
* Same for all Control Types listed on this page



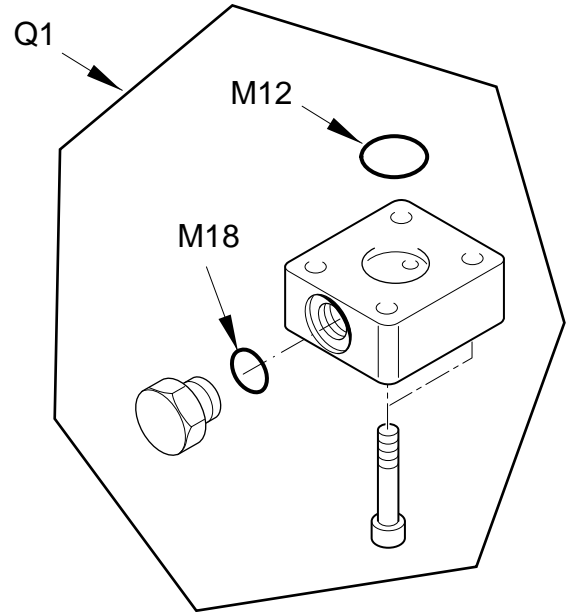
Item #	Description	060	080	110	160	250
Q1	HC Control Kit	506879	506879	506879	506880	506880
Q2	Seal Kit	506890	506890	506890	506890	506890
F33	O-ring	730036	730036	730036	730036	730036
G36	O-ring	071878 (9004105-1190)	364968	364968	364976	707737
G38	O-ring	792739	792739	792739	792739	792739
G42	O-ring	754580	754580	754580	754580	754580
M14	Gasket	735704	759415	759415	759415	759415
M16	Seal Nut	517862 (9003509-0006)	759423	759423	759423	759423
M34A	O-ring	759423 (9004201-3700)	331405 (9803390)	331405 (9803390)	331405 (9803390)	331405 (9803390)
M40	Seal Nut	505412 (9003509-0008)	505412 (9003509-0008)	505412 (9003509-0008)	505412 (9003509-0008)	505412 (9003509-0008)
M50A	O-ring	331405 (9004201-1900)	331405 (9004201-1900)	331405 (9004201-1900)	331405 (9004201-1900)	331405 (9004201-1900)



'HP' & 'HS' Control



'HP' Control



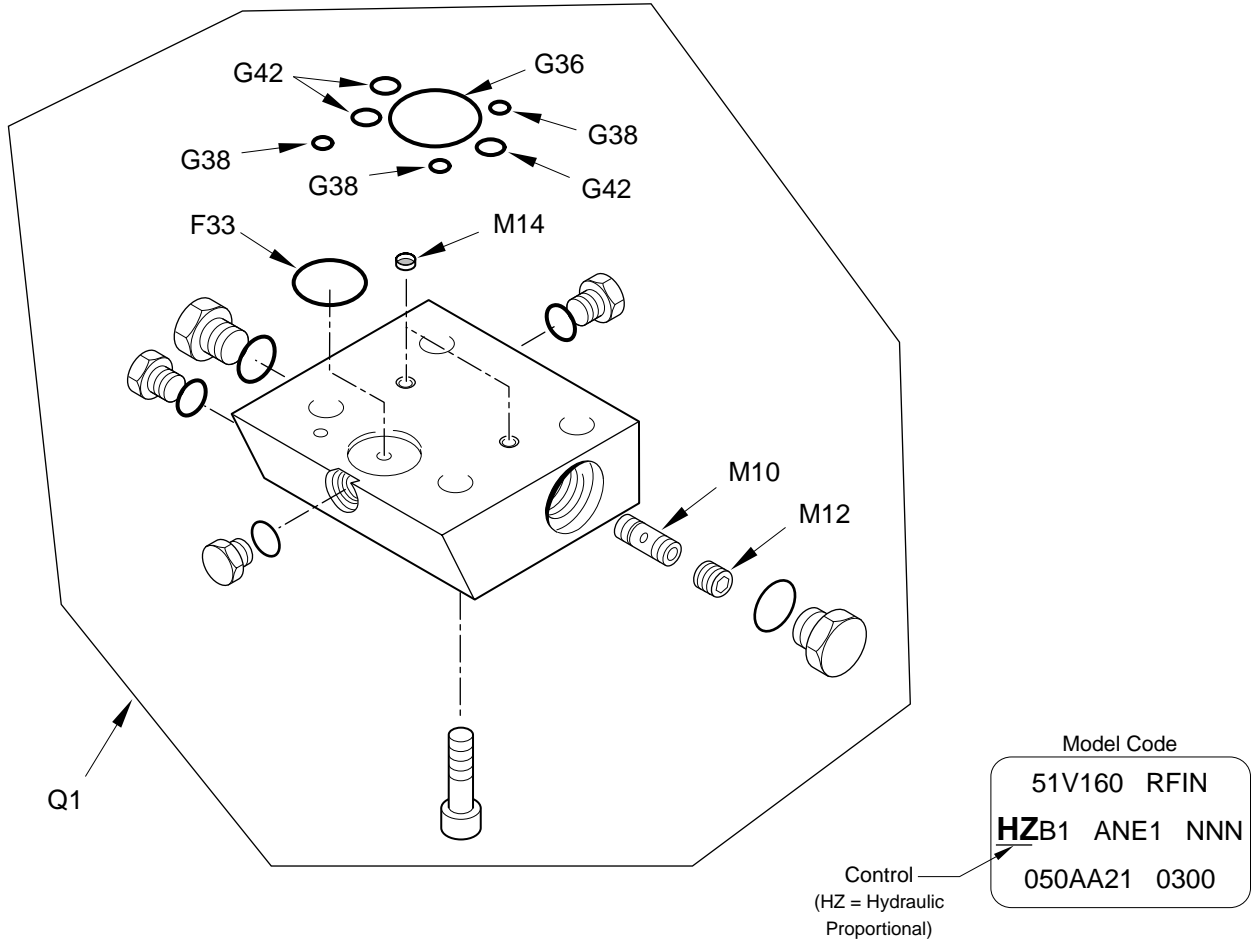
'HS' Control

Item #	Description	060-250
Q1	Control Kit	796482
M12	Gasket	504358
M14	Shuttle Piston	741942
M16	Spring	717454
M24	O-ring	056770 (9004105-0150)
M26	Shuttle Valve	751644
M28	Sealing Plug	342246
M30	O-ring	011296 (9004105-0120)
M32	Sealing Plug	353615

Item #	Description	060-250
Q1	Control Kit	503804
M12	O-ring	364984
M18	O-ring	759423 (9004201-3700)



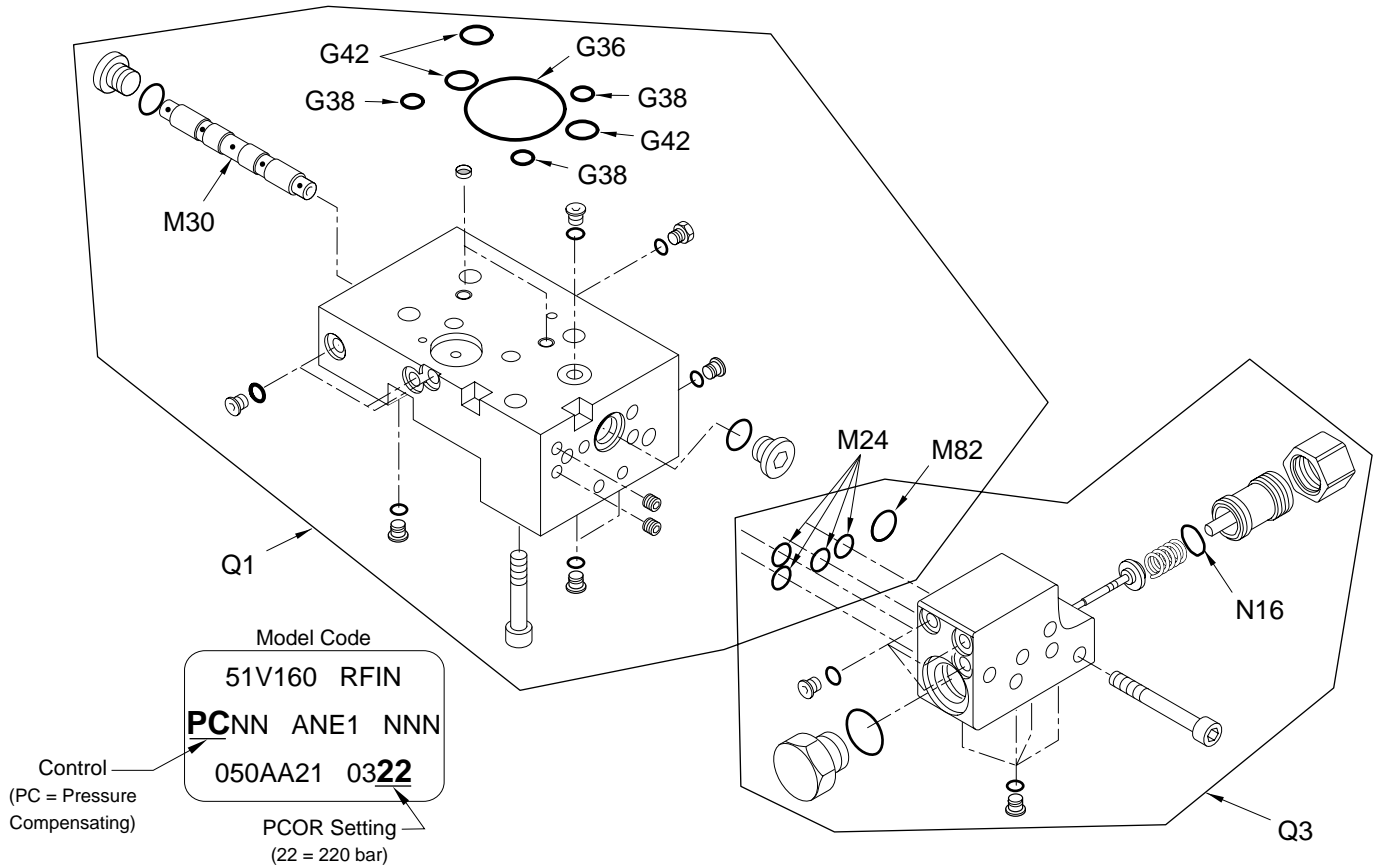
'HZ' Control



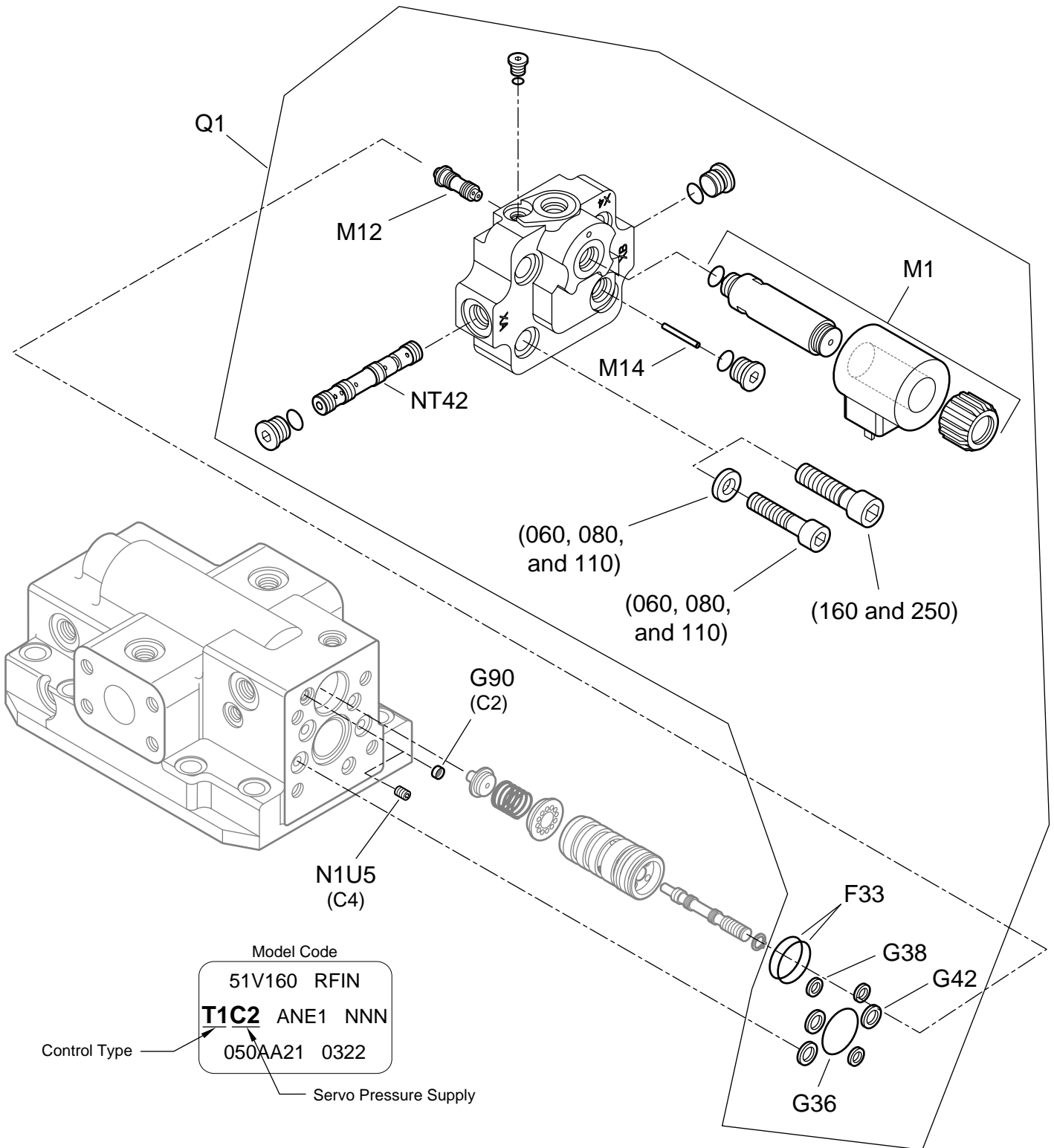
Item #	Description	060	080	110	160	250
	Control Seal Kit	777961	777961	777961	777961	777961
Q1	HZ Control Kit	503563	503563	503563	503564	503564
F33	O-ring	730036	730036	730036	730036	730036
G36	O-ring	071878 (9004105-1190)	364968	364968	364976	707737
G38	O-ring	792739	792739	792739	792739	792739
G42	O-ring	754580	754580	754580	754580	754580
M10	Spool	759415	759415	759415	759415	759415
M12	Orifice	759423	759423	759423	759423	759423
M14	Screen	331405 (9803390)	331405 (9803390)	331405 (9803390)	331405 (9803390)	331405 (9803390)



'PC' Control



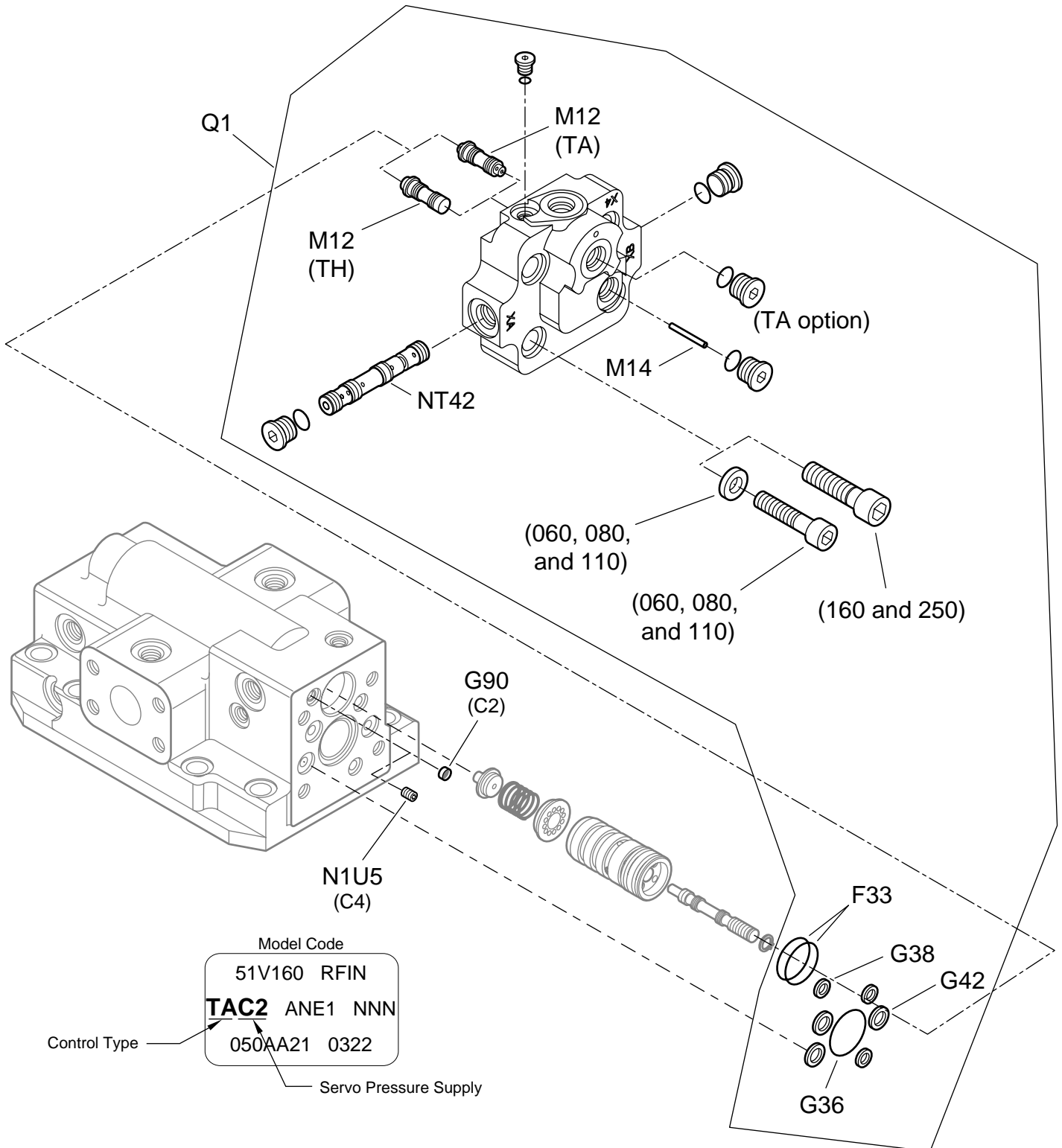
Item #	Description	060	080	110	160	250
	Control Seal Kit	777896	777896	777896	777896	777896
Q1	PC Control Kit	503605	503605	503605	503608	503608
Q3	PCOR Kit (100-260 bar)	503610	503610	503610	503610	503610
Q3	PCOR Kit (270-370 bar)	503612	503612	503612	503612	503612
G36	O-ring	071878 (9004105-1190)	364968	364968	364976	707737
G38	O-ring	792739	792739	792739	792739	792739
G42	O-ring	754580	754580	754580	754580	754580
M30	Spool	718833	718833	718833	718833	718833
M24	O-ring	144725 (9004105-0110)	144725 (9004105-0110)	144725 (9004105-0110)	144725 (9004105-0110)	144725 (9004105-0110)
M82	O-ring	732479	732479	732479	732479	732479
N16	O-ring	001149 (9004201-6200)	001149 (9004201-6200)	001149 (9004201-6200)	001149 (9004201-6200)	001149 (9004201-6200)





PC2 Control Kit
(T1 & T2/C2 & C4)

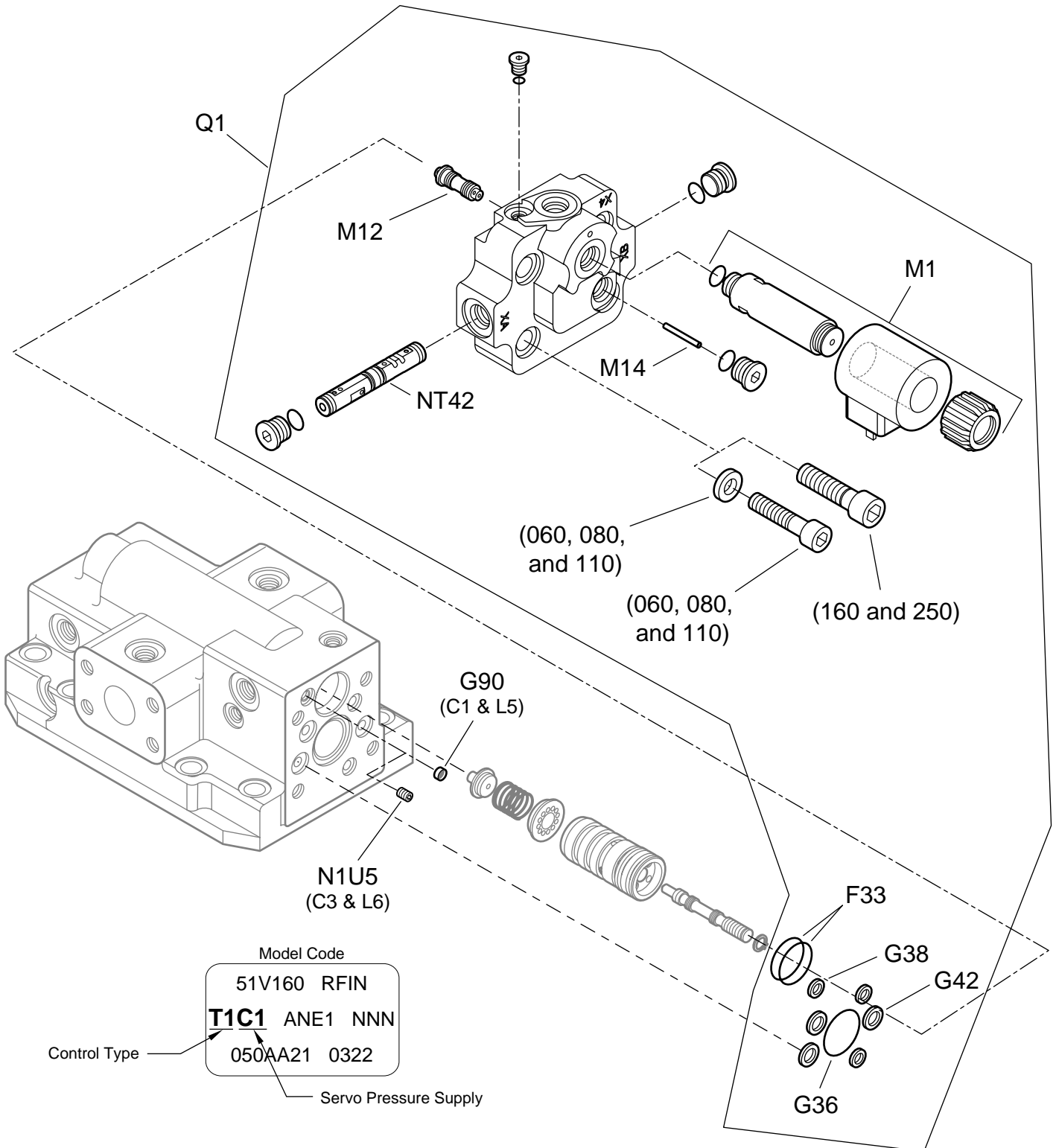
Item #	Description	060	080	110	160	250
Q1	Control Kit, T1/C2-C4, 12v	506886	506886	506886	506886	506886
Q1	Control Kit, T2/C2-C4, 24v	506888	506888	506888	506888	506888
F33	O-ring	730036	730036	730036	730036	730036
G36	O-ring	071878 (9004105-1190)	364968	364968	364976	707737
G38	O-ring	792739	792739	792739	792739	792739
G42	O-ring	754580	754580	754580	754580	754580
G90	Screen	331405 (9803390)	331405 (9803390)	331405 (9803390)	331405 (9803390)	331405 (9803390)
M1	Solenoid Valve, 12v	503501	503501	503501	503501	503501
M1	Solenoid Valve, 24v	503502	503502	503502	503502	503502
M12	Sensing Piston	503192	503192	503192	503192	503192
M14	Straight Pin	503503	503503	503503	503503	503503
NT42	Spool Assembly	503488	503488	503488	503488	503488
N1U5	Set Screw	913897 (9007712-0605)	913897 (9007712-0605)	913897 (9007712-0605)	913897 (9007712-0605)	913897 (9007712-0605)





PC2 Control Kit
 (TA & TH/C2 & C4)

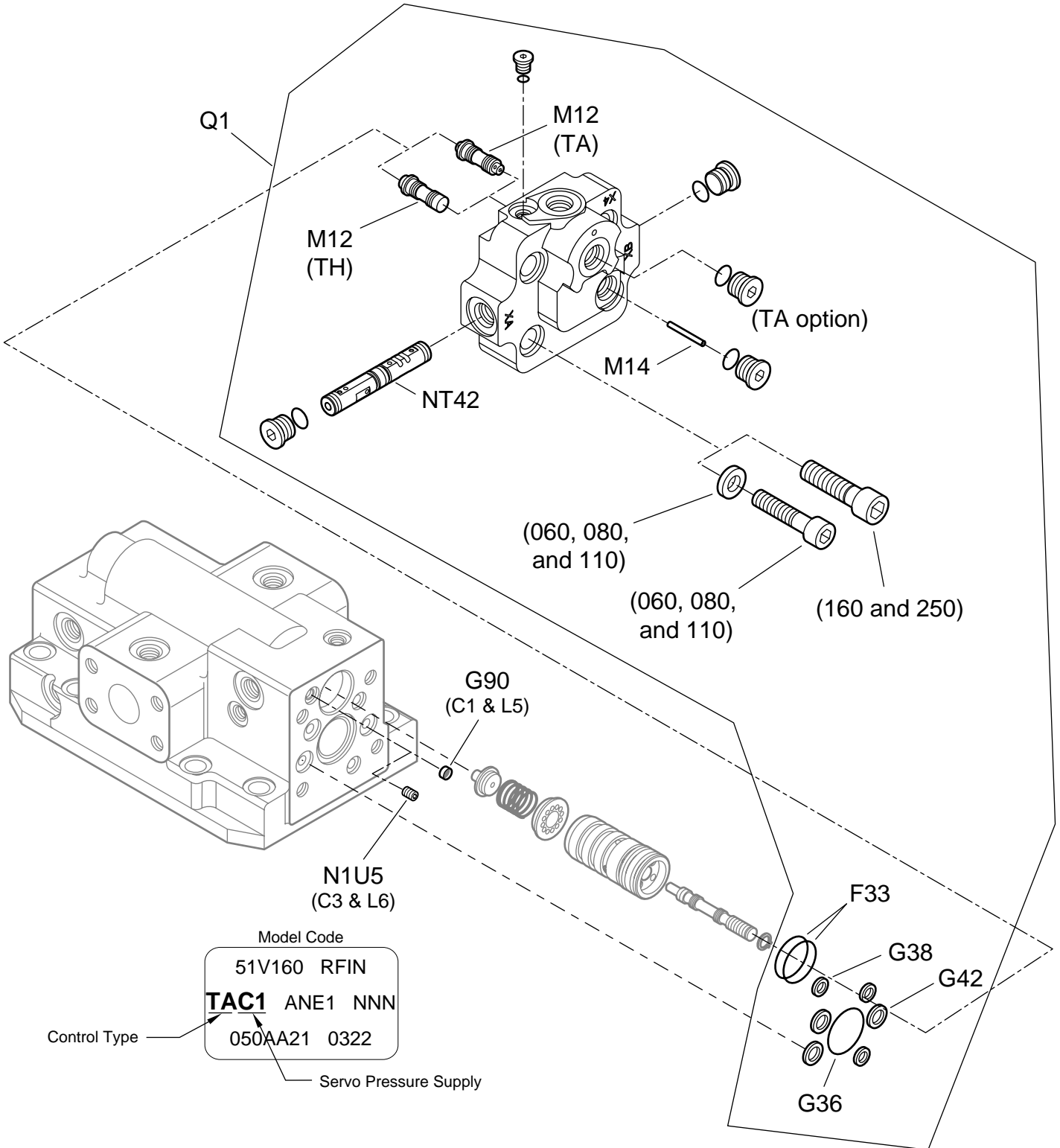
Item #	Description	060	080	110	160	250
Q1	Control Kit, TA/C2-C4	506884	506884	506884	506884	506884
Q1	Control Kit, TH/C2-C4	503801	503801	503801	503801	503801
F33	O-ring	730036	730036	730036	730036	730036
G36	O-ring	071878	364968	364968	364976	707737
G38	O-ring	792739	792739	792739	792739	792739
G42	O-ring	754580	754580	754580	754580	754580
G90	Screen	331405 (9803390)	331405 (9803390)	331405 (9803390)	331405 (9803390)	331405 (9803390)
M12	Sensing Piston, TA	503192	503192	503192	503192	503192
M12	Sensing Piston, TH	503194	503194	503194	503194	503194
M14	Straight Pin	503503	503503	503503	503503	503503
NT42	Spool Assembly	503488	503488	503488	503488	503488
N1U5	Set Screw	913897 (9007712-0605)	913897 (9007712-0605)	913897 (9007712-0605)	913897 (9007712-0605)	913897 (9007712-0605)





PC2 Control Kit
 (T1 & T2/C1, C3, L5 & L6)

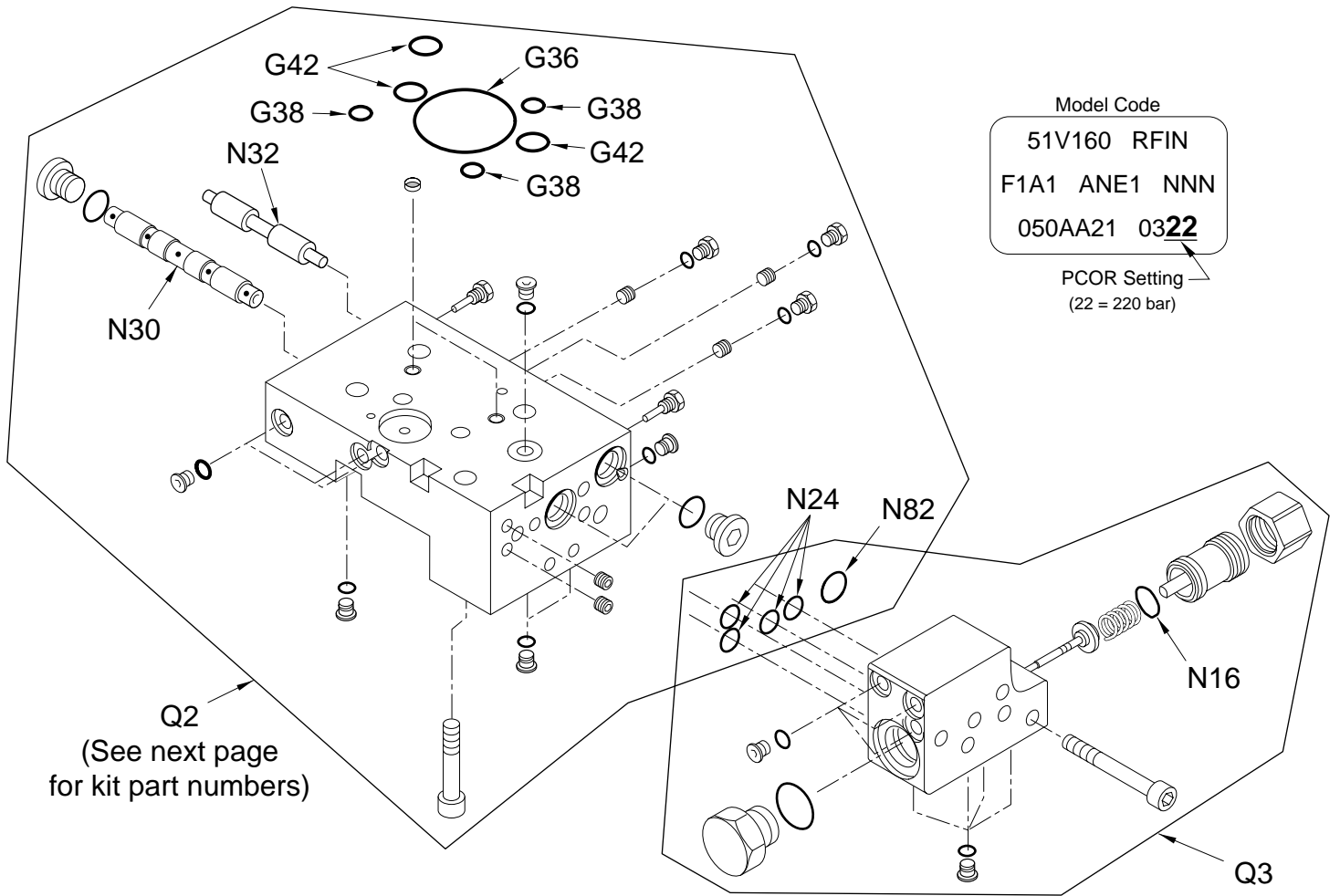
Item #	Description	060	080	110	160	250
Q1	Cont. Kit, T1/C1, C3, C5, L5, L6	506885	506885	506885	506885	506885
Q1	Cont. Kit, T2/C1, C3, C5, L5, L6	506887	506887	506887	506887	506887
F33	O-ring	730036	730036	730036	730036	730036
G36	O-ring	071878 (9004105-1190)	364968	364968	364976	707737
G38	O-ring	792739	792739	792739	792739	792739
G42	O-ring	754580	754580	754580	754580	754580
G90	Screen	331405 (9803390)	331405 (9803390)	331405 (9803390)	331405 (9803390)	331405 (9803390)
M1	Solenoid Valve, 12v	503501	503501	503501	503501	503501
M1	Solenoid Valve, 24v	503502	503502	503502	503502	503502
M12	Sensing Piston	503192	503192	503192	503192	503192
M14	Straight Pin	503503	503503	503503	503503	503503
NT42	Spool Assembly	503491	503491	503491	503491	503491
N1U5	Set Screw	913897 (9007712-0605)	913897 (9007712-0605)	913897 (9007712-0605)	913897 (9007712-0605)	913897 (9007712-0605)





PC2 Control Kit
 (TA & TH/C1, C3, L5 & L6)

Item #	Description	060	080	110	160	250
Q1	Cont. Kit, TA/C1, C3, C5, L5, L6	506883	506883	506883	506883	506883
Q1	Cont. Kit, TH/C1, C3, C5, L5, L6	503800	503800	503800	503800	503800
F33	O-ring	730036	730036	730036	730036	730036
G36	O-ring	071878 (9004105-1190)	364968	364968	364976	707737
G38	O-ring	792739	792739	792739	792739	792739
G42	O-ring	754580	754580	754580	754580	754580
G90	Screen	331405	331405	331405	331405	331405
M12	Sensing Piston, TA	503192	503192	503192	503192	503192
M12	Sensing Piston, TH	503194	503194	503194	503194	503194
M14	Straight Pin	503503	503503	503503	503503	503503
NT42	Spool Assembly	503491	503491	503491	503491	503491
N1U5	Set Screw	913897 (9007712-0605)	913897 (9007712-0605)	913897 (9007712-0605)	913897 (9007712-0605)	913897 (9007712-0605)



Model Code
 51V160 RFIN
 F1A1 ANE1 NNN
 050AA21 0322

PCOR Setting
 (22 = 220 bar)

Q2
 (See next page
 for kit part numbers)

Item #	Description	060	080	110	160	250
Q3	PCOR Kit (100-260 bar)	503610	503610	503610	503610	503610
Q3	PCOR Kit (270-370 bar)	503612	503612	503612	503612	503612
G36	O-ring	071878 (9004105-1190)	364968	364968	364976	707737
G38	O-ring	792739	792739	792739	792739	792739
G42	O-ring	754580	754580	754580	754580	754580
N16	O-ring	001149 (9004201-6200)	001149 (9004201-6200)	001149 (9004201-6200)	001149 (9004201-6200)	001149 (9004201-6200)
N24	O-ring	732479	732479	732479	732479	732479
N30	Spool	718833	718833	718833	718833	718833
N32	Piston	346080	346080	346080	346080	346080
N82	O-ring	144725 (9004105-0110)	144725 (9004105-0110)	144725 (9004105-0110)	144725 (9004105-0110)	144725 (9004105-0110)



Multi-Function Block Kits (Item# Q2)

51*060-110, PCOR is not included

Model Code

51V060 RFIN

E1A2 ANE1 NNN

050AA21 0322

Control Type

Multi-Function Block Type

Control Type	Multi-Function Block A5 & A6	Multi-Function Block using PCOR A2 & A4	Multi-Function Block using PCOR and Brake Pressure Defeat		
			A1 & A3	L2 & L4	R2 & R4
E1	503590	503577	503594		
E2	503590	503577	503594		
E5	503590	503577	503594		
EP	503586				503601
EQ	503586				503601
F1	503590	503577	503594		
F2	503590	503577	503594		
H1					503601
H2					503601
HP	503582	503568	503570		
HS		503568	503570		
K1					503601
K2					503601
Seal Kit*	777904	777896	773192	773192	773192

* Multi-Function Block Seal Kit dependent on Multi-Function Block Type



Multi-Function Block Kits (Item# Q2) 51*160-250, PCOR is not included

Model Code

51V160 RFIN
E1A2 ANE1 NNN
050AA21 0322

Control Type

Multi-Function Block Type

Control Type	Multi-Function Block A5 & A6	Multi-Function Block using PCOR A2 & A4	Multi-Function Block using PCOR and Brake Pressure Defeat		
			A1 & A3	L2 & L4	R2 & R4
E1	503592	503579	503596		503598
E2	503592	503579	503596		503598
E5	503592	503579	503596		503598
EP	503588	503575		503584	503603
EQ	503588	503575		503584	503603
F1	503592	503579	503596		503598
F2	503592	503579	503596		503598
H1		503575		503584	503603
H2		503575		503584	503603
HP			503572		
HS			503572		
K1		503575		503584	503603
K2		503575		503584	503603
Seal Kit*	777904	777896	773192	773192	773192

* Multi-Function Block Seal Kit dependent on Multi-Function Block Type

ALASKA

ALASKA HYDRAULICS, INC.
500 WEST POTTER
ANCHORAGE
ALASKA 99518
(907)562-2217

ARIZONA

AIR DRAULICS COMPANY
3311 N. 29th AVENUE
PHOENIX
ARIZONA 85061
(602)254-8414

ARIZONA

AIR DRAULICS COMPANY
3720 E. 43rd Place
TUSCON
ARIZONA 85713
(602)747-3070

ARKANSAS

BERENDSEN FLUID POWER, INC.
7600 FLUID DRIVE
LITTLE ROCK
ARKANSAS 72206
(501)490-0222

CALIFORNIA

BERENDSEN FLUID POWER, INC.
4420 STATE ROAD
BAKERSFIELD
CALIFORNIA 93308
(805)393-1191

CALIFORNIA

BERENDSEN FLUID POWER, INC.
9444 MIRAMAR ROAD
SAN DIEGO
CALIFORNIA 92126
(619)578-1910

CALIFORNIA

BERENDSEN FLUID POWER, INC.
950 DOOLITTLE DRIVE
SAN LEANDRO
CALIFORNIA 94577
(510)635-0500

CALIFORNIA

BERENDSEN FLUID POWER, INC.
1730 TERMINAL STREET
W. SACRAMENTO
CALIFORNIA 95691
(916)372-0550

CALIFORNIA

BERENDSEN FLUID POWER, INC.
9999 EAST ROSE HILLS ROAD
WHITTIER
CALIFORNIA 90601
(310)692-6912

CALIFORNIA

BERENDSEN FLUID POWER, INC.
921 GEORGE WASHINGTON
YUBA CITY
CALIFORNIA 95993
(916)674-3754

CALIFORNIA

ZEMARC CORPORATION
1801 ADDISON WAY
HAYWARD
CALIFORNIA 94544
(510)783-3964

CALIFORNIA

ZEMARC CORPORATION
2240 GASPAR AVENUE
LOS ANGELES
CALIFORNIA 90040
(213)721-5598

CALIFORNIA

ZEMARC CORPORATION
1255 STONE DRIVE
SAN MARCOS
92069
(619)471-0440

COLORADO

BERENDSEN FLUID POWER, INC.
4675 JOLIET
DENVER
COLORADO 80239
(303)373-4840

CONNECTICUT

HYDRO AIR OF CONNECTICUT
243 STATE STREET
NORTH HAVEN
CONNECTICUT 06473
(203)248-8863

GEORGIA

ADVANCED FLUID SYSTEMS
751 HURRICANE SHOALS ROAD
LAWRENCEVILLE
GEORGIA 30245
(404)963-6164

GEORGIA

BERENDSEN FLUID POWER, INC.
1801 WEST OAK PARKWAY, N. E.
MARIETTA
GEORGIA 30062
(404)419-3430

HAWAII

HAWAIIAN FLUID POWER
803 AHUA STREET
HONOLULU
HAWAII 96819
(808)833-4516

HAWAII

HAWAIIAN FLUID POWER
400 DAIRY ROAD
KAHULUI
HAWAII 96732
(808)877-6881

IDAHO

BERENDSEN FLUID POWER, INC.
2033 CENTURY WAY
BOISE
IDAHO 83709
(208)377-4822

IDAHO

BERENDSEN FLUID POWER, INC.
1851 MAIN STREET
LEWISTON
IDAHO 83501
(208)746-9677

IDAHO

BERENDSEN FLUID POWER, INC.
910 RENEE AVE.
POCATELLO
IDAHO 83201
(208) 232-6110

ILLINOIS

BERENDSEN FLUID POWER, INC.
1400 E. LAFAYETTE
BLOOMINGTON
ILLINOIS 61701
(309)663-7070

ILLINOIS

BERENDSEN FLUID POWER, INC.
28192 NORTH BALLARD DRIVE
LAKE FOREST
ILLINOIS 60045
(708)680-0050

ILLINOIS

BERENDSEN FLUID POWER, INC.
11999 BORMAN DRIVE
ST. LOUIS
MISSOURI 63146
(314)469-9100

ILLINOIS

FAUVER COMPANY
275 COMMONWEALTH DRIVE
CAROL STREAM
ILLINOIS 60188
(708)682-5010

INDIANA

FAUVER COMPANY
5757 WEST 73RD STREET
INDIANAPOLIS
INDIANA 46278
(317)387-4300

IOWA

FAUVER COMPANY
6700 6th STREET S W
CEDAR RAPIDS
IOWA 52404
(319)366-6437

KANSAS

BERENDSEN FLUID POWER, INC.
3727 WEST DORA
WICHITA
KANSAS 67213
(316)945-4455

KANSAS

BERENDSEN FLUID POWER, INC.
1560 NORTH TOPPING AVENUE
KANSAS CITY
MISSOURI 64120
(816)483-3388

KENTUCKY

FAUVER COMPANY
11400 DECIMAL DRIVE
LOUISVILLE
KENTUCKY 40299
(502)267-7461

LOUISIANA

BERENDSEN FLUID POWER, INC.
404 COMMERCE POINT
HARAHAN
LOUISIANA 70123
(504)734-0270

MARYLAND

FAUVER COMPANY
601 P HAMMONDS FERRY ROAD
LINTHICUM
MARYLAND 21090
(410)636-9380

MASSACHUSETTS

HYDRO AIR OF CONNECTICUT
#4 STONEHILL ROAD
WESTBOROUGH
MASSACHUSETTS 01581
(508)366-0895

MICHIGAN

BERENDSEN FLUID POWER, INC.
3528 ROGER B. CHAFFEE
GRAND RAPIDS
MICHIGAN 49548
(616)452-4560

MICHIGAN

BERENDSEN FLUID POWER, INC.
13685 OTTERSON COURT
LIVONIA
MICHIGAN 48150-1220
(313)525-4570

MICHIGAN

FAUVER COMPANY
3015 AIRPARK DRIVE NORTH
FLINT
MICHIGAN 48507
(313)235-2501

MICHIGAN

FAUVER COMPANY
4550 40th STREET
KENTWOOD
MICHIGAN 59512-4090
(616)957-5177

MICHIGAN

FAUVER COMPANY
1500 EAST AVIS DRIVE
MADISON HEIGHTS
MICHIGAN 48071
(810)585-5252

MICHIGAN

FAUVER COMPANY
3761 WOLF ROAD
SAGINAW
MICHIGAN 48601
(517)753-0474

MINNESOTA

FAUVER COMPANY
4940 LIGHTNING DRIVE
DULUTH
MINNESOTA 55811
(218)729-5241

MINNESOTA

FAUVER COMPANY
10286 WEST 70th STREET
EDEN PRAIRIE
MINNESOTA 55344
(612)943-1644

MISSOURI

FAUVER COMPANY
3939 33rd TERRACE N. E., SUITE H
KANSAS CITY
MISSOURI 64117
(816)452-4444

MISSOURI

FAUVER COMPANY
10855 METRO BUSINESS CT - SUITE C
MARYLAND HEIGHTS
MISSOURI 63043
(314)993-6688

MONTANA

BERENDSEN FLUID POWER, INC.
3723 GRANT CREEK ROAD
MISSOULA
MONTANA 59802
(406)549-4181

NEBRASKA

FAUVER COMPANY
10171 J STREET
OMAHA
NEBRASKA 68127
(402)331-5240

NEW JERSEY

HYDRO AIR, INC.
145 FAIRFIELD
FAIRFIELD
NEW JERSEY 07004
(201)575-0935

NEW MEXICO

AIR DRAULICS COMPANY
3209 MATTHEW N. E.
ALBUQUERQUE
NEW MEXICO 87107
(505)884-1500

NEW YORK

FITZSIMMONS HYDRAULICS CO.
4400 SHISLER ROAD
CLARENCE
NEW YORK 14031
(716)759-8389

NORTH CAROLINA

BERENDSEN FLUID POWER, INC.
4030 YANCEY ROAD
CHARLOTTE
NORTH CAROLINA 28217
(704)525-1354

NORTH DAKOTA

FAUVER COMPANY
1121 WESTRAC DR., SUITE 103
FARGO
NORTH DAKOTA 58103
(701)280-1185

OHIO

FAUVER COMPANY
11253 WILLIAMSON ROAD
CINCINNATI
OHIO 45241
(513)247-9900

OHIO

FAUVER COMPANY
4149 WEAVER COURT SOUTH
HILLIARD
OHIO 43026
(614)876-1261

OHIO

FAUVER COMPANY
6979 WALES ROAD
NORTHWOOD
OHIO 43619
(419)666-3404

OHIO

FAUVER COMPANY
895 Hampshire Rd., Suite C
STOW
OHIO 44224
(216)923-8855

OHIO

KRAFT FLUID SYSTEMS
14300 FOLTZ INDUSTRIAL PARKWAY
CLEVELAND
OHIO 44136
(216)238-5545

OKLAHOMA

BERENDSEN FLUID POWER, INC.
4400 WILL ROGERS PARKWAY, #206
OKLAHOMA CITY
OKLAHOMA 73103
(405)236-8065

OKLAHOMA

BERENDSEN FLUID POWER, INC.
6526 EAST 40TH STREET
TULSA
OKLAHOMA 74145
(918)622-3781

OREGON

BERENDSEN FLUID POWER, INC.
4686 ISABELLE ST.
EUGENE
OREGON 97402
(503)342-1804

OREGON

BERENDSEN FLUID POWER, INC.
6350 N. E. HALSEY ST.
PORTLAND
OREGON 97213
(503)288-6061

PENNSYLVANIA

HYDRO AIR OF PENNSYLVANIA
405 CAREDEAN DRIVE
HORSHAM
PENNSYLVANIA 19044
(215)675-3222

PENNSYLVANIA

KRAFT FLUID SYSTEMS
RD #4, BOX 241 A A
BELLE VERNON
PENNSYLVANIA 15012
(412)872-6600

PUERTO RICO

H & D CARIBBEAN, INC.
P O Box 2318
TOA BAJA
PUERTO RICO 00951
(809)251-1865

TENNESSEE

BERENDSEN FLUID POWER, INC.
2853-2 DIRECTORS COVE
MEMPHIS
TENNESSEE 38131
(901)332-0761

TEXAS

BERENDSEN FLUID POWER, INC.
2120 HUTTON, SUITE 500
CARROLLTON
TEXAS 75006
(214)243-1722

TEXAS

BERENDSEN FLUID POWER, INC.
15344 E. VANTAGE PKWY, SUITE 100
HOUSTON
TEXAS 77032
(713)987-2117

TEXAS

HYDRAQUIP CORPORATION
1119 111th STREET
ARLINGTON
TEXAS 76011
(214)660-7230

TEXAS

HYDRAQUIP CORPORATION
7230 WYNNPARK DRIVE
HOUSTON
TEXAS 77008
(713)869-9471

TEXAS

HYDRAQUIP CORPORATION
2802 GILMER ROAD, SUITE 1
LONGVIEW
TEXAS 75604
(903)297-5812

TEXAS

HYDRAQUIP CORPORATION
618-A WEST RHAPSODY
SAN ANTONIO
TEXAS 78216
(210)341-8896

UTAH

BERENDSEN FLUID POWER, INC.
2251 WEST CALIFORNIA AVENUE
SALT LAKE CITY
UTAH 84104
(801)977-0123

VIRGINIA

BERENDSEN FLUID POWER, INC.
5064 COMMERCE ROAD
RICHMOND
VIRGINIA 23234
(804)271-1909

WASHINGTON

BERENDSEN FLUID POWER, INC.
365 UPLAND DRIVE SOUTH
SEATTLE
WASHINGTON 98188
(206)575-3736

WASHINGTON

BERENDSEN FLUID POWER, INC.
E. 3200 TRENT BLDG B, SUITE 6
SPOKANE
WASHINGTON 99202
(509)535-4281

WASHINGTON

HYDRAULIC COMPONENTS
13406 S. E. 32nd STREET
BELLEVUE
WASHINGTON 98005
(360)747-0927

WEST VIRGINIA

FAUVER COMPANY
408 PEOPLE BUILDING
CHARLESTON
WEST VIRGINIA 25301
(304)346-3501

WISCONSIN

FAUVER COMPANY
11928 W. SILVERSPRING DRIVE
MILWAUKEE
WISCONSIN 53225
(414)536-4001

WISCONSIN

PRICE ENGINEERING COMPANY
22577 JOHNSON DRIVE
WAUKESHA
WISCONSIN 53186
(414)547-2700

Hydraulic Power Systems

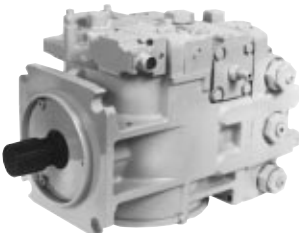
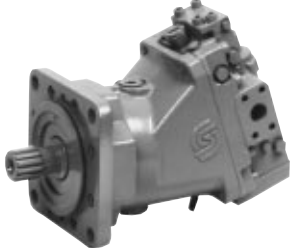

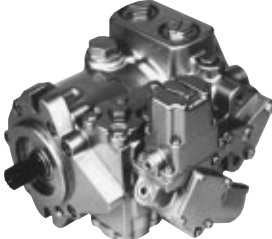
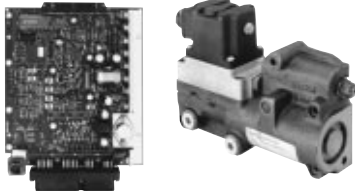
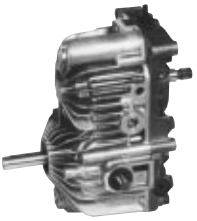

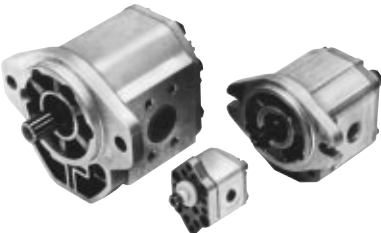

11400 DECIMAL DRIVE
LOUISVILLE
KENTUCKY 40299

SAUER-SUNDSTRAND Hydraulic Power Systems - Market Leaders Worldwide

SAUER-SUNDSTRAND is a world leader in the design and manufacture of Hydraulic Power Systems. Research and development resources in both North America and Europe enable SAUER-SUNDSTRAND to offer a wide range of design solutions utilizing hydraulic power system technology.

SAUER-SUNDSTRAND specializes in integrating a full range of system components to provide vehicle designers with the most advanced total-design system.

SAUER-SUNDSTRAND is Your World Source for Controlled Hydraulic Power Systems.

 <p>Heavy Duty Axial Piston Pumps and Motors</p>	 <p>Heavy Duty Bent Axis Variable Motors</p>	 <p>Cartridge Motors/ Compact Wheel Drives</p>
 <p>Medium Duty Axial Piston Pumps and Motors</p>	 <p>Microcontrollers and Electrohydraulic Controls</p>	 <p>Hydrostatic Transmission Packages</p>
 <p>Open Circuit Axial Piston Pumps</p>	 <p>Gear Pumps and Motors</p>	 <p>Genuine Service Parts</p>

Worldwide Service Support

SAUER-SUNDSTRAND provides comprehensive worldwide service for its products through an extensive network of Authorized Service Centers strategically located in all parts of the world.

Look to SAUER-SUNDSTRAND for the best in WORLDWIDE SERVICE.

