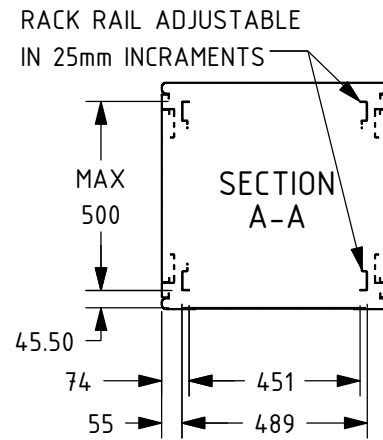
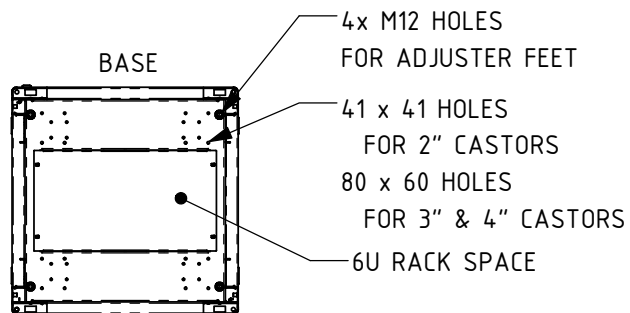
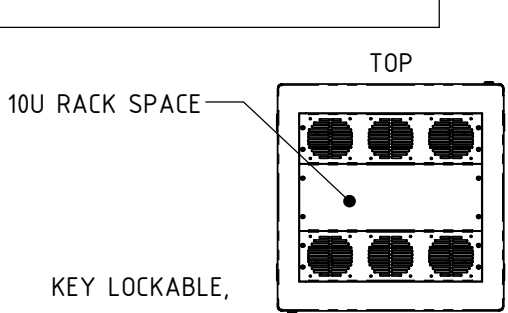


DRAWING NUMBER R4066		THIRD ANGLE PROJECTION		ISS. A	DESCRIPTION INITIAL ISSUE	DRAWN CAJH	DATE 21.3.17	APP'D
USED ON								



Part No	H
R4066-06UK	368.2
R4066-09UK	501.55
R4066-12UK	634.9
R4066-15UK	768.25
R4066-18UK	901.6
R4066-22UK	1079.4
R4066-27UK	1301.65
R4066-32UK	1523.9
R4066-35UK	1657.25
R4066-37UK	1746.15
R4066-42UK	1968.4
R4066-45UK	2101.75
R4066-47UK	2190.65

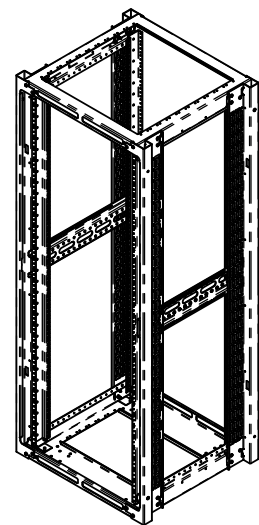
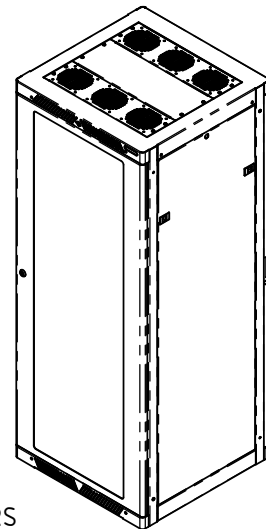
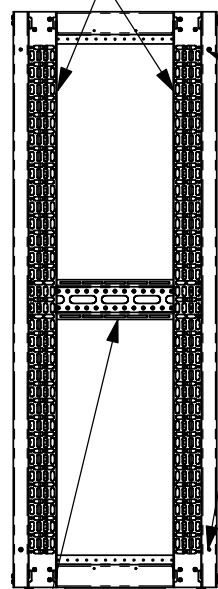
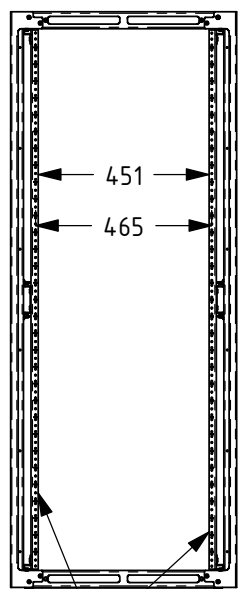
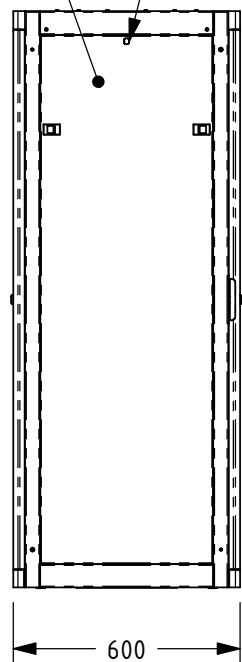
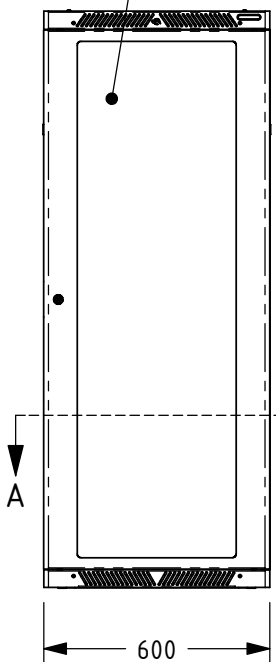
KEY LOCKABLE, REVERSABLE, FRONT & REAR DOORS

REMOVEABLE SIDE DOORS

KNOCK-OUT FOR OPTIONAL KEY LOCK

INTEGRAL CABLE TRAYS

M6 BAYING HOLES



MATERIAL MILD STEEL	FINISH BLACK POWDER COAT
-------------------------------	------------------------------------

TOLERANCES UNLESS OTHERWISE STATED LINEAR ANGULAR X.X ±0.5 X ±0.5° X.XX ±0.1 X.X ±0.1°
ALL DIMENSIONS IN mm SCALE 1:20

CUSTOMER WORKS
TITLE 600 x 600 FULL RACK TOWER

<small>THIS DOCUMENT CONTAINS INFORMATION PROPRIETARY TO PENN ELCOM LTD. AND SHALL NOT BE REPRODUCED NOR TRANSFERRED TO OTHER DOCUMENTS NOR DISCLOSED TO A THIRD PARTY OR USED FOR ANY PURPOSE OTHER THAN FOR WHICH IT IS FURNISHED WITHOUT THE WRITTEN PERMISSION OF PENN ELCOM LTD.</small>	
DRAWING NUMBER R4066	SHEET No. 1 OF 4