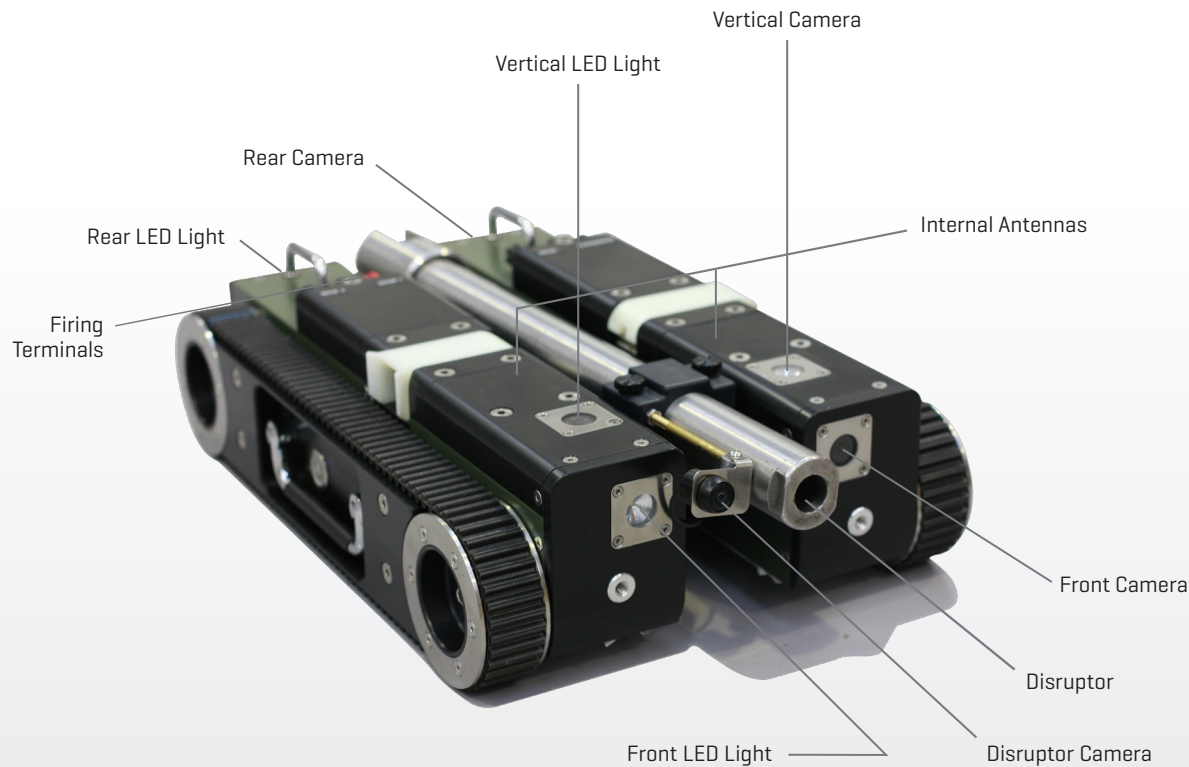


Remote Disruptor Platform



Features

- Dedicated drive joystick, easily maneuverable with relayed COFDM radio control
- Remotely adjustable disruptor position
- Remote arming and firing
- Replaceable disruptor mount, allowing quick change and mounting of disruptors and de-armers
- Can be transported remotely by larger vehicle

Height	125mm
Length	432mm
Width	306mm
Weight	16kg
Speed	0.5m/s



Under Vehicle Capabilities

RDP – The unique and versatile Remote Disruptor Platform enables the operator to have under vehicle observational, remote disruptor arming and detonation capabilities. The RDP has as its own remotely operated fail safe firing system.

Communication

Control of the RDP is through the command console which is relayed through the larger robot to the RDP. This ensures that the attenuated signal from the RDP, due to the fact that its antennae is close to the ground, has sufficient power to communicate to the larger robot which is at a close proximity and can relay radio signals large distances through its proven COFDM link to the command console.



Problem

Low-to-the-ground robots often encounter difficulties traversing terrain such as long grass, sand or water and obstacles such as stones or steps can inhibit them completely. These obstacles can be easily traversed by a larger vehicle, but these in turn encounter difficulties in confined or hard to reach areas such as in-between cars or under vehicles.

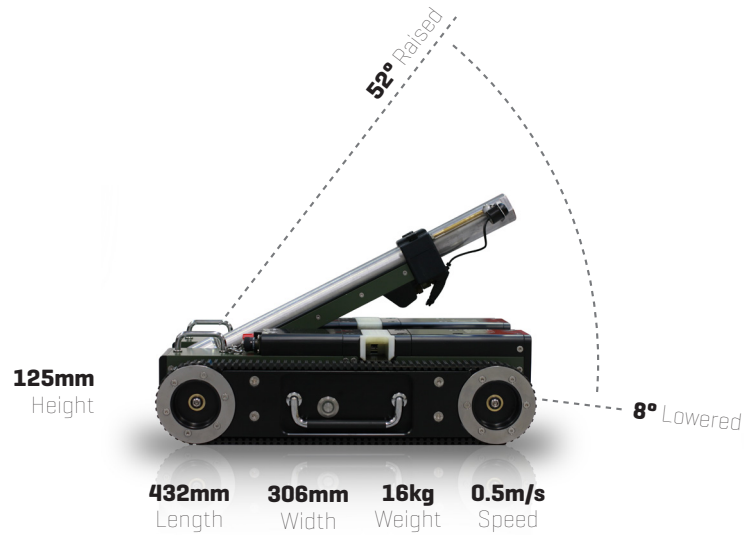
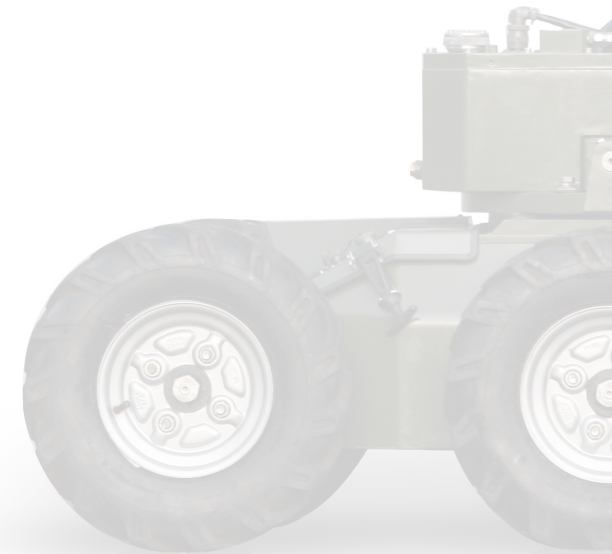
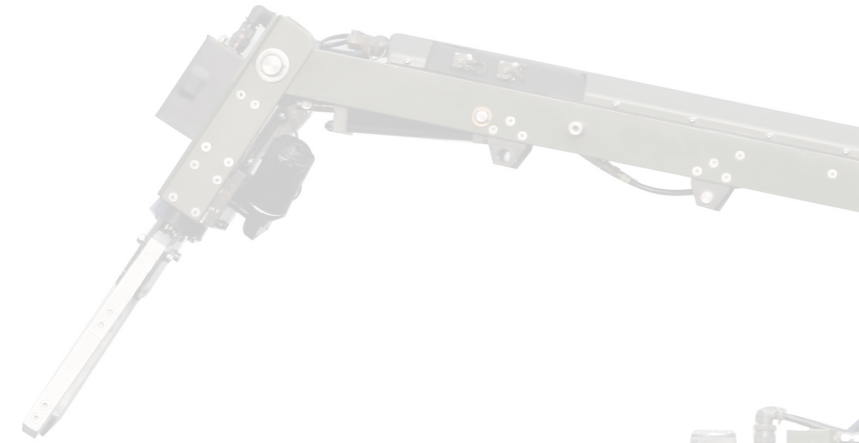
Solution

The design of the RDP facilitates the larger robot to carry the RDP to its required location traversing the difficult terrain and remotely deploying the RDP so it can reach and target the desired threat area.



Tel +353 [0] 66 7120500
Fax: +353 [0] 66 7117475

Email: info@reamda.com
Web: www.reamda.com



Remote Disruptor Platform

Digital HOBOT