



THE **ARIA.**
LED AREA LIGHT



ARL SERIES



THE **SUPERIOR ARL** SERIES

	ARL 460	120W 100W 65W
	ARL 480	250W 200W 150W
	ARL 460	380W 300W

A photograph of a tennis court at night. The court is illuminated by several tall, bright LED lights. The court surface is green with white lines, and the surrounding area is reddish-brown. A net is visible in the center of the court. The background shows trees and a building under a dark sky.

**WE CONTINUE TO BRING
ADVANCED LED TECHNOLOGY
TO THE LIGHTING INDUSTRY.**

THE ARIA.

PRODUCT OVERVIEW



Optical Distribution.

Type II , Type III, Type IV , and Type V are available to address area and flood lighting needs.

Color Temperatures.

4000K and 5000K Color Temperature options available.

Quick & Easy entry .

Easy entry allows installation and terminates hidden labor costs.

Finish.

Bronze, white, gray, black, silver and other optional finishes available upon request.

Multiple Mounts

Slip fitter (rounded-edge), extension arm, trunnion, wall and pole bracket mounts available.



Streamlined Structure.

Designed with heat dissipating fin feature, for wind resistance, longer durability and better performance.



Sensor Options.

When specified, motion sensor and photocell control options are available for the luminaire.



Die-cast Housing.

Rugged, die-cast aluminum housing for maximum durability of the luminaire.

IP65-rated Luminaire.

IP65-rated electrical and optical assembly ensures protection from harsh environmental factors to ensure durability and longevity.

Product Description.

UL wet listed die-cast aluminum construction with impact resistant UV Stabilized polycarbonate linear prismatic lens complete with stainless steel hardware. Mounts to 4" junction box with wall mount option, plus tenon mount using slipfitter, trunnion for surface mount, square pole bracket and extension arm mount depending on application requirements.

- Designed for maximum aesthetic appeal and thermal management
- Multiple mounting configurations for maximum application versatility
- Attractive fin design for thermal management
- LG® 3535 or CREE® XPG2 LED's and YG® driver technology
- Dimming option available
- Precision die cast
- IP65 rated fixture for outdoor use
- Chip and fade resistant powder coat finish in any color
- Precision Type II, III, IV, V optics
- Industrial grade, 3 or 5 pin Photocell Receptacle
- **NOT AVAILABLE FOR CANADIAN MARKET**

THE ARIA.

LED INSTALLATION GUIDE

FOR THE ARL 460 / 480 SERIES

! IMPORTANT

READ BEFORE REMOVING FIXTURE FROM CARTON. RETAIN FOR FUTURE REFERENCE.

This fixture must be wired and installed in accordance with the NATIONAL ELECTRICAL CODE and all state and applicable local codes and ordinances. These codes and ordinances supersede any and all instruction contained herein. Installation should be performed only by a licensed and bonded electrician and a person familiar with the construction and operation of the product and the hazards involved in the installation and operation of this product. Proper grounding is required for safety. Make certain power is OFF before installing or maintaining fixture.

! WARNING

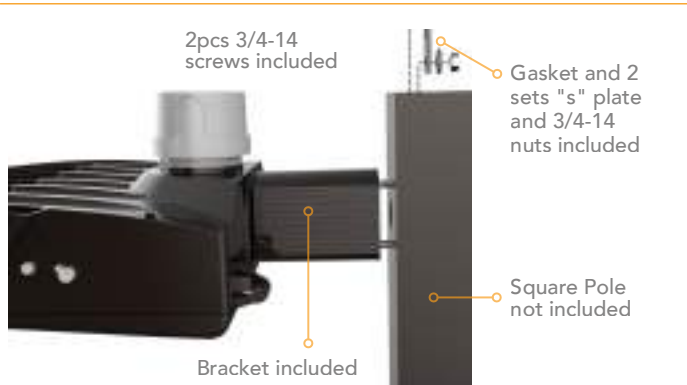
RISK OF FIRE, PERSONAL INJURY OR ELECTRIC SHOCK

Disconnect the Electrical supply power at the service panel (fuse or circuit breaker box). Failure to do so may increase the RISK OF PERSONAL INJURY, PROPERTY DAMAGE, FIRE, AND DEATH. Only qualified electricians should install this fixture and the installation MUST conform to the Canadian Electrical Code Part I and all local codes and ordinances. Ensure that only proper tools, materials, and equipment are used to complete the installation. This LED luminaires are designed for outdoor, wet location use not to exceed 40C ambient . For thru-branch utilize min 18# 90 wire. The manufacturer takes no responsibility for the product not installed under those guidelines and those contained in this document. See wiring diagram on back.



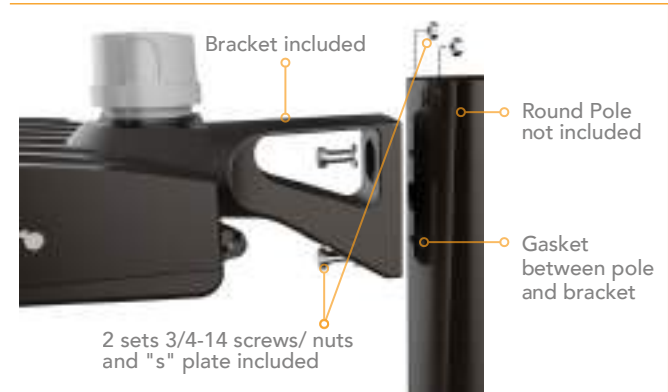
For the Slip Fitter mount (Rounded - Edge) :

1. Fitting the bracket with pole
2. Screw the 4 pcs 5/16-14 screws tightly
3. Screw the adjust screw of the bracket to adjust the angle of the lighting fixture
4. Connect the wire per wiring method in the door of the light pole



For the Extension Arm mount:

1. Fitting the bracket with light pole by 2 pcs 3/4-14 screws and "s" plate and 3/4-14 nuts, Caution--- the gasket will be used between the light pole and bracket for waterproof.
2. Connect the wire per wiring method in the door of the light pole.



For the Pole Bracket mount:

1. Fitting the bracket with light pole by 2 pcs 3/4-14 screws and "s" plate and 3/4-14 nuts, Caution---the gasket will be used between the light pole and bracket for waterproof.
2. Connect the wire per wiring method in the door of the light pole.

THE ARIA.

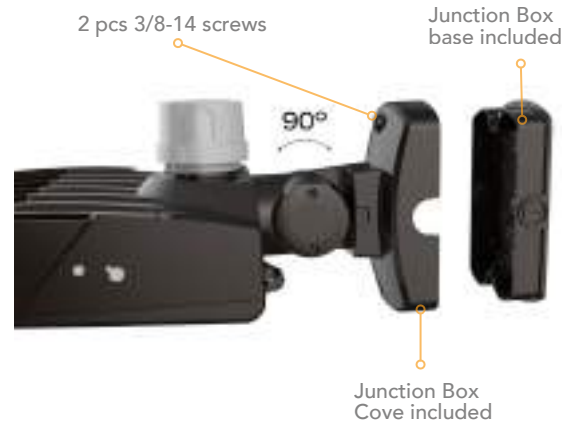
LED INSTALLATION GUIDE

FOR THE ARL 460 / 480 SERIES



For the Trunnion mount:

1. Fitting the bracket with light pole or wall by 2 pcs 3/4-14 screws.
2. Connect the wire per wiring method in the door of the light pole.



For the Wall mount:

1. First mount the Junction Box to the wall by 4 pcs 10-24 screws
2. Connect the wire per wiring method in the door of the light pole.
3. Fix the Junction Box cover with Junction Box base together by 2 pcs 3/8-14 screws.

ACCESSORIES



Motion Sensor.



Photocell.



Slip Fitter.



Trunnion.



Pole Bracket.



Extension Arm.

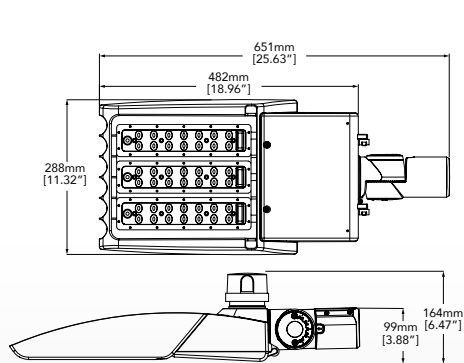


Wall Mount.

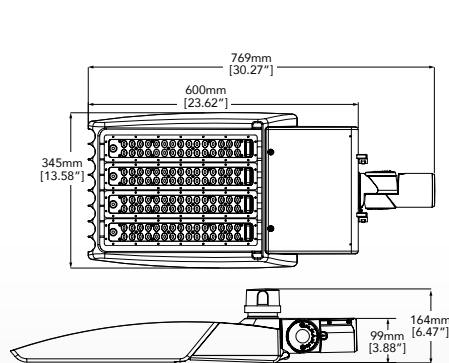


SP1 Surge Protector.

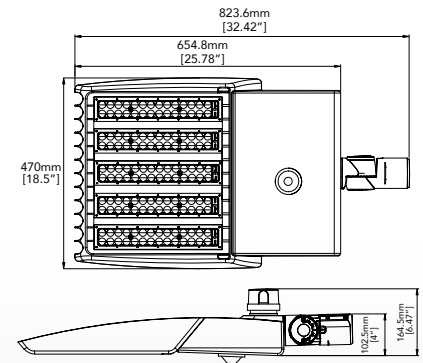
LINE DRAWING



ARL460



ARL480



ARL500

THE ARIA.

PRODUCT SPECIFICATIONS



ARL 460

65W
100W
120W



ARL 480

150W
200W
250W



ARL 500

300W
380W

CERTIFICATIONS

- DLC 4.2 Premium
- cUL-us Listed

SPECIFICATION & VARIATIONS

Sample

ARL480-250W-40K-V8-D-PC-T5-S1-BZ-SF

BODY TYPE	SYSTEM WATTAGE	CCT	VOLTAGE	DIMMING OPTION	ELECTRICAL (PHOTOCELL)	ELECTRICAL OPTICS	SURGE PROTECTOR	HOUSING FINISH	MOUNTING
ARL480 -	250W -	40K -	V8 -	D -	PC -	T5 -	S1 -	BZ -	SF
ARL460	65W 100W 120W	40K = 4000K 50K = 5000K	V1 = 120V V2 = 208V V3 = 220V V4 = 240V V5 = 277V V8 = 120-277V	D = Dimming N = Non-Dimming	PC = Photocell NA = None	T2 = TYPE II T3 = TYPE III T4 = TYPE IV T5 = TYPE V	NA = None S1 = Surge Protector	BZ = Bronze WH = White BK = Black SL = Silver GY = Gray	WM = Wall Mount SF = Slip Fitter TR = Trunnion EA = Extension Arm PB = Pole Bracket
ARL480	150W 200W 250W								
ARL500	300W 380W								

Contact our sales representative and build your own SKU order number by using the specification & variation table. Please note that any custom built SKU number will delay your shipping schedules. Be sure to include the luminaire's specification in the following order: [Body Type] + [Model Number] + [System Wattage] + [CCT] + [Voltage] + [Dimming Option] + [Electrical Photocell] + [Electrical Optics] + [Housing Finish] + [Mounting]. This section only pertains towards ARL 480 / 460 series SKUs.



PRODUCT SUMMARY

LED Chip:	LG® 3535 or CREE® XPG2 LED
CRI:	≥70
Driver:	Adjustable 0-10V Dimming type is continuous, The product can dim to 10%
THD:	< 20% @ full load
PF:	> 0.9 @ full load, 100V through 277V
Driver Efficiency:	> 88%
Warranty:	Warranty: 5 Years (terms and conditions apply).
Ambient Operating Range:	-30°C to 40°C
Rated Life:	More than 100K hours per L70 TM-21 @ 70 °C
Dimensions:	ARL460: 18.96" x 11.32" x 3.88", ARL480: 23.62" x 13.58" x 3.88", ARL500: 18.5" x 6.54" x 32.42",
Weight:	ARL460: 12.66 lbs., ARL480: 22.04 lbs., ARL500: 28.12 lbs.
Electrical:	120-277V operation, 50/60Hz, Single Driver RoHS and IP65
Application:	Ideal for Commercial Office, Parking Lots, Stadiums, Highways. Suitable for use with most wired or wireless lighting control systems. Suitable for Dry or Damp Locations.

THE ARIA.
PRODUCT SPECIFICATIONS

ARIA 460 - 65W									
CCT	SYSTEM WATTAGE	LED WATTAGE	LUMENS (LMS)	LUMENS PER WATT	REPLACES (MH)	CRI	OPTICS INFORMATION	VOLTAGE	WEIGHT
40K	65W	58W	8442	128	150W	≥70	TYPE II	120-277	12.66 lbs.
			7646	116			TYPE III		
			7656	116			TYPE IV		
			8505	129			TYPE V		
50K	65W	58W	8597	131	150W	≥70	TYPE II	120-277	12.66 lbs.
			7789	118			TYPE III		
			7756	118			TYPE IV		
			8511	130			TYPE V		
ARIA 460 - 100W									
CCT	SYSTEM WATTAGE	LED WATTAGE	LUMENS (LMS)	LUMENS PER WATT	REPLACES (MH)	CRI	OPTICS INFORMATION	VOLTAGE	WEIGHT
40K	100W	90W	12359	127	250W	≥70	TYPE II	120-277	12.66 lbs.
			11388	117			TYPE III		
			11376	116			TYPE IV		
			12485	128			TYPE V		
50K	100W	90W	12517	131	250W	≥70	TYPE II	120-277	12.66 lbs.
			11431	118			TYPE III		
			11598	120			TYPE IV		
			12480	130			TYPE V		

To view photometrics visit our website.

THE ARIA.
PRODUCT SPECIFICATIONS



ARIA 460 - 120W									
CCT	SYSTEM WATTAGE	LED WATTAGE	LUMENS (LMS)	LUMENS PER WATT	REPLACES (MH)	CRI	OPTICS INFORMATION	VOLTAGE	WEIGHT
40K	120W	108W	14499	123	300W	≥70	TYPE II	120-277	12.66 lbs.
			13357	113			TYPE III		
			13409	113			TYPE IV		
			14619	124			TYPE V		
50K	120W	108 W	14668	125	300W	≥70	TYPE II	120-277	12.66 lbs.
			13515	115			TYPE III		
			13547	115			TYPE IV		
			14717	125			TYPE V		
ARIA 480 - 150W									
CCT	SYSTEM WATTAGE	LED WATTAGE	LUMENS (LMS)	LUMENS PER WATT	REPLACES (MH)	CRI	OPTICS INFORMATION	VOLTAGE	WEIGHT
40K	150W	135W	19703	140	400W	≥70	TYPE II	120-277	22.04 lbs.
			18322	130			TYPE III		
			18268	129			TYPE IV		
			19405	138			TYPE V		
50K	150W	135W	19933	142	400W	≥70	TYPE II	120-277	22.04 lbs.
			18539	132			TYPE III		
			17967	128			TYPE IV		
			19535	139			TYPE V		

To view photometrics visit our website.

THE ARIA.
PRODUCT SPECIFICATIONS

ARIA 480 - 200W									
CCT	SYSTEM WATTAGE	LED WATTAGE	LUMENS (LMS)	LUMENS PER WATT	REPLACES (MH)	CRI	OPTICS INFORMATION	VOLTAGE	WEIGHT
40K	200W	180W	24508	130	400W	≥70	TYPE II	120-277	22.04 lbs.
			22675	120			TYPE III		
			22874	121			TYPE IV		
			24222	128			TYPE V		
50K	200W	180W	24794	132	400W	≥70	TYPE II	120-277	22.04 lbs.
			22943	122			TYPE III		
			22594	120			TYPE IV		
			24384	130			TYPE V		
ARIA 480 - 250W									
CCT	SYSTEM WATTAGE	LED WATTAGE	LUMENS (LMS)	LUMENS PER WATT	REPLACES (MH)	CRI	OPTICS INFORMATION	VOLTAGE	WEIGHT
40K	250W	225W	30775	125	400W	≥70	TYPE II	120-277	22.04 lbs.
			28105	115			TYPE III		
			27463	114			TYPE IV		
			30767	125			TYPE V		
50K	250W	225W	31134	127	400W	≥70	TYPE II	120-277	22.04 lbs.
			28437	116			TYPE III		
			28107	115			TYPE IV		
			30973	126			TYPE V		

To view photometrics visit our website.

THE ARIA.
PRODUCT SPECIFICATIONS





ARIA 500 - 300W									
CCT	SYSTEM WATTAGE	LED WATTAGE	LUMENS (LMS)	LUMENS PER WATT	REPLACES (MH)	CRI	OPTICS INFORMATION	VOLTAGE	WEIGHT
40K	300W	270W	39000	130	1000W	≥70	TYPE II	120-277	28.12 lbs.
			36000	120			TYPE III		
			36000	120			TYPE IV		
			39000	130			TYPE V		
50K	300W	270 W	39000	130	1000W	≥70	TYPE II	120-277	28.12 lbs.
			36000	120			TYPE III		
			36000	120			TYPE IV		
			39000	130			TYPE V		
ARIA 500 - 380W									
CCT	SYSTEM WATTAGE	LED WATTAGE	LUMENS (LMS)	LUMENS PER WATT	REPLACES (MH)	CRI	OPTICS INFORMATION	VOLTAGE	WEIGHT
40K	380W	342W	49400	130	1000W	≥70	TYPE II	120-277	28.12 lbs.
			45600	120			TYPE III		
			45600	120			TYPE IV		
			49400	130			TYPE V		
50K	380W	342W	49400	130	1000W	≥70	TYPE II	120-277	28.12 lbs.
			45600	120			TYPE III		
			45600	120			TYPE IV		
			49400	130			TYPE V		

To view photometrics visit our website.

Ready to Order or have any questions?

Contact us for any additional information, such as IES documentation and lighting specification Sheets, or please visit us online at: www.eranindustrial.com

 **Office**
1.844.411.LITE

 **Sales**
sales@eranindustrial.com

Office Location.



USA Office
3500 NW 2nd Avenue,
Ste 717 Boca Raton,
Florida 33431



CHINA Headquarters
17/F Guangbo Mansion
#1357 Yinxian Avenue
Yinzhou District
Ningbo, China 315100



**IMPROVE SAFETY AT A
FRACTION OF THE COST**



eran industrial.