

**MODEL "A"**

"A" Series

Regular Design

7" Throat Size

(Shown)

Also available with:

4.5" Throat Size

Or

Offset Design with 7" Throat

"A" SERIES - BASIC DISPOSER				
TYPE	Model No.	HP	PH	Throat Size
REGULAR	A112S-R4	1-1/2	1	4-1/2"
	A112S-R7	1-1/2	1	7"
	A112P-R4	1-1/2	3	4-1/2"
	A112R7	1-1/2	3	7"
	A2S-R4	2	1	4-1/2"
	A2S-R7	2	1	7"
	A2P-R4	2	3	4-1/2"
	A2P-R7	2	3	7"
	A3P-R4	3	3	4-1/2"
	A3P-R7	3	3	7"
OFFSET	A5P-R4	5	3	4-1/2"
	A5P-R7	5	3	7"
	A112S-07	1-1/2	1	7"
	A112P-07	1-1/2	3	7"
	A2S-07	2	1	7"
	A2P-07	2	3	7"
A3P-07	3	3	7"	
A5P-07	5	3	7"	

**OPTIONAL FEATURES:**

- For Hard Chrome option, add HC to the end of the disposer model number.
- ADAPTOR KITS:** Adaptor kits are available to allow installation of Red Goat Disposers to virtually any sink or cone size or configuration. Refer to "Adaptor Kit Selection Guide" for specific kit model numbers.

**PRODUCT INFORMATION:**

- APPLICATION:** Medium size restaurant kitchen. Ideal for vegetable preparation, salad and pot sink areas of large kitchens. Complies with military specifications, including shipboard use. Can be used with salt water applications (specify HC option).

**DESIGN AND CONSTRUCTION:**

- Waste chamber design permits dual directional operation when used with reversing control or switch, doubling the life cycle of the shattering mechanism. Regular waste chamber available with either a 4-1/2" or 7" throat size.
- Tight tolerance in the cutting mechanism allows for approximately 1/8" or 3.175mm or less of waste to pass through to sanitary.
- Basic body components are cast gray iron, machined, primed and powder coated. 8" Diameter rotor with (2) bolt-on reversible impact bars and sizing ring are cast ductile iron, machined, balanced and heat treated.
- Bolt-on, threaded discharge flange for easy removal and ridged drain connection. Also includes flexible drain connector that slips over flange and fastens quickly to either metal or PVC drain line (2" pipe size). This allows installer options that best fit their need.
- Stainless steel legs and feet, adjustable from 0" to 2".
- Disposer connects to Cone or Sink Assembly by means of a neoprene isolation sleeve and (2) stainless steel clamps.
- Offset Design: For maximum space utilization, disposer is also available with an 8" offset waste chamber for both Cone and Sink attachments. (Available with 7" diameter throat size only)

**MOTOR:**

- Reversing, continuous duty, 1725 RPM (1425RPM, 50Hz), full rated horsepower, double sealed, permanently lubricated ball bearings.
- Thermal overload protection with manual reset button.
- Available for single phase or three phase installations.
- Available in 1-1/2HP for light waste, 2HP for standard use, 3 & 5HP for heavy duty use.
- Dual voltage windings allow multi-voltage operation by motor lead connection (see motor wiring diagram). 115-230V, 60Hz; 110/220V, 50Hz, 1Ph; 208-230/460V, 60Hz; 208/415V, 50Hz, 3Ph.

- CONTROLS: NOTE:** Electrical switches or control centers not included, must be selected as required.

**PLUMBING:**

- 8GPM @ 20PSIG, 1/2" NPT
- 2" Drain line with trap
- Not grease trap compliant

**ELECTRICAL:**

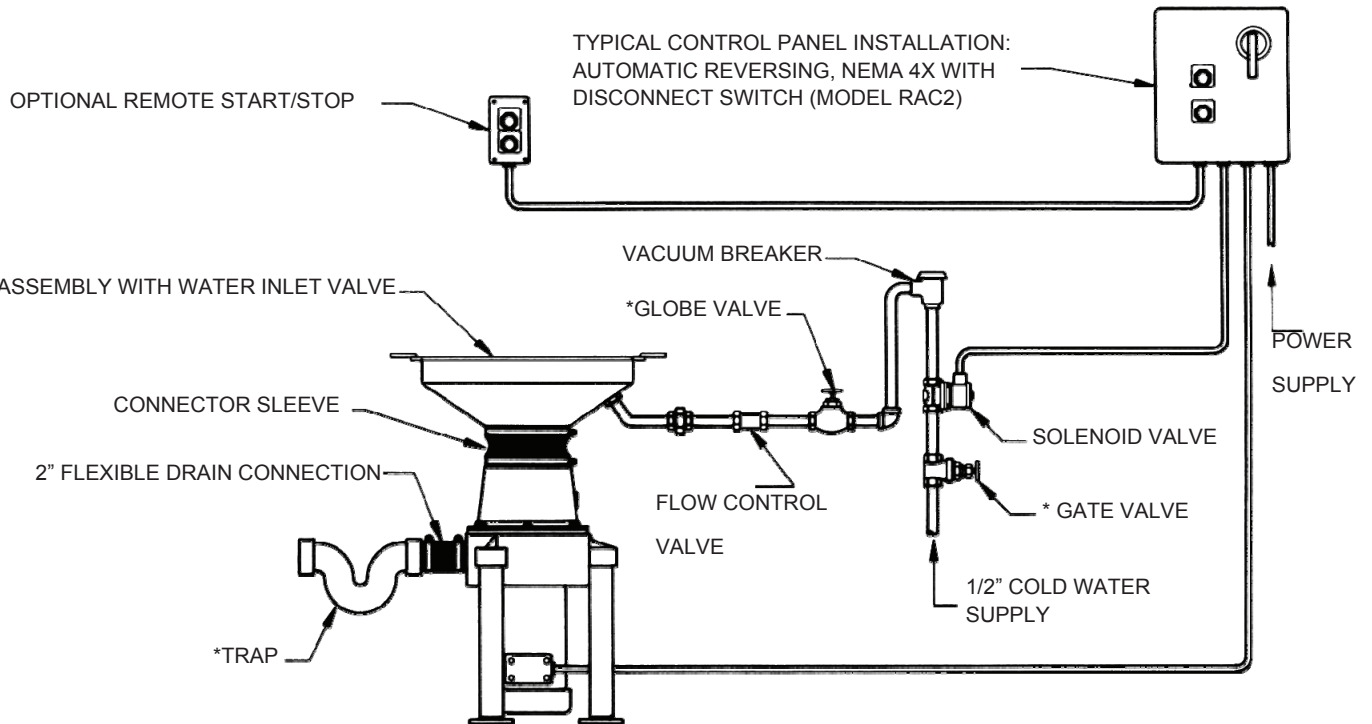
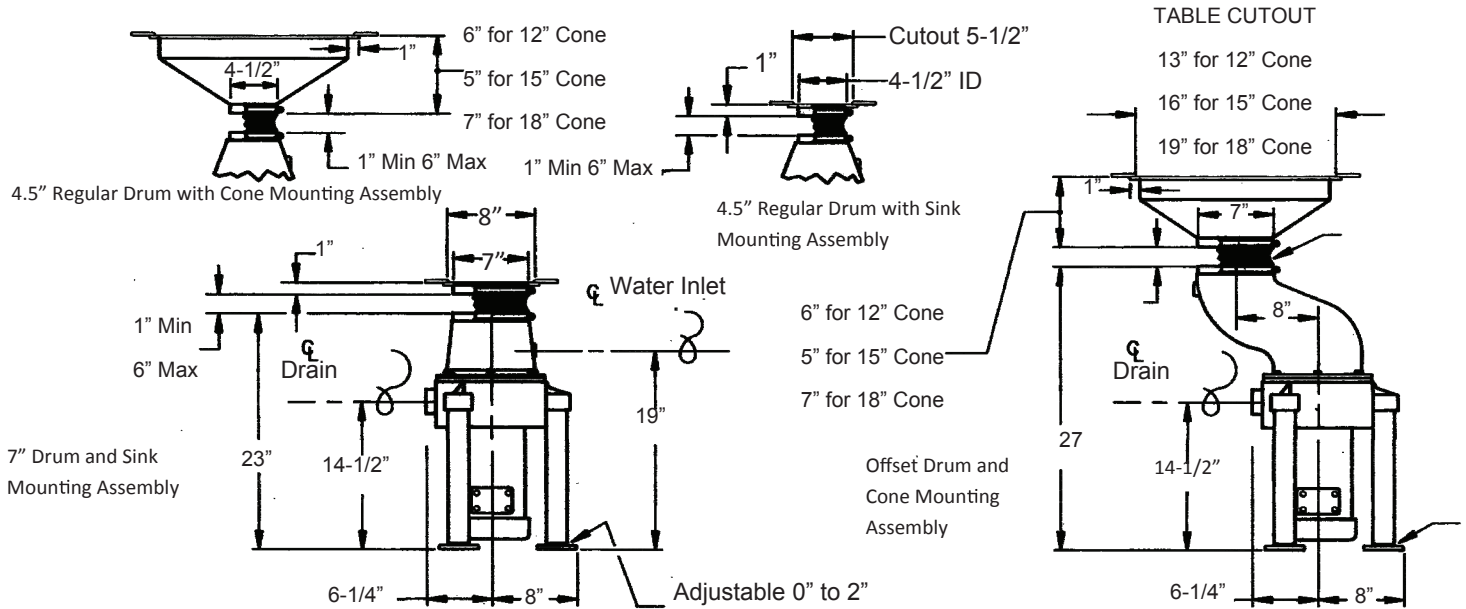
- Please refer to electrical requirements on the last page.

# MODEL "A"



HP	THREE PHASE		THREE PHASE		SINGLE PHASE		SINGLE PHASE	
	Volts/60Hz	Amps	Volts/50Hz	Amps	Volts/60Hz	Amps	Volts/50Hz	Amps
1.5	208	4.4	208	4.8	115	16	110	15
	230	4.2			230	8	220	7.5
	460	2.1	415	2.4				
2	208	6	208	6.3	115	17.6	110	19
	230	5.8			230	8.8	220	9.5
	460	2.9	415	3.3				
3	208	9.9	208	10.4	N/A		N/A	
	230	9						
	460	4.5	415	5.2				
5	208	14.8			N/A		N/A	
	230	14	N/A					
	460	7						

NOTE: All dimensions shown at 0" foot height adjustment.



\* These items are not supplied by Red Goat Disposers.