

SHARP

MX-7580N/MX-6580N
Digital Full Colour Multifunctional System



EASE OF USE MEETS EXCEPTIONAL
PRODUCTIVITY CAPABILITY.

You want centralised print management and professional colour
print quality **/This is Why** our MFPs let anyone create great results.

You need great results and maximum efficiency /This is Why the MX-7580N & MX-6580N give you the control to boost your productivity.

Managing your professional print needs in-house can deliver significant cost and control advantages. But working with complex devices can cause unnecessary inefficiencies.

When Sharp designed the MX-7580N & MX-6580N MFPs we did it with ease of use in mind. We've given you control of fast, powerful and intuitive MFPs, with speeds of 75ppm and 65ppm, and print quality that endures throughout the whole print run. With these highly productive MFPs, large and complex jobs can be completed in just minutes, and your costs can be brought under control.

OUTSTANDING QUALITY
& EFFICIENCY

Flexible and customisable

Thanks to features such as the customisable touchscreen control panel with its intuitive controls, the MX-7580N & MX-6580N eradicate the need for trained print operators and enhance everyone's productivity. Accessible as a networked device, or via direct USB input, these MFPs are also equipped to work with a range of public cloud services.

Print faster and smarter

A powerful management console, the MX-PE12 Fiery Print Server Option, gives users centralised control over their high volume print runs. Using industry-leading EFI Fiery FS200 system software, which will work with existing Fiery networks and other MFPs, performance and processing time are both improved. Whether previewing jobs, checking their progress, or scheduling reprints, even the most complex and demanding jobs can be managed quickly and easily.

Enduring quality for all your print needs

Colour reproduction is more vivid and true-to-life than previous models, fine lines are rendered accurately, and any colour adjustments needed are made automatically without stopping the print job.



Technology should work for you /This is Why our printers are so easy to use.

We've designed the MX-7580N & MX-6580N with one thing in mind - ease of use that gives everyone exceptional production capabilities. From the advanced print settings, which make managing paper properties simple, to the intuitive controls, that bring simplicity to the most complex operations, even when printing on embossed paper or creating banners.

The large 10.1-inch touchscreen control panel has an intuitive interface, common to all Sharp MFPs, to make navigating through print jobs simple and efficient; being able to view and edit jobs before printing means you can reduce errors and enhance efficiency. The user interface can also be displayed on a remotely* connected PC or a networked display unit.

There's also a keyboard available as an optional extra, to make data entry as hassle-free as possible.

Sharp understands real ease of use means greater control, which is why users can create their own home screens with drag-and-drop icons, adding unique backgrounds and shortcuts to their favourite and most frequently used features, making repetitive tasks fast, efficient and above all easy.

FULLY CUSTOMISABLE 10.1" TOUCHSCREEN CONTROL PANEL



Fast, flexible, convenient

Occasional users and even visitors can also enjoy the benefits of the MX-7580N & MX-6580N thanks to simple, walk-up print and scan features. A front-mounted USB port enables printing direct from a memory stick, with support for direct printing of common file formats (including pptx, xlsx, docx, PDFs and various graphics files). The contents of the memory stick appear as thumbnails on the touchscreen display, eliminating the need to be networked to the printer in order to use it.

Thanks to a single sign-on option, you can also scan to or print from a range of public cloud services such as Google Drive, OneDrive for Business, and Sharepoint. You can also print conveniently from a mobile with the Sharpdesk Mobile software.



SIMPLE,
WALK-UP
PRINT/SCAN
DIRECT FROM
FRONT MOUNTED
USB PORT

Optimising business efficiency

We also created a range of Optimised Software Solutions to help reduce costs, increase efficiency and improve security. You can boost productivity and enhance profitability with any of our printing, scanning, mobile or workflow solutions; coupled with our Cloud Portal Office and you'll see productivity elevated right across the workgroup.

Cloud Portal Office is our award-winning business-class collaboration service, which connects phones, tablets, PCs, Sharp MFPs and our BIG PAD interactive whiteboards in a single, seamless information environment. In other words, everyone gets on-demand, walk-up access to every document that's stored in the Cloud.

* Requires VNC remote software application.

Technology should help you get the job done /This is Why our printers make ease of use and productivity a priority.

The MX-7580N & MX-6580N have been designed to make light work of high volume print jobs, and are fast enough and robust enough for the most demanding office environments. Scanning can take place at up to 200 two-sided original sheets per minute, which, combined with the impressive print speeds, mean you get the job done on time every time.

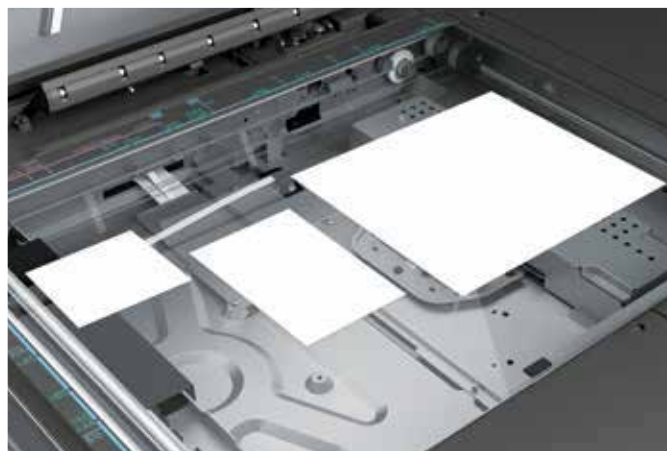
These MFPs have been built with endurance in mind too. With a paper capacity that can be expanded from 3,100 up to 8,500 sheets, they can take on the longest of print runs with ease. You can even replenish paper and toner mid-job, without interrupting the print run. And thanks to Sharp's Developer Refresh System, which discharges old developer gradually and continuously replaces it with new developer, you get stable print quality from the first page to the last.

Additional large capacity and bypass trays allow for the smooth production of a wide variety of professionally finished documents, including banner printing, plus an extensive range of finishing options making it easier to tackle more jobs in-house.

Finishing options

- Standard paper widths from A5 to A3
- Multi-folding unit for Z, C, accordion, double and half-folds
- Saddle-stitch finisher for easy booklet making
- Punch-unit; for bound and hole punched documents
- 100-sheet staple finisher for thick, neatly presented documents
- Trimming module for trimming up to 20 sheets at a time
- Large capacity and bypass trays for smooth handling of wide range of paper

MULTICROP FUNCTION SCANS DIFFERENT SIZED DOCUMENTS SIMULTANEOUSLY



DURABLE FINISHING OPTIONS & LARGE PAPER CAPACITY



Cutting through complexity

A range of advanced functions, such as automated scanning, business card scanning, OCR and multicrop, have been included to improve productivity and efficiency. High performance twinned with an intuitive interface and common-sense controls, will help everyone in your office produce great printed documents time after time.

Productivity is a must for a return on your investment **/This is Why** our printers are built to run at full speed over long periods.

Productivity without reliability can lead to disappointment. With that in mind, the rigid, high-quality construction of the MX-7580N & MX-6580N support any busy working environment, where high-performance, high-volume printing with minimum downtime is required.

Dependable reliability

The optional triple air-feed* system of the MX-7580N & MX-6580N means smooth paper handling with significant advantages over conventional roller feed systems. This prevents some of the most common problems such as jams and multi-feeds, and improves reliability when working with a variety of paper stock.

Easy maintenance access

Maintenance is an important consideration when choosing the right printer. Every minute of maintenance-related downtime is a minute of productivity lost. So with Sharp, you'll find that all the routine maintenance areas can easily be accessed from the front of the machine, reducing the time it takes to clear a paper jam or change toner.

Mounted on a mast that can be seen from across the room, the optional status lamp remains green when everything is OK, but turns red if intervention is required. It's a simple concept but evidence of design values that can make a real difference to office productivity.

STATUS INDICATOR ENSURES OFFICE PRODUCTIVITY REMAINS HIGH



EASY ACCESS TO KEY MAINTENANCE AREAS



* Requires the MX-LC13N

Your data is incredibly valuable /This is Why Sharp works hard to keep it protected.

Sharp uses industry-leading security, including robust user authentication and four progressively comprehensive layers of protection, to protect your network and your all-important data.

SSL/TSL, IPsec, and network protocol filtering are implemented as standard, and it's easy to increase your security further with administrator-level password protection, encrypted storage, and secure data erasure. In addition, Sharp's Data Security Kit option means your job data is automatically encrypted before it is stored on the printer, and once completed that data is erased by 10 automatic overwrites. Plus, with Sharp Document Control*¹ to prevent documents originating from the MX-7580N & MX-6580N being scanned or copied on another Sharp MFP, you can be assured of even greater document security.

Multiple layers of protection

Making it easy for people to use these MFPs is important, but you also need the ability to restrict access at certain times. Thanks to IP/ MAC address filtering, you can manage and restrict users and devices. A further layer of security is applied via S/MIME message signing and encryption to facilitate secure email communication.

For even greater protection, as required by Government, Military and Legal organisations, your IT Administrator can permanently enable*² our fourth mode, which conforms to the Hard Copy Device Protection Profile (HCD PP*³) standard.

There is also an option to embed a watermark, such as "Confidential" or "Not for Copy," onto a document, which can be an important feature for users in certain industry sectors.

Secure document control

Although malicious attacks are high profile, another potential threat to data security can come from simply leaving confidential documents in the output tray where they could be seen by other users. The MX-7580N/MX-6580N prevent this by letting you protect your print job with a print release password, holding the job in a secure print queue until you enter your password at the control panel of the MFP.

Nothing gets left out in the open. Nothing gets mislaid.



FOUR PROGRESSIVELY COMPREHENSIVE
LAYERS OF PROTECTION

*1 Requires Data Security Kit option

*2 Once enabled some functions may not be available

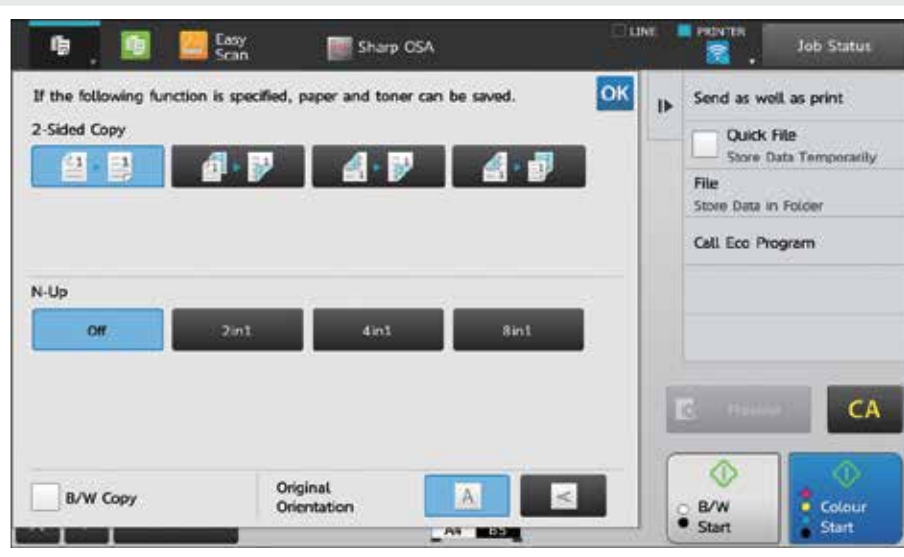
*3 HCD PP ver. 1.0 - non CC

We share people's concerns for the environment **/This is Why** Sharp uses greener technology from design to delivery.

At Sharp, we take our environmental responsibilities seriously and want to help our customers do the same. Whether you have implemented your own formal environmental policy or you just want to reduce the waste of energy and other resources, you can be sure that the MX-7580N & MX-6580N will support your environmental goals.

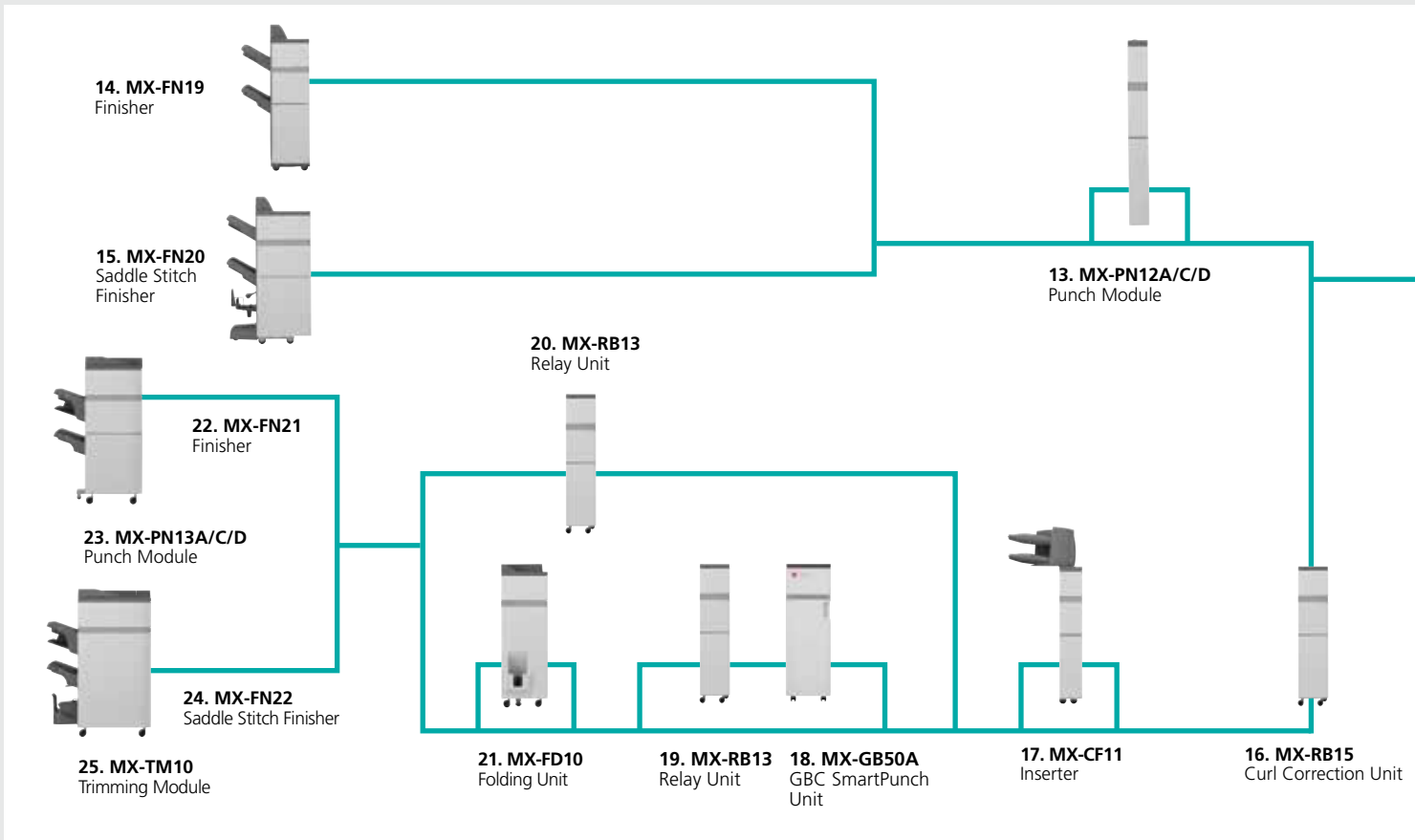
Using past usage patterns, these MFPs will assess how long they should wait between jobs before going into automatic shut-off mode.

Other environmentally-aware features include a scanner equipped with energy-efficient LEDs for lower power consumption, and an Eco Scan mode which prevents the fuser from being heated when the printer is being used for scan-only jobs, saving energy for where it's needed most.



ENVIRONMENTALLY FRIENDLY - RECOMMENDS BEST PRINT/SCAN SETTING TO SAVE ON PAPER & TONER

Configuration Examples

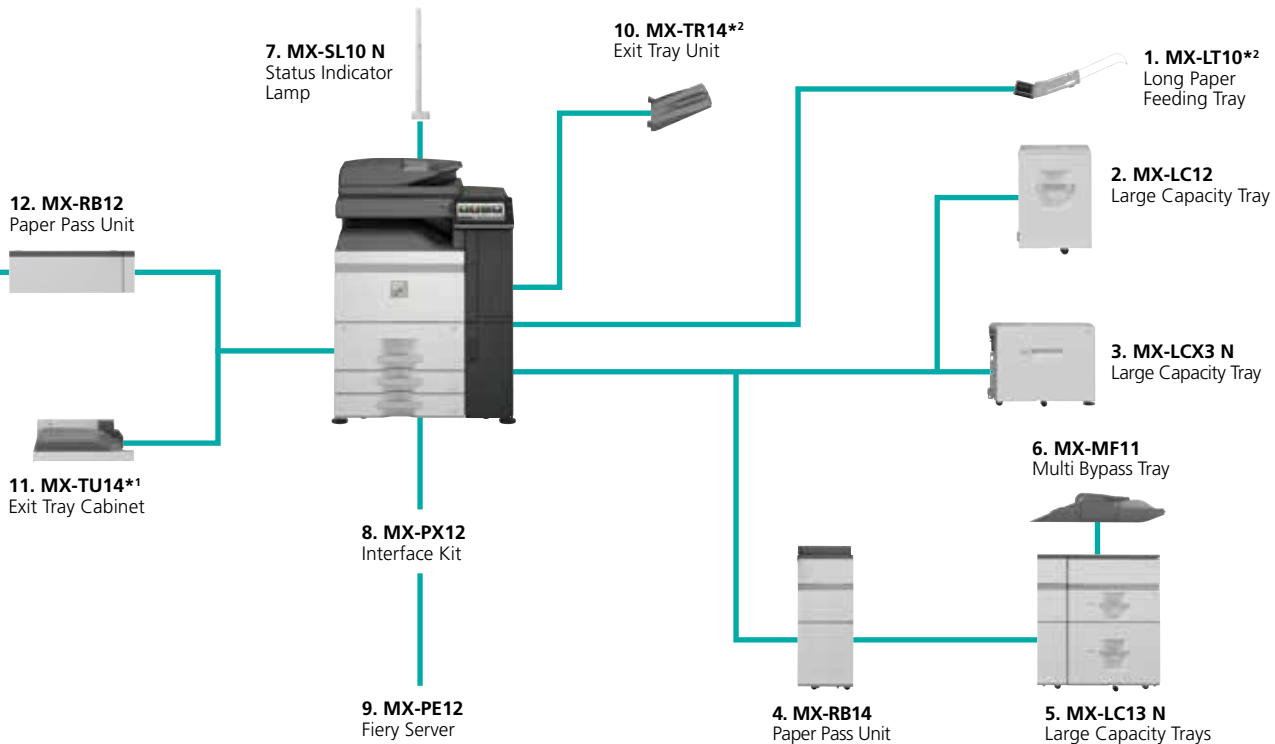


**CONFIGURATION
EXAMPLE 1: IDEAL
FOR USE IN HIGH
PRINT-TURNOVER
ENVIRONMENTS, SUCH AS
SCHOOLS AND COLLEGES,
OR BUSY OFFICES**



- A4 or A3 paper handling
- SRA3 and 300 g/m² via bypass tray
- 6,600-sheet paper capacity (MX LC12)
- 4,000-sheet finisher (MX-FN19)
- 50-sheet stapling
- 2 or 4 hole punching (MX-PN12A/C/D)

Configuration Examples



*1: Required for min. configuration *2: Cannot be used with MX-RB14, MX-LC13 N, and MX-MF11

CONFIGURATION
EXAMPLE 2: IDEAL FOR
PROFESSIONAL QUALITY
IN-HOUSE LIGHT
PRODUCTION PRINTING



- A4, A3 or SRA3 paper handling
- 8,500-sheet paper capacity (MX-LC13N & MX-MF11)
- 4,000-sheet saddle stitch finisher (MX-FN22)
- 100-sheet stapling
- 20-sheet folding unit (MX-FD10)
- 2 or 2/4 hole punching (MX-PN13A/C/D)
- Trimming capabilities (MX-TM10)
- Inserter (MX-CF11)
- Curl correction (MX-CF11)
- Fiery Server (MX-PX12, MX-PE12)
- Status Indicator (MX-SL10 N)

Base Unit

MX-KB13 Keyboard

1. MX-LT10 Long Paper Feeding Tray
Recommended for banner printing.

2. MX-LC12 Large Capacity Tray (A4)
Cannot be installed with MX-LCX3 N or MX-LC13 N.

3. MX-LCX3 N Large Capacity Tray (A3)
Cannot be installed with MX-LC12 or MX-LC13 N.

4. MX-RB14 Paper Pass Unit (between machine and MX-LC13 N).
Must be installed with MX-LC13 N.

5. MX-LC13N Large Capacity Tray (2 drawers)
Cannot be installed with MX-LC12 or MX-LCX3 N.

6. MX-MF11 Multi Bypass Tray
(for MX-LC13 N).

7. MX-SL10N Status Indicator lamp

8. MX-PX12 Interface Kit
Requires MX-PE12.

9. MX-PE12 Fiery Server
Requires MX-PX12.



Long paper feeding tray



Multi bypass tray



Finishing

10. MX-TR14 Exit Tray Unit
Cannot be installed with MX-RB14, MX-LC13 N and MX-MF11.

11. MX-TU14 Exit Tray Cabinet
Required if MX-RB12 is not installed.

12. MX-RB12 Paper Pass Unit (for main machine)
Required if MX-TU14 is not installed and any of the finishers are required.

13. MX-PN12A/C/D Punch Module
(A: 2, C: 4, D: 4 wide)
Requires MX-FN19 or MX-FN20.

14. MX-FN19 Finisher

(4k - 50-sheet staple)
A3 - B5 (offset/staple), SRA3 - A5R (non offset)
Upper tray: 1,550 sheets*
Lower tray: 2,450 sheets*
50-sheet* staple capacity
(front, rear or 2 point stitching).
Requires MX-RB12. Cannot be installed with MX-FN20, MX-FN21 or MX-FN22.



MX-FN19 Finisher

15. MX-FN20 Saddle Stitch Finisher

(4k - 50-sheet staple)
A3 - B5 (offset/staple), SRA3 - A5R (non offset)
Upper tray: 1,550 sheets*
Lower tray: 2,450 sheets*
50-sheet* staple capacity
(front, rear or 2 point stitching)
Saddle stitch tray: 10 sets (11-15 sheets),
20 sets (6-10 sheets), 25 sets (1-5 sheets).
Max 15 sheets per set.
Requires MX-RB12. Cannot be installed with MX-FN19, MX-FN21 or MX-FN22.



MX-FN20 Saddle
Stitch Finisher

16. MX-RB15 Curl Correction Unit

Required if MX-FN21 or MX-FN22 is installed.

17. MX-CF11 Inserter (200-sheet x 2 bin)
Requires MX-RB12 and MX-RB15 as well as MX-FD10 or MX-RB13.
Cannot be installed with MX-FN19 or MX-FN20.



Inserter

18. MX-GB50A GBC SmartPunch Unit

Requires MX-RB13 and either MX-FN21 or MX-FN22

Paper size A4

Available die sets:

21 holes, Plastic Comb

20 holes, Plastic Comb

47 holes, Color Coil

23 holes, Wire 2:1/Square

34 holes, Wire 3:1/Square

34 holes, Wire 3:1/Round

12 holes, VeloBind

34 holes, ProClick

2 holes/Round (8mm pin)

4 holes/Round (8mm pin)

2 holes/Round (6.5mm pin)

4 holes/Round (6.5mm pin)

4 holes Scandinavian

Custom die sets also available on request

Requires MX-RB13 and either MX-FN21 or MX-FN22



CombBind®



WireBind



ProClick®



Color Coil®



2 hole



VeloBind®

* A4 or smaller, 80 g/m2. Some options may not be available in some areas.

19. MX-RB13 Relay Unit (between 100-sheet staple finisher and inserter). Must be installed if MX-GB50A is not required.

20. MX-RB13 Relay Unit (between 100-sheet staple finisher and inserter). Must be installed if MX-FD10 is not required.

21. MX-FD10 Folding Unit
Can only be installed with MX-FN21 or MX-FN22. Must be installed if MX-RB13 is not required.



Folding unit

22. MX-FN21 Finisher (4k - 100-sheet staple)
A3 - B5 (offset/staple), SRA3 - A5R (non offset)
Upper tray: 1,500 sheets*
Middle tray: 250 sheets*
Lower tray: 2,500 sheets*
100-sheet* staple capacity
(front, rear or 2 point stitching)
Requires MX-RB12 and MX-RB15.
Cannot be installed with MX-FN19, MX-FN20 or MX-FN22.



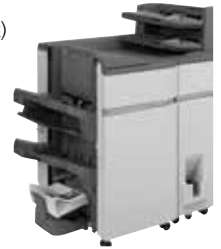
MX-FN21 Finisher

23. MX-PN13A/C/D Punch Module
(A: 2, C: 2/4, D: 4 wide)
Requires MX-FN21 or MX-FN22.

24. MX-FN22 Saddle Stitch Finisher
(4k - 100-sheet staple)
A3 - B5 (offset/staple), SRA3 - A5R (non offset)
Upper tray: 1,500 sheets*
Middle tray: 250 sheets*
Lower tray: 2,500 sheets*
100-sheet* staple capacity
(front, rear or 2 point stitching)
Saddle stitch tray: 5 sets (16-20 sheets),
10 sets (11-15 sheets), 15 sets (6-10 sheets),
25 sets (1-5 sheets). Max 20 sheets per set.
Requires MX-RB12 and MX-RB15.
Cannot be installed with MX-FN19, MX-FN20 or MX-FN21.

24. MX-FN22 Saddle Stitch Finisher
(4k - 100-sheet staple)

A3 - B5 (offset/staple), SRA3 - A5R (non offset)
Upper tray: 1,500 sheets*
Middle tray: 250 sheets*
Lower tray: 2,500 sheets*
100-sheet* staple capacity
(front, rear or 2 point stitching)
Saddle stitch tray: 5 sets (16-20 sheets),
10 sets (11-15 sheets), 15 sets (6-10 sheets),
25 sets (1-5 sheets). Max 20 sheets per set.
Requires MX-RB12 and MX-RB15.
Cannot be installed with MX-FN19, MX-FN20 or MX-FN21.



MX-FN22 Saddle Stitch Finisher

25. MX-TM10 Trimming Module
Can only be installed with MX-FN22.

Faxing

MX-FWX1 Internet-Fax Expansion Kit
MX-FX15 Fax Expansion Kit

Printing

MX-PF10 Barcode Font Kit

Scanning

AR-SU1 Stamp Unit
Marks already scanned documents for checking.

Security

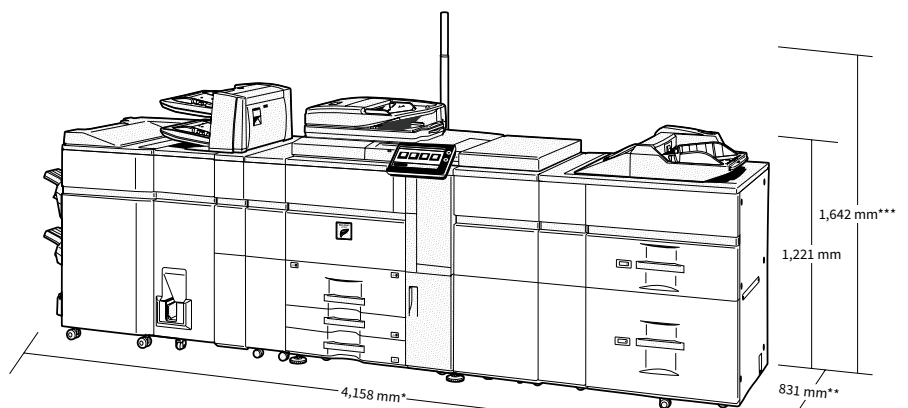
MX-FR55U* Data Security Kit
(non common criteria version)

Sharpdesk Licenses
MX-USX1/X5/10/50/A0
1/5/10/50/100-License Kit

Sharp OSA®
MX-AMX1 Application Integration Module

* Available at a later date

External Dimensions



* 4,422 mm with finisher tray/multi-bypass tray extended.
** 844 mm when control panel is facing upwards.

*** Including Status Indicator.

Shown with options.

Specifications

General

| | | |
|---|--------------|-----------|
| Engine speed (ppm/cpm) (Max) | A4* | A3 |
| MX-7580N | 75 | 36 |
| MX-6580N | 65 | 33 |
| Base Unit Paper size (Min-Max) | | |
| Drawer 1 & 2 | A4 | |
| Drawer 3 | BSR - A3W | |
| Drawer 4 | A5R*2 - A3W | |
| Multi bypass | A5R*2 - SRA3 | |
| Paper weight (g/m ²) | | |
| Drawer 1 & 2 | 60 - 105 | |
| Drawer 3 & 4 | 60 - 220 | |
| Multi bypass | 55 - 300 | |
| Multi bypass (MX-MF11) | 55 - 220 | |
| LCT (MX-LC12 & MX-LCX3 N) | 60 - 220 | |
| LCT (MX-LC13 N) | 55 - 300 | |

| | |
|-------------------------------------|--|
| Paper capacity (Std - Max) | |
| Sheets | 3,100 - 8,500 |
| Drawers | 4 - 6 (plus multi bypass tray) |
| Warm-up time *2 (seconds) | 55 |
| Duplex | Standard |
| Memory | |
| Copier/Printer (shared) | 6 GB |
| HDD*4 | 1 TB |
| Power requirements | |
| | Rated local AC voltage $\pm 10\%$, 50/60 Hz |
| Power consumption (kW) (Max) | 3.84 |
| Dimensions (mm) (W x D x H) | 845 x 844 x 1,221 |
| Weight (kg) | 211 |

Copier

| | | |
|----------------------------------|---|----------------|
| Original paper size (Max) | A3 | |
| First copy time *5 (sec) | Full Colour | B&W |
| MX-7580N | 5.1 | 3.7 |
| MX-6580N | 5.6 | 4.0 |
| Continuous copies (Max) | 9,999 | |
| Resolution (dpi) | | |
| Scan (colour) | 600 x 600 | |
| Scan (B/W) | 600 x 600, 600 x 400 | |
| Print (colour) | 600 x 600, 9,600 (equivalent) x 600 (depending on copy mode) | |
| Print (B/W) | 1,200 x 1,200 dpi, 600 x 600 dpi, 9,600 (equivalent) x 600 dpi (depending on copy mode) | |
| Gradation levels | 256 | |
| Zoom range (%) | 25 - 400 (25 - 200 using DSPF) in 1% increments | |
| Preset copy ratios | 10 (5R/5E) | |

Scanning

| | |
|--------------------------|--|
| Scan method | Push scan (via operation panel) Pull scan (TWAIN-compliant application) |
| Resolution (dpi) | Push scan 100, 150, 200, 300, 400, 600 Pull scan 75, 100, 150, 200, 300, 400, 600 50 - 9,600 via user setting*7 |
| File formats | TIFF, PDF, PDF/A-1b, encrypted PDF, XPS, compact PDF*8, JPEG*9, XPS, searchable PDF, Office Open XML, (pptx, xlsx, docx), txt (TXT), rich text (RTF) |
| Scan destinations | Scan to e-mail, desktop, FTP server, network folder (SMB), USB memory, HDD |
| Scanner utilities | Sharpdesk |

Network Printer

| | |
|---------------------------|--|
| Resolution (dpi) | 1200 x 1200, 600 x 600, 9,600 (equivalent) x 600 |
| Interface | USB 2.0 (host, high speed), 10Base-T / 100Base-TX / 1000Base-T |
| Supported OS | Windows Server® 2008, 2012, 2012 R2, 2016 / Windows Vista® / Windows® 7 / Windows® 8.1 / Windows 10 / Mac OS X, 10.6, 10.7, 10.8, 10.9, 10.10, 10.11, macOS Sierra |
| Network protocols | TCP/IP |
| Printing protocols | LPR, Raw TCP (port 9100), POP3 (e-mail printing), HTTP, FTP for downloading print files, IPP, SMB, WSD |
| PDL | Std PCL6 Emulation, Adobe® PostScript® 3™ |
| Available fonts | PCL 80 Genuine Adobe® PostScript® 3™ 139 |

Document Filing

| | |
|------------------------------------|--|
| Document filing capacity ** | (pages/or files) |
| Main folder & Custom Folder | 35,000 or 5,000 |
| Quick file folder | 10,000 or 1,000 |
| Stored jobs | Copy, print, scan, fax transmission*10 |
| Storage folders | Quick folder, main folder, custom folder (max.1,000) |
| Confidential storage | Password protection |

Wireless LAN

| | |
|-----------------------------|---|
| Compliant regulation | IEEE802.11n/g/b |
| Access mode | Infrastructure mode, Software AP mode |
| Security | WEP, WPA Personal, WPA Enterprise*5, WPA2 Personal, WPA2 Enterprise*6 |
| Preset copy ratios | 10 (5R/5E) |

Fiery® Print Server (optional MX-PE12 and MX-PX12 required)

| | |
|------------------------------------|--|
| Server type | Embedded server |
| System software | Fiery FS200 |
| CPU type | Intel® Pentium® G1820, 2.7 GHz |
| Memory | 2GB RAM, 500GB HDD |
| Supported OS | Windows Server® 2008, Windows Server® 2008 R2, Windows Server® 2012, Windows Server® 2012 R2, Windows Server® 2016, Windows Vista®, Windows® 7, Windows® 8.1, Windows® 10, Mac OS X 10.7, 10.8, 10.9, 10.10, 10.11, macOS Sierra |
| Interface | Gigabit Ethernet |
| Power requirements | 100 V to 240 V, 50/60 HZ |
| Power consumption kW (Max) | 0.18 |
| Dimensions (mm) (W x D x H) | 271.5 x 296.9 x 89.4 |
| Weight (approx) (kg) | 5.6 |

Notes

*1: Long-edge feeding. *2: Only short-edge feeding can be used with A5 paper. *3: At rated voltage, 23°C (73.4°F). May vary depending on operating conditions and environment. *4: HDD capacity depends on procurement and sourcing status. *5: Short-edge feeding of A4 sheets from 2nd paper tray, using document glass, without Auto Colour Selection and Auto Colour mode, MFP in fully ready condition. May vary depending on operating conditions and environment. *6: Not applicable to Software AP mode. *7: Resolution will vary depending on the size of the scanned area. *8: Colour/grayscale only. *9: Storage capacity will vary depending on the type of document and the scan settings. *10: Requires optional MX-FX15. *11: Based on Sharp's standard chart with approx. 700 characters (A4 or 8 1/2" x 11" long-edge feeding) at standard resolution in Super G3 mode, 33,600 bps, JBIG compression.
Design and specifications are subject to change without prior notice. All information was correct at time of print. The ENERGY STAR logo is a certification mark and may only be used to certify specific products that have been determined to meet the ENERGY STAR programme requirements. ENERGY STAR is a US registered mark. Windows, Windows XP, Windows Server and Windows Vista are registered trademarks of Microsoft Corporation. All other company names, product names, and logos are trademarks or registered trademarks of their respective owners. ©Sharp Corporation April 2017 Job: (18006). Ref: Brochure MX-7580N / MX-6580N. All trademarks acknowledged. E&OE.

Fax (requires optional MX-FX15)

| | |
|--|--|
| Compression method | MH/MR/MMR/JBIG |
| Communication protocol | Super G3 |
| Transmission time *11 (seconds) | Less than 3 |
| Modem speed (bps) | 33,600 - 2,400 with automatic fallback |
| Transmission resolution (dpi) | Std 203.2 x 97.8 Ultra Fine 406.4 x 391 |
| Recording width | A5 - A3 |
| Memory (GB) (Min - Max) | 1 |
| Grey scale levels | 256 |



Inspiring ideas from technology

www.sharp.co.uk

McDowell & co Ltd TA Leemic
www.leemic.co.uk
 0845 658 0537

