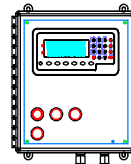
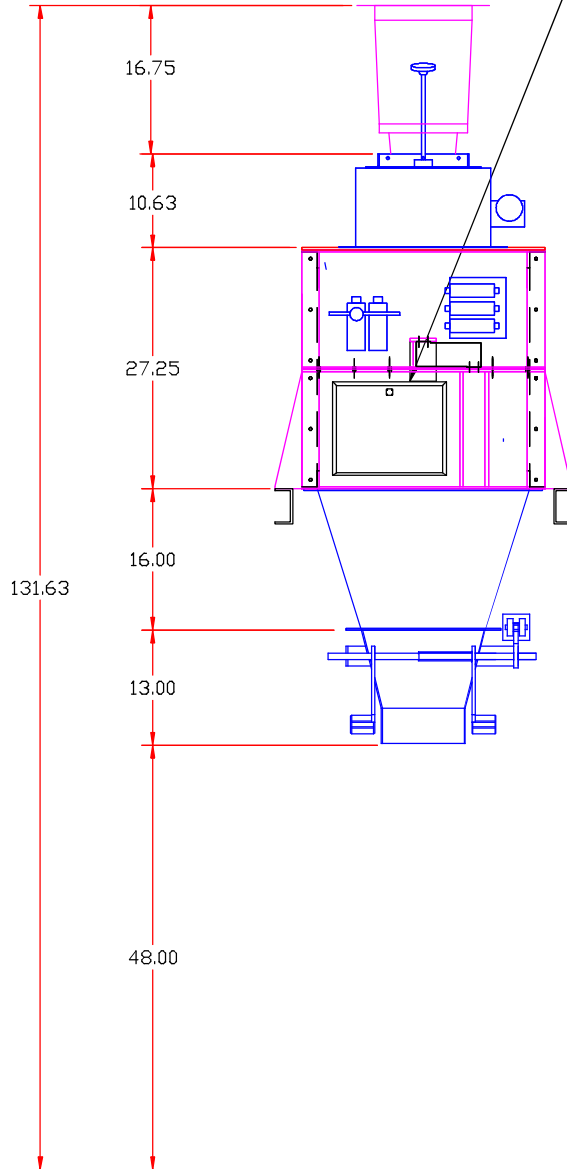
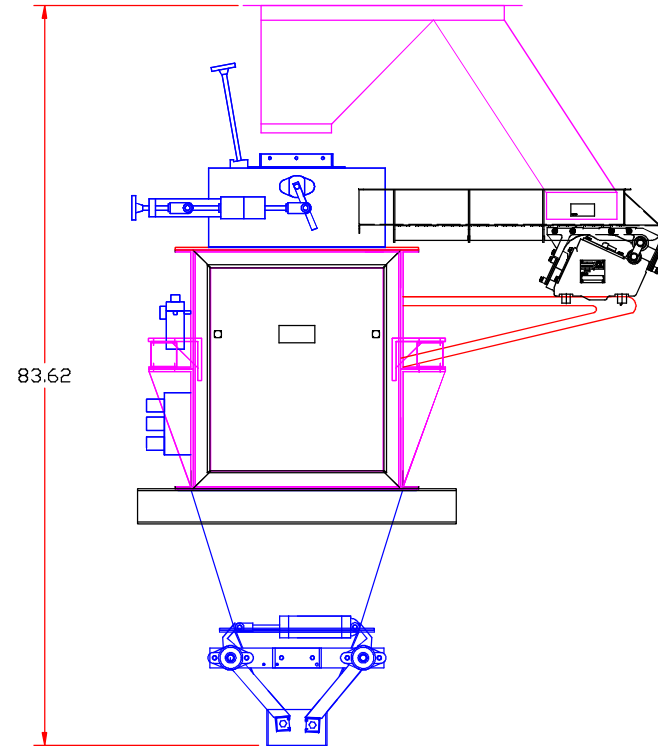


NW1-GV-D EAGLE GRAVITY/VIBE
SIMPLEX NET WEIGH SCALE



WEIGHT BASED PROCESS
CONTROLLER



REV. A	<i>JEM INTERNATIONAL, INC.</i>			
REV. B	6873 MARTINDALE SHAWNEE, KANSAS 66218 (913) 441-4788			
REV. C	NAME NW1-GV-D EAGLE BAGGING SCALE			
REV. D	FOR			
REV. E				
REV. F	TOLERANCE	MATERIAL	SCALE D.N.S.	PART NUMBER S.S.
REV. G	DRAWING NUMBER 410 NW1-GV-D	DRAWN BY COUGHLIN	DATE 05-21-14	PART NUMBER M.S.