

Mantis

OPERATOR / PARTS MANUAL

GB

Battery powered Hedge-Trimmer - Translation of the original operating instructions
Read operating instructions before use!

FR

Taille-haies à accu - Traduction du mode d'emploi d'origine
Lire attentivement le mode d'emploi avant chaque mise en service!

DE

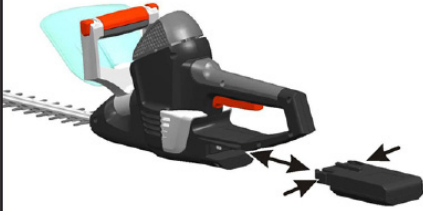
Akku Heckenschere - Originalbetriebsanleitung
Vor Inbetriebnahme Gebrauchsanweisung lesen!



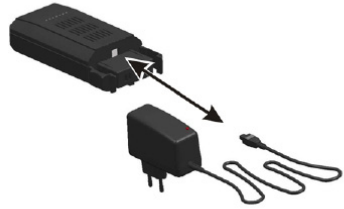
8550-01-38
8550-01-40

CE

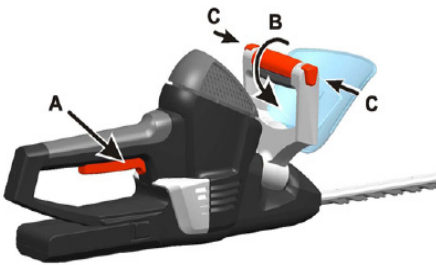
1



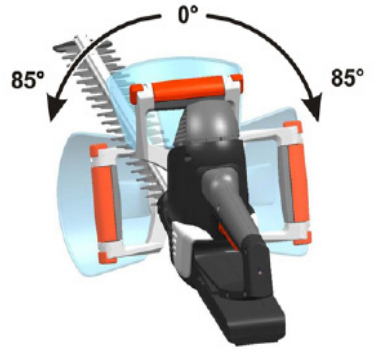
2



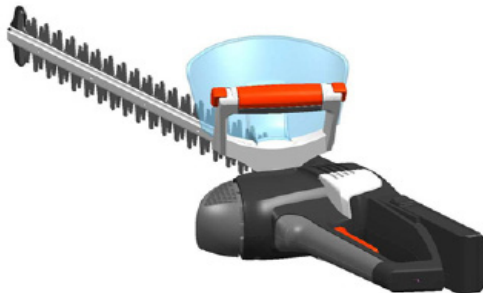
3

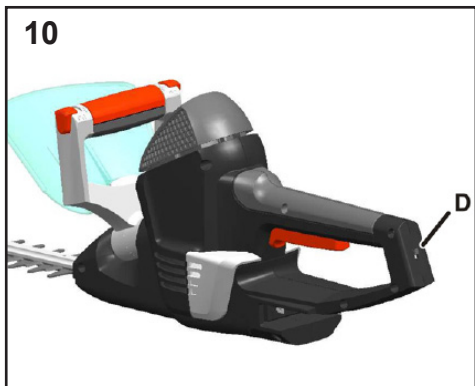
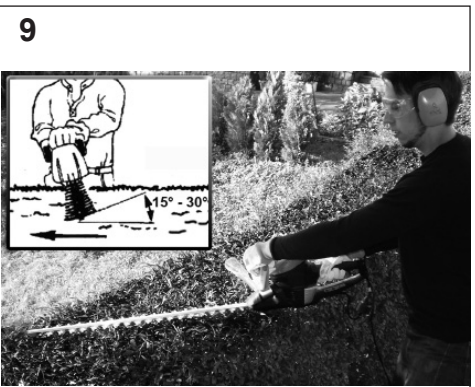
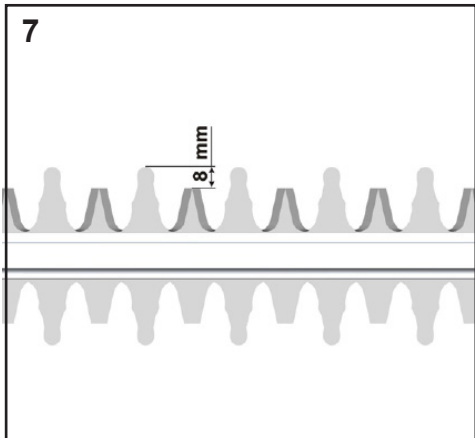
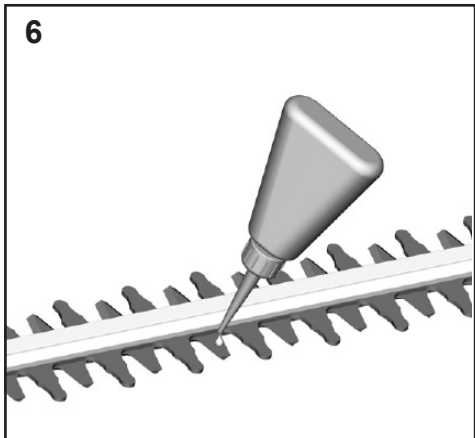


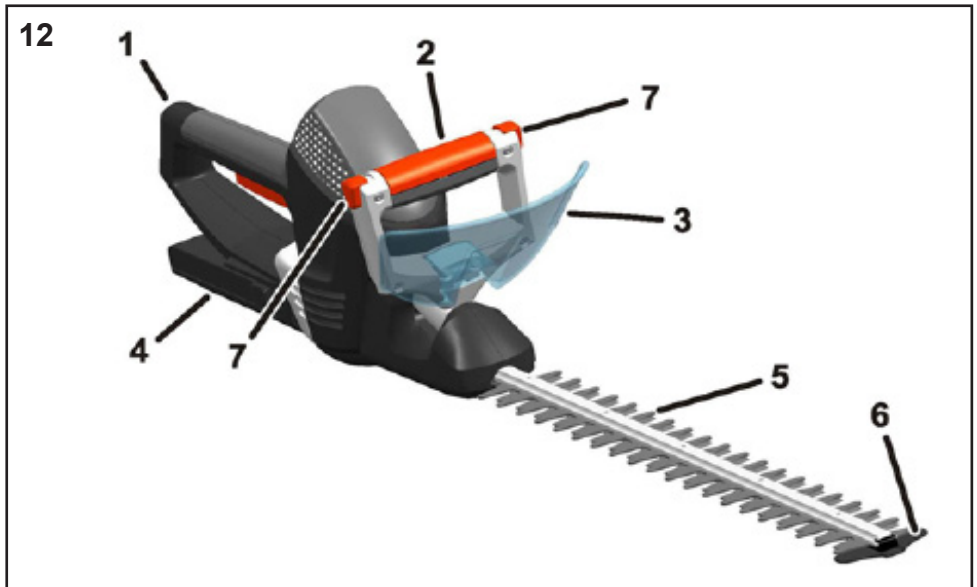
4



5







GB

- 1+2 Operating switches (two-hand operation)
- 3 Hand guard
- 4 Battery
- 5 Blade safety rail
- 6 Impact protector
- 7 Handle lock

FR

- 1+2 Interrupteur (maniement à 2 mains)
- 3 Bouclier de protection
- 4 Accu
- 5 Couteaux de sécurité
- 6 Butée de protection
- 7 Verrouillage de la poignée tournante

DE

- 1+2 Hinterer Handgriff(1) und Drehgriff (2) mit Sicherheitsschalter
- 3 Schutzschild
- 4 Akku
- 5 Sicherheitsmesserbalken
- 6 Anstoßschutz
- 7 Verriegelung Drehgriff

Contents	Page
1. Introduction to the Operating Instructions	GB-2
2. Technical Specifications	GB-2
3. Pictogram illustration and explanation	GB-2
4. General safety instructions	GB-3
5. Application	GB-3
6. General safety instructions	GB-3
1) Working area	
2) Electrical safety	
3) Personal safety	
4) Careful handling and use of power tools	
5) Appropriate handling and use of battery-operated power tools	
6) Service	
7) Safety instructions for hedge trimmers	
7. Instructions for use of the equipment	GB-5
8. Charging the batteries	GB-5
9. Switching the hedge shears on/off	GB-6
10. Adjusting the turning handle	GB-6
11. Holding the hedge trimmer when in use	GB-6
1) Trimming of hedges	
2) In order to achieve an even height	
12. Maintenance	GB-6
1) Sharpening of the blades	
2) Changing the blades	
13. Optimum safety	GB-6
1) Two-hand safety switch	
2) Quick blade stop	
3) Blade safety rail	
4) Impact protector	
5) Gear protection feature	
14. Storing the trimmer after use	GB-7
15. Repair service	GB-7
16. Waste disposal and environmental protection	GB-7
17. Warranty	GB-7
Declaration of Conformity	

GB | Operating Instruction

Battery Hedge-Trimmer

1. Introduction to the Operating Instructions

These Operating Instructions are intended to facilitate your becoming acquainted with the machine and using it in accordance with the regulations. The Operating Instructions contain important information on how to use the machine safely, correctly and economically. Observing this information will help increase the reliability and working life of the machine. The Operating Instructions must always be at hand when the machine is being used.

They must be read and observed by every person dealing with the machine, whether operating, servicing or transporting it. In addition to the Operating Instructions and the applicable rules of the prevention of accidents valid in the country of use and on site, the generally recognised rules on working safely and correctly must be observed as well as the accident prevention rules of the relevant professional associations.

2. Technical Specifications

Model	8550-01-38 UK	8550-01-40 Europe	with Eco-Switch
Operational voltage	24 V DC		
Blade length	550 mm		
Cutting Thickness	20 mm		
Cutting length	506 mm		
Cutting movements	Low = 2.200 min ⁻¹	High = 3.000 min ⁻¹	
Battery type	Li-Ion-24 V / 1,4 Ah		
Idle-run time with a fully recharged battery	Low = approx 60 minutes	High = approx 30 minutes	
Weight	3,05 kg		
Level of noise pressure L _{pA} *	82 dB(A)	K 3,0 dB	
Vibration on the handle*	<2,5 m/s ²	K 1,5 m/s ²	

Battery charger

Mains voltage	230 V ~ / 50 Hz
Charging voltage	25,2 V DC
Charging current	500 mA
Charging time	approx 3,5 hours

* according to EN 60745-2-15

Technical changes are reserved.

3. Pictogram illustration and explanation



1



2



3



4



5



6

- 1 Wear eye and ear protection!
- 2 Warning!
- 3 Read the instruction manual!
- 4 Do not use the tool under wet weather conditions!
- 5 Caution! Risk of injury, sharp blade!
- 6 Attention: Environmental Protection! This device may not be disposed of with general/household waste. Dispose of only at a designated collection point.

GB | Operating Instruction

4. General safety instructions

Noise emission information in accordance with the Product Safety Act (ProdSG) and the EC Machine Directive: the noise pressure level at the place of work can exceed 80 dB(A). In such cases the operator will require noise protection (e.g. wearing of ear protectors).



Attention: Noise protection! Please observe the local regulations when operating your device.

Interference suppressed in accordance with EN 55014, EN 61000-3-2, EN 61000-3-3.

We reserve the right to make changes to the technical specifications.

The devices are manufactured in accordance with the provisions of EN 60745-1 and EN 60745-2-15 and fully comply with the provisions of the German Product Safety Act.

Usage of hedge trimmer always involves a risk of accidents, therefore please observe the relevant accident prevention instructions.

The machine has been constructed according to the latest technology and in accordance with the recognised technical safety regulations. Nevertheless, use of the machine can involve risks to the user or third persons, and can cause damage to the machine or other objects.

Attention: Using electric power tools, you must observe following fundamental safety instructions to protect yourself against electric shock, against danger of injuries and danger of fire. Read all these instructions before using the hedge trimmer and observe them. Keep these safety instructions at a safe place.

Use the machine in a safety conscious manner for suitable applications in a technically perfect condition only and with due regard to the operating instructions! Immediately rectify or have rectified any faults which could adversely affect safety!

This machine may cause serious injuries. Please read the instruction manual carefully as to the correct handling, the preparations, the maintenance and the proper use of the hedgetrimmer. Familiarize yourself with the machine before the first use and also have yourself introduced to practical use of the machine.

5. Application

The machine is only intended for trimming hedges. Use for any other purpose constitutes inappropriate use. The manufacturer / supplier is not liable for any injury and/or damage arising from inappropriate use. This risk is the sole responsibility of the user. Appropriate use of the machine also includes adherence to the operating instructions and compliance with the servicing and maintenance instructions. Always keep the instruction manual close at hand during operation!

6. General safety instructions

Attention! Read all instructions contained herein. Failure to observe the following instructions may result in electric shock, burns and/or severe injury. The term 'power tool' used in the following includes both mains-operated tools (with electric supply) and battery-operated tools (without electric supply).

KEEP THESE INSTRUCTIONS CAREFULLY!

1) Working area

- a) **Keep your working area clean and tidy. Untidy and poorly lit working areas may lead to accidents.**
- b) **Do not operate the tool in potentially explosive environments containing combustible fluids, gases or dusts. Power tools generate sparks that may ignite dusts or fumes.**
- c) **Keep children and other persons away when you are operating the power tool. Distractions may result in the operator losing control over the tool.**





2) Electrical safety

- a) **The mains plug of the power tool charger must fit into the mains socket. The plug must not be modified in any way. Do not use adapter plugs/connectors in combination with tools with protective earthing. Unmodified plugs and fitting sockets reduce the risk of electric shock.**
- b) **Avoid physical contact with earthed surfaces as pipes, heaters, ovens and refrigerators. There is an increased risk of electric shock if your body is earthed.**
- c) **Keep the tool out of the rain. The penetration of water into a power tool increases the risk of electric shock.**

3) Personal safety


- a) **Always pay attention to what you do and apply reasonable care when working with a power tool. Do not use the tool when you are tired or under the influence of medication, drugs or alcohol. When working with power tools even a short moment of inattentiveness may result in severe injury.**
- b) **Wear personal protection equipment and always wear eye protection (safety goggles). Wearing personal protection equipment as a dust mask, nonslip safety shoes, safety helmet or ear protectors (depending on the type and use of the tool) reduces the risk of injury.**
- c) **Remove adjustment tools or wrenches and the like before you switch the tool on. A wrench or another tool that is inside or on a turning part of the tool may cause injury.**
- d) **Do not overestimate your abilities. Take care of a safe footing and keep your balance at all times. This will allow you to better control the tool in unexpected situations.**
- e) **Wear suitable clothes. Do not wear wide clothing or jewellery. Keep your hair, clothes and gloves clear of all moving parts. Loose clothing, jewellery or long hair may get caught in moving parts.**

GB | Operating Instruction

- f) If dust extraction/collection devices are provided make sure that they are connected and used properly. *The use of these devices reduces hazards caused by dust.*
- 4) Careful handling and use of power tools
- a) Do not overtax the power tool. Use the power tool intended for your type of work in each case. *The use of the suitable power tool within the stated range of performance makes working more effective and safer.*
- b) Do not use a power tool with a damaged switch. *A power tool that cannot be switched on or off any more is dangerous and must be repaired.*
- c) Remove the battery from the power tool before you adjust a tool, change accessories or put the tool aside. *This precaution avoids the unintentional start of the tool.*
- d) Store power tools out of the reach of children. Do not allow persons to use the tool if they are not familiar with the tool or these instructions. *Power tools are dangerous if used by inexperienced persons.*
- e) Thoroughly maintain your power tool. Check whether moving parts are working properly and are not jamming/sticking, and whether parts are broken or otherwise damaged in a way that affects the function of the tool. *Have damaged parts repaired before using the tool. Many accidents are the result of poorly maintained power tools.*
- f) Keep cutting tools sharp and clean. *Thoroughly looked-after cutting tools with sharp cutting edges are jamming less often and are easier to guide.*
- g) Use power tools, accessories, add-on tools, etc. in accordance with these instructions and in the way prescribed for the respective type of tool. You should also consider the working conditions and the work to be carried out. *The use of power tools for purposes other than those intended for the respective tool may result in dangerous situations.*
- 5) Appropriate handling and use of battery-operated power tools
- a) Only use charging devices recommended by the manufacturer to charge the batteries. *Charging units are usually designed for certain types of batteries; if used with other types there is a risk of fire!*
- b) Only use batteries designed for your power tool. *The use of other batteries may lead to injury and risk of fire!*
- c) Keep unused batteries clear of paper clips, coins, keys, nails, screws or other small metal objects that may bridge the contacts. *A short circuit between the battery contacts may lead to burns or fire!*
- d) Improper use may result in fluid leaking out of the battery. Avoid any contact with battery fluid. Flush with water in case of contact. *If battery fluid should get into your eyes seek medical advice additionally. Leaking battery fluid may lead to irritations of the skin or burns!*
- 6) Service
- a) Have the power tool serviced by qualified technical personnel only; repairs should be carried out using exclusively original spare parts. *This will ensure the safe operation of the power tool.*
- 7) Safety instructions for hedge trimmers:
1. Keep all parts of your body away from the cutting blades. Do not try to remove cut-off matter with the tool running. Do not try to hold material to be cut off with your hand. Remove cut-off matter that is stuck between the blades only with the battery removed from the tool! *When working with hedge trimmers even a short moment of inattentiveness may result in severe injury.*
 2. Carry the hedge trimmer at the handle with the cutting blades standing still. Always put on the protection cover when transporting or storing the hedge trimmer. *Careful handling reduces the risk of injury through the cutting blades.*
 3. Please consider environmental influences. Ensure that there is good lighting.
 4. The use of hedge trimmers involves  certain risks. Attention: Danger! Rotating machinery.
 5. The hedge trimmer should always be held with both hands.
 6. Before using the equipment clear the working area of any foreign objects and be aware of foreign objects during operation of the machine!
 7. Do not use the trimmer in wet weather  and do not use it to cut wet hedges. Do not wash down the device with water. Do not use any high-pressure cleaning devices or steam jet devices for cleaning.
 8. In line with agricultural Trade Association Regulations only persons over the age of 17 may  work on their own with electric hedge trimmers. Use is permitted for persons over 16 years if the work is carried out under the supervision of adults.
 9. Ensure that the motor of your hedge  shears can not be switched on by mistake when you put it down after work or when you are going to clean the device.
 10. Be aware of your responsibility as user towards third parties in the working area.
 11. The trimmer must be properly checked and serviced. If the blades get damaged they should only be exchanged in pairs. In the event of damage from impact, specialist's inspection is essential.
 12. Ensure that the equipment is stored safely after use in such a way that the blade cannot be touched.
 13. For initial use of the hedge trimmer we would recommend that in addition to reading the operating instructions, you also seek a practical demonstration from an expert.
 14. Always ensure that all protective devices and handles are properly fitted. Never attempt to use an incomplete

GB | Operating Instruction

machine.

15. **Never try to use an incomplete tool or a tool that has been modified in a way that has not been approved.**
 16. **Familiarize yourself with the working area and pay attention to possible dangers which you might not be able to hear due to the noise of the machine.**
 17. **ATTENTION! Only use the accessories or attachments shown in the Operating Instructions.**
-  **The use of other add-on tools and accessories may set up the risk of injury for you.**

7. Instructions for use of the equipment

Do not use the trimmer in rain or for cutting wet hedges!

Gloves:

Protective gloves must be worn when using the hedge trimmer.

Instructions for using the battery

1. The rechargeable battery is not charged when delivered. The battery must be fully recharged before the first use of the hedge trimmer (refer to 8 – Charging the Battery).
2. You must never open the battery.
3. **Never throw the used batteries in fire - RISK OF EXPLOSION!**
4. Connect the battery charger only to mains with such a voltage as stated on the type-bearing plate.
5. Use only the original battery.
6. Never charge the battery with a battery charger from another producer. This can result in the battery being damaged or it can result in an injury due to over-heating.
7. During a long-term operation, the battery may heat up. Let it cool down before charging it.
8. Do not store the battery charger and the batteries within children's reach.
9. Do not use the battery charger in an environment with vapors or inflammable fluids.
10. Charge the batteries only at a temperature within the range of 10°C to 40°C.
11. Store the battery at temperatures up to 40°C only. Higher storage temperatures may result in damage to the battery.
12. Never short-circuit the contacts of the batteries and never interconnect them with metal objects.
13. When transporting the battery, take care that the contacts are not interconnected, do not use metal transportation containers.
14. Short-circuit of the battery can lead to explosion. In any case, the short-circuit connection will damage the battery.
15. Check the cable regularly on whether it is damaged. If the cable is damaged, have it replaced.
16. The battery is equipped with a deep-discharge protection feature: the tool is automatically switched off if the battery is discharged. Recharge the battery immediately if this should be the case.
17. Before storing the batteries for the wintertime, charge them fully once more.

Disposal of accumulators

Please observe the following directions for the disposal of your accumulator/battery.

Batteries are not to be put into the rubbish. As a consumer you are legally obliged to return used batteries and accumulators. At the end of the duration of your apparatus, the batteries or accumulators have to be taken from the apparatus, disposing of them separately.

You have the possibility of delivering your old batteries and accumulators to the local collecting points of your municipality or to your dealer or to the distribution centers.

8. Charging the batteries (fig. 1 + 2)

To take out the battery, press both push-buttons on the sides designated with the number 1 and take out the battery (fig. 1)

- Connect the battery charger to the socket. Make sure that the voltage stated on the battery charger corresponds with the mains voltage in your socket.
- Connect the charging set to the charging station using the jack plug of the charging set with the socket on the top of the charging station.
- The green control light indicates the start of the battery charging cycle. Once the battery is fully charged, the green light expires and the charging cycle will stop automatically.
- The period of charging amounts approximately to 3-5 hours. During the process of charging, the battery heats up. This is normal and it indicates no defect.
- The user is not required to monitor the charging time.
- Pull the plug of the charging unit if it is not in use.
- If the battery is not lit up, check if there is electric current in the socket. If the charging of the batteries is not possible, give the battery charger and the batteries to a service shop.

Note: The battery is equipped with a deep-discharge protection feature: the tool is automatically switched off if the battery is discharged. Recharge the battery immediately if this should be the case.

9. Switching the hedge shears on/off (fig. 3)

When switching the hedge shears on take a safe stand. These hedge shears have a two-hand safety switch. To switch the hedge trimmer on the bar switch in the handle (A) must be pushed and the rotary switch of the handle (B) must be rotated by 45° backward. To switch the device off let go of both switches. The motor already stops if one of the two switches is released.

The model **8550 hedge trimmer** has an additional „Eco-switch“ feature. This can vary the output in 2 steps. High = higher performance, low = reduced performance. In the „low“ position it will increase the battery time to about twice the duration, while the speed of the hedge trimmer is lowered. You can use this setting for lighter work to increase the battery life. On the back of the rear grab handle is the appropriate switch (fig. 10 and 11).

GB | Operating Instruction

10. Adjusting the turning handle (fig. 3-5)

To facilitate your work the hedgetrimmer are equipped with a turning rear handle that can be set in 3 different positions (right, left, and normal). The purpose of this mechanism is that especially for cutting in vertical direction the hedge shears can be held in their ergonomically most favourable position whereby an early fatigue of the user is avoided.

Please proceed as follows to change the position of the handle:

Release switch (A). Pull back the locking pin (C) (Fig. 3). The handle is now unlocked and can be turned to the desired position (Fig. 4). In the desired end position, the pin locks back into place and securing the handle and avoiding an accidental change of the position.

For a more comfortable way of working the turning handle can be set continuously, too. Press either the red lock button (C) and keep it pushed. The hedge trimmer can now comfortably be turned to all directions while working.

To increase safety when operating the turn handle, the trimmer drive shuts off in less than 0.1 seconds if either the switch on the hand grip (A) or the red switch rail on the turn handle (B) is released. This ensures that the hedge trimmer can only be operated if both hands are on the hand grips and at the same time both switches are actuated. This effectively eliminates the risk of injury, combined with the extremely short run-on time.

11. Holding the hedge trimmer when in use (fig. 4, 5 and 8)

This equipment will enable you to cut or trim bushes and hedges easily and comfortably.

Trimming of hedges

- Young shoots are best cut in a scythe movement.
- Older and stronger hedges are best cut in a sawing movement.
- Branches, which are too thick for the hedge trimmer, should be cut with a saw.
- Sides of hedges should be cut upwards in a taper.

In order to achieve an even height

- Fix a guide line at the required height.
- Cut evenly over this guide line.

Take care to have a secure and safe standing position when working with your hedge shears in order to avoid slipping and injury. Always keep the shearing blades away from your body.

12. Maintenance

Always disconnect the battery from the tool before commencing any work on the machine.

Important: Always clean and oil the blades after prolonged

use of the hedge trimmer. This will greatly affect the life of the equipment. Damaged cutting units must be properly repaired immediately. Clean the shearing blades with a dry cloth or – in case of heavier dirt – with a brush. **Attention: Danger of injury!** Oiling of the blades should ideally be carried out using an environmentally friendly lubricant (Fig. 6).

Sharpening of the blades

The blades generally do not need servicing and do not require resharpener if used correctly. In order to prevent injuries caused by the blades when not in use, the sharpened cutting blade should be covered by the blade cover (Fig. 8). The blades cannot be sharpened by the user without opening the equipment and the safety mechanism. Resharpener of the blades can therefore only be carried out at a specialist workshop.

Changing the blades

Only correct installation of the blades will guarantee problem-free operation and function of the above mentioned safety feature of the blades. Changing of the blades should therefore only be carried out at a specialist workshop.

13. Optimum safety

The 5 special features two-hand safety switch, quick blade stop, protective cover, blade safety rail and impact protector are fitted to provide the hedge trimmer with optimum safety features.



Attention!

If you find out that safety functions, such as the 2-switch mechanism or the safety stop, are not functioning while working with the hedge shears, immediately cease working and take the machine to a specialised shop for repairing.

Two-hand safety switch (Fig. 3)

To switch the hedge trimmer on the bar switch in the handle (A) must be pushed and the rotary switch of the handle (B) must be rotated by 45° backward. To switch the device off let go of both switches. The motor already stops if one of the two switches is released.

Quick blade stop

In order to avoid injuries through cuts, the blade will stop in max. 0.1 sec. when one of the two switches is released.

Blade safety rail (Fig. 7)

The cutting blade set back from the blade housing reduces the risk of injuries due to unintentional body contact. As soon as the hedge trimmer is switched off, the sharp cutting blades will stop - due to safety reasons - exactly under the cover rail in order to reduce the risk of injuries during transport.

Impact protector (Fig. 12)

The extended guide rail prevents unpleasant shocks (blade recoil) being transmitted to the operator due to impact with solid objects (wall, ground etc.).

GB | Operating Instruction

Gear protection feature

If solid objects are caught in the cutting blade and jam the motor, switch off the machine at once, disconnect the battery from the power tool, remove the object and continue with the work.

The equipment is also fitted with an overload cutout, which protects the gears against mechanical damage in the event of blade jams.

14. Storing the trimmer after use

The hedge shears must be stored such that there is no danger of injuries being caused to persons by the cutting blades!

Important note: The shearing blades should be cleaned after each use.(see also Section Maintenance).This will considerably increase the service life of the device. Please use a lubricator that is not harmful to the environment, e. g. our service spray. Then put the shears in their case with the cutting blades first.

15. Repair service

Repairs to electric power tools should only be carried out by specialist electrical personnel.

UK Mantis UK Limited
Orchard House
Hempshaw Lane
Stockport
Cheshire SK1 4LH
Phone - 4401614741525

Europe Mantis France SARL
20 rue des Garennnes
Marly
France
51755
Phone - 330387628888

16. Waste disposal and environmental protection

If your device should become useless somewhere in the future or you do not need it any longer, do not dispose of the device together with your domestic refuse, but dispose of it in an environmentally friendly manner.

Please dispose of the device itself at an according collecting/recycling point. By doing so, plastic and metal parts can be separated and recycled. Information concerning the disposal of materials and devices are available from your local administration.

MANTIS LIMITED WARRANTY – BATTERY POWERED PRODUCTS

MANTIS extends this limited warranty against defects in material and workmanship for a period of two (2) years under normal usage from the date of purchase by the original purchaser.

MANTIS will repair or replace, at its option, any part or parts of the product found to be defective in material or workmanship during the warranty period. Warranty repairs and replacements will be made without charge for parts or labor. All parts replaced under warranty will be considered as part of the original product, and any warranty on the replaced parts will expire coincident with the original product warranty. If you think your MANTIS Battery Powered product is defective in material or workmanship, you must return it to MANTIS, along with your proof of purchase (sales receipt). You are responsible for pickup and delivery charges; the product must be returned to us postage paid.

MANTIS assumes no responsibility in the event that the product was not assembled or used in compliance with any assembly, care, safety, or operating instructions contained in the Owner's Manual or accompanying the product. This limited warranty does not cover damages or defects due to normal wear and tear, lack of reasonable and proper maintenance, failure to follow operating instructions or owner's manual, misuse, lack of proper storage or accidents [or routine maintenance parts and service]. This limited warranty shall not be effective if your MANTIS Battery Powered product has been subjected to negligence or has been repaired or altered by anyone other than an authorized dealer or authorized service center.

You must maintain your MANTIS Battery Powered product by following the maintenance procedures described in the owner's manual. Such routine maintenance, whether performed by you or a dealer, is at your expense.

MANTIS MAKES NO EXPRESS OR IMPLIED WARRANTIES REPRESENTATIONS OR PROMISES EXCEPT THOSE CONTAINED HEREIN. THERE ARE NO OTHER WARRANTIES, INCLUDING WARRANTIES OF MERCHANTABILITY AND FITNESS FOR A PARTICULAR PURPOSE. ALL WARRANTIES OTHER THAN THE EXPRESS WARRANTY SET FORTH ABOVE ARE SPECIFICALLY DISCLAIMED. THE DURATION OF ANY IMPLIED WARRANTY, INCLUDING MERCHANTABILITY AND FITNESS FOR A PARTICULAR PURPOSE, IS LIMITED TO THE DURATION OF THIS WRITTEN LIMITED WARRANTY. MANTIS DISCLAIMS ALL LIABILITY FOR INDIRECT, INCIDENTAL AND/OR CONSEQUENTIAL DAMAGES IN CONNECTION WITH THE USE OF THE MANTIS PRODUCTS COVERED BY THIS WARRANTY. SOME REGIONS DO NOT ALLOW LIMITATIONS ON HOW LONG AN IMPLIED WARRANTY LASTS AND/OR DO NOT ALLOW THE EXCLUSION OR LIMITATION OF INCIDENTAL OR CONSEQUENTIAL DAMAGES, SO THAT ABOVE LIMITATIONS AND EXCLUSIONS MAY NOT APPLY TO YOU. THIS WARRANTY GIVES YOU SPECIFIC LEGAL RIGHTS AND YOU MAY ALSO HAVE OTHER RIGHTS WHICH VARY FROM REGION TO REGION.

SOMMAIRE	Page
1. Avant-propos du manuel	FR-2
2. Caractéristiques Techniques	FR-2
3. Représentation et explication des pictogrammes	FR-2
4. Conseil général de sécurité	FR-3
5. Application	FR-3
6. Consignes générales de sécurité	FR-3
1) Lieu de travail	
2) Sécurité électrique	
3) Sécurité des personnes	
4) Manipulation et utilisation appropriées des outils électriques	
5) Utilisation et manipulation de l'outil à batterie	
6) Service	
7) Consignes de sécurité pour taille-haies	
7. Raccord de l'appareil	FR-5
8. Instruction d'emploi	FR-5
9. Activation et désactivation de la cisaille	FR-6
10. Réglage de la poignée pivotante	FR-6
11. Maintenance	FR-6
1) Affûtage des lames	
2) Changement de lames	
12. Maintien de la cisaille	FR-6
1) Coupe de la haie	
2) Afin d'obtenir une hauteur égale	
13. La sécurité optimale	FR-7
1) Réglage de sûreté	
2) Arrêt rapide des lames	
3) Couteaux de sécurité	
4) Butée de protection	
5) Élément de protection de l'engrenage	
14. Entreposage du taille-haies après utilisation	FR-7
15. Service de réparation	FR-7
16. Recyclage et protection de l'environnement	FR-7
17. Conditions de garantie	FR-7
Déclaration de Conformité	

Taille-haies accu

1. Cher client,

Le présent mode d'emploi a été préparé afin d'assurer le fonctionnement optimal de votre appareil. Si vous observez scrupuleusement les instructions cidessous, votre appareil vous donnera entière satisfaction pendant longtemps.

Nos appareils doivent répondre aux plus hautes exigences vont leur production en série et sont soumis aux contrôles de qualités très sévères, même pendant la fabrication. Ceci nous donne la sécurité et vous offre la garantie de disposer toujours d'un produit de haute fiabilité.

En vue de l'amélioration du produit nous réservons le droit d'apporter des modifications de conception et d'exécution.

2.Caractéristiques Techniques

Modèle	8550-01-38 UK	
	8550-01-40 Europe	Eco-Switch
Tension nominale	24 V DC	
Longueur de coupe	506 mm	
Ecartement	20 mm	
Longueur de la lame	550 mm	
Coupe / min ⁻¹	Low = 2.200	High = 3.000
Type de batterie	Li-ion 24 V /1,4 Ah avec Eco-Switch	
Durée d'utilisation max.	Low = env. 60 min.	High = env. 30 min
Poids net	3,05 kg	
Niveau de pression acoustique dB(A) *	82 dB(A) K=3,0 dB(A)	
Vibration au manche*	<2,5 m/s ²	K 1,5 m/s ²
Chargeur de réseau		
Tension de réseau	230 V ~ / 50 Hz	
Durée de chargement	env. 3,5 heures	
Tension de charge	25,2 V DC	
Courant de charge	500 mA	

* EN 60745-2-15

3. Représentation et explication des pictogrammes



1



2



3



4



5



6

1 Porter des protections des yeux et des oreilles!

2 Attention!

3 Lisez l'instruction de service!

4 Ne pas laisser cet outil électrique sous la pluie!

5 Prudence! Risque de blessures, lame tranchante!

6 Attention! Protection de l'environnement! Le présent appareil ne peut en aucun cas être éliminé avec les ordures ménagères/déchets. Toujours déposer les appareils usagés dans un centre de collection.

FR | Mode d'emploi

4. Conseil général de sécurité

Les indications relatives aux émissions sonores de bruit sont conformes à la loi sur la sécurité des produits (ProdSG), voire à la Directive Machines de l'Union Européenne: le niveau de pression acoustique au lieu de travail peut dépasser 80 dB (A). Dans ce cas il convient de prévoir des mesures de protection acoustique pour l'opérateur (par ex. port de protège-oreilles).

Attention: protection contre le bruit! Avant la mise en marche, informez-vous des prescriptions locales.

Antiparasitage selon EN 55014, EN 61000-3-2, EN 61000-3-3.

Sous réserve de modifications techniques.

Les appareils sont construits selon les prescriptions conformément à EN 60745-1 et EN 60745-2-15 et sont entièrement conformes aux prescriptions de la loi sur la sécurité de la production.



Conseils généraux de sécurité

Chaque emploi d'un taille-haie comporte un risque d'accident. C'est pourquoi nous vous demandons d'observer les prescriptions de protection contre les accidents.

La machine est conçue suivant le niveau de la technique et des normes de sécurité en vigueur. Malgré tout, leur emploi peut engendrer des dangers de corps et de vie pour les utilisateurs et les tiers, de porter préjudice à la machine et à d'autres objets.

Attention: En utilisant des outils électriques il faut observer les règles fondamentales de sécurité suivants pour vous protéger contre commotion électrique, danger de blessures et danger de feu. Veuillez lire et observer tous ces instructions avant d'utiliser cet outil électrique. Conservez les règles de sécurité à une place sûre.

Employer uniquement la machine dans un état technique impeccable et conformément aux règles, en toute conscience de la sécurité et des dangers et en respectant l'instruction de service ! Il est important notamment d'éliminer (ou de faire éliminer) immédiatement les pannes qui nuisent à la sécurité !

Cette machine peut provoquer des blessures graves. Lisez soigneusement les instructions concernant le maniement correct, à la maintenance et à l'utilisation adéquate du taille-haie. Avant la première utilisation familiarisez-vous avec la machine.

5. Application

La machine est uniquement destinée à tailler les haies. Tout autre emploi est considéré comme non conforme. Le fabricant / fournisseur ne portera aucune responsabilité pour les préjudices qui en résultent. L'utilisateur portera seul tous les risques et périls. Font également partie de l'emploi conforme, le respect de l'instruction de service et des conditions d'inspection et de maintenance.

Conserver l'instruction de service en permanence sur le lieu d'emploi de la machine!

6. Consignes générales de sécurité

Attention! Veuillez lire la totalité des consignes. Tout manquement à l'observation des consignes énumérées ci-dessous peut provoquer une électrocution, un incendie et/ou des blessures graves. Le terme «outil électrique» employé ci-après se rapporte à des outils électriques fonctionnant sur secteur (équipés d'un câble secteur) et à des outils électriques fonctionnant sur accumulateur (non équipés d'un câble secteur).

CONSERVEZ SOIGNEUSEMENT CES CONSIGNES.

1) Lieu de travail

- Maintenez votre espace de travail propre et rangé. Des espaces de travail désordonnés et mal éclairés peuvent conduire à des accidents.**
- N'utilisez pas l'appareil dans un environnement présentant des risques d'explosion dans lequel se trouvent des liquides, des gaz ou des poussières.** *Les outils électriques produisent des étincelles pouvant enflammer les poussières et vapeurs.*
- Tenez les enfants et toute autre personne à l'écart pendant l'utilisation de l'outil électrique.** *En cas de distraction, vous pourriez perdre le contrôle de l'appareil.*

2) Sécurité électrique

- La fiche de raccordement de l'appareil doit s'insérer dans la prise de courant. La fiche ne doit d'aucune façon être modifiée. N'utilisez pas d'adaptateur avec les appareils dotés d'une protection par mise à la terre.** *Les fiches non modifiées et les prises de courant adaptées réduisent le risque d'électrocution.*
- Évitez tout contact physique avec les surfaces reliées à la terre comme tuyauteries, chauffages, cuisinières et réfrigérateurs.** *Si votre corps est relié à la terre, le risque d'électrocution est plus important.*
- Tenez l'appareil éloigné de la pluie.** *La pénétration d'eau dans un appareil électrique augmente le risque d'électrocution.*

3) Sécurité des personnes

- Soyez concentré, prêtez attention à ce que vous faites et soyez prudent en utilisant votre outil électrique. N'employez pas l'appareil lorsque vous êtes fatigué ou sous l'influence de drogues, d'alcool ou de médicaments.** *Un moment d'inattention pendant l'utilisation de l'appareil peut causer de sérieuses blessures.*
- Portez toujours votre équipement de protection individuelle et vos lunettes.** *Le port d'un équipement de protection individuelle comme un masque anti-poussière, des chaussures de sécurité antidérapantes, un casque ou un protège-ouïe, selon le type d'outil élec-*

trique que vous utilisez, réduit le risque de blessure.

- c) **Éloignez les outils de réglage ou les clés à vis avant de mettre l'appareil en marche.** *Tout outil ou clé se trouvant dans une partie pivotante de l'appareil peut causer des blessures.*
- d) **Ne vous surestimez pas. Veillez à adopter une position sûre et à toujours garder votre équilibre.** *Vous pourriez ainsi mieux contrôler l'appareil en cas de situations inattendues.*
- e) **Adoptez une tenue appropriée. Ne portez pas de vêtements amples ni de bijoux. Tenez vos cheveux, vos vêtements et vos gants éloignés des parties mobiles.** *Des vêtements amples, des bijoux ou de longs cheveux peuvent se prendre dans les parties mobiles.*
- f) **Si un système d'aspiration ou de collecte peut être monté sur l'appareil, assurez-vous qu'il est bien fixé et correctement utilisé.** *L'utilisation de ces accessoires réduit les risques liés à la poussière.*

4) Manipulation et utilisation appropriées des outils électriques

- a) **Ne surchargez pas l'appareil. Utilisez l'outil électrique adapté à votre tâche.** *Vous travaillerez mieux et serez plus en sécurité dans votre environnement de travail si vous utilisez l'outil électrique adéquat.*
- b) **N'utilisez pas d'outil électrique dont le commutateur est défectueux.** *Un outil électrique ne pouvant plus s'allumer ni s'éteindre est dangereux et doit être réparé.*
- c) **Retirez l'Akku de l'appareil avant de procéder aux réglages de l'appareil, de changer les accessoires ou de déposer l'appareil.** *Cette mesure de précaution empêche la mise en marche involontaire de l'appareil.*
- d) **Tenez les outils électriques non utilisés hors de la portée des enfants.** *Empêcher toute personne qui ne se sentirait pas à l'aise ou qui n'aurait pas lu ces instructions d'utiliser l'appareil. Les outils électriques sont dangereux lorsqu'ils sont utilisés par des personnes non expérimentées.*
- e) **Entretenez l'appareil avec soin. Assurez-vous que les parties mobiles de l'appareil fonctionnent parfaitement et ne coïncent pas, que des parties ne sont pas cassées ou endommagées afin de ne pas entraver le fonctionnement de l'appareil. Faites réparer les pièces endommagées avant d'utiliser l'appareil.** *De nombreux accidents sont provoqués par une mauvaise maintenance des outils électriques.*
- f) **Maintenez les outils coupants aiguisés et propres.** *Les outils tranchants entretenus avec soin et à l'arête coupante se coïncent moins et sont plus faciles à manier.*
- g) **Utilisez les outils électriques, les accessoires, les outils de rechange etc. conformément aux présentes instructions et de façon conforme à ce qui est prescrit pour ce type d'appareil. Tenez compte des conditions de travail et de l'activité à accomplir.** *L'utilisation d'outils électriques pour d'autres appli-*

cations que celles prévues peuvent occasionner des situations dangereuses.

5) Utilisation et manipulation de l'outil à batterie

- a) **Chargez les batteries uniquement sur les appareils de charge recommandés par le fabricant.** *Il existe un risque d'incendie si un appareil de charge destiné à un certain type de batteries est utilisé pour d'autres batteries.*
- b) **Utilisez dans les outils électriques uniquement les batteries prévues.** *L'utilisation d'autres batteries peut entraîner des blessures et un risque d'incendie.*
- c) **Tenez la batterie éloignée des trombones, pièces de monnaie, clés, clous, vis et autres petits objets métalliques lorsqu'elle n'est pas utilisée, car ceux-ci peuvent provoquer un pontage des contacts.** *Un court-circuit entre les contacts de la batterie peut provoquer des brûlures ou un incendie.*
- d) **En cas de mauvaise utilisation, du liquide peut sortir de la batterie. Évitez tout contact avec celui-ci.** *En cas de contact involontaire, nettoyez à grande eau. Si le liquide entre en contact avec vos yeux, sollicitez également une aide médicale. Le liquide s'échappant de la batterie peut entraîner des irritations cutanées ou des brûlures.*

6) Service

- a) **Ne faites réparer l'appareil que par du personnel spécialisé installant uniquement des pièces de rechange originales.** *La sécurité de l'appareil sera ainsi garantie.*

7) Consignes de sécurité pour taille-haies:

- **Maintenez toutes les parties de votre corps éloignées de la lame. N'essayez pas d'éloigner les branches coupées pendant la marche de la lame ni de vous tenir à une partie que vous vous apprêtez à tailler.** *Otez les éléments coupés restés coincés dans l'appareil seulement lorsque celui-ci est éteint (retirez l'Akku). Un moment d'inattention pendant l'utilisation du taille-haies peut causer de graves blessures.*
- **Tenez le taille-haie par les poignées isolées, car il peut arriver que la lame entre en contact avec le câble d'alimentation.** *Le contact de la lame avec un câble électrique peut mettre sous tension des éléments métalliques de l'appareil et provoquer une électrocution.*
- **Prenez le taille-haies en main lorsque la lame est à l'arrêt.** *Veillez toujours à mettre le revêtement de protection pendant le transport ou la maintenance du taille-haies. Une manipulation soigneuse de l'appareil réduit le risque de blessure lié à la lame.*
- **Tenez le câble éloigné de l'espace de coupe.** *Pendant le processus de travail, le câble peut être dissimulé par les buissons et être sectionné par inadvertance.*
- **Respectez les influences environnementales. Veillez à un bon éclairage.**
- **Le taille-haie doit uniquement être manié à deux mains.**
- **Contrôlez l'absence de défauts visibles du câble de l'appareil de charge et ses raccordements avant**

FR | Mode d'emploi

chaque utilisation (non branché). Ne pas utiliser un câble défectueux.

- Ne pas employer le taille-haie lorsqu'il pleut ou pour tailler des haies mouillées. Ne jamais arroser l'appareil avec de l'eau. Ne pas utiliser d'appareil à haute pression ou à jet de vapeur pour le nettoyage.
- Selon les dispositions de l'association professionnelle des agriculteurs, les travaux avec le taille-haie électrique peuvent uniquement être exécutés par des personnes seules de plus de 17 ans. Les personnes de plus de 16 ans sont admises à effectuer les travaux sous les directives d'un adulte.
- Lors du premier emploi du taille-haie nous conseillons lors de la lecture de l'instruction de service, de vous laisser initier à l'emploi pratique de l'appareil.
- Veillez toujours à ce que tous les dispositifs de sécurité et poignées soient mis en place.
- N'essayez jamais d'utiliser une machine incomplète ou ayant subi une transformation non autorisée.
- Familiarisez-vous avec vos environs et veillez à des dangers possibles lesquels vous ne pouvez éventuellement pas entendre à cause du bruit de la machine.
- Les machines mobiles qui sont employées en plein air doivent être branchées à l'aide d'un disjoncteur à courant de défaut.

7. Instruction d'emploi

Ne pas employer le taille-haie sous la pluie et ne pas couper de haie mouillée!

Avant chaque emploi, vérifier si le fil du taille-haie et ses raccords présentent des défauts (le connecteur étant retiré). Ne pas employer de fil défectueux.

Gants:

Pour travailler avec le taille-haie vous devez porter impérativement de gants de travail.

Mode d'emploi des accumulateurs

1. Au moment de livraison, l'accumulateur remplaçable n'est pas chargé. Il faut le charger avant la première mise en service.
2. Il est défendu d'ouvrir l'accumulateur.
3. Ne jetez jamais les accumulateurs au feu **DANGER D'EXPLOSION!**
4. Ne brancher le chargeur qu'à la tension de réseau indiquée sur la plaque indicatrice.
5. N'utilisez que des accumulateurs originaux.
6. Ne chargez jamais l'accumulateur en utilisant un chargeur d'un autre fabricant. Cela pourrait provoquer une détérioration de l'accumulateur ou un accident dû à la surchauffe.
7. L'accumulateur peut se réchauffer en travaillant en régime de long durée. Laissez-le refroidir avant la charge.
8. Gardez le chargeur et l'accumulateur, hors de portée des enfants.

9. Ne vous servez pas du chargeur dans un milieu où se présentent des vapeurs ou des liquides inflammables.
10. Ne chargez l'accumulateur qu'à la température de 10°C à 40°C.
11. Stocker la batterie dans un endroit ne dépassant pas 30°C. Des températures de stockage supérieures peuvent endommager la batterie. La température idéale pour le stockage se situe entre 10 et 15°C.
12. Ne mettez pas les contacts d'accumulateur en court-circuit et n'utilisez aucunes pièces en métal pour la connexion.
13. Pendant le transport des accumulateurs, veillez à ce que les contacts ne soient pas connectés, n'utilisez pas de bacs de transport en métal.
14. Le court-circuit de l'accumulateur peut provoquer une explosion. Chaque court-circuit détériore l'accumulateur.
15. Contrôlez régulièrement le câble, du point de vue de sa détérioration. Faites remplacer le câble détérioré.
16. La batterie possède une protection anti décharge profonde: L'appareil se désactive automatiquement lorsque la batterie est déchargée. Dans ce cas, rechargez la batterie sans délai.

Élimination des accus

Pour l'élimination des accus, veuillez observer les instructions suivantes:

Ne pas éliminer les piles avec les déchets ménagers. En tant que consommateur, vous êtes tenu de retourner les piles ou les accus selon les directives légales. Quand votre appareil sera hors d'usage, vous enlèverez les piles et les accus de l'appareil et vous les éliminerez séparément. Vous pouvez remettre les piles ou accus au point de ramassage local de votre commune ou chez votre fournisseur (point de vente) habituel.

8. Chargement des accumulateurs (fig. 1 - 2)

- Pour retirer l'accu du coupe bordures, appuyez sur la touche rouge placée sur le boîtier de l'accu et retirez ce dernier. (III. 1)
- Enfoncez la fiche du chargeur dans la prise de courant. Assurez-vous que la tension, indiquée sur la plaque indicatrice du chargeur, soit conforme à la tension de réseau de votre prise.
- Connectez l'appareil de recharge à l'accu. Pour ce faire, branchez la fiche de l'appareil de recharge dans la prise sur le côté frontal de l'accu.
- Le début de chargement de la batterie est indiqué par un témoin clignotant vert. Lorsque la batterie est complètement chargée, la diode verte reste allumée et le processus de charge s'arrête automatiquement.
- Le temps de chargement est égal approximativement à 3-5 heures. L'accumulateur se réchauffe pendant le chargement. C'est un phénomène normal et il ne s'agit pas d'un défaut.
- Il n'est pas nécessaire de surveiller le temps de recharge.

FR | Mode d'emploi

- En cas de non-usage, retirez l'appareil de recharge de la prise.
- Si l'accu n'est pas rechargé, vérifiez si la prise est sous tension. Si une recharge est impossible, rappez l'appareil de recharge ainsi que l'accu à un point de service après-vente ou dans un atelier spécialisé.

L'accu est équipé d'une protection contre la décharge totale: l'appareil s'éteint automatiquement en cas d'accu déchargé. Dans ce cas, rechargez immédiatement l'accu.

9. Activation et désactivation de la cisaille (fig. 3)

Pour activer la cisaille, prenez un appui sûr. Cette cisaille est dotée d'un circuit de sécurité à 2 mains. Pour activer la cisaille (A), la barre d'interrupteurs de la poignée doit être appuyée et la poignée rotative (B) doit être tournée vers l'arrière à env. 45°. Pour la désactiver, relâchez ces deux dispositifs. Le moteur s'arrête dès que vous relâchez l'un de ces deux dispositifs.

Le modèle est équipé de plus d'un «Eco-Switch». La puissance peut donc être réglée sur 2 niveaux. High = puissance max., Low = puissance réduite. Sur la position 'Low', le temps d'utilisation de la batterie double presque et la vitesse de la cisaille diminue. Vous pouvez utiliser ce réglage pour des travaux plus aisés, et augmenter ainsi la durée d'utilisation de la batterie. Le commutateur en question se situe sur l'arrière de la poignée de maintien (fig. 10 et 11).

10. Réglage de la poignée pivotante (fig. 3-5)

Pour faciliter le travail, la cisaille est dotée d'une poignée pivotante d'un nouveau type qui peut être réglée en 3 positions (position droite, gauche et normale), ou est également pivotante en continu afin de rendre le travail plus confortable. L'objectif de ce dispositif est que la cisaille puisse être placée dans la meilleure position possible au niveau ergonomique, en particulier pour réaliser des coupes à la verticale, ce qui évite une fatigue prématurée de l'utilisateur.

Pour régler la poignée dans l'une des 3 positions fixes, veuillez procéder comme suit:

Relâcher l'interrupteur (A). Appuyer sur le bouton de verrouillage rouge (C) (fig. 3). La poignée avant est ainsi déverrouillée et peut maintenant être pivotée dans la position voulue (fig. 4). Une fois placée dans l'une des positions finales souhaitées, le bouton se réenclenche et permet d'éviter que la poignée de tourne de manière imprévisible.

Pour plus de confort, il est possible de faire pivoter en continu la poignée pivotante. Pour ce faire, appuyez sur le bouton de verrouillage rouge (C), et maintenez-le enfoncé. Pour un confort maximal, la cisaille peut maintenant être pivotée dans tous les sens pendant le travail.

11. Maintien de la cisaille (fig. 4, 5 et 8)

Cet outil vous permet de tailler rapidement et confortablement

les buissons, haies et arbustes. Cet outil vous permet de découper rapidement et facilement des arbustes, haies et buissons. Pour obtenir une position de maintien aussi ergonomique que possible lors de l'utilisation de la cisaille, il convient de positionner lors de la taille en tête la poignée de maintien pivotante avant en position verticale (0°) et lors de la taille latérale, selon la direction, dans une position à 85° (fig.4).

Coupe de la haie

- Les jeunes pousses sont coupées aisément dans un mouvement de faux.
- Les haies plus vieilles, plus grosses sont coupées aisément dans un mouvement scie.
- Les branches trop épaisses pour les lames devraient être coupées à l'aide d'une scie.
- Les côtés de la haie devraient être amincis vers le haut.

Afin d'obtenir une hauteur égale

- Tendre une corde à la hauteur désirée.
- Couper droit au-dessus de cette ligne.

Veillez à adopter une position sûre afin d'éviter un glissement et un éventuel accident. Maintenez toujours les lames de coupe à distance du corps.

12. Maintenance

Sortez inconditionnellement les accumulateurs avant d'effectuer des travaux de maintenance et de traitement de la taille-haies.

Important: Après chaque emploi important du taille-haie, celui-ci devrait être nettoyé et huilé. Ceci influence de façon décisive la longévité de l'appareil. Les lames endommagées sont à réparer correctement sans attendre. Nettoyez la lame avec un chiffon sec ou, si elle est très encrassée, avec une brosse. **Attention: risque de blessure!** Les lames devraient être lubrifiées si possible à l'aide d'un lubrifiant non polluant (ill. 6).

Affûtage des lames

Les lames sont en grande partie sans entretien et n'ont pas besoin d'être affûtées en cas d'emploi conforme. Pour éviter les blessures provoquées par les lames, même si celles-ci ne sont pas en marche, la lame affûtée est recouverte par la came non affûtée (ill. 9). De ce fait, la lame ne peut être affûtée par l'utilisateur, sans ouvrir l'appareil et intervenir dans sa configuration de sécurité. Un affûtage des lames peut donc uniquement être effectué par un atelier spécialisé.

Changement de lames

Une mise en place correcte des lames garantit le fonctionnement impeccable et la position de sécurité des lames. C'est pourquoi le changement de lames peut uniquement être effectué par un atelier spécialisé.

13. La sécurité optimale

Grâce aux 5 composants, contacteur de sécurité à 2 mains, arrêt rapide des lames, bouclier de protection, couteaux de sécurité et butée de protection, le taille-haie est équipé d'éléments de sécurité optimaux.



Attention!

Pendant le travail avec le taille-haie, si vous constatez que les fonctions de sécurité telles que le commutateur à 2 mains ou l'arrêt d'urgence ne sont pas assurés, interrompez immédiatement votre travail et apportez l'appareil à un spécialiste autorisé pour le faire réparer!

Réglage de sûreté (ill. 3)

Pour brancher le taille-haie, appuyer sur la réglette de commutation dans la poignée à main (A) et sur la poignée de commutation dans la poignée-étrier (B). Pour éteindre la machine, relâchez les deux poignées. Le moteur s'éteint déjà lorsque l'une des deux poignées est lâchée.

Arrêt rapide des lames

Pour éviter les blessures le couteau s'arrête instantanément après le relâchement d'un des éléments de commutation en l'espace de max. 0,1 sec.

Couteaux de sécurité (ill. 7 et 9)

La lame recouverte par la came réduit les dangers de blessures provoquées par un contact involontaire. Dès que la machine est débranchée, le couteau coupant s'arrête instantanément - à cause de raisons de sécurité - exactement audessous de la came. Pour cela, les blessures pendant le transport sont presque exclues.

Butée de protection (ill. 9)

La tringle de guidage qui dépasse évite que l'utilisateur ne reçoive des coups désagréables (recul du couteau) provoqués lorsque l'outil touche à un objet fixe (mur, sol, etc.).

Élément de protection de l'engrenage

Si des objets solides sont coincés dans les lames et bloquent le moteur, il faut immédiatement débrancher la machine, retirer la fiche de la prise, retirer l'objet coincé avant de pouvoir continuer son travail.

Cet appareil porte un disjoncteur de surcharge intégré qui protège l'engrenage contre toute détérioration mécanique en cas de blocage des couteaux.

14. Entreposage du taille-haie après utilisation

Le taille-haie doit être entreposé de manière à ce que personne ne puisse se blesser au contact des lames!

Important: la lame doit être nettoyée après chaque utilisation (voir aussi point entretien). Ceci influencera positivement la durée de vie de l'appareil. Dans la mesure du possible, le graissage se fera à l'aide d'un lubrifiant écologique, un spray de service, par exemple.

Remplacez ensuite le taille haie dans son étui.

15. Service de réparation

Les réparations des outils électriques devront être uniquement effectuées par un électricien spécialisé. Veuillez décrire l'erreur constatée lorsque vous envoyez l'appareil en réparation.

UK Mantis UK Limited
Orchard House
Hempshaw Lane
Stockport
Cheshire SK1 4LH
Phone - 4401614741525

Europe Mantis France SARL
20 rue des Garennes
Marly
France
51755
Phone - 330387628888

16. Recyclage et protection de l'environnement

Au cas où votre appareil devenait un jour inutilisable ou si vous n'en aviez plus l'usage, ne jetez en aucun cas l'appareil avec les déchets ménagers, mais veillez à un recyclage conforme aux principes écologiques. Allez déposer l'appareil dans un centre de recyclage. Les éléments en matière synthétique et en métal seront séparés et réutilisés. Votre commune ou l'administration urbaine vous fourniront tous les renseignements à ce sujet.

GARANTIE LIMITEE MANTIS – PRODUITS ALIMENTES PAR BATTERIE

MANTIS accorde la présente garantie limitée contre les vices de matériau et de fabrication pendant une période de deux (2) ans dans des conditions normales d'utilisation à compter de la date d'achat par l'acheteur initial.

MANTIS réparera ou remplacera, à sa discrétion, toute pièce du produit présentant un vice de matériau ou de fabrication durant la période de garantie. Les réparations et remplacements sous garantie seront effectués sans frais de pièces ou de main-d'œuvre. Toutes les pièces remplacées sous garantie seront considérées comme faisant partie du produit d'origine et la date d'expiration de garantie des pièces remplacées sera celle de la garantie du produit d'origine. Si vous pensez que votre produit alimenté par batterie MANTIS présente un vice de matière ou de fabrication, renvoyez-le à MANTIS, accompagné de votre justificatif d'achat (reçu de vente). Les frais d'enlèvement et de livraison sont à votre charge ; le produit doit nous être renvoyé en port payé.

MANTIS décline toute responsabilité dans l'éventualité où le produit n'a pas été assemblé ou utilisé conformément aux instructions d'assemblage, d'entretien, de sécurité ou d'utilisation figurant dans le manuel de l'utilisateur ou accompagnant le produit. La présente garantie limitée ne couvre pas les dommages ni les défaillances liés à l'usure normale, à un défaut d'entretien raisonnable et approprié, au non-respect des instructions d'utilisation ou du mode d'emploi, à un emploi abusif, à un entreposage incorrect ou à des accidents [ni les pièces et les services d'entretien courant]. La présente garantie limitée est annulée si le produit à batterie MANTIS a fait l'objet de négligence ou a été réparé ou modifié par toute personne autre qu'un concessionnaire agréé ou un centre de service après-vente agréé

Vous devez entretenir votre produit alimenté par batterie MANTIS conformément aux instructions d'entretien figurant dans le manuel. Cet entretien courant, qu'il soit effectué par vous-même ou par un concessionnaire, sont à votre charge.

MANTIS N'OFFRE AUCUNE GARANTIE EXPLICITE OU IMPLICITE, DÉCLARATION NI ASSURANCE, À L'EXCEPTION DE CELLES CONTENUES AUX PRÉSENTES. IL N'EST OFFERT AUCUNE AUTRE GARANTIE, NOTAMMENT AUCUNE GARANTIE DE QUALITÉ MARCHANDE OU D'ADAPTATION À UN EMPLOI PARTICULIER. TOUTES LES GARANTIES AUTRES QUE LA GARANTIE EXPRESSE CI-DESSUS SONT SPÉCIFIQUEMENT REJETÉES. LA DURÉE DE TOUTE GARANTIE IMPLICITE, Y COMPRIS DE QUALITÉ MARCHANDE ET D'ADAPTATION À UN EMPLOI PARTICULIER, EST LIMITÉE À LA DURÉE DE LA PRÉSENTE GARANTIE LIMITÉE. MANTIS DÉCLINE TOUTE RESPONSABILITÉ POUR TOUS LES DOMMAGES INDIRECTS, ACCESSOIRES OU CONSÉCUTIFS EN RAPPORT AVEC L'EMPLOI DES PRODUITS MANTIS COUVERTS PAR LA PRÉSENTE GARANTIE. CERTAINS ÉTATS N'AUTORISANT PAS LA LIMITATION DE LA DURÉE D'UNE GARANTIE IMPLICITE ET/OU N'AUTORISANT PAS L'EXCLUSION OU LA LIMITATION DES DOMMAGES INDIRECTS OU ACCESSOIRES, IL SE PEUT QUE LES LIMITATIONS ET EXCLUSIONS QUI PRÉCÉDENT NE S'APPLIQUENT PAS À VOUS. LA PRÉSENTE GARANTIE VOUS DONNE DES DROITS PRÉCIS ET IL SE PEUT QUE VOUS AYEZ ÉGALEMENT D'AUTRES DROITS, SUSCEPTIBLES DE DIFFÉRER D'UNE RÉGION À UNE AUTRE.

DE | Gebrauchsanweisung

INHALTSVERZEICHNIS	Seite
1. Vorwort zur Bedienungsanleitung	DE-2
2. Technische Daten	DE-2
3. Abbildung und Erklärung der Piktogramme	DE-2
4. Allgemeiner Sicherheitshinweis	DE-3
5. Verwendungszweck	DE-3
6. Allgemeine Sicherheitshinweise für Elektrowerkzeuge	DE-3
1) Arbeitsplatzsicherheit	
2) Elektrische Sicherheit	
3) Sicherheit von Personen	
4) Verwendung und Behandlung des Elektrowerkzeuges	
5) Verwendung und Behandlung des Akkuwerkzeugs	
6) Service	
7) Sicherheitshinweise für Heckenscheren	
7. Anweisung zum Gebrauch / Hinweis zum Gebrauch des Akkus	DE-5
8. Laden des Akkus	DE-5
9. Ein-, Ausschalten der Heckenschere	DE-6
10. Einstellung des Drehgriffs	DE-6
11. Halten der Heckenschere zum Gebrauch	DE-6
1) Schneiden von Hecken	
2) Um eine gleichbleibende Höhe zu erreichen	
12. Wartung	DE-6
1) Schärfen der Messer	
2) Auswechseln der Messer	
13. Optimale Sicherheit	DE-7
1) 2-Hand-Sicherheitsschaltung	
2) Messer-Schnellstop	
3) Sicherheitsmesserbalken	
4) Anstoßschutz	
5) Getriebebeschutzelement	
14. Aufbewahren der Heckenschere nach dem Gebrauch	DE-7
15. Reparaturdienst	DE-7
16. Entsorgung / Umweltschutz	DE-7
17. Garantiebedingungen	DE-8
Konformitätserklärung	

Akku-Heckenschere

1. Verehrter Kunde,

um eine zuverlässige Inbetriebnahme zu gewährleisten, haben wir diese Gebrauchsanweisung geschaffen. Wenn Sie die folgenden Hinweise beachten, wird ihr Gerät stets zu Ihrer Zufriedenheit arbeiten und eine lange Lebensdauer besitzen.

Unsere Geräte werden vor der Serienherstellung unter härtesten Bedingungen erprobt und während der Fertigung ständigen Kontrollen unterzogen. Dies gibt uns die Sicherheit und Ihnen die Gewähr, stets ein ausgereiftes Produkt zu erhalten.

Im Interesse der technischen Weiterentwicklung sind Konstruktions- und Ausführungsänderungen vorbehalten.

2. Technische Daten

Modell	8550-01-38 UK	mit Eco-Switch
	8550-01-40 Europe	
Betriebsspannung	24 V DC	
Messerlänge	550 mm	
Schnittstärke	20 mm	
Schnittlänge	506 mm	
Schnitte	Low = 2200 min ⁻¹	High = 3000 min ⁻¹
Akkutyp	Li-Ion 24 V / 1,4 Ah	
max. Betriebsdauer	Low = ca.60 min.	High = ca. 30 min.
Gewicht	3,05 kg	
Schalldruckpegel L _{pA} *	82 dB(A)	K 3,0 dB
Vibrationen am Handgriff *	< 2,5 m/s ²	K 1,5 m/s ²
Ladegerät		
Netzspannung	230 V~ / 50 Hz	
Ladespannung	25,2 V DC	
Ladestrom	500 mA	
Ladedauer	ca. 3,5 Std.	

* nach EN 60745-2-15

Technische Änderungen bleiben vorbehalten.

3. Erklärung der Warnhinweise auf dem Gerät



1



2



3



4



5



6

- 1 Augen- und Gehörschutz tragen!
- 2 Warnung!
- 3 Bedienungsanleitung lesen!
- 4 Dieses Elektrowerkzeug nicht dem Regen aussetzen
- 5 Vorsicht! Verletzungsgefahr, scharfes Schneidmesser!
- 6 Achtung Umweltschutz ! Dieses Gerät darf nicht mit dem Hausmüll/Restmüll entsorgt werden. Das Altgerät nur in einer öffentlichen Sammelstelle abgeben.

DE | Gebrauchsanweisung

4. Allgemeiner Sicherheitshinweis

Angaben zur Geräuschemission gemäß Produktsicherheitsgesetz (ProdSG) bzw. EG-Maschinenrichtlinie: Der Schalldruckpegel am Arbeitsplatz kann 80 dB (A) überschreiten. In dem Fall sind Schallschutzmaßnahmen für den Bediener erforderlich (z.B. Tragen eines Gehörschutzes).



Bitte beachten Sie: Dieses Gerät darf in Wohngebieten nach der deutschen Maschinenlärmschutzverordnung vom September 2002 an Sonn- und Feiertagen sowie an Werktagen von 20:00 Uhr bis 7:00 Uhr nicht in Betrieb genommen werden.

Beachten Sie zusätzlich auch die landesrechtlichen Vorschriften zum Lärmschutz.

Funkentstört nach EN 55014, EN 61000-3-2, 61000-3-3.

Technische Änderungen bleiben vorbehalten.

Die Geräte sind nach den Vorschriften gemäß EN 60745-1 und EN 60745-2-15, gebaut und entsprechen voll den Vorschriften des Produktsicherheitsgesetzes.



Jeder Betrieb von Heckenscheren ist mit Unfallgefahren verbunden. Beachten Sie deshalb die entsprechenden Unfallschutzvorschriften.

Die Maschine ist nach dem Stand der Technik und den anerkannten sicherheitstechnischen Regeln gebaut. Dennoch können bei ihrer Verwendung Gefahren für Leib und Leben des Benutzers oder Dritter bzw. Beeinträchtigungen der Maschine und anderer Sachwerte entstehen.

Achtung: Beim Gebrauch von Elektrowerkzeugen sind zum Schutz gegen elektrischen Schlag, Verletzungen und Brandgefahr folgende grundsätzlichen Sicherheitsmaßnahmen zu beachten. Lesen und beachten Sie alle diese Hinweise, bevor Sie dieses Elektrowerkzeug benutzen. Bewahren Sie die Sicherheitshinweise gut auf.

Maschine nur in technisch einwandfreiem Zustand sowie bestimmungsgemäß, sicherheits- und gefahrenbewußt unter Beachtung der Gebrauchsanweisung benutzen! Insbesondere Störungen, die die Sicherheit beeinträchtigen können, umgehend beseitigen (lassen)!

Diese Maschine kann ernsthafte Verletzungen verursachen. Lesen Sie sorgfältig die Gebrauchsanweisung zum korrekten Umgang, zur Vorbereitung, zur Instandhaltung, zum sachgemäßen Gebrauch der Heckenscheren. Machen Sie sich vor dem ersten Gebrauch mit der Maschine vertraut und lassen Sie sich auch praktisch einweisen.

5. Verwendungszweck

Die Maschine ist ausschließlich zum Schneiden von Hecken bestimmt. Eine andere oder darüber hinausgehende Benutzung gilt als nicht bestimmungsgemäß. Für hieraus resultierende Schäden haftet der Hersteller / Lieferer nicht. Das Risiko trägt allein der Anwender. Zur bestimmungsgemäßen Verwendung gehört auch das

Beachten der Gebrauchsanweisung und die Einhaltung der Inspektions- und Wartungsbedingungen. Die Gebrauchsanweisung ständig am Einsatzort der Maschine griffbereit aufbewahren!

6. Sicherheitshinweise

Achtung! Sämtliche Anweisungen sind zu lesen. Fehler bei der Einhaltung der nachstehend aufgeführten Anweisungen können elektrischen Schlag, Brand- und/oder schwere Verletzungen verursachen. Der nachfolgend verwendete Begriff „Elektrowerkzeug“ bezieht sich auf netzbetriebene Elektrowerkzeuge (mit Netzkabel) und auf akkubetriebene Elektrowerkzeuge (ohne Netzkabel).

BEWAHREN SIE DIESE ANWEISUNGEN GUT AUF.

1) Arbeitsplatz

- a) Halten Sie Ihren Arbeitsbereich sauber und aufgeräumt. Unordnung und unbeleuchtete Arbeitsbereiche können zu Unfällen führen.
- b) Arbeiten Sie mit dem Gerät nicht in explosionsgefährdeter Umgebung, in der sich brennbare Flüssigkeiten, Gase oder Stäube befinden. *Elektrowerkzeuge erzeugen Funken, die den Staub oder die Dämpfe entzünden können.*
- c) Halten Sie Kinder und andere Personen während der Benutzung des Elektrowerkzeugs fern. *Bei Ablenkung können Sie die Kontrolle über das Gerät verlieren.*

2) Elektrische Sicherheit

- a) Der Anschlussstecker des Ladegerätes muss in die Steckdose passen. Der Stecker darf in keiner Weise verändert werden. Verwenden Sie keine Adapterstecker gemeinsam mit Schutzgeerdeten Geräten. *Unveränderte Stecker und passende Steckdosen verringern das Risiko eines elektrischen Schlages.*
- b) Vermeiden Sie Körperkontakt mit geerdeten Oberflächen, wie von Rohren, Heizungen, Herden und Kühlschränken. *Es besteht ein erhöhtes Risiko durch elektrischen Schlag, wenn Ihr Körper geerdet ist.*
- c) Halten Sie das Gerät von Regen fern. *Das Eindringen von Wasser in ein Elektrogerät erhöht das Risiko eines elektrischen Schlages.*

3) Sicherheit von Personen

- a) Seien Sie aufmerksam, achten Sie darauf, was Sie tun, und gehen Sie mit Vernunft an die Arbeit mit einem Elektrowerkzeug. Benutzen Sie das Gerät nicht, wenn Sie müde sind oder unter dem Einfluss von Drogen, Alkohol oder Medikamenten stehen. *Ein Moment der Unachtsamkeit beim Gebrauch des Gerätes kann zu ernsthaften Verletzungen führen.*
- b) Tragen Sie persönliche Schutzausrüstung und immer eine Schutzbrille. *Das Tragen persönlicher Schutzausrüstung, wie Staubmaske, rutschfeste Sicherheitsschuhe, Schutzhelm oder Gehörschutz, je nach Art und Einsatz des Elektrowerkzeugs, verringert*

das Risiko von Verletzungen.

- c) Entfernen Sie Einstellwerkzeuge oder Schraubenschlüssel, bevor Sie das Gerät einschalten. Ein Werkzeug oder Schlüssel, der sich in einem drehenden Geräteteil befindet, kann zu Verletzungen führen.
 - d) Überschätzen Sie sich nicht. Sorgen Sie für einen sicheren Stand und halten Sie jederzeit das Gleichgewicht. Dadurch können Sie das Gerät in unerwarteten Situationen besser kontrollieren.
 - e) Tragen Sie geeignete Kleidung. Tragen Sie keine weite Kleidung oder Schmuck. Halten Sie Haare, Kleidung und Handschuhe fern von sich bewegenden Teilen. Lockere Kleidung, Schmuck oder lange Haare können von sich bewegenden Teilen erfasst werden.
 - f) Wenn Staubabsaug- und auffangeinrichtungen montiert werden können, vergewissern Sie sich, dass diese angeschlossen sind und richtig verwendet werden. Das Verwenden dieser Einrichtungen verringert Gefährdungen durch Staub.
- 4) Sorgfältiger Umgang und Gebrauch von Elektrowerkzeugen
- a) Überlasten Sie das Gerät nicht. Verwenden Sie für Ihre Arbeit das dafür bestimmte Elektrowerkzeug. Mit dem passenden Elektrowerkzeug arbeiten Sie besser und sicherer im angegebenen Leistungsbereich.
 - b) Benutzen Sie kein Elektrowerkzeug, dessen Schalter defekt ist. Ein Elektrowerkzeug, das sich nicht mehr ein- oder ausschalten lässt, ist gefährlich und muss repariert werden.
 - c) Nehmen Sie den Akku aus dem Gerät, bevor Sie Geräteeinstellungen vornehmen, Zubehörteile wechseln oder das Gerät weglegen. Diese Vorsichtsmaßnahme verhindert den unbeabsichtigten Start des Gerätes.
 - d) Bewahren Sie unbenutzte Elektrowerkzeuge außerhalb der Reichweite von Kindern auf. Lassen Sie Personen das Gerät nicht benutzen, die mit diesem nicht vertraut sind oder diese Anweisung nicht gelesen haben. Elektrowerkzeuge sind gefährlich, wenn Sie von unerfahrenen Personen benutzt werden.
 - e) Pflegen Sie das Gerät mit Sorgfalt. Kontrollieren Sie, ob bewegliche Geräteteile einwandfrei funktionieren und nicht klemmen, ob Teile gebrochen oder so beschädigt sind, dass die Funktion des Gerätes beeinträchtigt ist. Lassen Sie beschädigte Teile vor dem Einsatz des Gerätes reparieren. Viele Unfälle haben ihre Ursache in schlecht gewarteten Elektrowerkzeugen.
 - f) Halten Sie Schneidwerkzeuge scharf und sauber. Sorgfältig gepflegte Schneidwerkzeuge mit scharfen Schneidkanten verklemmen sich weniger und sind leichter zu führen.
 - g) Verwenden Sie Elektrowerkzeuge, Zubehör, Einsatzwerkzeuge usw. entsprechend diesen Anweisungen und so, wie es für diesen speziellen

Gerätetyp vorgeschrieben ist. Berücksichtigen Sie dabei die Arbeitsbedingungen und die auszuführende Tätigkeit. Der Gebrauch von Elektrowerkzeugen für andere als die vorgesehenen Anwendungen kann zu gefährlichen Situationen führen.

- 5) Verwendung und Behandlung des Akkuwerkzeugs
 - a) Laden Sie die Akkus nur in Ladegeräten auf, die vom Hersteller empfohlen werden. Für ein Ladegerät, das für eine bestimmte Art von Akku geeignet ist, besteht Brandgefahr, wenn es mit anderen Akkus verwendet wird.
 - b) Verwenden Sie nur die dafür vorgesehenen Akkus in den Elektrowerkzeugen. Der Gebrauch von anderen Akkus kann zu Verletzungen und Brandgefahr führen.
 - c) Halten Sie den nicht benutzten Akku fern von Büroklammern, Münzen, Schlüsseln, Nägeln, Schrauben oder anderen kleinen Metallgegenständen, die eine Überbrückung der Kontakte verursachen können. Ein Kurzschluss zwischen den Akkukontakten kann Verbrennungen oder Feuer zur Folge haben.
 - d) Bei falscher Anwendung kann Flüssigkeit aus dem Akku austreten. Vermeiden Sie den Kontakt damit. Bei zufälligem Kontakt mit Wasser abspülen. Wenn die Flüssigkeit in die Augen kommt, nehmen Sie zusätzlich ärztliche Hilfe in Anspruch. Austretende Akkufflüssigkeit kann zu Hautreizungen oder Verbrennungen führen.

6) Service

- a) Lassen Sie das Gerät nur von qualifiziertem Fachpersonal und nur mit Original- Ersatzteilen reparieren. Damit wird sichergestellt, dass die Sicherheit des Gerätes erhalten bleibt.





7) Sicherheitshinweise für Heckenscheren:

1. Halten Sie alle Körperteile vom Schneidmesser fern. Versuchen Sie nicht, bei laufendem Messer Schnittgut zu entfernen oder zu schneidendes Material festzuhalten. Entfernen Sie eingeklemmtes Schnittgut nur bei ausgeschaltetem Gerät (Akku entfernen!). Ein Moment der Unachtsamkeit bei Benutzung der Heckenschere kann zu schweren Verletzungen führen.
2. Tragen Sie die Heckenschere am Griff bei stillstehendem Messer. Bei Transport oder Aufbewahrung der Heckenschere stets die Schutzabdeckung aufziehen. Sorgfältiger Umgang mit dem Gerät verringert die Verletzungsgefahr durch das Messer.
3. Berücksichtigen Sie Umgebungseinflüsse. Sorgen Sie für gute Beleuchtung.
4. Der Betrieb von Heckenscheren ist mit besonderen Gefahren verbunden. Achtung, Gefahr! Umlaufendes Werkzeug.
5. Die Heckenschere darf nur mit beiden Händen geführt werden.
6. Vor dem Einsatz des Gerätes Arbeitsfläche von



DE | Gebrauchsanweisung

Fremdkörpern befreien und während des Arbeitens auf Fremdkörper achten!

7.  Das Kabel des Ladegerätes und seine Verbindungen sind vor jedem Gebrauch auf sichtbare Mängel zu prüfen (Stecker gezogen). Mangelhafte Kabel nicht benutzen.
8.  Schere nicht bei Regen und nicht zum Schneiden nasser Hecken benutzen. Gerät nicht mit Wasser abspritzen. Keine Hochdruckreiniger oder Dampfstrahler zur Reinigung verwenden.
9. Nach den Bestimmungen der landwirtschaftlichen Berufsgenossenschaften dürfen nur Personen über 17 Jahren Arbeiten mit elektrisch betriebenen Heckenschere allein ausführen. Unter Aufsicht Erwachsener ist dies für Personen ab 16 Jahren zulässig.
10.  Nach Ablegen der Heckenschere und vor Reinigungsarbeiten ist sicherzustellen, dass der Motor nicht unbeabsichtigt eingeschaltet werden kann, z. B. durch Betätigen der Einschaltperre. Akku entnehmen!
11. Beachten Sie Ihre Verantwortlichkeit als Benutzer gegenüber Dritten im Arbeitsbereich.
12. Die Schere ist sachgemäß zu warten und zu überprüfen. Die Messer dürfen bei Beschädigung nur paarweise ausgewechselt werden. Bei Beschädigung durch Stoß ist fachmännische Überprüfung unumgänglich.
13. Sorgen Sie dafür, dass das Gerät nach Gebrauch so aufbewahrt wird, dass das Scherblatt nicht berührbar ist (Schutzkcher).
14. Wir empfehlen, sich bei erstmaligem Gebrauch der Heckenschere neben dem Lesen der Gebrauchsanweisung auch praktisch in den Gebrauch des Gerätes einweisen zu lassen.
15. Immer dafür sorgen, dass alle Schutzeinrichtungen und Handgriffe angebracht sind.
16. Niemals versuchen, eine unvollständige Maschine zu benutzen oder eine, die mit einer nicht genehmigten Änderung versehen ist.
17. Machen Sie sich vertraut mit Ihrer Umgebung (verborgene Objekte, z.B. Drahtzäune) und achten Sie auf mögliche Gefahren, die Sie wegen des Maschinenlärms vielleicht nicht hören können.
18. Vermeiden Sie den Gebrauch der Heckenschere bei schlechten Wetterbedingungen, besonders wenn Gefahr eines Gewitters besteht.
19.  **ACHTUNG!** Benutzen Sie nur Zubehör oder Zusatzgeräte, die in der Gebrauchsanweisung aufgeführt sind. Der Gebrauch anderer Einsatzwerkzeuge und anderen Zubehörs kann eine Verletzungsgefahr für Sie bedeuten.

7. Anweisung zum Gebrauch

Schere nicht bei Regen und zum Schneiden nasser Hecken verwenden!

Handschuhe:

Zum Gebrauch der Heckenschere sollten Sie unbedingt Arbeitshandschuhe tragen.

Hinweis zum Gebrauch des Akkus

1. Der AKKU ist im Auslieferungszustand nicht geladen - vor Inbetriebnahme den AKKU erst vollständig laden. (siehe Punkt 8 - Laden des Akkus)
2. Der Akku darf niemals geöffnet werden.
3. Werfen Sie alte oder defekte Akkus niemals ins Feuer - **EXPLOSIONSGEFAHR!**
4. Schließen Sie das Ladegerät nur an die auf dem Typschild angegebene Netzspannung an.
5. Verwenden Sie nur den Original Akku.
6. Akku niemals mit Ladegerät eines anderen Herstellers laden. Dies kann zum Defekt des Akkus oder auch durch Überhitzung zu körperlichen Schäden führen.
7. Bei Dauerbetrieb kann sich der Akku erwärmen. Lassen Sie ihn vor erneutem Laden abkühlen.
8. Ladegerät und Akku außerhalb der Reichweite von Kindern lagern.
9. Benutzen Sie das Ladegerät nicht im Bereich von Dämpfen und brennbaren Flüssigkeiten.
10. Akku nur bei Temperaturen von 10°C bis 40°C laden.
11. Akku nur bei Temperaturen bis 30°C lagern. Höhere Lagertemperaturen können den Akku schädigen. Die ideale Lagertemperatur liegt bei 10-15°C.
12. Akkukontakte niemals kurzschließen oder mit metallischen Gegenständen überbrücken.
13. Beim Transport des Akkus beachten, dass die Kontakte nicht überbrückt werden, keine metallischen Transportbehälter verwenden.
14. Kurzschluss des Akkus kann zu Explosionen führen. Auf jeden Fall wird der Akku durch Kurzschluss beschädigt.
15. Untersuchen Sie das Ladekabel regelmäßig auf Beschädigungen. Lassen Sie beschädigte Kabel ersetzen.
16. Der Akku hat einen Tiefentladeschutz: Das Gerät wird bei entlademem Akku selbsttätig abgeschaltet. Laden Sie in diesem Falle unverzüglich den Akku.
17. Laden Sie den Akku vor Überwinterung nochmals voll auf.

Hinweise zum Umweltschutz

Batterien gehören nicht in den Hausmüll. Als Verbraucher sind Sie gesetzlich verpflichtet, gebrauchte Batterien bzw. Akkus zurückzugeben. Am Ende der Lebensdauer Ihres Gerätes müssen die Batterien bzw. Akkus entnommen und gesondert entsorgt werden. Sie können Ihre alten Batterien und Akkus an den örtlichen Sammelstellen Ihrer Gemeinde oder bei Ihrem Händler bzw. Verkaufsstelle abgeben.

8. Laden des Akkus (Abb.1 und 2)

Zum Entnehmen des Akkus drücken Sie bitte die beiden seitlichen Drucktasten 1 und ziehen den Akku heraus.

- Stecken Sie das Ladegerät in die Netzsteckdose. Vergewissern Sie sich, dass die auf dem Ladegerät angegebene Netzspannung mit der Ihrer Steckdose übereinstimmt.
- Stellen Sie die Verbindung zwischen Ladegerät und Akku her. Dazu den Stecker des Ladegerätes in die Buchse auf der Stirnseite des Akkus stecken.
- Die nun beginnende Akkuladung wird durch die grün blinkende Kontrollleuchte angezeigt. Wenn der Akku voll geladen ist, leuchtet die grüne Leuchtdiode permanent und der Ladevorgang wird automatisch beendet.
- Die Ladezeit beträgt ca. 3-5 Stunden. Während des Ladevorgangs erwärmt sich der Akku. Dies ist normal und nicht als Fehler zu betrachten.
- Es ist nicht notwendig, die Ladezeit zu überwachen.
- Bei Nichtgebrauch das Ladegerät aus der Steckdose entfernen.
- Falls der Akku nicht geladen wird, überprüfen Sie bitte, ob an der Steckdose Spannung vorhanden ist. Falls das Laden des Akkus nicht möglich ist, geben Sie bitte Ladegerät und Akku an die Servicestelle oder eine Fachwerkstatt.

Hinweis! Der AKKU hat einen Tiefentladeschutz.

Wenn der AKKU entladen ist wird die Heckenschere vollständig abgeschaltet und lässt sich nicht wieder einschalten! In diesem Falle muss der AKKU geladen werden (siehe Punkt -Laden des Akkus) bevor das Gerät wieder eingeschaltet und weiter gearbeitet werden kann.

9. Ein - und Ausschalten der Heckenschere (Abb. 3)

Zum Einschalten der Heckenschere nehmen Sie bitte einen sicheren Stand ein. Diese Heckenschere hat eine 2- Hand-Sicherheitsschaltung. Zum Einschalten der Heckenschere muss die Schalterleiste im Handgriff (A) gedrückt sowie der Drehgriff (B) um ca. 45° nach hinten gedreht werden. Zum Ausschalten lassen Sie beide Schalter wieder los. Der Motor schaltet bereits bei Loslassen einer der beiden Schalter ab.

Das Modell ist zusätzlich mit einem „Eco-Switch“ ausgestattet. Damit lässt sich die Leistung in 2 Stufen variieren. High = höhere Leistung, Low = reduzierte Leistung. In der Stellung ‚Low‘ erhöht sich die Betriebszeit des Akkus auf etwa doppelte Dauer, während die Drehzahl der Heckenschere abgesenkt wird. Sie können diese Einstellung verwenden für leichtere Arbeiten, um die Akkustandzeit zu erhöhen. Auf der Rückseite des hinteren Haltegriffs befindet sich der entsprechende Schalter (Abb. 10 und 11).

10. Einstellung des Drehgriffs (Abb. 3-5)

Zur Arbeitserleichterung ist die Heckenschere mit einem neuartigen drehbaren Griff ausgestattet, welcher sowohl in 3 verschiedene Positionen fest eingestellt werden kann (rechts, links und Normalposition), oder der auch für eine komfortable Arbeitsweise stufenlos während der Arbeit schwenkbar ist.

Der Zweck dieser Vorrichtung besteht darin, dass besonders für den Schnitt in vertikaler Richtung die Heckenschere jeweils in der ergonomisch günstigsten Position geführt werden kann und einer vorzeitigen Ermüdung des Anwenders vorgebeugt wird.

Zum Einstellen des Griffes in eine der 3 feststehenden Positionen verfahren Sie bitte wie folgt:

Schalter (A) loslassen. Roten Verriegelungsknopf (C) (Abb. 3) drücken. Der vordere Griff wird dadurch entriegelt und kann nun in die gewünschte Position gedreht werden (Abb. 4). In einer der gewünschten Endpositionen rastet der Knopf wieder ein und sichert den Griff gegen unbeabsichtigtes Verdrehen.

Für eine komfortablere Arbeitsweise kann der Drehgriff auch stufenlos geschwenkt werden. Drücken Sie dazu entweder den roten Verriegelungsknopf C und halten Sie diesen gedrückt. Die Heckenschere kann nun während der Arbeit bequem in alle Richtungen geschwenkt werden.

Zur Erhöhung der Sicherheit bei der Bedienung des Drehgriffes wird der Antrieb des Schermessers in weniger als 0,1 Sekunden ausgeschaltet, sobald Sie entweder den Schalter am Handgriff(A) oder die rote Schalterleiste am Drehgriff (B) loslassen. Damit ist gewährleistet, dass die Heckenschere nur betriebsbereit ist, wenn sich beide Hände an den Haltegriffen befinden und gleichzeitig beide Schalter betätigt werden. Die Gefahr einer Verletzung wird dadurch - in Verbindung mit der extrem kurzen Nachlaufzeit - wirkungsvoll unterbunden.

11. Halten der Heckenschere zum Gebrauch (Abb. 4, 5 und 8)

Mit diesem Werkzeug können Sie schnell und bequem Büsche, Hecken und Sträucher schneiden. Um beim Arbeiten mit der Heckenschere die ergonomisch günstigste Halteposition zu erreichen ist bei Kopfschnitt der vordere drehbare Haltegriff in die senkrechte Position (0°) und bei Seitenschnitt - je nach Schnittrichtung - in die 85° Position zu stellen (Abb.4 und 5).

Schneiden von Hecken

- junge Triebe schneiden Sie am besten mit einer Sensenbewegung.
- ältere, stärkere Hecken schneiden Sie am besten mit einer Sägebewegung.
- Äste, welche zu dick für die Schneidmesser sind, sollten mit einer Säge geschnitten werden.
- die Seiten einer Hecke sollten nach oben hin verjüngt geschnitten werden.

Um eine gleichbleibende Höhe zu erreichen

- eine Richtschnur auf die gewünschte Höhe spannen.
- gerade über diese Linie schneiden.

Sorgen Sie immer für einen sicheren Stand, damit ein Abrutschen verhindert und eventuelle Verletzungen auszuschließen sind. Halten Sie die Schermesser immer vom Körper weg.

DE | Gebrauchsanweisung

12. Wartung

Vor allen Arbeiten an der Maschine stets den Akku aus der Heckenschere ziehen!

Wichtig: Nach jedem größeren Einsatz der Heckenschere sollten die Messer gereinigt und eingeeölt werden. Dadurch wird die Lebensdauer des Gerätes entscheidend beeinflusst. Beschädigte Schneideinrichtungen sind sofort sachgemäß instandzusetzen. Reinigen Sie die Messer mit einem trocknen Tuch bzw. bei starker Verschmutzung mit einer Bürste. **Vorsicht: Verletzungsgefahr.** Das Einölen der Messer sollte möglichst mit einem umweltfreundlichen Schmiermittel vorgenommen werden. (Bild 6)

Schärfen der Messer

Die Messer sind weitgehend wartungsfrei und müssen bei bestimmungsgemäßer Anwendung nicht nachgeschärft werden. Das Messer kann vom Anwender nicht fachgerecht ausgetauscht werden, ohne das Gerät zu öffnen und in die Sicherheitskonfiguration einzugreifen. Ein Austausch der Messer kann deshalb nur durch eine Fachwerkstatt erfolgen.

Auswechseln der Messer

Nur ein fachgerechtes Einsetzen der Messer garantiert den einwandfreien Betrieb der Heckenschere. Das Auswechseln der Messer darf deshalb nur von einer Fachwerkstatt vorgenommen werden.



13. Optimale Sicherheit

Durch die 5 Komponenten 2-Hand-Sicherheitschaltung, Messer-Schnellstop, Schutzschild, Sicherheitsmesserbalken und Anstoßschutz ist die Heckenschere mit optimalen Sicherheitselementen ausgestattet.

Achtung!

Stellen Sie während des Arbeitens mit der Heckenschere fest, dass Sicherheitsfunktionen, wie die 2-Hand-Schaltung oder der Schnellstop nicht gewährleistet sind, dann beenden Sie unverzüglich Ihre Arbeit und führen das Gerät einer autorisierten Fachwerkstatt zwecks Reparatur zu!

2-Hand-Sicherheitschaltung (Abb.3)

Zum Einschalten der Heckenschere muss die Schalterleiste im Handgriff (A) gedrückt sowie der Drehgriff (B) um ca. 45° nach hinten gedreht werden. Zum Ausschalten lassen Sie beide Schalter wieder los. Der Motor schaltet bereits bei Loslassen einer der beiden Schalter ab.

Messer-Schnellstop

Zur Vermeidung von Schnittverletzungen stoppt das Messer nach Loslassen eines der beiden Schaltelemente in ca. 0,1 Sekunden.

Sicherheitsmesserbalken (Abb. 7)

Das vom Messerbalken um 8 mm zurückgesetzte Schneidmesser vermindert die Verletzungsgefahr durch unbeabsichtigte Körperberührung.

Anstoßschutz (Abb. 12)

Die überstehende Führungsschiene verhindert beim Anstoßen an einen festen Gegenstand (Wand, Boden usw.), dass unangenehme Schläge (Rückstoßmomente der Messer) auf den Bedienenden auftreten.

Getriebeschutz

Wenn sich feste Gegenstände in den Schneidmessern verkleben und dadurch den Motor blockieren, Maschine sofort ausschalten. Akku aus dem Gerät ziehen, Gegenstand entfernen und weiterarbeiten.

Bei dem Gerät ist eine Überlastsicherung eingebaut, welche bei Messerblockierung das Getriebe vor mechanischen Schäden schützt.

14. Aufbewahren der Heckenschere nach dem Gebrauch

Die Heckenschere muss so aufbewahrt werden, dass sich niemand an den Schermessern verletzen kann! Immer den mitgelieferten Schutzköcher über das Messer schieben!

Wichtig: Nach jedem Gebrauch sollten die Messer gereinigt und eingeeölt werden (siehe auch Abschnitt Wartung). Dadurch wird die Lebensdauer des Gerätes entscheidend beeinflusst. Das Einölen sollte möglichst mit einem umweltfreundlichen Schmiermittel, z. B. Service-Spray vorgenommen werden. Danach stecken Sie die Heckenschere mit den Messern in den Köcher.

15. Reparaturdienst

Reparaturen an Elektrowerkzeugen dürfen nur durch eine Elektro-Fachkraft ausgeführt werden. Bitte beschreiben Sie bei der Einsendung zur Reparatur den von Ihnen festgestellten Fehler.

UK Mantis UK Limited
Orchard House
Hempshaw Lane
Stockport
Cheshire SK1 4LH
Phone - 4401614741525

Europa Mantis France SARL
20 rue des Garences
Marly
France
51755
Phone - 330387628888

16. Entsorgung und Umweltschutz

Wenn Ihr Gerät eines Tages unbrauchbar wird oder Sie es nicht mehr benötigen, geben Sie das Gerät bitte auf keinen Fall in den Hausmüll, sondern entsorgen Sie es umweltgerecht. Geben Sie das Gerät bitte in einer Verwertungsstelle ab. Kunststoff- und Metallteile können hier getrennt und der Wiederverwertung zugeführt werden. Auskunft hierzu erhalten Sie auch in Ihrer Gemeinde- oder Stadtverwaltung.

BESCHRÄNKTE MANTIS-GARANTIE – BATTERIEBETRIEBENE PRODUKTE

MANTIS gewährt diese beschränkte Garantie auf Material- und Ausführungsmängel für einen Zeitraum von zwei (2) Jahren bei normalem Gebrauch ab dem Datum des Kaufs durch den Erstkäufer.

MANTIS verpflichtet sich dazu, alle Teile dieses Produkts, an denen während der Garantiezeit nachweislich Material- oder Ausführungsmängel auftreten, im eigenen Ermessen zu reparieren oder zu ersetzen. Unter die Garantie fallende Reparatur- und Ersatzleistungen werden kostenlos durchgeführt. Alle unter dieser Garantie ersetzten Teile gelten als Teile des Originalprodukts und jede Garantie für die ersetzten Teile erlischt zusammen mit der ursprünglichen Produktgarantie. Wenn Sie der Ansicht sind, dass Ihr batteriebetriebenes MANTIS-Produkt Material- oder Verarbeitungsmängel aufweist, müssen Sie es zusammen mit Ihrem Kaufbeleg (Ihrer Quittung) an MANTIS zurückschicken. Sie sind für alle Abhol- und Zustellkosten verantwortlich; das Produkt muss unter Bezahlung der Portogebühren an uns zurückgeschickt werden.

MANTIS übernimmt keine Verantwortung für den Fall, dass das Produkt nicht gemäß der im Benutzerhandbuch enthaltenen oder dem Produkt beiliegenden Montage-, Pflege-, Sicherheits- oder Bedienungsanleitung zusammengebaut oder benutzt wurde. Diese beschränkte Garantie deckt keine Schäden oder Defekte aufgrund normalen Verschleißes, einer Nichtdurchführung angemessener und geeigneter Wartungsmaßnahmen, einer Nichtbeachtung der Bedienungsanleitung oder des Benutzerhandbuchs, einer unsachgemäßen Lagerung oder von Unfällen. [Von der Garantie ausgeschlossen sind ferner Ersatzteile und Serviceleistungen im Rahmen der laufenden Wartung.] Diese beschränkte Garantie ist unwirksam, wenn Ihr batteriebetriebenes Mantis-Produkt fahrlässig gehandhabt oder von anderen Personen als einem Vertragshändler oder autorisierten Kundendienstzentrum repariert oder modifiziert wurde.

Sie müssen Ihr batteriebetriebenes MANTIS-Produkt durch Beachtung der im Benutzerhandbuch beschriebenen Wartungsverfahren in Stand halten. Diese laufende Wartung durch Sie selbst oder einen Händler erfolgt auf Ihre eigenen Kosten.

MANTIS GEWÄHRT KEINE AUSDRÜCKLICHEN ODER STILLSCHWEIGENDEN GARANTIE ODER ZUSICHERUNGEN AUSSER DENJENIGEN, DIE HIER ENTHALTEN SIND. ES GIBT KEINE ANDEREN GEWÄHRLEISTUNGEN; EINSCHLIESSLICH GEWÄHRLEISTUNGEN DER HANDELSÜBLICHEN QUALITÄT UND DER EIGNUNG ZU EINEM BESTIMMTEN ZWECK. ALLE GEWÄHRLEISTUNGEN MIT AUSNAHME DER OBEN BESCHRIEBENEN AUSDRÜCKLICHEN GARANTIE WERDEN AUSDRÜCKLICH ABGELEHNT. DIE DAUER JEDLICHER STILLSCHWEIGENDEN GARANTIE, EINSCHLIESSLICH DER GARANTIE DER HANDELSÜBLICHEN QUALITÄT UND DER EIGNUNG ZU EINEM BESTIMMTEN ZWECK, IST AUF DIE DAUER DIESER SCHRIFTLICHEN BESCHRÄNKTEN GARANTIE BESCHRÄNKT. MANTIS LEHNT JEDLICHE HAFTUNG FÜR MITTELBARE, NEBEN- UND/ODER FOLGESCHÄDEN IN VERBINDUNG MIT DER NUTZUNG DER UNTER DIESE GARANTIE FALLENDEN MANTIS-PRODUKTE AB. BESTIMMTE RECHTSPRECHUNGEN GESTATTEN KEINE BESCHRÄNKUNGEN BEZÜGLICH DER DAUER EINER STILLSCHWEIGENDEN GARANTIE UND/ODER SIE UNTERSAGEN DEN AUSSCHLUSS ODER DIE EINSCHRÄNKUNG MITTELBARER ODER FOLGESCHÄDEN. DIE OBEN GENANNTEN EINSCHRÄNKUNGEN UND AUSSCHLÜSSE TREFFEN DAHER MÖGLICHERWEISE NICHT AUF SIE ZU. DURCH DIESE GARANTIE ERHALTEN SIE SPEZIFISCHE RECHTE. SIE BESITZEN DARÜBER HINAUS MÖGLICHERWEISE NOCH WEITERE RECHTE, DIE SICH JE NACH RECHTSPRECHUNG UNTERSCHIEDEN KÖNNEN.

EC Declaration of Conformity / Déclaration de Conformité pour la CE / EG-Konformitätserklärung

We, Nous, Wir **Mantis UK Limited**
Orchard House
Hempshaw Lane
Stockport
Cheshire SK1 4LH

declare under our sole responsibility that the product / déclarons sous notre seule responsabilité que la produit / erklären in alleiniger Verantwortung, dass das Produkt

Battery Hedge-Trimmer / Taille-haies accu / Akku- Heckenschere

8550-01-38 UK
8550-01-40 Europe

to which this declaration relates correspond to the relevant basic safety and health requirements of Directives / faisant l'objet de la déclaration sont conformes aux prescriptions fondamentales en matière de sécurité et de santé stipulées dans les Directives de la / auf das sich diese Erklärung bezieht, den einschlägigen Sicherheits- und Gesundheitsanforderungen der EG-Richtlinien einschließlich Änderungen entspricht

2006/42/EC, 2004/108/EC, 2006/95/EC, 2000/14/EC

For the relevant implementation of the safety and health requirements mentioned in the Directives, the following standards and/or technical specification(s) have been respected / Pour mettre en pratique dans les règles de l'art les prescriptions en matière de sécurité et de santé stipulées dans les Directives de la CEE, il a été tenu compte des normes et/ou des spécifications techniques suivantes / Zur sachgerechten Umsetzung der in den EG-Richtlinien genannten Sicherheits- und Gesundheitsanforderungen wurden folgende Normen und/oder technische Spezifikation(en) herangezogen

EN 60745-1, EN 60745-2-15
EN 55014-1, EN 55014-2
EN 61000-3-2, EN 61000-3-3
EN 62233

The hedge trimmer's „turn handle“ was assessed in accordance with the Machinery Directive **2006/42/EC** in the course of a risk assessment in accordance with / La «**poignée rotative**» de cette cisaille a été appréciée selon la directive machines **2006/42/CE** d'après une évaluation du risque selon / Der „**Drehgriff**“ dieser Heckenschere wurde beurteilt nach der Maschinen-Richtlinie **2006/42/EG** anhand einer Risikobewertung nach

DIN EN ISO 12100:2011-03; EN ISO 12100:2010

Conformity assessment method to / Procédure d'évaluation de conformité voir / Konformitätsbewertungsverfahren nach

Annexe V / Directive 2000/14/EC

The year of manufacture is printed on the nameplate and can be additionally retrieved via the consecutive serial number / L'année de fabrication est indiquée sur la plaque de l'appareil et est également repérable sur le numéro de série consécutif / Das Baujahr ist auf dem Typschild aufgedruckt und zusätzlich anhand der fortlaufenden Seriennummer feststellbar /

Measured acoustic capacity level / Niveau sonore mesuré / Gemessener Schalleistungspegel
92,3 dB (A)

Guaranteed acoustic capacity level / Niveau sonore garanti / Garantierter Schalleistungspegel
94,0 dB (A)

Stockport: YYYY,MM,DD



Maintenance of technical documentation / La documentation technique est conservée par / Aufbewahrung der technischen Unterlagen:
Mantis UK Limited, Orchard House, Hempshaw Lane, Stockport

