



Future Aluminium Co.





- *Company Information*
 - *Company Products*
 - *Quality Policy*
 - *ISO Certificates*
 - *Client Certificates*
 - *Organization Chart*
 - *Equipment & Machineries*
- *Ongoing Projects*

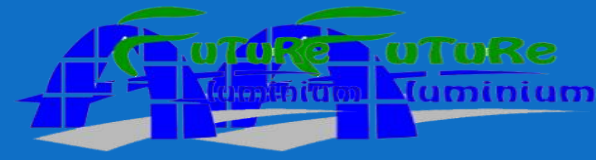
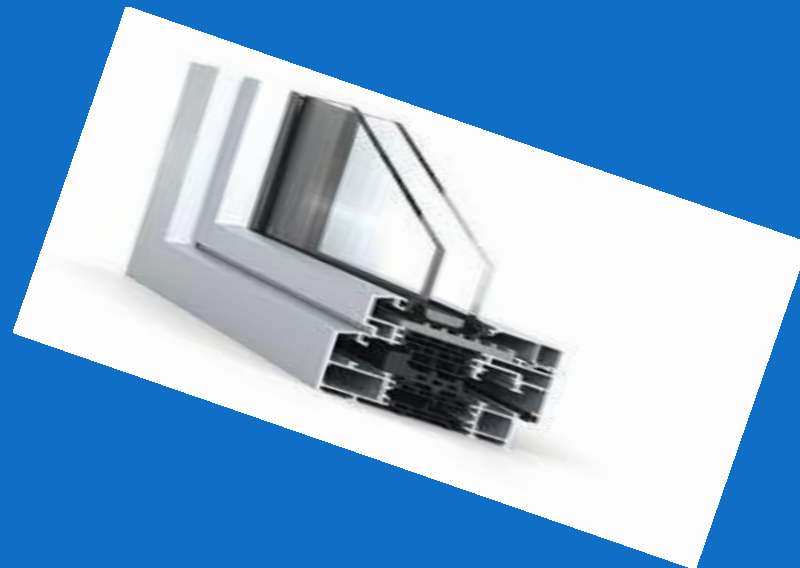
About Us

Future Aluminum was established in the year 1995.

Future Aluminum Establishment has been manufacturing custom aluminum window systems since 1995. Having numerous advantages over other materials, aluminum windows quickly claimed a leading place in the construction industry.

Aluminum is an extremely versatile building material. Light weight, strong, resistant to corrosion and recyclable, aluminum is a particularly suitable material for windows construction.

Thermally broken Aluminum is the perfect Material to build Architecturally relevant Window Systems in such diverse spaces as conversion live/work lofts, education buildings, residential structures and office spaces.



VISION

FUTURE ALUMINUM VISION to be a world class aluminum industry in building materials, manufacturing and construction with unique attributes, characterized by quality products and services, excellence in practices and values that nurture human potential.

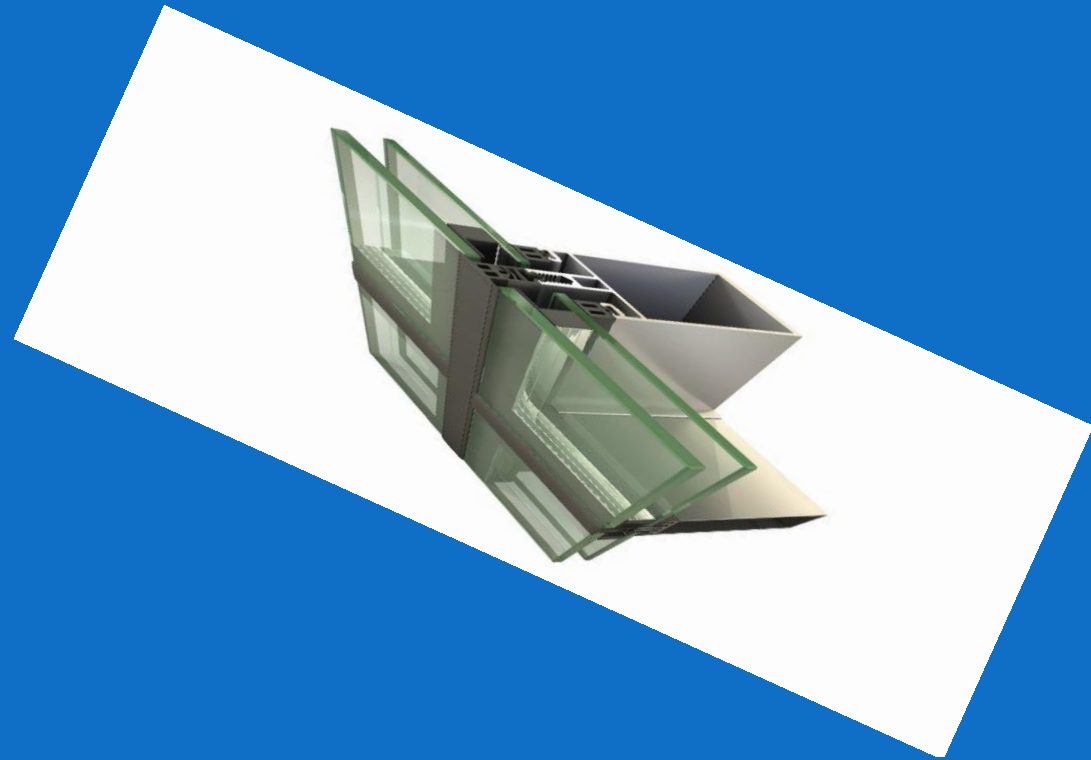
MISSION

FUTURE ALUMINUM MISSION in delivering quality works on time and working with the latest and safest aluminum construction systems and procedures to fulfill customer's satisfaction.



Company Products

- 1. *Curtain Wall***
- 2. *Structural Windows***
- 3. *Aluminum Doors***
 - A. Hinged Doors*
 - B. Sliding Doors*
 - C. Automatic Doors*
- 4. *Aluminum Windows***
 - A. Hinged Windows*
 - B. Sliding Windows*
 - C. Top Hinged Windows*
 - D. Tilt & Turn*
 - E. Pivot Windows*
 - F. Lift & Slide*
- 5. *Metal Cladding***
 - A. Wall Cladding*
 - B. Column Cladding*
- 6. *Canopies, Domes & Skylights***



Quality Policy

Through continual improvement of the Quality Management system, Future Aluminum renews its commitment to comply with the requirements of IS/ISO-9001:2008 to ensure reliable quality, at a competitive price and in turn, enhance customer satisfaction in the manufacture and supply of architectural openings solutions.

In order to accomplish this, the company strives:

- To detect and prevent any non-conformance during production and implement the means to prevent its recurrence.
- To upgrade technology and improve techniques, systems and procedures and to carry out continuous innovation to meet changing customers needs.
- To create most congenial and healthy working environment for attainment of quality goals with excellence.
- To develop highly motivated and skilled human resources imbued with strong sense of values and commitment to quality.
- To improve the quality of life of the communities living around us in particular and society in general by providing basic needs like health, water, education, etc.

Product Identification

The proprietary "Future Aluminum" Logo along with the four digit lot number imprinted on all the architectural and heavier sections ensures traceability and individual product identity. Each lot number has a distinct data sheet attached to it at the production end, from where the product details such as its chemical composition, manufacturing date, erector number and the staff responsible for the lot can be identified.



ISO 14001 :2004


QMS International plc

Registration Certificate

This document certifies that the environmental management systems of
FUTURE ALUMINIUM FOR ALUMINIUM & GLASS
have been assessed and approved by QMS International plc to the
following environmental management systems, standards and guidelines:-
ISO 14001 : 2004
The approved environmental management systems apply to the following:-
ALUMINIUM MANUFACTURER

Original Approval: 20 July 2012

Current Certificate: 20 July 2012

Certificate Expiry: 19 July 2022

Certificate Number: KSA 20444


**ISO 14001
REGISTERED FIRM**


On behalf of QMS International plc


IAC
ACCREDITATION

This Certificate remains valid while the holder maintains their environmental management systems in accordance
with the standards and guidelines above, which will be audited by QMS International plc.
This Certificate is the property of QMS International plc and must be returned in the event of cancellation.


QMS
International plc



ISO 18001:2007



QMS International plc

Registration Certificate

This document certifies that the occupational health and safety management systems of
FUTURE ALUMINIUM FOR ALUMINIUM & GLASS
have been assessed and approved by QMS International plc to the following occupational health and safety management systems, standards and guidelines:-
BS OHSAS 18001 : 2007
The approved occupational health and safety management systems apply to the following:-
ALUMINIUM MANUFACTURER

Original Approval: 20 July 2012

Current Certificate: 20 July 2012

Certificate Expiry: 19 July 2022

Certificate Number: KSA 20445


On behalf of QMS International plc

This Certificate remains valid while the holder maintains their occupational health and safety management systems in accordance with the standards and guidelines above, which will be audited by QMS International plc.
This Certificate is the property of QMS International plc and must be returned in the event of cancellation.









ISO 9001:2008





Authorised

ALUK[®]

Fabricator

**FUTURE ALUMINUM & GLASS
SYSTEMS FACTORY**

P.O. BOX 3936
11481 RIYADH, SAUDI ARABIA

Is hereby appointed by
ALUK GROUP SPA (ITALY)
as Authorised ALUK Fabricator
in SAUDI ARABIA

ALUK GROUP S.p.A.

Giuseppe D'Alto

Issued: 22/10/2015



ريجنارس الشرق الأوسط
مبنى 54245، ماناما، مملكة البحرين
T +973 17 877 266 - F +973 17 877 269
www.reynaers.com - info.med@reynaers.com

REYNAERS MIDDLE EAST CO W.L.L.
P.O. Box 54245, Manama, Kingdom of Bahrain
T +973 17 877 266 - F +973 17 877 269
www.reynaers.com - info.med@reynaers.com



20 Sep 2012

Ref: RME/MD/30092012/01

CERTIFICATION

To whom it may concern

Subject: REYNAERS MIDDLE EAST CERTIFICATION AS AUTHORIZED FABRICATOR

To: M/S. FUTURE ALUMINUM & GLASS SYSTEM FACTORY, RIYADH, K.S.A

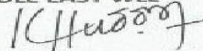
AS REYNAERS MIDDLE EAST, we are pleased to confirm M/s Future Aluminum & Glass System Factory, as authorized fabricator in executing the installation of REYNAERS systems for the projects in the Kingdom of Saudi Arabia.

As both FUTURE ALUMINUM and REYNAERS MIDDLE EAST, have the mutual interests in the construction of the prestigious projects in the KSA and as such Future Aluminum is collaborating in terms of products, fabrication and installation.

REYNAERS MIDDLE EAST will ensure full technical and engineering support to FUTURE ALUMINUM and also guarantee that the installation for all the works needed and required shall be carried out as per the required REYNAERS standard.

We, at RME, are committed to deliver the best in the industry and take the privilege of satisfying and meeting the requirements of all the concerned.

Yours faithfully

For REYNAERS MIDDLE EAST WLE
Khaja Haseebuddin 
Sales Manager (Saudi Central)



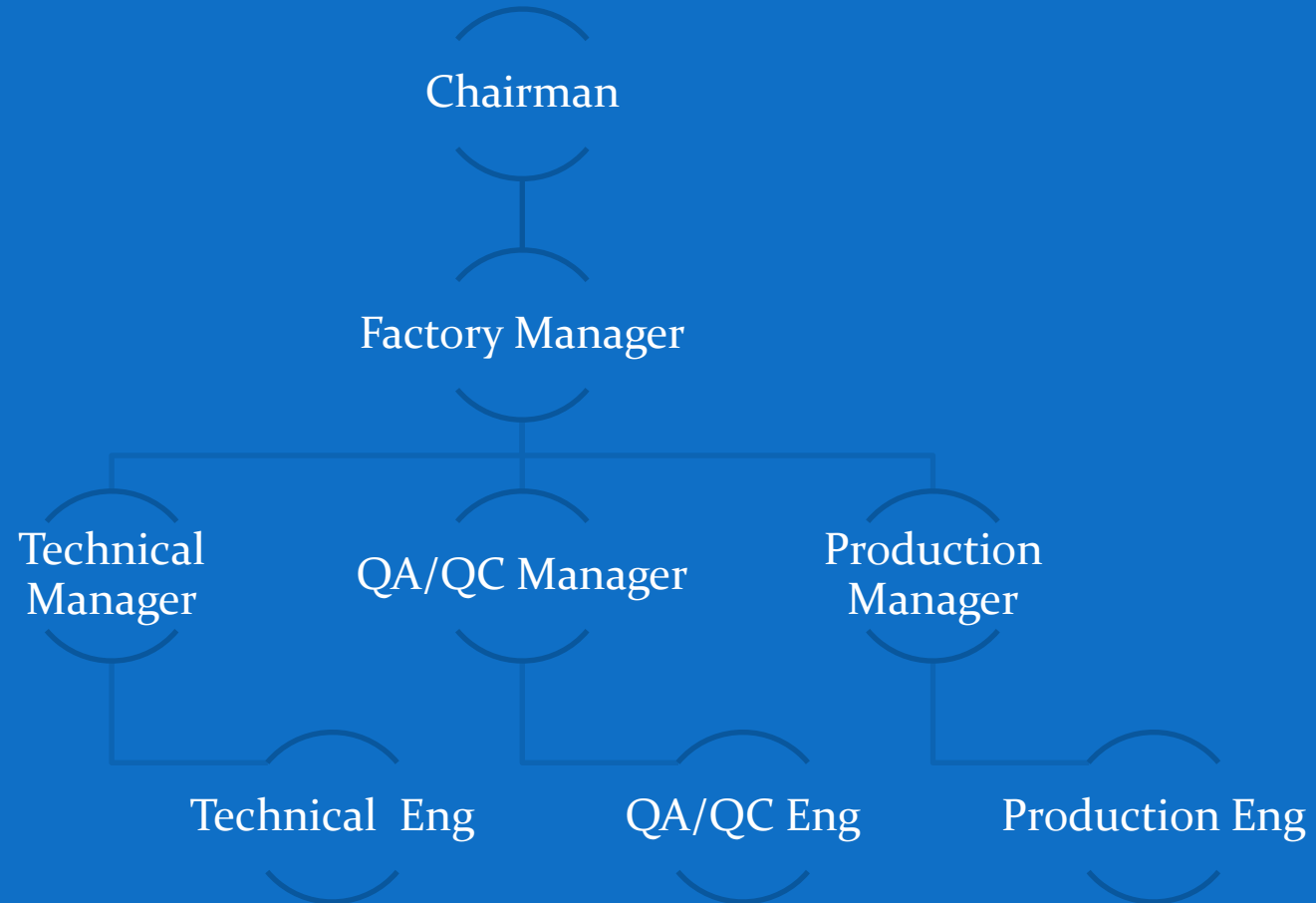
1515
2015-11-14

| | | | | | |
|---|-------------------------------|--|------------------------------|--|-----------|
| | خطيب و علمي Khatib & Alami | | شركة تطوير للمباني SAGCOM | | إيد ID |
| Educational buildings Constructions مشروع المباني التطبيقية | | | | | |
| طلب تأهيل (PQ) Pre-Qualification Request | | | | | |
| ALL PROJECT | | Project Name اسم المشروع JEDDAH - TBC- 0034/2014 | | Project No المشروع رقم PQ-AR-ALL-074 REV:01 | |
| Req. Time وقت الطلب 11/11/2015 | | Req. Date تاريخ الطلب 11/11/2015 | | Request No الطلب رقم | |
| <input type="checkbox"/> Civil مدني | | <input checked="" type="checkbox"/> Arch معماري | | <input type="checkbox"/> HVAC تكييف | |
| <input type="checkbox"/> PLUM صحن | | <input type="checkbox"/> Elec كهرباء | | <input type="checkbox"/> Other اخرى | |
| Statement بيان | | Type نوع | | | |
| Attachments مرافقات | | Description وصف | | | |
| YES | | Certificates شهادات | | | |
| PROFILE | | Previous approval موافقات سابقة | | | |
| | | Catalogue/Brochure كتالوج / كتيبة | | | |
| | | CV السيرة الذاتية | | | |
| | | Other اخرى | | | |
| PREQUALIFICATION FOR FUTURE ALUMINIUM | | | | | |
| ملاحظة: اخطأ الاستشاري / المالك لا يعفي المقاول من مسؤوليته بقاء العمل حسب المستندات القانونية ويشتمل آخر إصدار من الاعلانات و متطلبات الآمن و قواعد و نظم الهندسة المحلية Checking and approval by the consultant / client shall not relieve the contractor of his obligations to perform the work in accordance with the contract documents, updated approvals, requirements of safety and local authorities regulations | | | | | |
| | | Quality Engineer Contractor مهندس الجودة مقاول الاسم Name التوقيع Signature التاريخ Date Consultant Receipt استلام الاستشاري | | Project manager Contractor مدير المشروع مقاول الاسم Name التوقيع Signature التاريخ Date Name الاسم Position الوظيفة Date التاريخ | |
| Consultant Approval & Comments اعتماد و ملاحظات الاستشاري ملاحظات الاستشاري | | (B) ارجو من صاحب الشركة بالقيام بالمرافق كالمعاد و كالمعاد الاستشاري - 1515 | | | |
| No Of Papers عدد الأوراق Attached مرافق Attachments المرافقات | | Approved As Noted معتمد Approved As Noted معتمد Rejected مرفوض Rejected مرفوض | | | |
| Project Manager - Consultant مدير المشروع - الاستشاري الاسم Name التوقيع Signature التاريخ Date Contractor Receipt استلام المقاول | | Consultant Engineer مهندس - الاستشاري الاسم Name التوقيع Signature التاريخ Date Name الاسم Position الوظيفة Date التاريخ | | | |

Qualification Form



Org Chart



Equipment & Machines

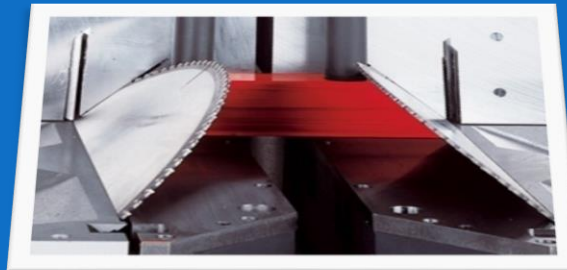
| ITEM NO | EQUIPMENT AND MACHINERIES NAME | QTY. |
|--|---|------|
| DOORS + WINDOWS PRODUCTION LINE | | |
| 1 | Automatic Double Head Mitre Saw | 1 |
| 2 | Single One Head Mitre Saw | 2 |
| 3 | Automatic Aluminum Corner Crimping Machine | 2 |
| 4 | Single Spindle Copy Router | 2 |
| 5 | End Milling Machine | 2 |
| 6 | Profile Machining Centre | 1 |
| 7 | Spacer Filling | 1 |
| GLASS PRODUCTION LINE | | |
| 1 | Insulating Glass Production line Max Glass 2450*3150mm Min Glass 200*450mm | 1 |
| 2 | Automatic Spacer Bending Machine (CNC Control system) Automatic connect and bend | 1 |
| 3 | Desiccant Automatic Filling Machine (Fully Automatic desiccant filling machine monitored by PLC system) | 1 |
| 4 | Two Component Sealants Extruder | 2 |
| 5 | Butyl Extruder (Automatic Adjust the width of the spacer) | 1 |
| 6 | Rotating Table | 1 |



Equipment & Machines

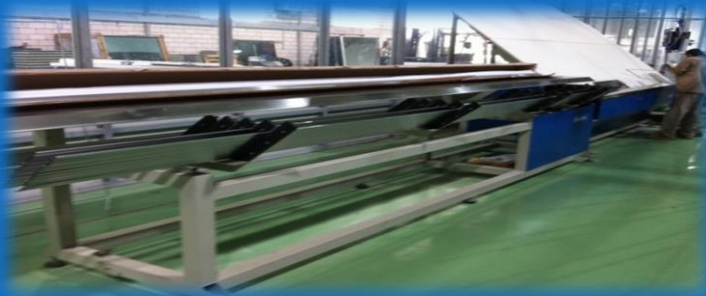
| ITEM NO | EQUIPMENT AND MACHINERIES NAME | QTY. |
|--------------------------|--------------------------------|------|
| GLASS PRODUCTION LINE | | |
| 7 | Belt Cross Grinding Machine | 1 |
| 8 | Mixing Gun Freezer | 1 |
| 9 | Elevator | 1 |
| 10 | Spacer Moving Machine | 1 |
| 11 | Water Treatment Machine | 1 |
| 12 | Glass Table | 1 |
| CLADDING PRODUCTION LINE | | |
| 1 | AXYZ CNC Router | 1 |

Factory Photos













Ongoing Projects

PROJECT NAME : MINISTRY OF CIVIL SERVICES
OFFICES AND BRANCHES BUILDING

LOCATION : 12 PROJECTS LOCATION
BURAIDAH, AL-AHSA, AL-JOUF, ABHA,
HAFAR-AL BATIN, MAKKAH, UNAIZAH,
TAIF, SAUDI ARABIA

SCOPE OF WORKS : SUPPLY, FABRICATION AND
INSTALLATION OF STRUCTURAL GLASS AND AUTOMATIC SLIDING
DOORS

CONTRACT VALUE SR. 10.2 MILLION



Ongoing Projects

PROJECT NAME : NEW 132/13.8kV SUBSTATION
S/S #8152

LOCATION : ORAIJAH, WEST OF RIYADH,
SAUDI ARABIA

SCOPE OF WORKS : SUPPLY, FABRICATION AND
INSTALLATION OF STRUCTURAL
GLAZING AND WINDOWS

CONTRACT VALUE SR. 270 THOUSAND



Ongoing Projects

PROJECT NAME : RIYADH PP11 380kV
SUBSTATION S/S 9022
LOCATION : DHURMA, SAUDI ARABIA
SCOPE OF WORKS : SUPPLY, FABRICATION AND
INSTALLATION OF STRUCTURAL
GLAZING AND WINDOWS
CONTRACT VALUE SR. 950 THOUSAND



Ongoing Projects

PROJECT NAME : GAMI PROJECT
FIRST STAGE HOUSING EXTENSION
LOCATION : AL-KHARJ, SAUDI ARABIA
SCOPE OF WORKS : SUPPLY, FABRICATION AND
INSTALLATION OF STRUCTURAL
GLAZING AND WINDOWS
CONTRACT VALUE SR. 2.5 MILLION



Ongoing Projects

PROJECT NAME : RABIGH IPP PROJECT
LOCATION : SAUDI ARABIA
SCOPE OF WORKS : SUPPLY, FABRICATION AND
INSTALLATION OF STRUCTURAL
GLAZING AND WINDOWS
CONTRACT VALUE SR. 180 THOUSAND



Ongoing Projects

PROJECT NAME : SALINE WATER AND DESALINATION PLANT
LOCATION : RAS AL KAHAIR , AL KHOBAR K.S.A
DAMMAM K.S.A.
SCOPE OF WORKS : SUPPLY, FABRICATION AND
INSTALLATION OF STRUCTURAL
GLAZING AND WINDOWS
CONTRACT VALUE SR. 12 MILLION



Ongoing Projects

PROJECT NAME : TAIBAH UNIVERSITY
LOCATION : MEDINA, SAUDI ARABIA
SCOPE OF WORKS : SUPPLY, FABRICATION AND
INSTALLATION OF STRUCTURAL
GLAZING AND WINDOWS



Ongoing Projects

PROJECT NAME : MINISTRY OF JUSTICE
LOCATION : K.S.A.
SCOPE OF WORKS : SUPPLY, FABRICATION AND
INSTALLATION OF STRUCTURAL
GLAZING AND WINDOWS



Ongoing Projects

PROJECT NAME : YANBU HOUSING PROJECT
LOCATION : K.S.A.
SCOPE OF WORKS : SUPPLY, FABRICATION AND
INSTALLATION OF STRUCTURAL
GLAZING AND WINDOWS



Completed Projects

PROJECT NAME : GE MANUFACTURING TECHNOLOGY CENTER
LOCATION : DAMMAM INDUSTRIAL CITY,
SAUDI ARABIA
SCOPE OF WORKS : SUPPLY, FABRICATION AND
INSTALLATION OF CURTAIN WALLS,
ARC WINDOWS AND AUTOMATIC DOORS
CONTRACT VALUE SR. 1.4 MILLION



Completed Projects

PROJECT NAME : SHUAIBAH IWPP AMENITY BUILDING
LOCATION : SHUAIBAH IWPP, SAUDI ARABIA
SCOPE : FABRICATION, SUPPLY AND INSTALLATION OF CURTAIN
WALL AND ALUMINUM DOORS AND WINDOWS
CONTRACT VALUE SR. 2.3 MILLION



Completed Projects

PROJECT NAME : NOFA EQUESTRIAN RESORT RACING STABLES PROJECT
LOCATION : TEBRAK, SAUDI ARABIA
SCOPE : FABRICATION, SUPPLY AND INSTALLATION OF CURTAIN
WALL AND ALUMINUM DOORS AND WINDOWS
CONTRACT VALUE SR. 1.1 MILLION



Completed Projects

PROJECT NAME : GOVERNORATE COMPLEX CENTER

LOCATION : QUWAYTIYAH, SAUDI ARABIA

SCOPE : FABRICATION, SUPPLY AND
INSTALLATION OF CURTAIN WALL AND ALUMINUM DOORS AND
WINDOWS

CONTRACT VALUE SR. 350 THOUSAND



Completed Projects

PROJECT NAME : ASSAD SAID FOR CONTRACTING CO., LTD HEAD OFFICE BUILDING
LOCATION : RIYADH, SAUDI ARABIA
SCOPE : FABRICATION, SUPPLY AND INSTALLATION OF CURTAIN WALL AND ALUMINUM DOORS AND WINDOWS
CONTRACT VALUE SR. 970 THOUSAND



Completed Projects

PROJECT NAME : PP8 EXTENSION PROJECT
LOCATION : AL-BADEEA RIYADH, SAUDI ARABIA
SCOPE OF WORKS : SUPPLY, FABRICATION AND
INSTALLATION OF STRUCTURAL
GLAZING AND WINDOWS
CONTRACT VALUE SR. 300 THOUSAND

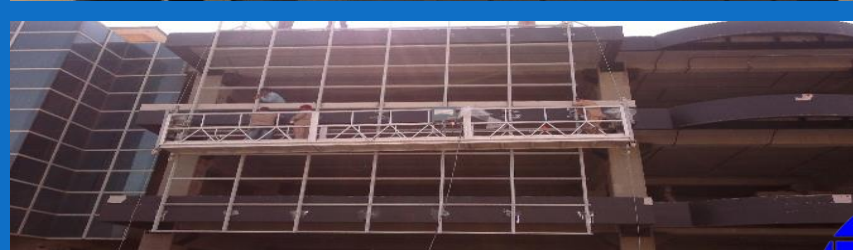
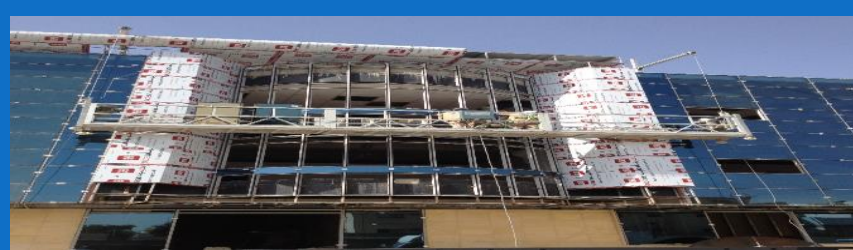


Completed Projects

PROJECT NAME : RIYADH PP10 380kV
SUBSTATION S/S 9022
LOCATION : RIYADH, SAUDI ARABIA
SCOPE OF WORKS : SUPPLY, FABRICATION AND
INSTALLATION OF STRUCTURAL
GLAZING AND WINDOWS
CONTRACT VALUE SR. 400 THOUSAND



Completed Projects



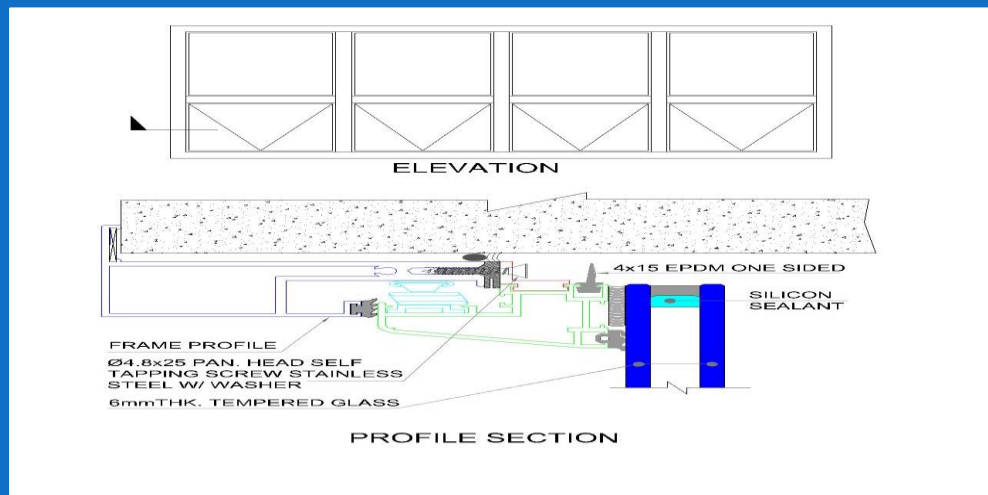
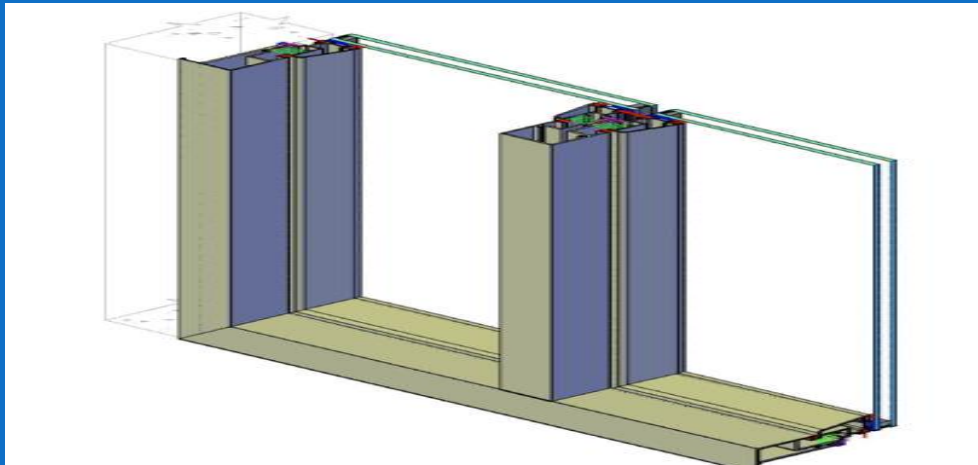
Completed Projects



Completed Projects

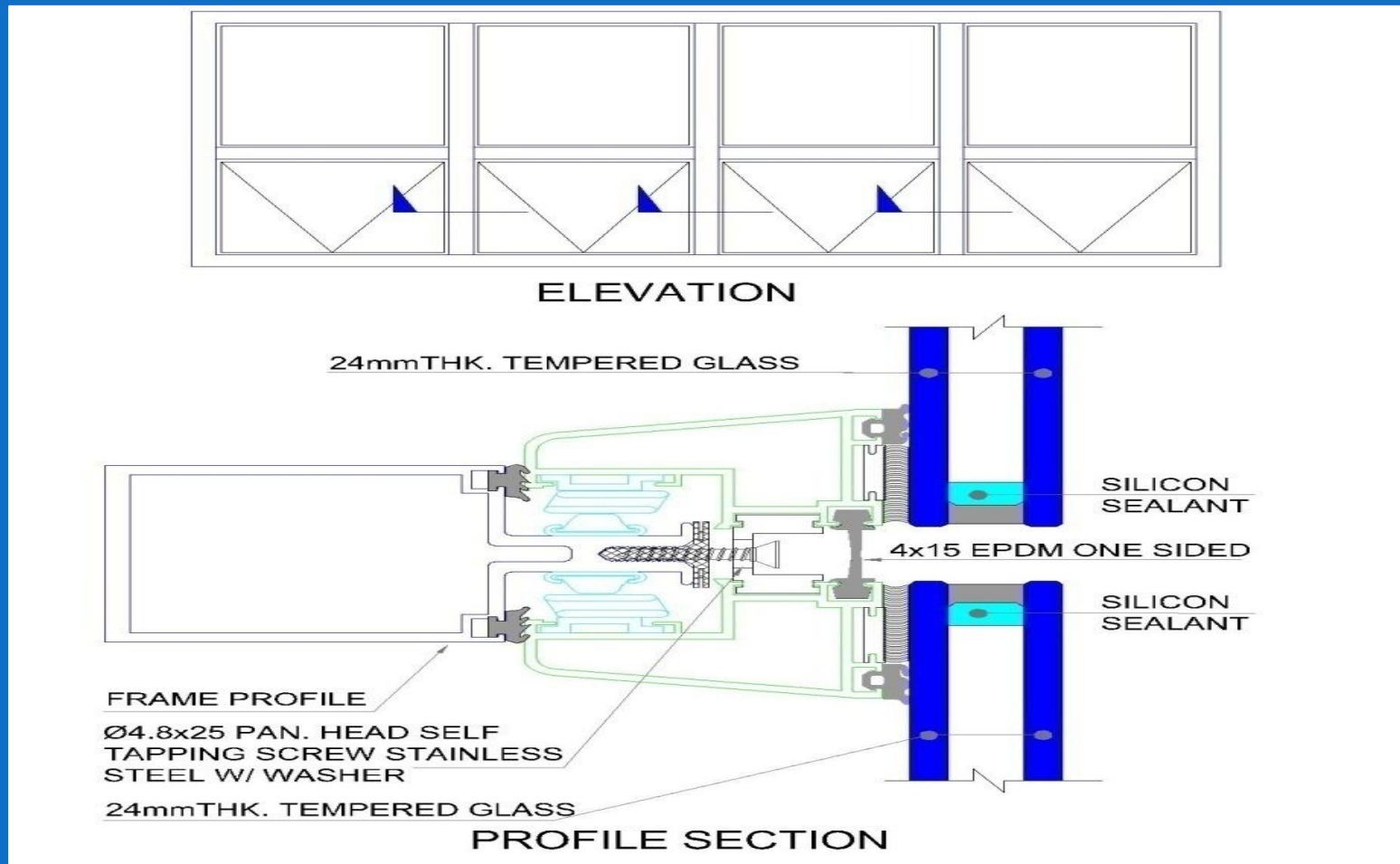


AD-160MM Aluminum Systems Suspended Glass System



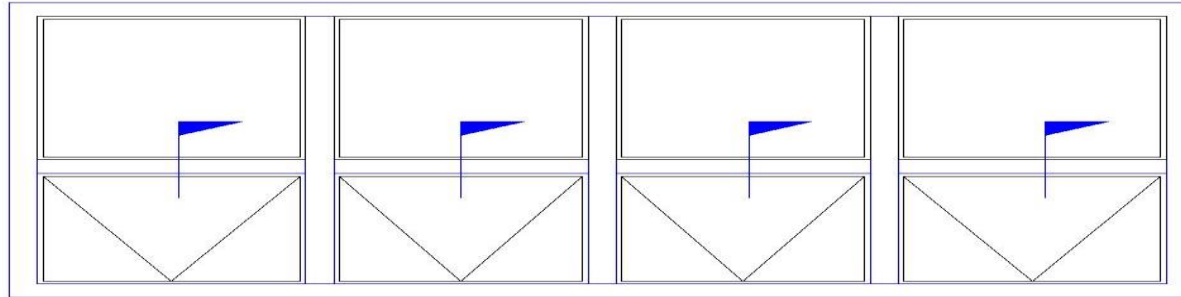
AD-160MM Aluminum Systems

Suspended Glass System

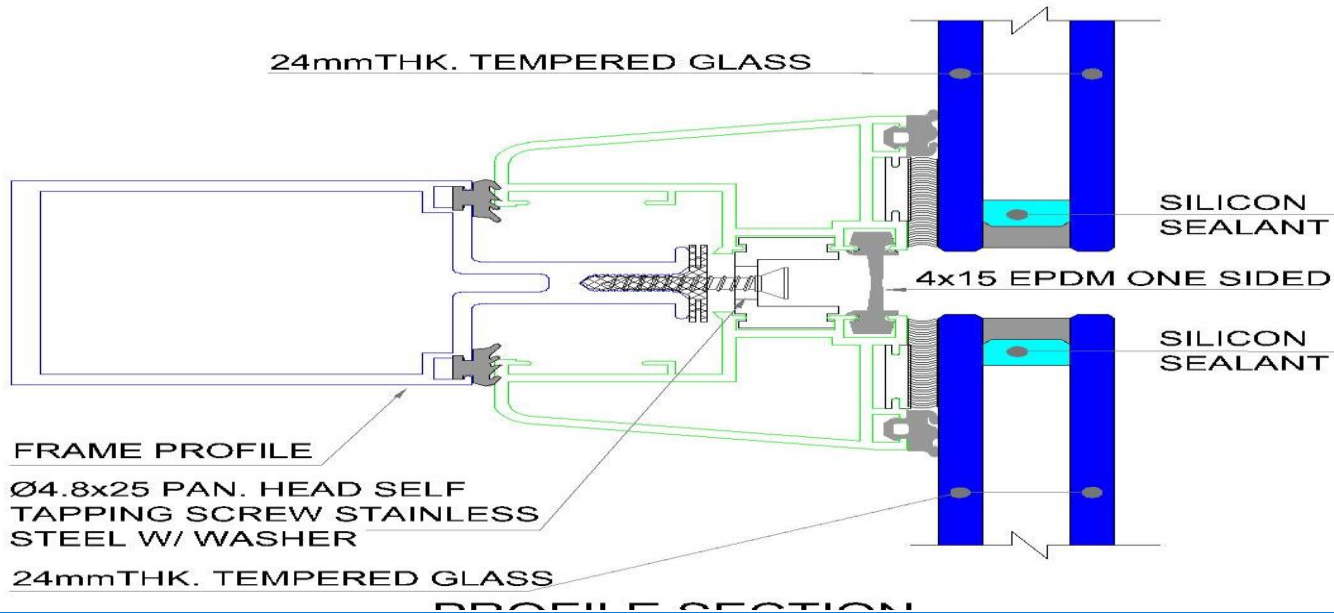


AD-160MM Aluminum Systems

Suspended Glass System

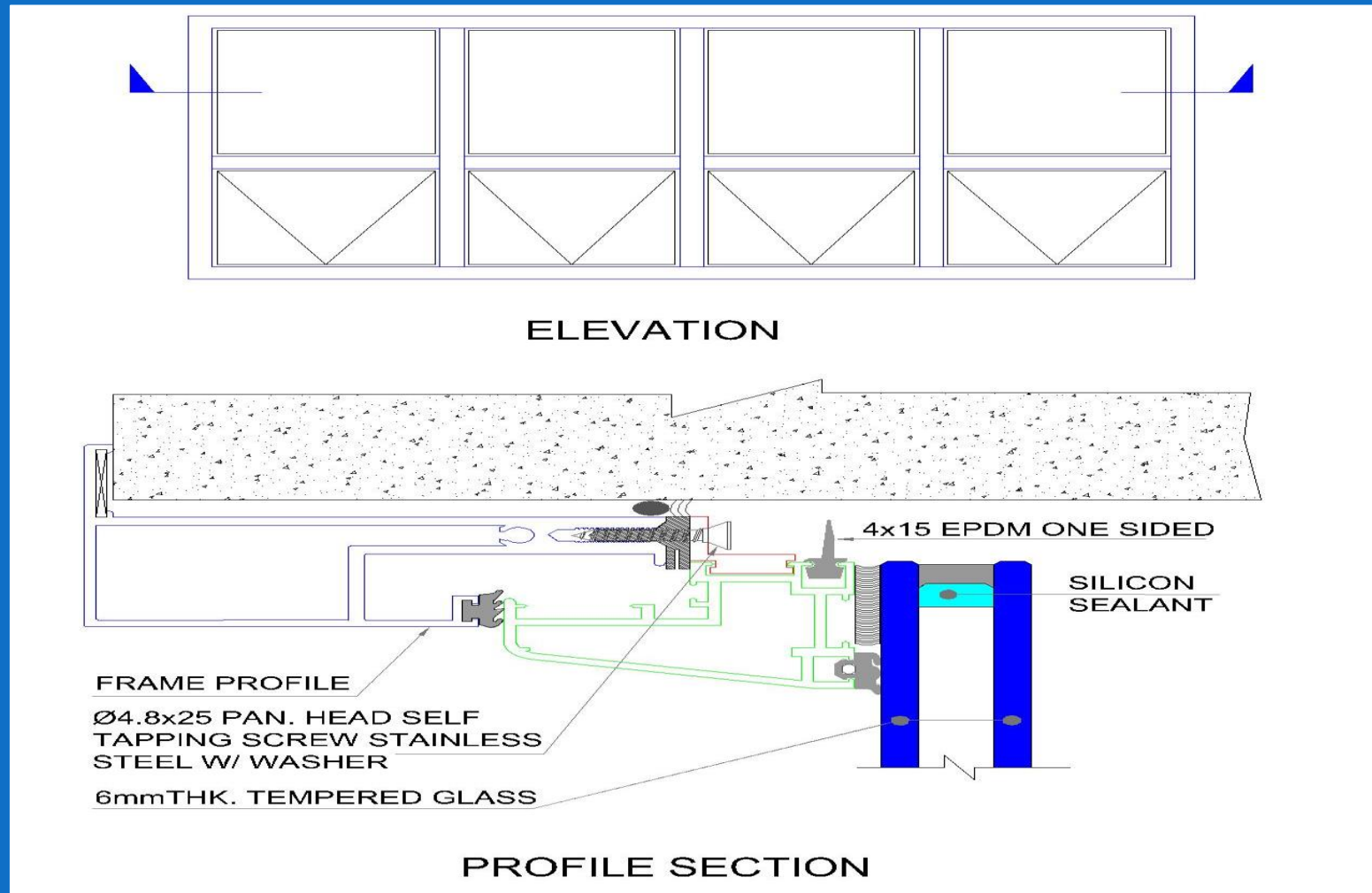


ELEVATION



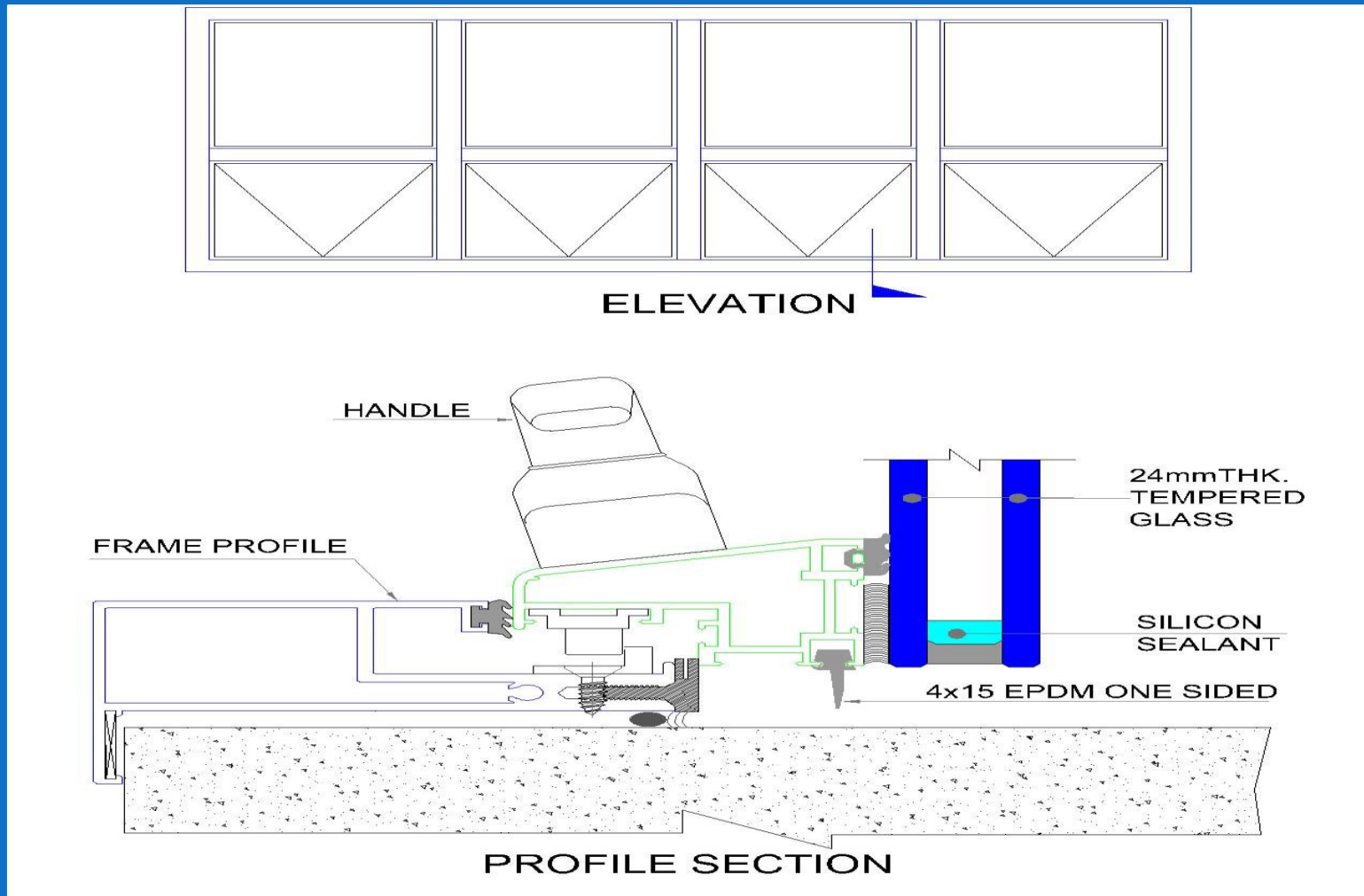
AD-160MM Aluminum Systems

Suspended Glass System



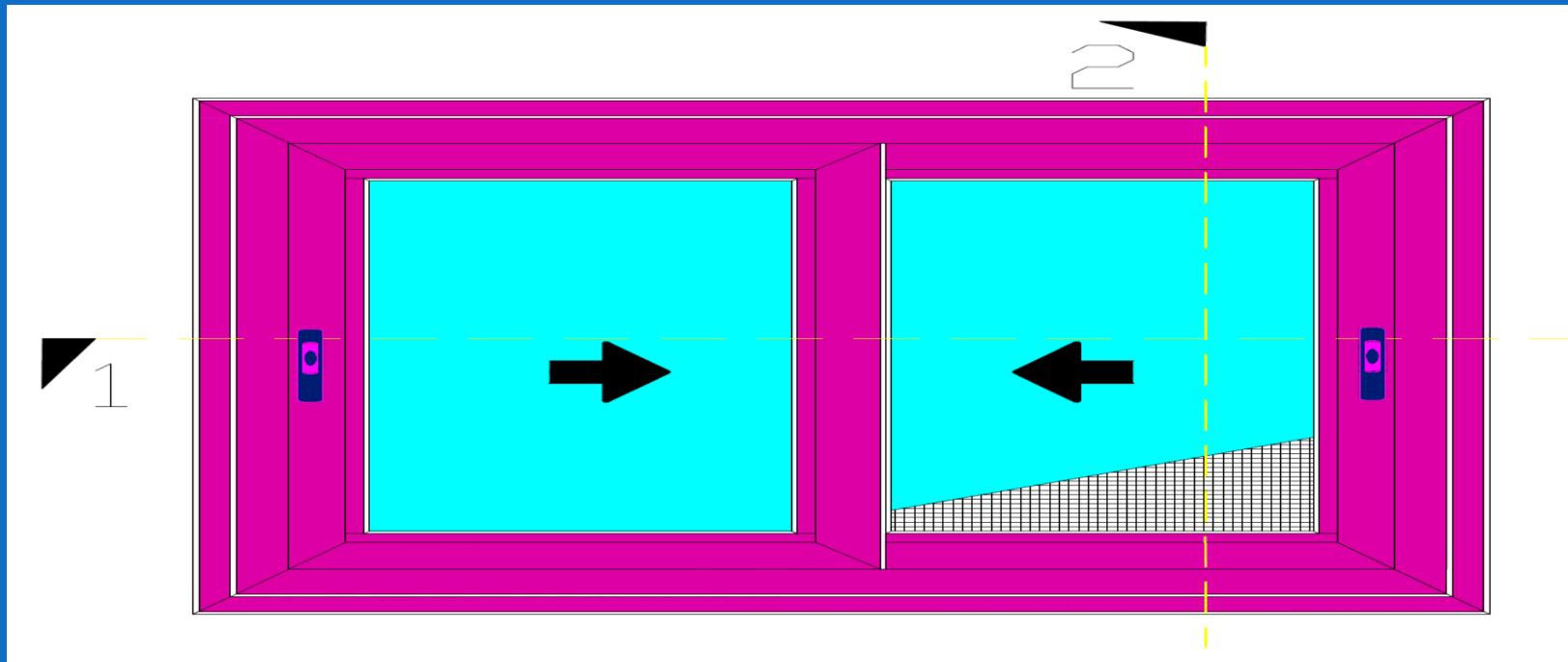
AD-160MM Aluminum Systems

Suspended Glass System



AD-120MM THIC-2.5MM Aluminum Systems

Sliding Window

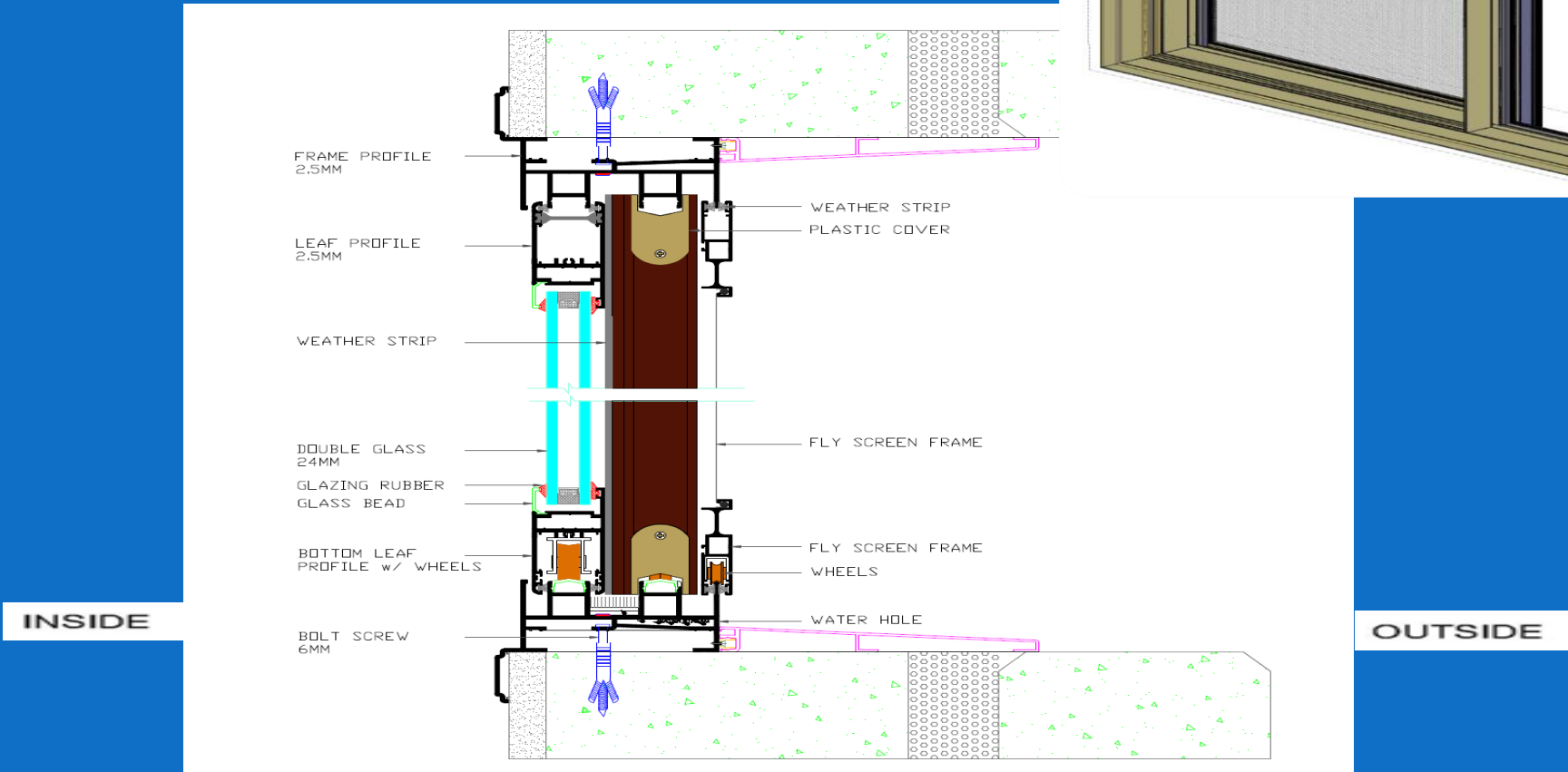
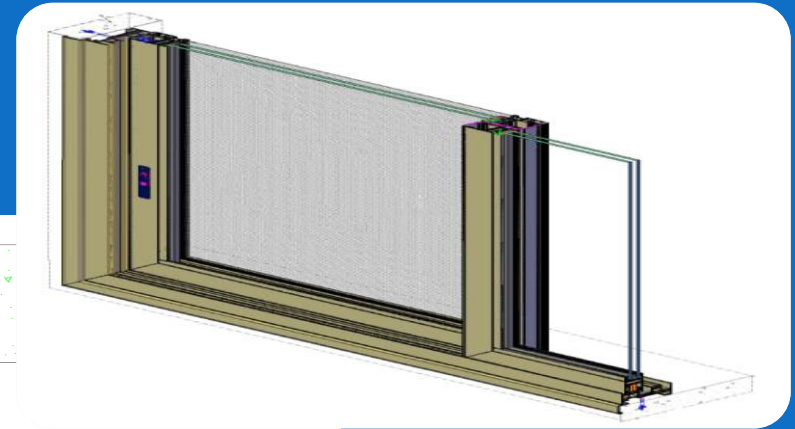


Specifications

| Glass | Lock | Accessories | Sliding Track | Open Style | Profile thickness |
|-----------------|----------|---|---------------|------------|-------------------|
| 6mm-12mmA/S-6mm | Multiple | Anti aging Strip/ window block/ bracket | Single/Double | Sliding | 2.5 mm |

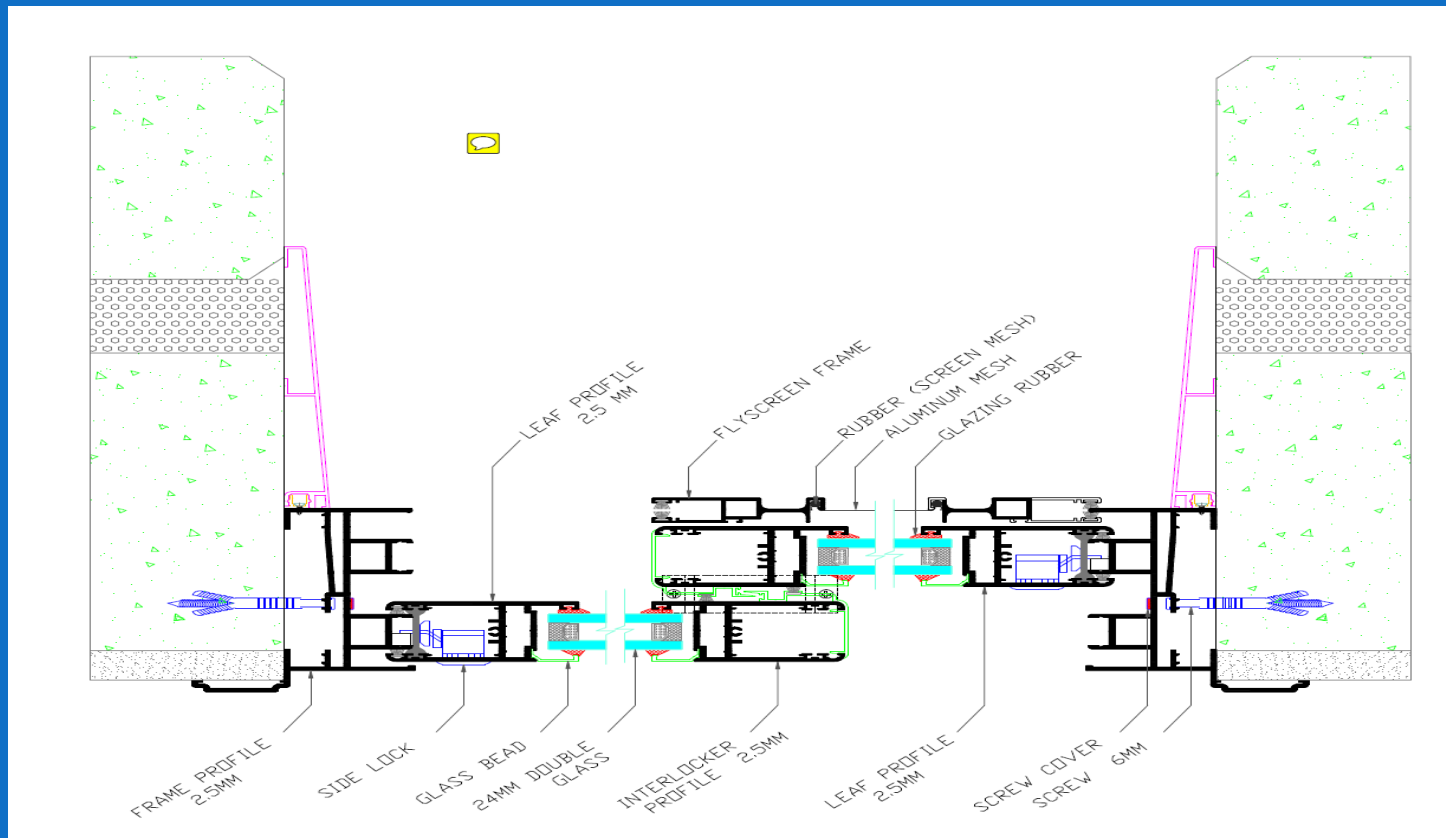
AD-120MM THIC-2.5MM Aluminum Systems

Sliding Window Section (2)



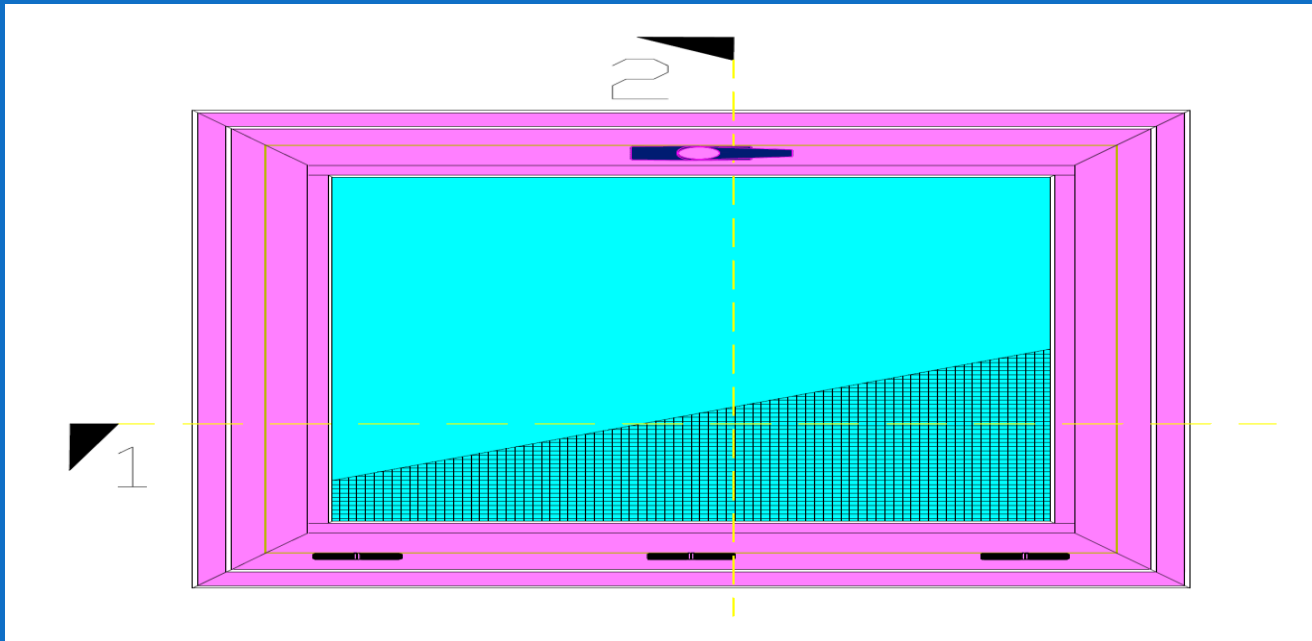
AD-120MM THIC-2.5MM Aluminum Systems

Sliding Window Section (1)



AD-120MM THIC-2.5MM Aluminum Systems

Bottom Hung Window



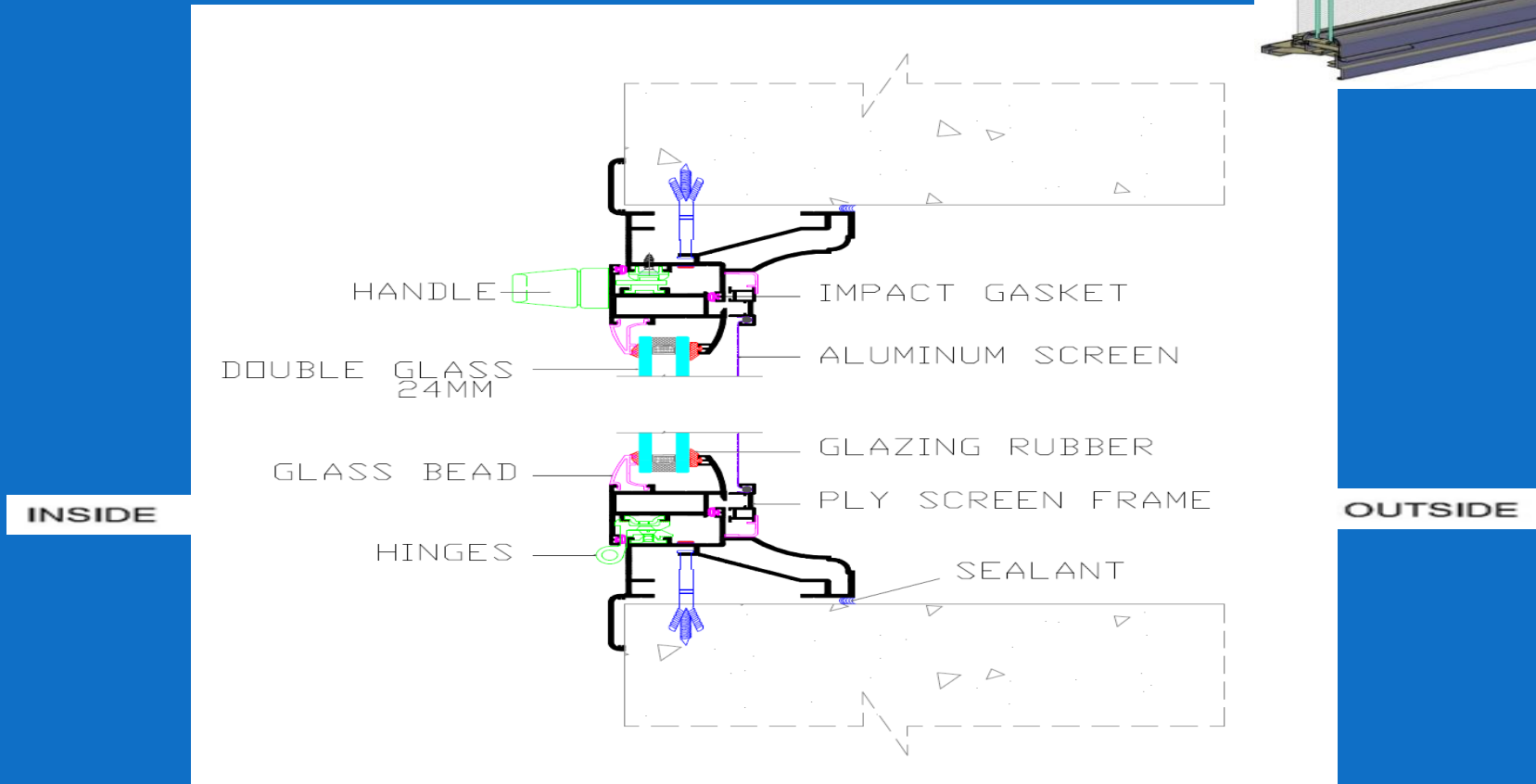
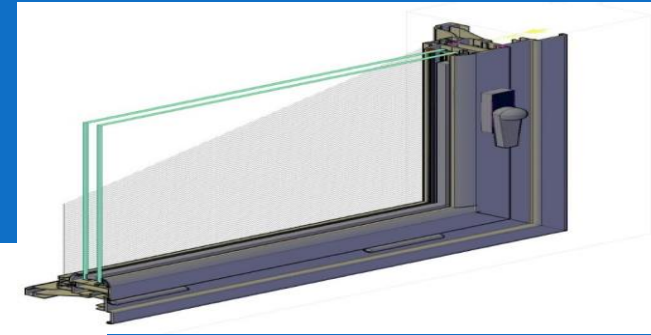
Glass Specification

| Configuration | Visible Light | UV Transmittance | Solar Heat Gain | Shading | Relative Heat Gain |
|---------------|---------------|------------------|-----------------|---------|--------------------|
| 24mm Double | 47.36% | 20.80% | 0.507 | 0.587 | 393 |



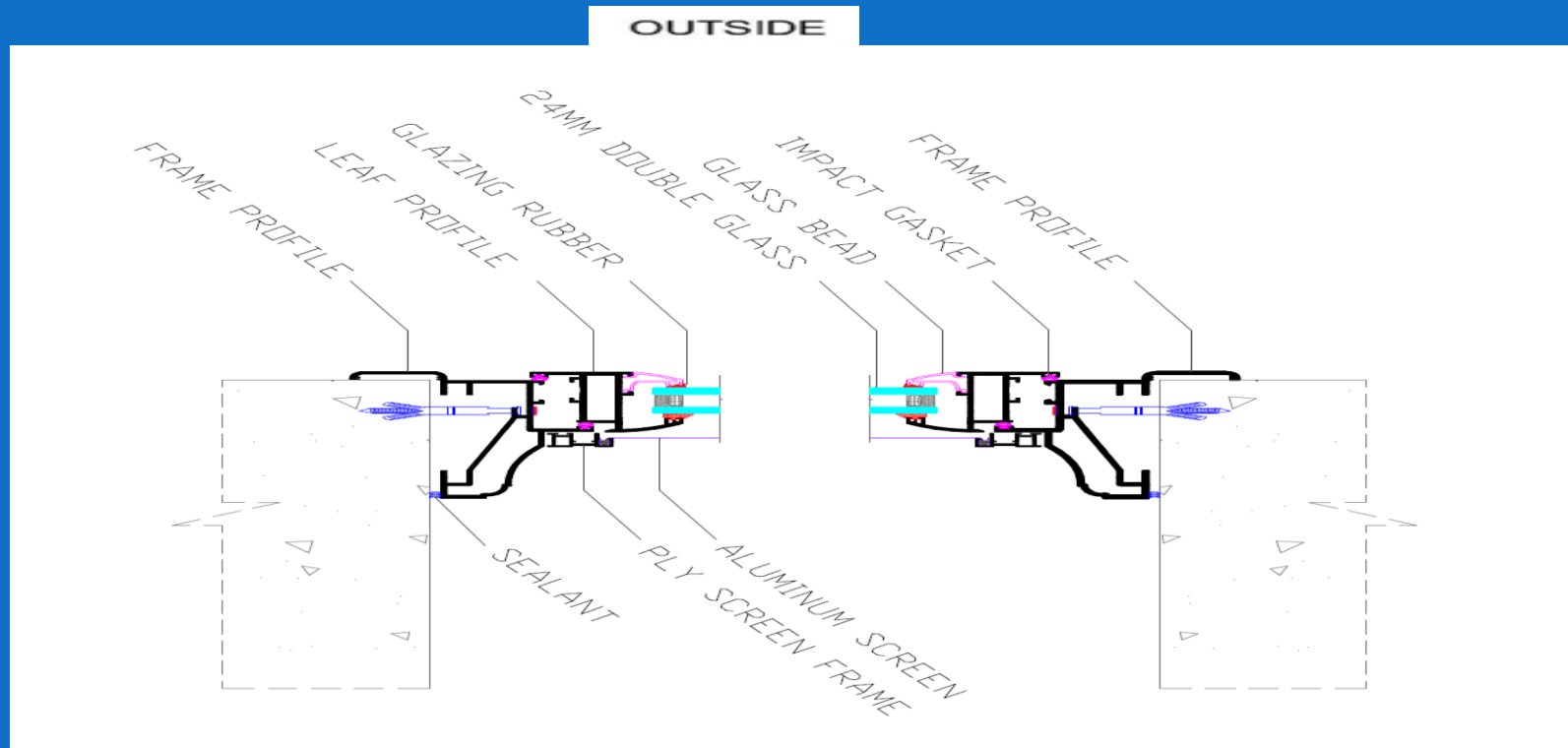
AD-120MM THIC-2.5MM Aluminum Systems

Bottom Hung Section (2)



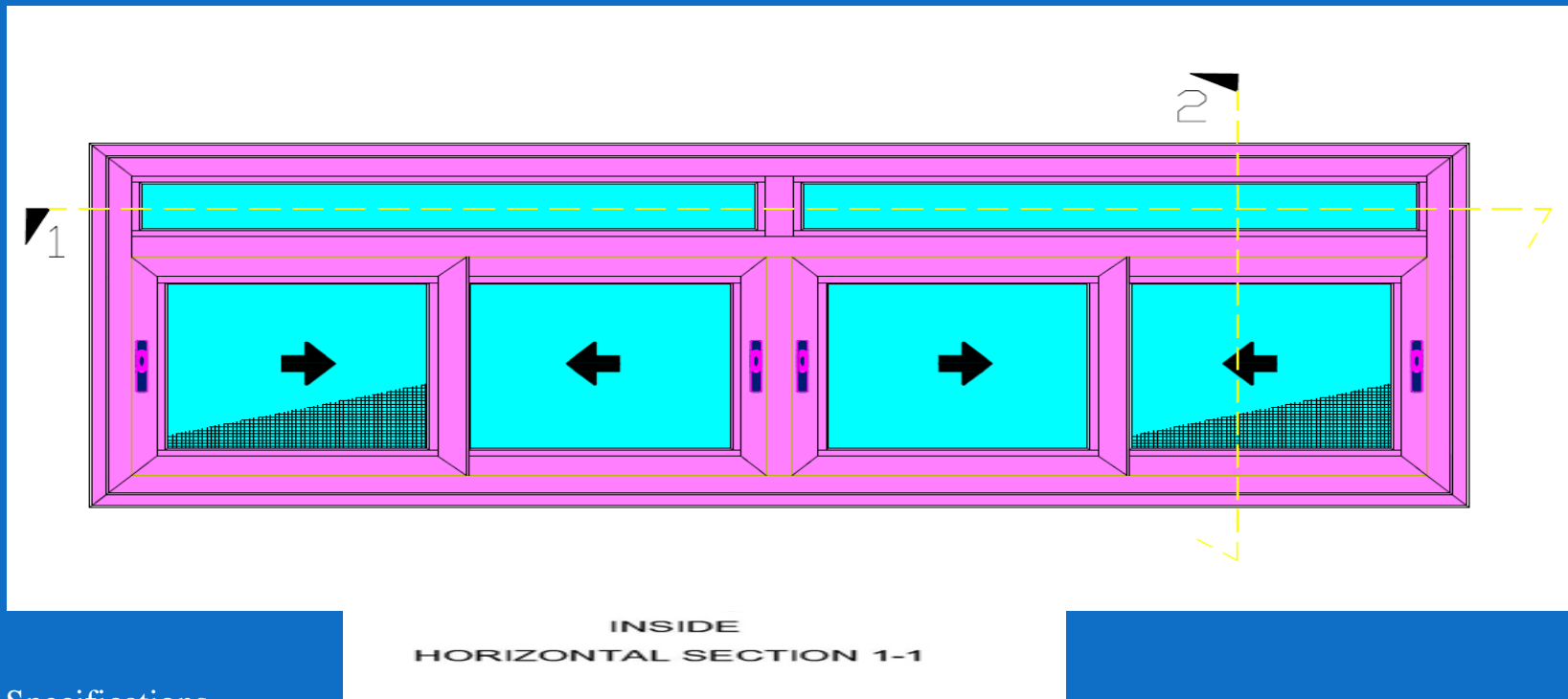
AD-120MM THIC-2.5MM Aluminum Systems

Bottom Hinge Section (1)



AD-120MM THIC-2.5MM Aluminum Systems

Sash Sliding with Fixed

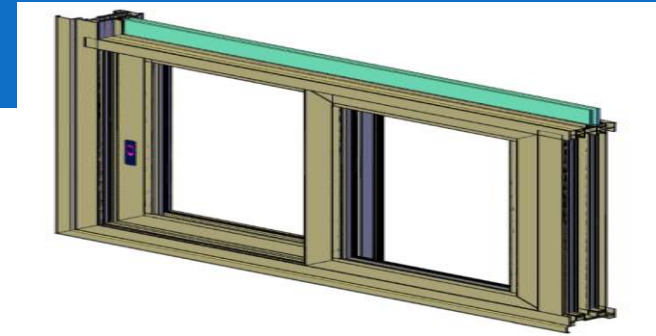
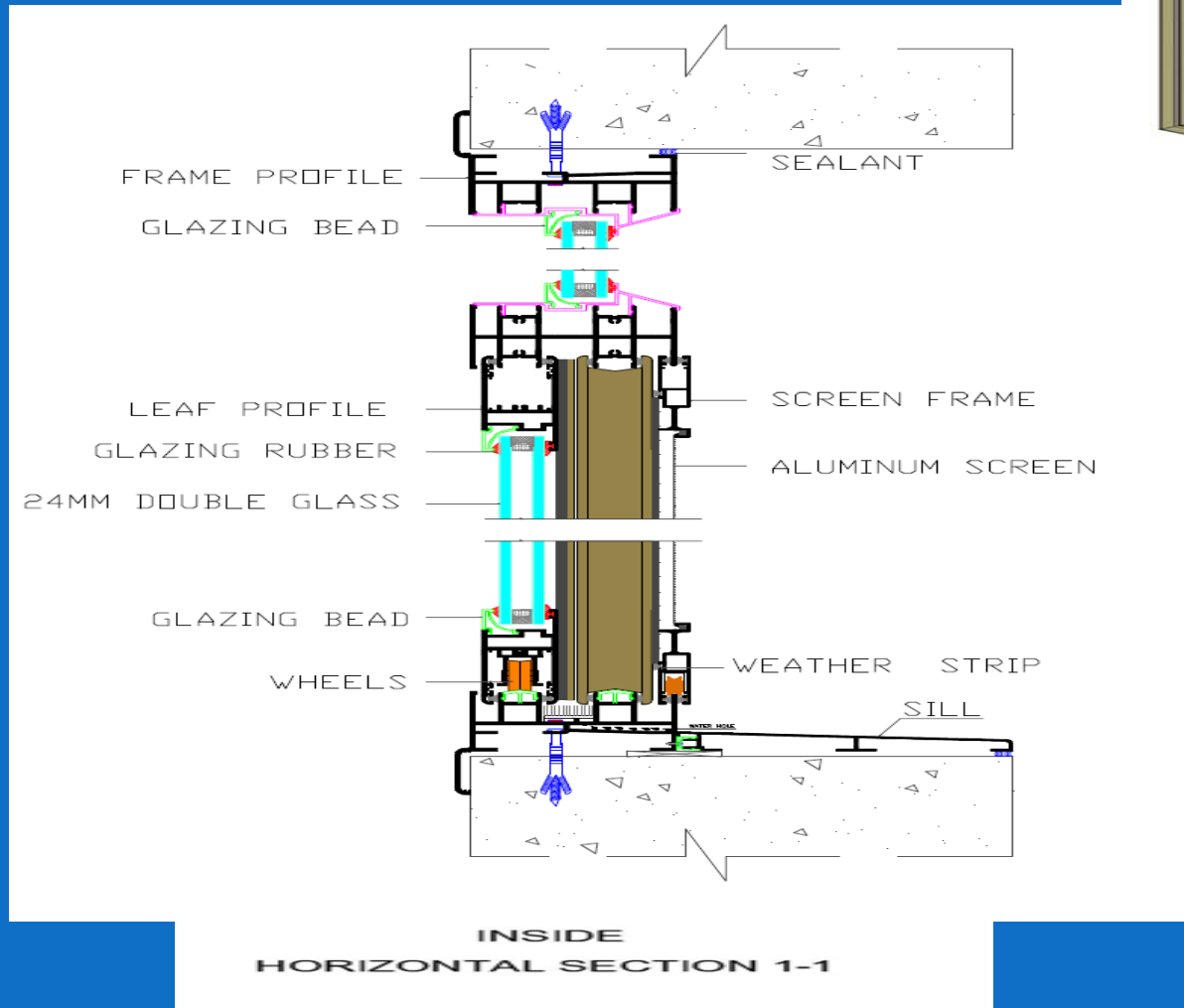


Specifications

| Glass | Lock | Accessories | Sliding Track | Open Style | Profile thickness |
|-----------------|----------|---|---------------|------------|-------------------|
| 6mm-12mmA/S-6mm | Multiple | Anti aging Strip/ window block/ bracket | Single/Double | Sliding | 2.5 mm |

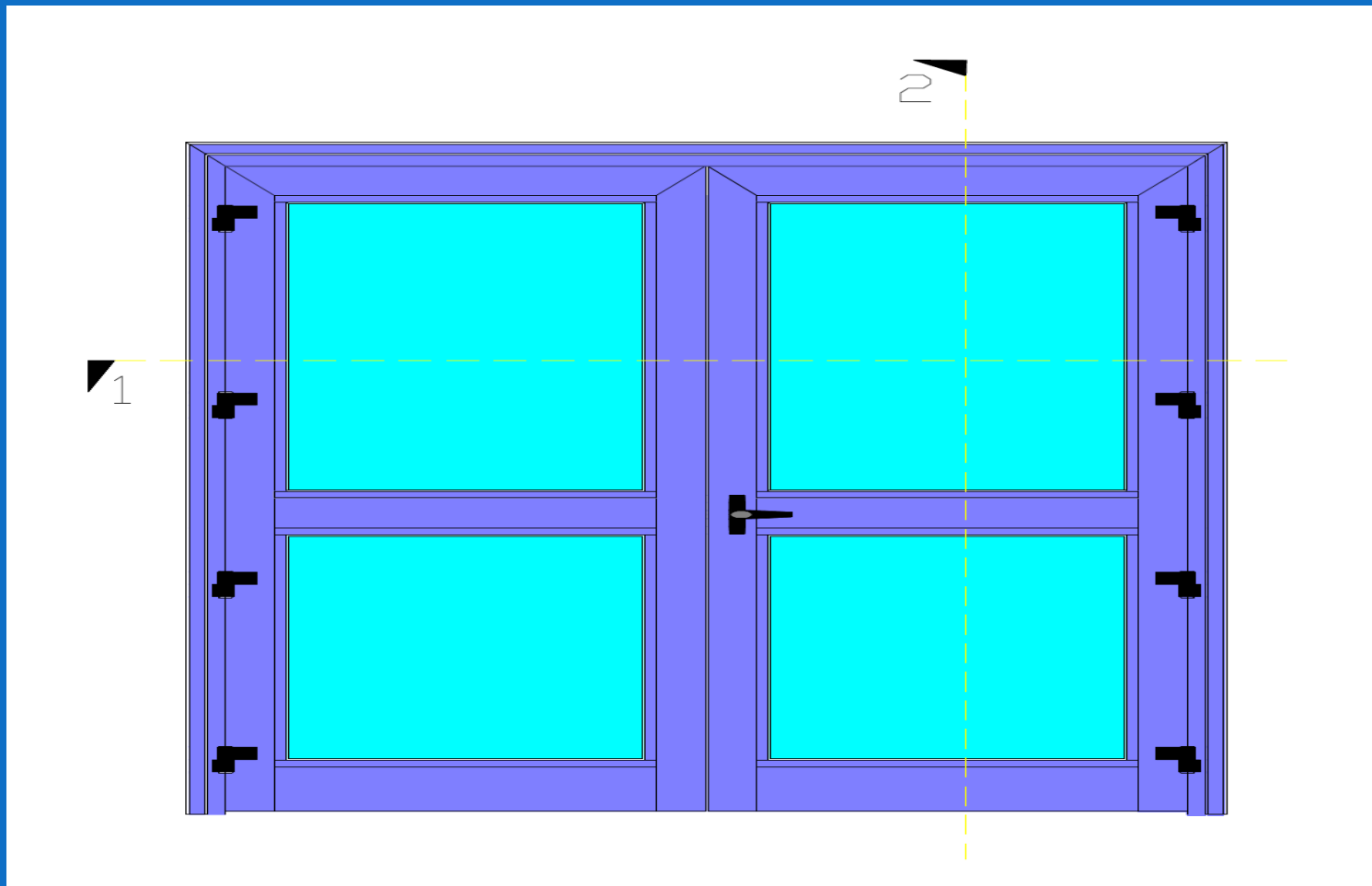
AD-120MM THIC-2.5MM Aluminum Systems

Sliding with Fixed -Section 2



AD-120MM THIC-2.5MM Aluminum Systems

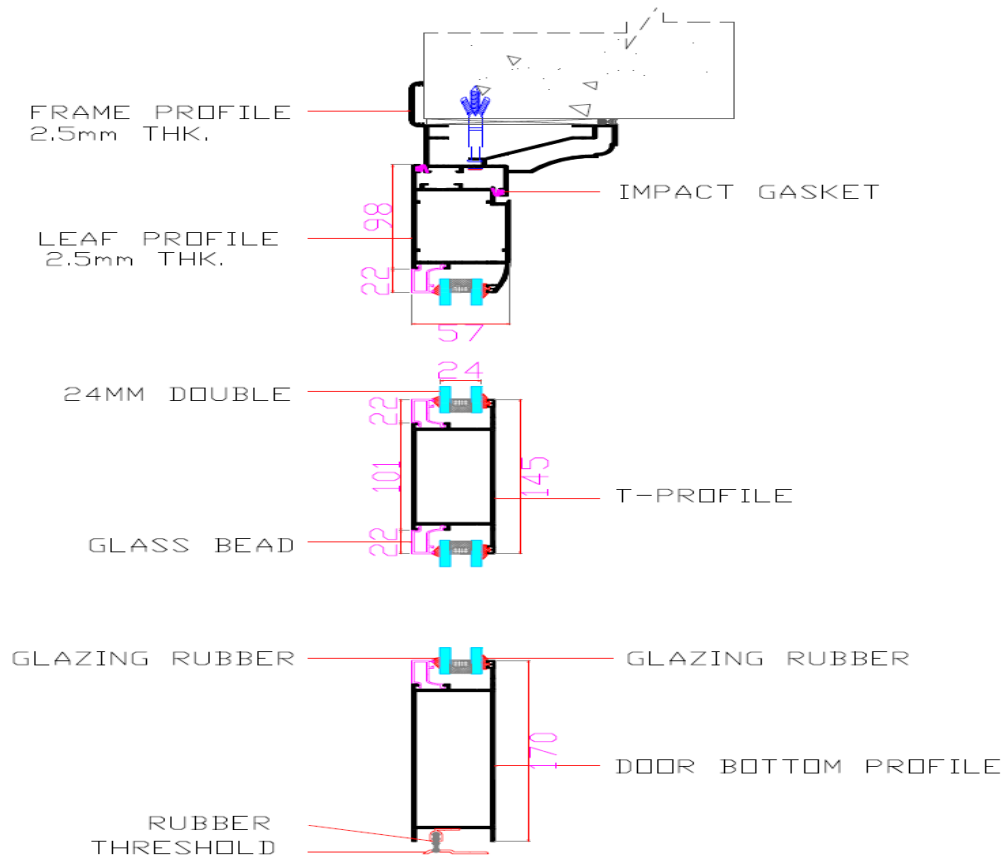
Double Leaf Door



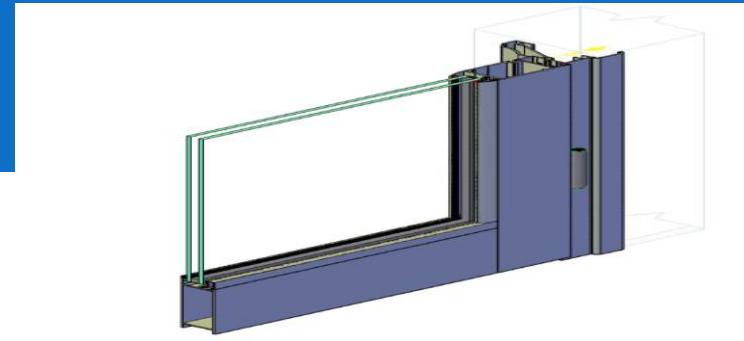
AD-120MM THIC-2.5MM Aluminum Systems

Door Section 2

INSIDE

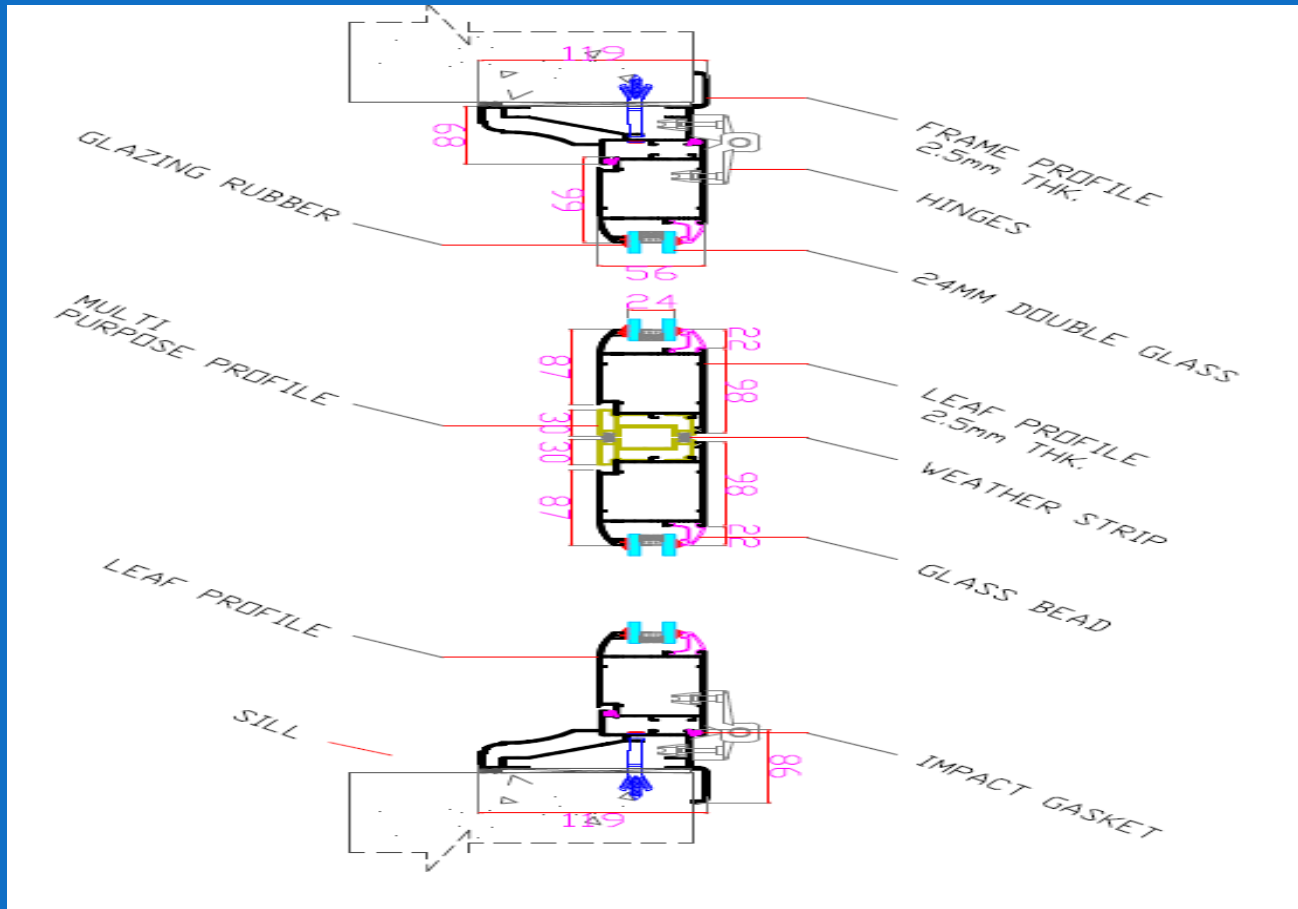


OUTSIDE



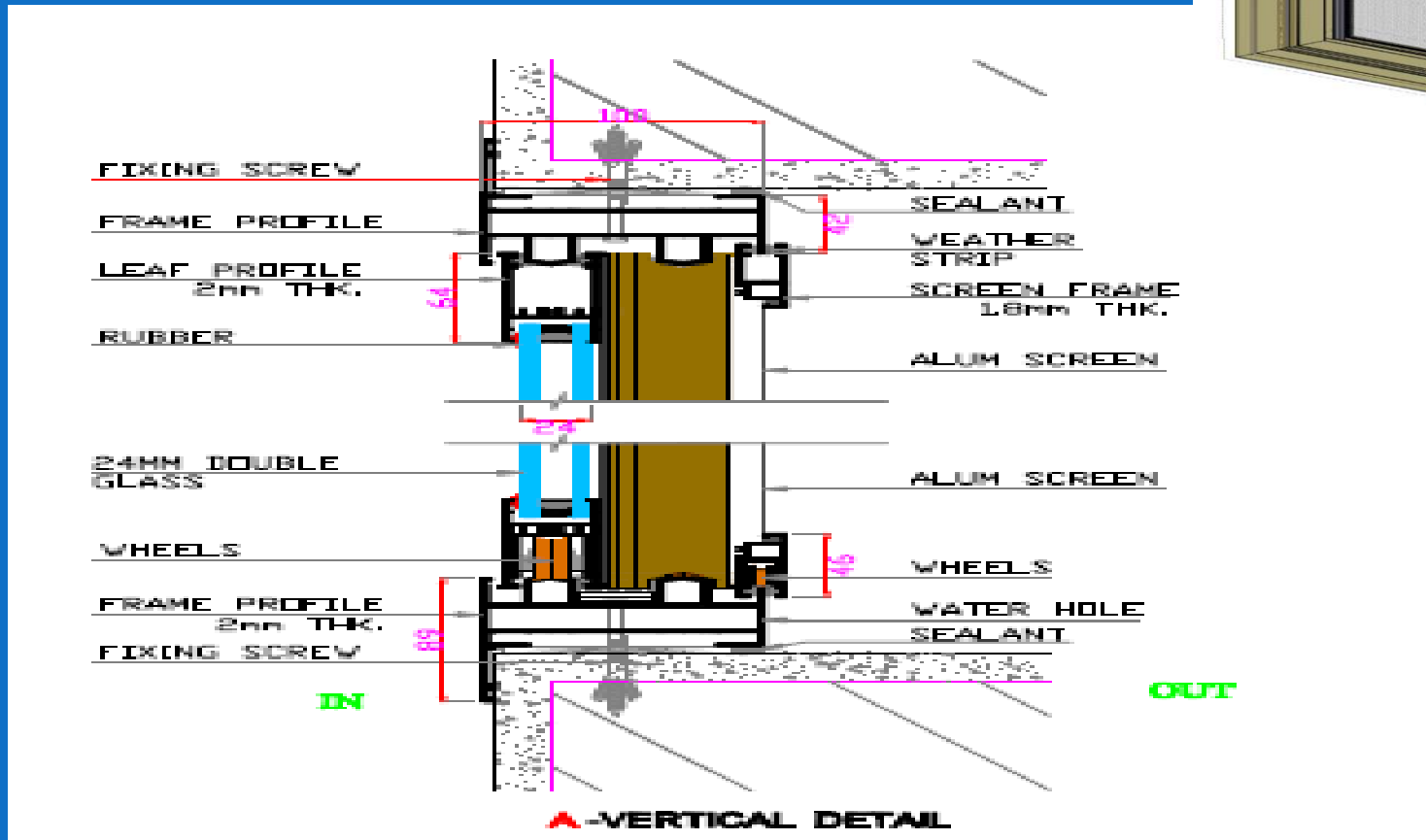
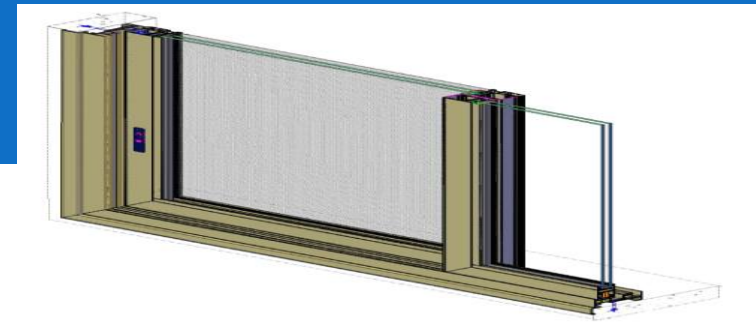
AD-120MM THIC-2.5MM Aluminum Systems

Door Section 1



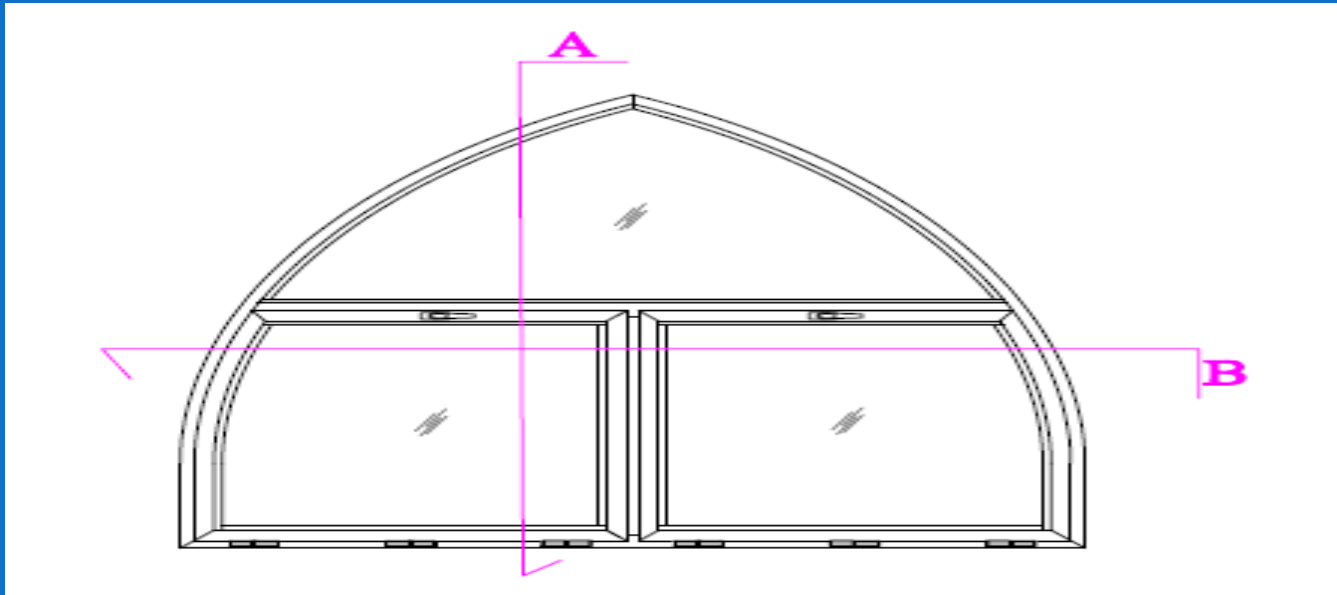
100MM-2MM THIC Aluminum Systems

Sliding Window



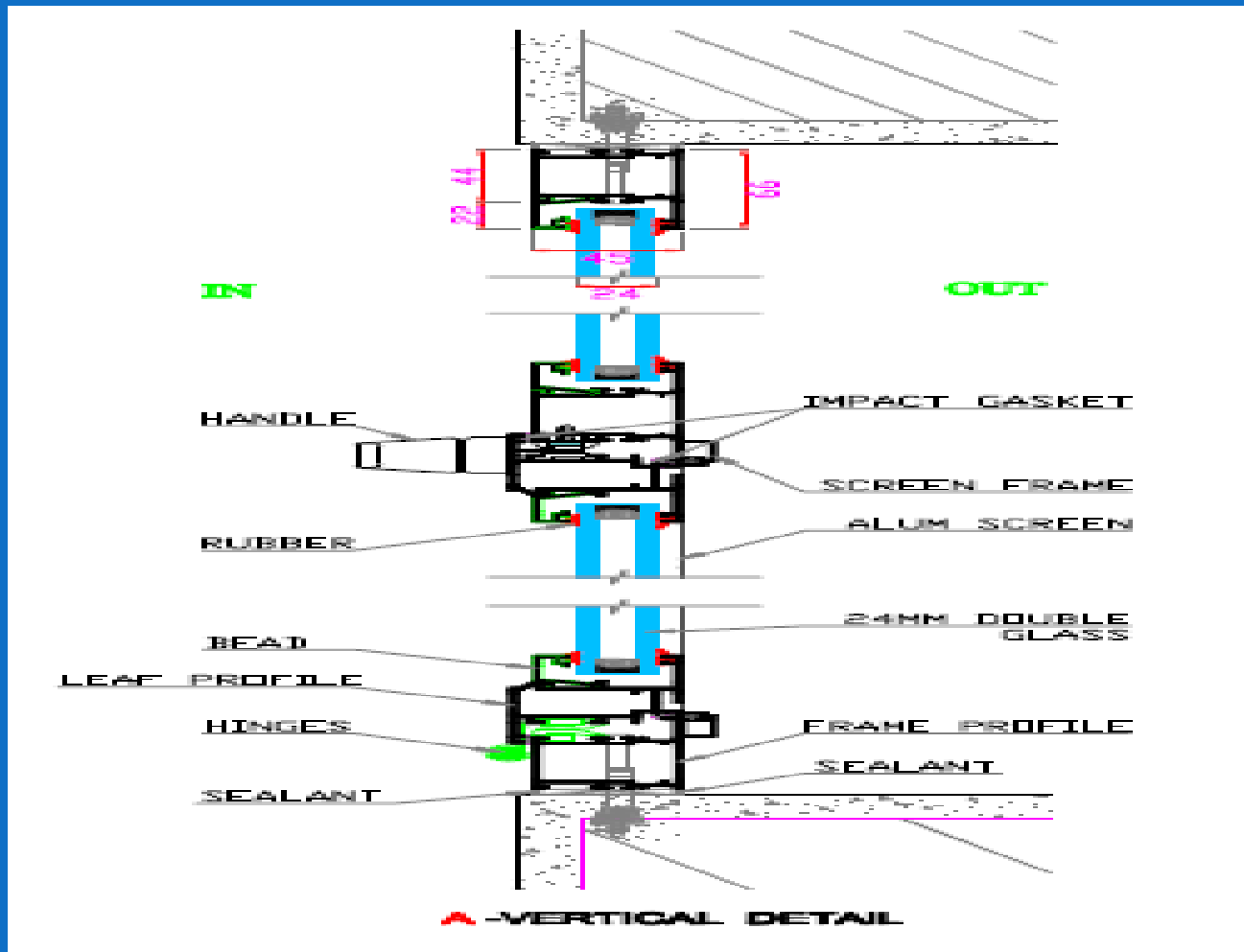
100MM-2MM THIC Aluminum Systems

Arc Window



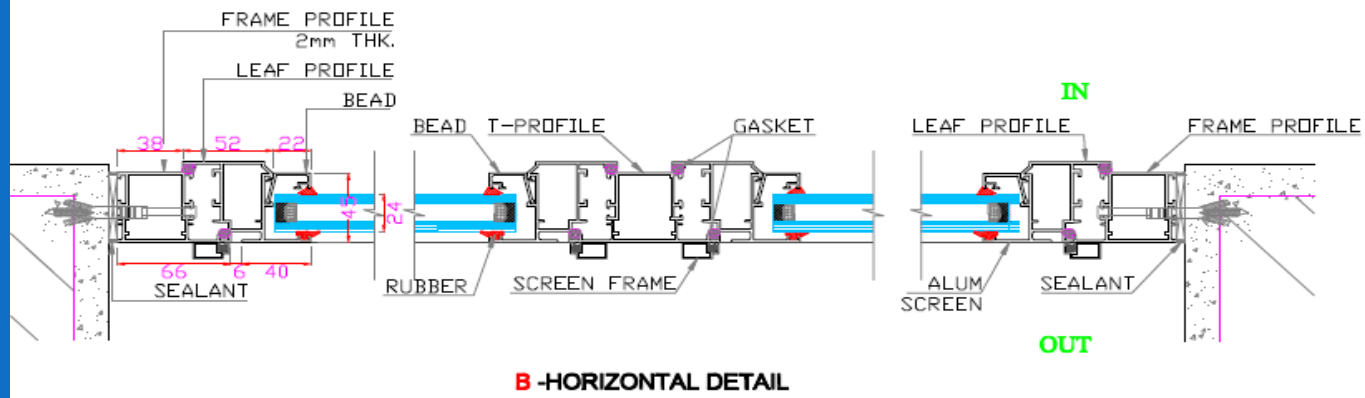
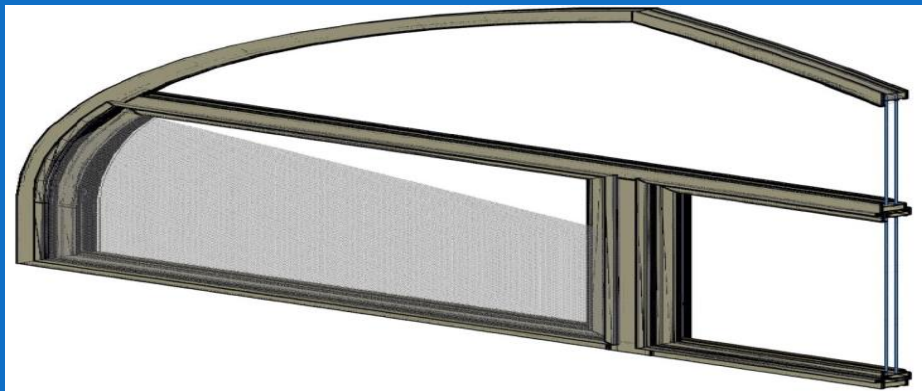
100MM-2MM THIC Aluminum Systems

Section A

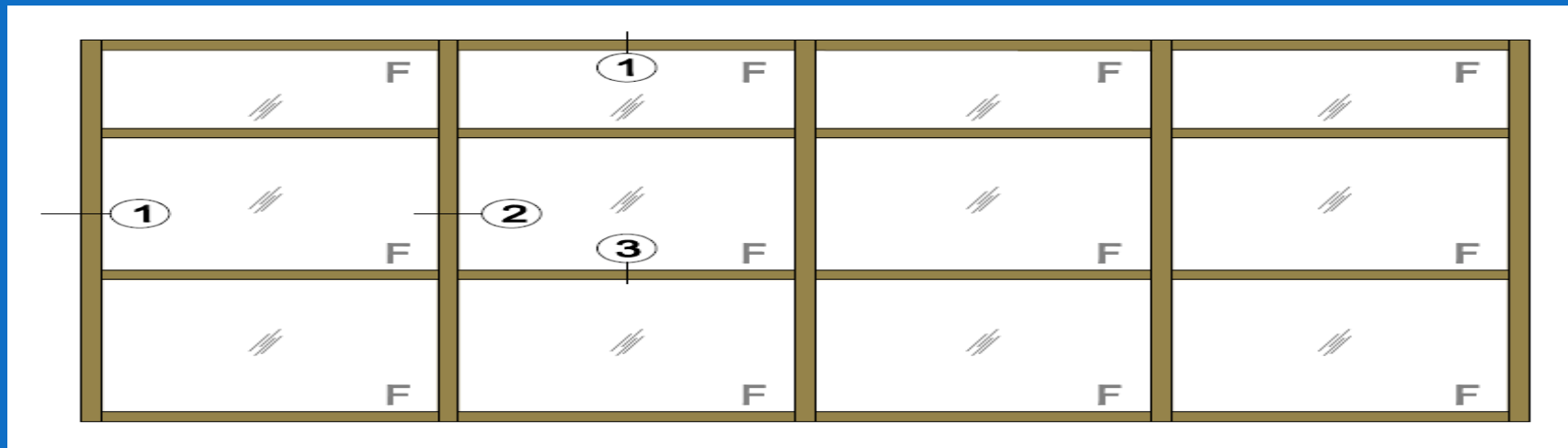


100MM-2MM THIC Aluminum Systems

Section B



SG50-CURTAIN WALL Aluminum Systems

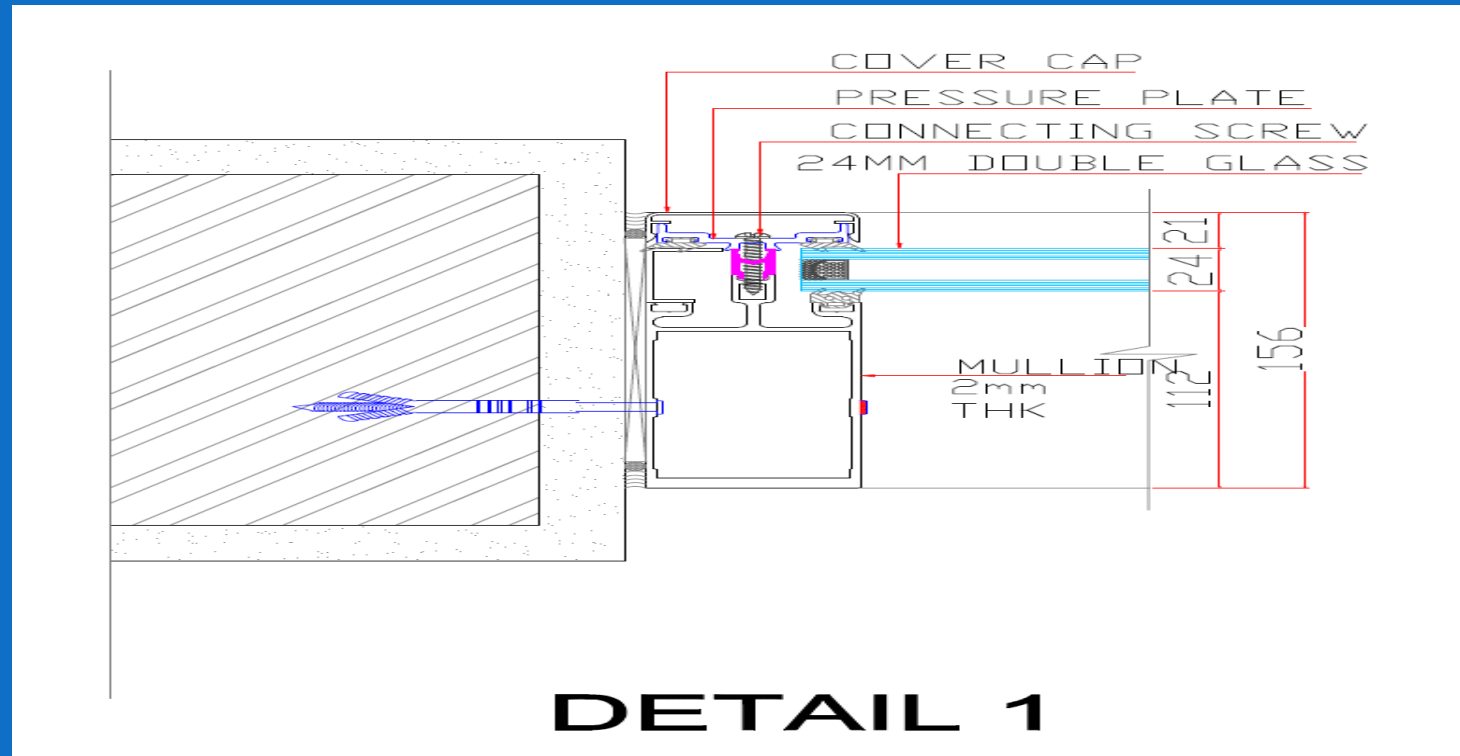


Profiles

| Aluminum Alloy | Structure | Opening Elements | | | Profile thickness |
|----------------|-------------------------------|-------------------------|-------------------------|-------------------------------------|-------------------|
| EN AW-6060 | K733 Mullion/ K734 Transom | K794 Top Hung sash jamb | K791 Top Hung vent wing | K621 Top Hung vent sash command rod | 2.5 mm |

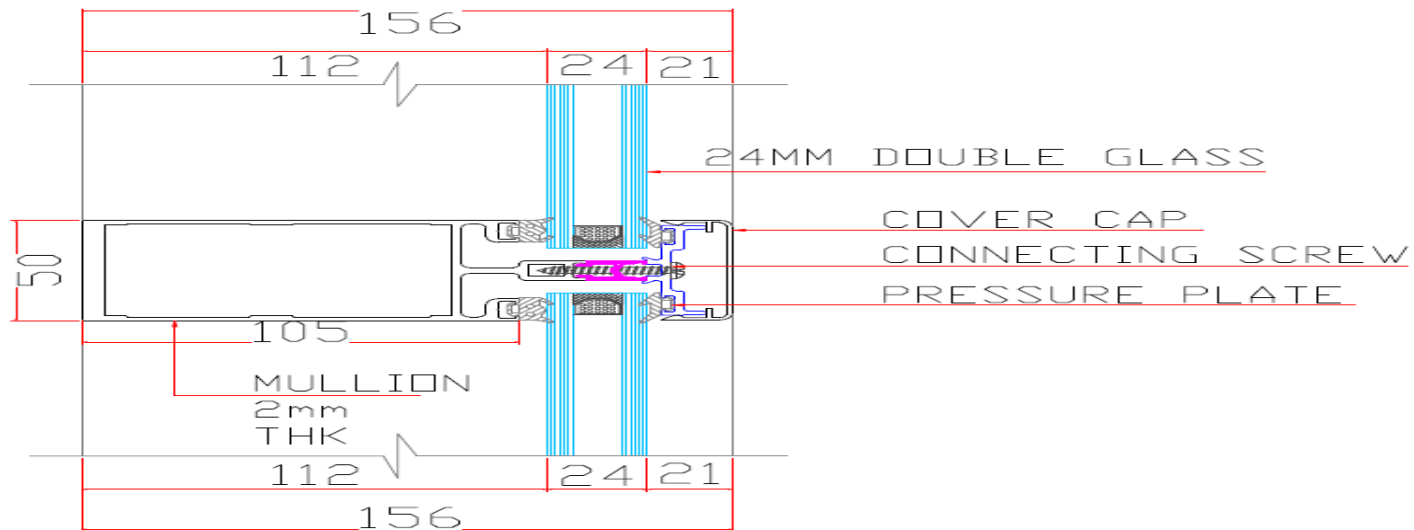
SG50-CURTAIN WALL Aluminum Systems

Detail 1



SG50-CURTAIN WALL Aluminum Systems

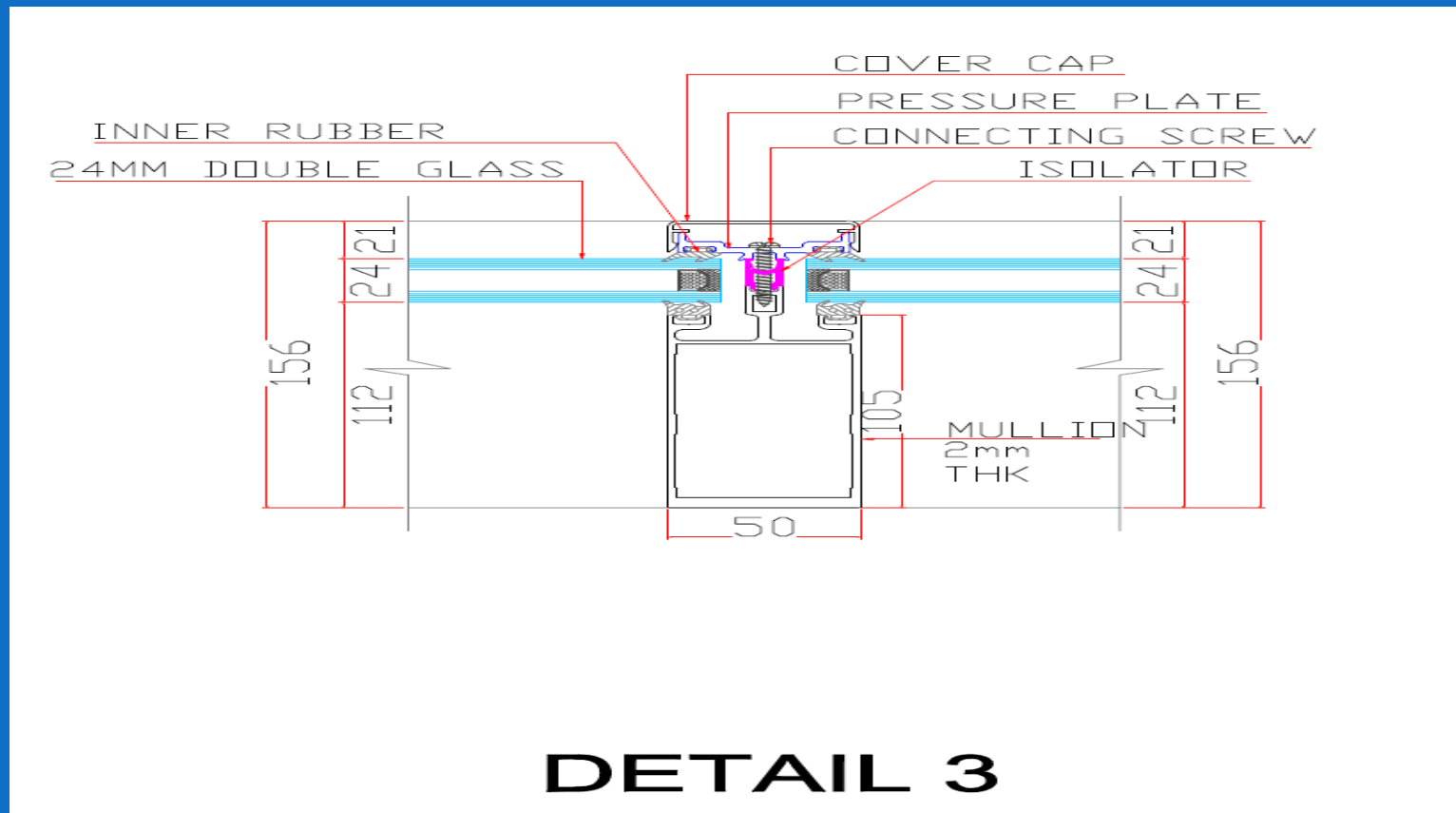
Detail 2



DETAIL 2

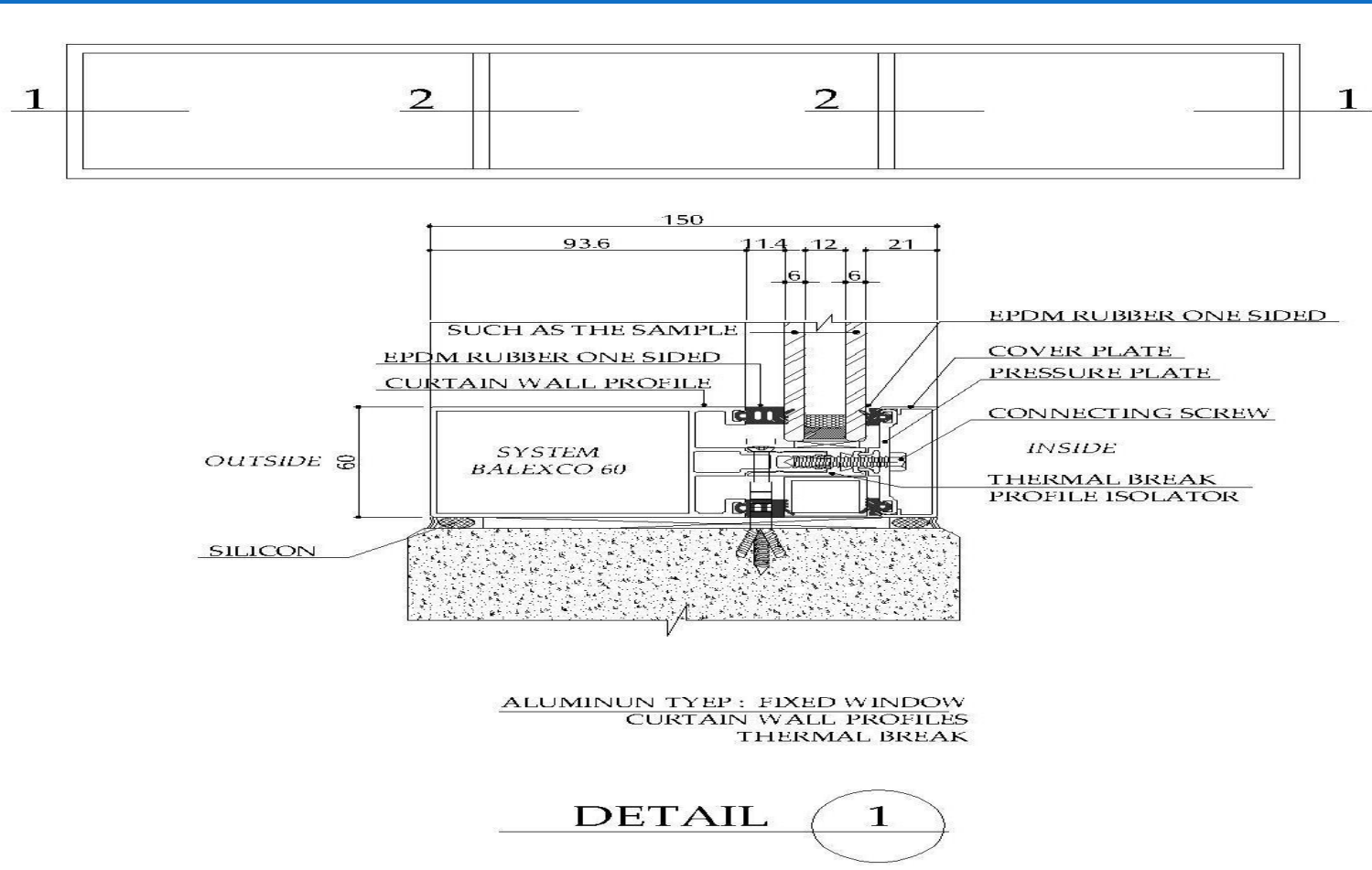
SG50-CURTAIN WALL Aluminum Systems

Detail 3



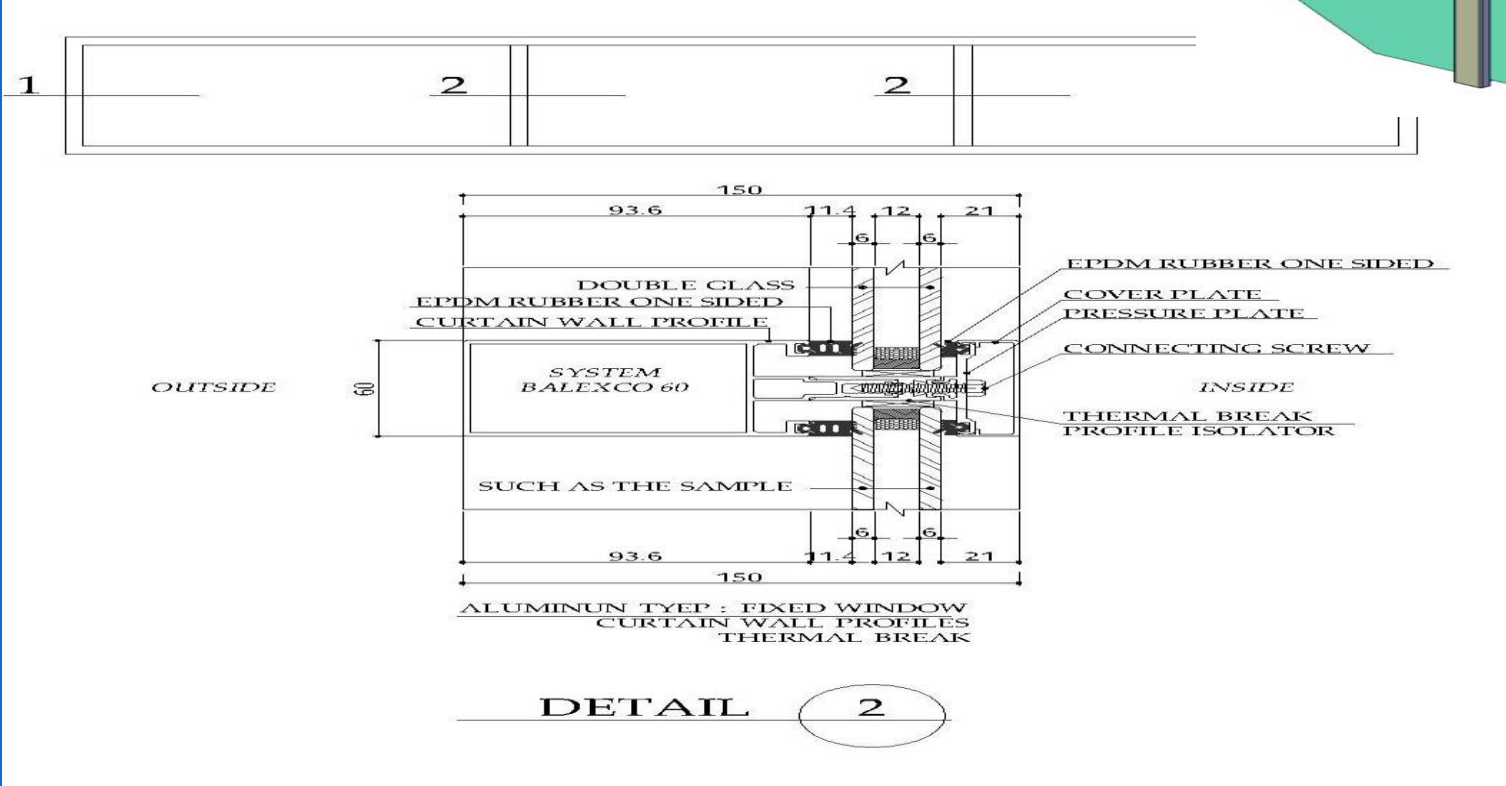
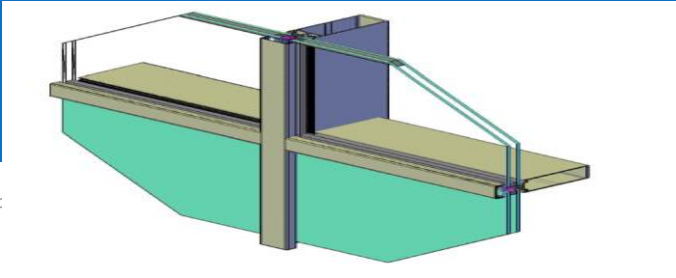
BALEXCO Aluminum Systems

Balexco 60 System



BALEXCO Aluminum Systems

Balexco 60 System



PREQUALIFICATION STATEMENT

Company Name : FUTURE ALUMINUM

Factory Address : P.O. Box 3936, Riyadh 11481

Country : Kingdom of Saudi Arabia

Telephone : +966 11 4790900

Fax : +966 11 4765284

Email : info@assadsaid.com

Website : www.assadsaid.com

Contact Person : Eng. Ahmad Dabak
+966 505253723
Factory Manager

Commercial
Registration no. :1010271560

