

SMALL DIAMETER LOCK BOLTS

LOCKBOLT^{ERS}

HIGH PERFORMANCE FASTENING SYSTEMS

LOCKBOLT^{ERS}
HIGH PERFORMANCE FASTENING SYSTEMS

📍 UNIT 4B SOVEREIGN PARK LATHKILL STREET MARKET HARBOROUGH LE16 9EG UK
☎ +44 (0) 1858 469191
✉ SALES@LOCKBOLT-ERS.CO.UK
🌐 WWW.LOCKBOLT-ERS.CO.UK



SMALL DIAMETER LOCK BOLTS



Small Diameter Lock Bolts

The small diameter Lockbolt pin and collar is a two piece fastening system. Lockbolts offer a high strength, vibration proof installation and high shear and clamp loads.

Lockbolts are quick and easy to install, tamper proof, and offering a wide range of diameters and lengths make them the ideal choice for engineering applications and general fabrications.

Lock Bolt Specifications

Standard Sizes: Ø 4.8mm (3/16") 6.4mm (1/4") 8.0mm (5/16") 9.6mm (3/8")

Standard Head Styles: Brazier head, Truss Head, CSK

Material / Finish: Steel, Aluminium, Stainless Steel

Optional Finish: Industry standard finishes available.

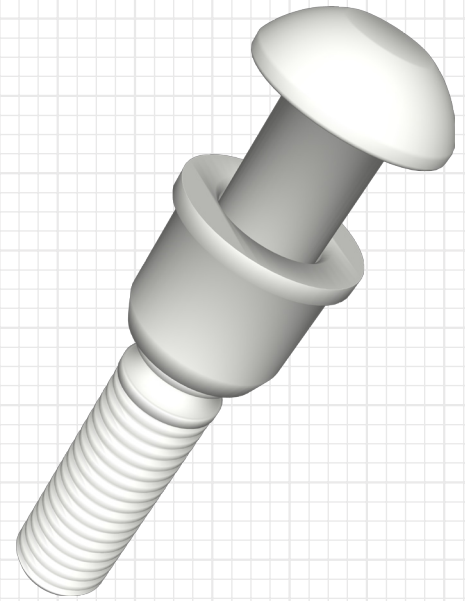
Optional Very High Tensile Strength: 10.9 grade

Special Applications: Custom made bolts and head styles can be developed for customers with specific applications. Typically used where the outer head of the lock bolts can perform additional functions designed into the manufacture.

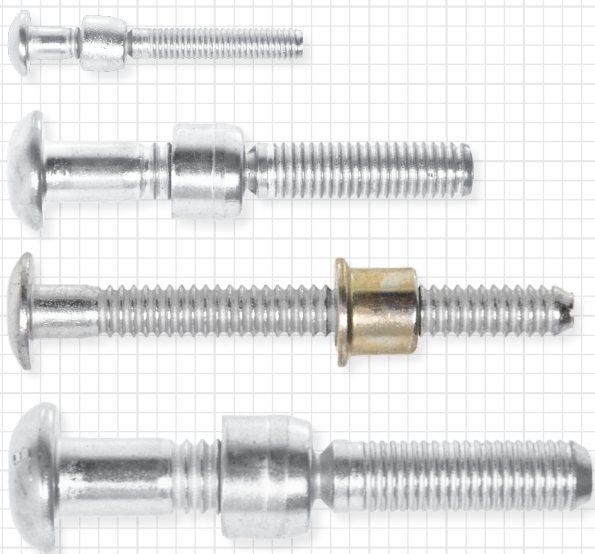
Once the collar has been swaged onto the Lockbolt a permanent vibration proof joint is achieved.

The pre-load values remain consistent on every installation.

Full technical data available upon request.



LOCKBOLT WITH FLANGED COLLAR



SECTION CUTAWAY SHOWING LOCKBOLT INSTALLED, GRIPPING 2 SHEETS OF MATERIAL

