

Swegon Home Solutions

Swegon residential accessories





A full range of high quality accessories

Isn't it convenient to have one speaking partner when you want things done in your home. Regardless if you are planning to refurbish your kitchen, or build a new garage for your car. You want to have one point of contact that can solve your problem. That is anyway how we see it in Swegon, therefore we provide all needed accessories when your investing in your new high class indoor climate system.

SELECT YOUR VENTILATION SYSTEM

We will of course help you select the best fitted ventilation unit for your purpose. Including all needed accessories to be able to make a proper installation.

SUPPLY AND EXTRACT AIR DIFFUSERS

If your building a new house, it is easier to design where you want your duct system to be installed, but if you plan to install your new system in an existing house it can be a little bit tricky. Therefore we have diffusers that can be mounted both in the ceiling and in the wall, whatever fits you best. All diffusers are made in metal, and powder coat painted to give you the best finish and performance.

An important feature for all our supply diffusers is that they are silent, and creates good mixing of the indoor air, without creating draft, they are also very easy to wipe clean when needed.

SILENCERS

You will instantly feel that your new installed ventilation system will provide you with excellent indoor climate. To prevent noise from the unit reaching into your living area it is important to use silencers to remove any sound from the fans.

CONDENSATION INSULATION

Our units has very efficient heat exchangers. That means that both the incoming fresh air duct and the waste air duct needs to be insulated not to create condensation in the winter period . For this we have a high quality, and easy to mount insulation kit.

DUCT COVER SYSTEM

As said, when you build a new house you have more possibility to "hide" your ducts in walls and floor structure. But if you need to install the ducts visible we have a very easy to mount duct cover system, both for single and double ducts depending on your need.

INTAKE AND OUTLET HOODS & GRILLES

The normal solution is to take in the fresh air from a grille or a hood in the wall, and let the waste air out from a hood on the roof. That is however not always possible, but our selection of hoods and grilles can be used both for intake of fresh air, or outlet of waste air.



DOMO Supply air diffuser

DOMO air diffuser fits both wall or ceiling mounting and combines functionality with modern design. The bottom section is made in light magnesium and the diffuser face is made of plastic.

ACCESSORIES

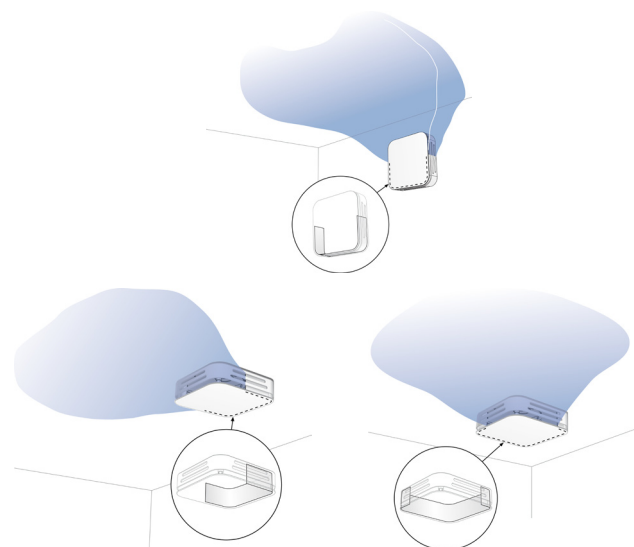
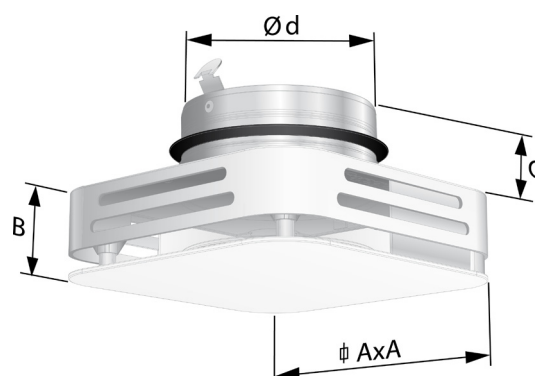
DOMO can be fitted with a decorative fabric cover for simple variation of its appearance.

QUICK FACTS

Modern design
 Commissioning and flow measurement
 5-20 l/s at sound level <30 dB(A)
 One version for ceiling or wall mounting
 Eco-friendly materials
 Color: RAL 9003/NCS S 0500-N

PRODUCT DESCRIPTION

Square wall or ceiling diffuser DOMO 100
 Fabric cover DOMO TYGHÄTTA
 R=red, G=green, B=brown, B=black



DOMO 100	
Airflow (l/s)	7 - 20
Airflow (m³/h)	25-73
Sound level @ 30 Pa (dB(A))	22 - 29 dB(A)
Throw length (l0,2)	1,0 - 4,8 m
Size (mm)	
A	160
B	44
C	44
Ød (mm)	99
Weight (kg)	0,4



SDW Supply air diffuser

Function and design is combined in this Swegon wall mounted supply diffuser SDW.

The diffuser is made of galvanized steel and consists of a backing box with removable front plate and three removable magnetic strips. The unit is internally and externally coat painted in white standard colour RAL 9003/NCS S 0500-N but is also available in other standard colours.

QUICK FACTS

Easy commissioning by selecting the required number of magnetic strips.

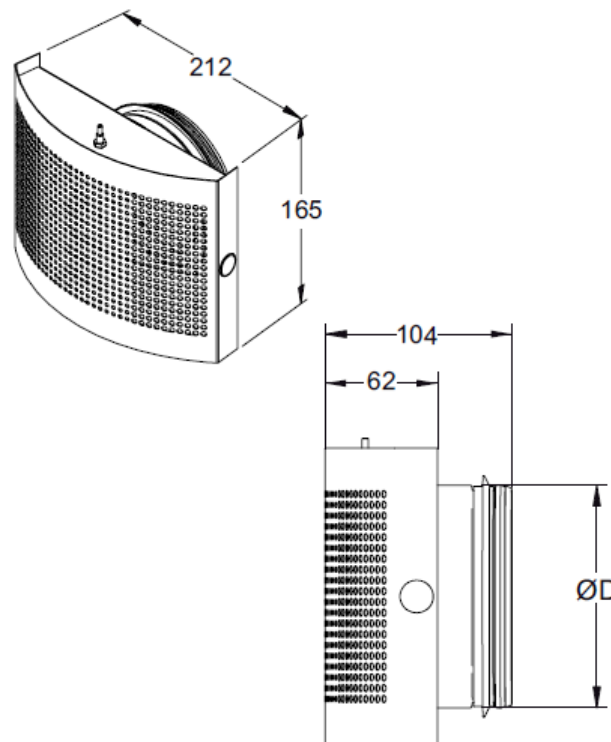
Flow measurement via a K-factor and pressure measurement nipple on top of the unit.

Alternative standard colours:

RAL 7037, RAL 9006, RAL 9005, RAL 9007, RAL 9010

PRODUCT DESCRIPTION

Rectangular wall diffuser SDWa-100



	SDW 080	SDW 100	SDW 125
Airflow (l/s)	15-20	17-28	22-35
Airflow (m³/h)	54-72	61-101	79-126
Sound level @ 30 Pa (dB(A))	28-30	26-29	23-26
Throw length (l _{0,2})	1,3-3,5	1,5-3,7	2,0-4,5
Size (mm)			
B	212	212	212
H	165	165	165
Ø D	79	99	124
Weight (kg)	0,7	0,7	0,7



SDK Supply air diffuser

SDK is a supply air diffuser that is designed for small areas and small air flows. SDK is available both as 1-way air spread and 3-way.

The diffuser is made in powder coated steel sheet. The mounting frame is equipped with rubber seal to give a tight connection to the duct system.

QUICK FACTS

Distance from ceiling prevents “dirt rings”

Commissioning and flow measurement

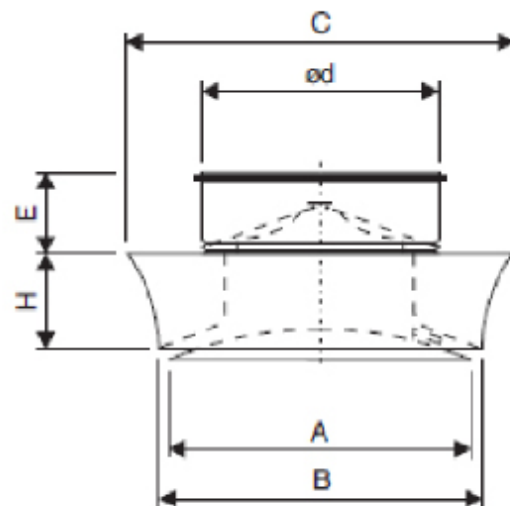
Easy to mount with feather springs

Color: RAL 9003/NCS S 0500-N

PRODUCT DESCRIPTION

Circular ceiling diffuser SDK 100-1v

Mounting frame SDKT 100



	SDK 100-1v	SDK 100-3v	SDK 125-1v	SDK 125-3v
Airflow (l/s)	12-25	13-35	12-25	13-35
Airflow (m ³ /h)	43-90	47-126	43-90	47-126
Sound level @ 30 Pa (dB(A))	20-23	20-23	20-23	20-23
Throw length (l _{0,2})	2-3,3	1,8-2,5	2-3,3	1,8-2,5
Size (mm)				
A	150	150	150	150
B	160	160	160	160
C	188	188	188	188
E	45	45	54	54
H	47	47	47	47
Ød (mm)	98	98	123	123
Weight (kg)	0,6	0,6	0,6	0,6



EXC Extract air valve

EXC is used in kitchen, bathroom or other rooms where you want to remove wairst air. The cone is adjustable for easy commissioning of the airflows, and can be locked in position afterwards. The diffuser is made of steel sheet, and the mounting frame is made of galvanized sheet steel.

ACCESSORIES

Mounting frame EXCT 2, rubber sealed insert fit

Mounting frame EXCT 3, fit-on

QUICK FACTS

Easy installation, bayonet fitting

Large throttle range

High attenuation

PRODUCT DESCRIPTION

Extract air valve

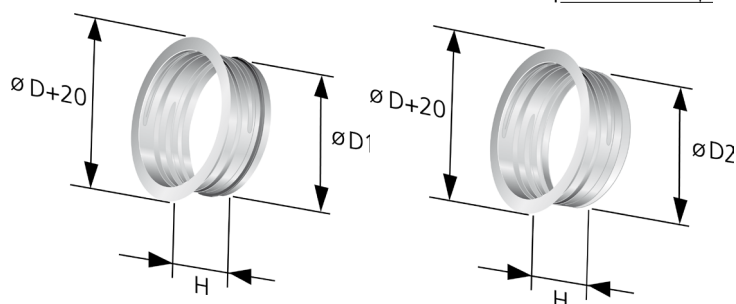
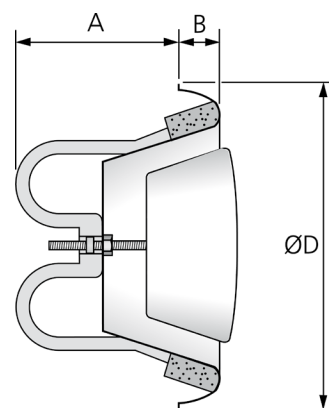
Mounting frame, insert

Mounting frame, fit-on

EXC 100

EXCT2 100

EXCT3 100



	EXC 100	EXC 125	EXC 160	EXC 200
Airflow (l/s)	5-20	10-30	15-45	15-60
Airflow (m ³ /h)	18-72	36-108	54-162	54-216
Sound level @ 50 Pa (dB(A))	< 20-26	< 20-23	< 20-21	< 20-24
Size (mm)				
A	70	85	85	108
B	16	16	16	16
H/H1	50/55	50/55	50/55	50/55
ØD (mm)	142	173	205	252
ØD1 (mm)	99	124	159	199
ØD2 (mm)	101	126	161	201
Weight (kg)	0,4	0,5	0,7	0,5



EXK Extract air valve

EXK is used in kitchen, bathroom or other rooms where you want to remove waist air. The cone is adjustable for easy commissioning of the airflows, and can be locked in position afterwards. The diffuser is made of steel sheet, and the mounting frame is made of galvanized sheet steel.

ACCESSORIES

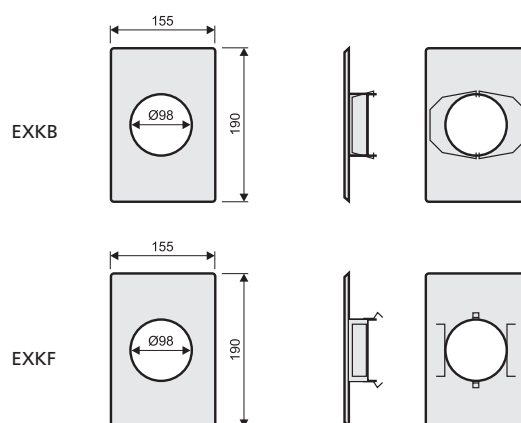
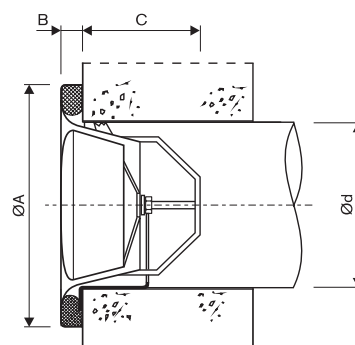
Mounting frame EXKT, rubber sealed insert fit
Mounting frame EXKB, EXKF conversion frame

QUICK FACTS

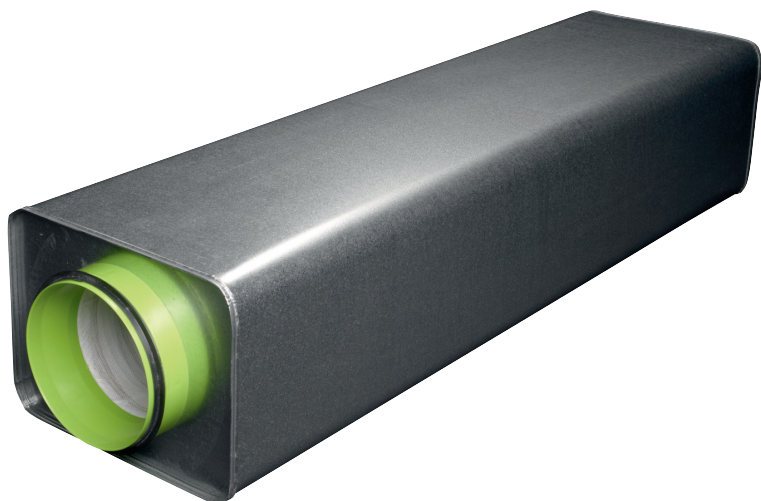
Can be mounted without mounting frame (mounting frame is always recommended)
Large throttle range
High attenuation

PRODUCT DESCRIPTION

Extract air valve	EXK 100
Mounting frame, insert	EXKT 100
Conv.frame spring	EXKB 100
Conv.frame feather	EXKF 100



	EXK 080	EXK 100	EXK 125	EXK 160	EXK 200
Airflow (l/s)	4-10	8-20	15-35	20-60	30-80
Airflow (m³/h)	15-36	29-72	54-126	72-215	108-288
Sound level @ 50 Pa (dB(A))	< 20-22	< 20-20	< 20-22	< 20-24	< 20-23
Size (mm)					
ØA	108	134	161	194	244
B	15	15	15	16	20
C	59	77	82	93	111
Ød (mm)	80	100	125	160	200
Weight (kg)	0,3	0,4	0,5	0,7	0,1



CLA Rectangular silencer with circular connection

CLA is a rectangular sound attenuator with circular connection spigots. It is designed to give very low installation height. CLA is fire resistance classed EI30 and has patent-pending self-supporting fiber-migration proof surface lining. The CLA is made of galvanized steel sheet and mineral wool as sound attenuation material.

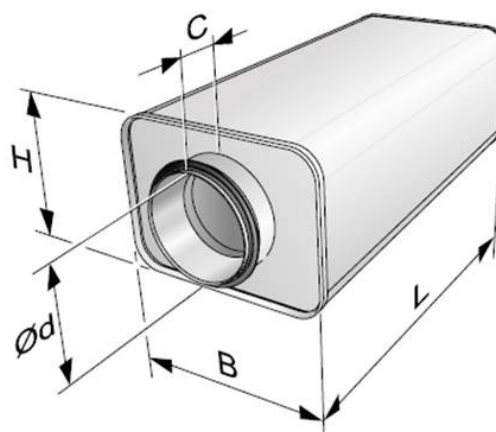
QUICK FACTS

- Extremely low installation height.
- Excellent sound attenuation
- Tightness Class D
- Low pressure drop
- Fire-resistance EI30

PRODUCT DESCRIPTION

Rectangular silencer

CLA-A 100-500



Size (mm)	Length (mm)	Ød (mm)	H (mm)	Static attenuation, dB (ISO 7235)								Weight (kg)	B (mm)	C (mm)
				63	125	250	500	1K	2K	4K	8K			
100	500	99	152	7	9	14	26	34	42	35	26	3,2	208	45
	1000	99	152	7	17	26	44	50	50	50	39	6,0	208	45
125	500	124	177	5	9	13	21	29	35	31	20	3,9	236	45
	1000	124	177	7	16	23	39	50	50	47	35	7,2	236	45
160	500	159	212	5	8	13	17	23	31	21	17	5,0	274	45
	1000	159	212	7	13	22	32	45	50	38	25	9,2	274	45
200	500	199	252	5	8	11	15	20	22	14	14	6,3	321	45
	1000	199	252	7	13	20	28	40	45	27	20	11,7	321	45
250	500	249	302	5	6	8	11	15	16	10	7	8,5	394	60
	1000	249	302	6	11	15	20	28	31	18	14	15,7	394	60



CIS, CIB Condense insulation

The condensation insulation is easy to mount with its smart design for the bends. It is made by cellular PE (cellpolyeten RG 30) that is cross densified with closed cells and therefore also works as a moisture barrier. Except for condensation, it also prevents sound and vibrations.

QUICK FACTS

Easy to use

Smart insulation bend design

Heat conductivity at $\pm 0^{\circ}\text{C}$ 0,034 W/mk

Working area -40 to $+200^{\circ}\text{C}$

Density 30 - 38 kg/m³

Do not age

Ozone resistant

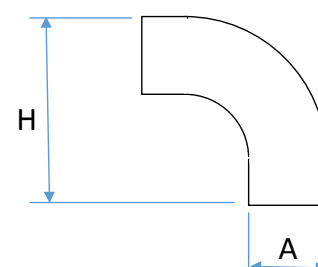
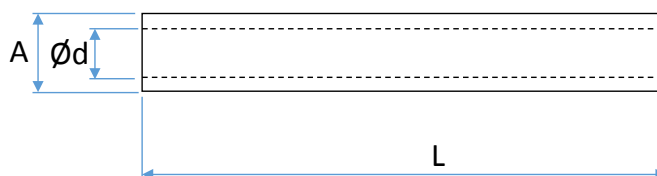
UV resistant

PRODUCT DESCRIPTION

Condense insulation straight CIS 125-1000

Condense insulation bend CIB 125-90

Insulation tejp CIT



	CIS 125	CIB 125-90
Size (mm)		
A	150	150
Ød (mm)	125	125
L	1000	-
H	-	280



LINE Duct cover kit

LINE duct cover is mounted on wall brackets that fixes both ducts and the duct cover in the right place. It comes in two versions, single (supply or extract) or double ducting (supply and extract). With the cover follows two bars that covers cut ends and creates a neat joining of two covers

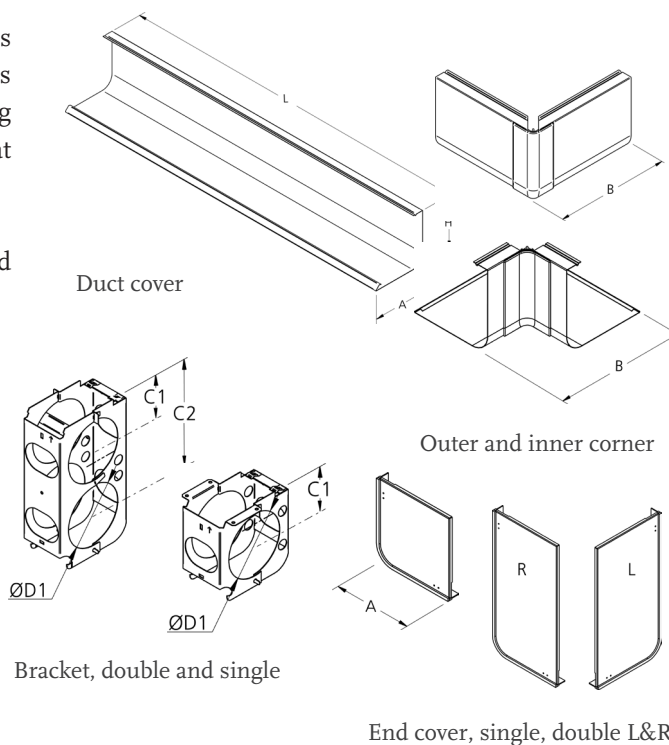
LINE Duct cover is made by galvanized steel sheet and powder coat painted in RAL 9003/NCS S 500-N.

QUICK FACTS

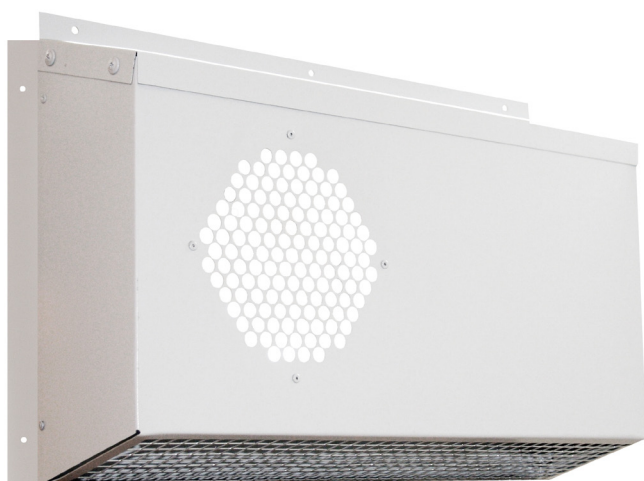
- Stylish design
- Complete with inner and outer corners
- Quick and easy to mount with smart brackets
- Down foldable duct cover

PRODUCT DESCRIPTION

Duct cover single LINE Cover a-1



Description	Article	Measures (mm)						
		A	B	H	L	ØD1	C1	C2
Duct cover single	LINE Cover a-1	170	-	170	1100	-	-	-
Duct cover double	LINE Cover a-2	170	-	310	1100	-	-	-
Outer corner single	LINE OC a-1	-	225	170	-	-	-	-
Outer corner double	LINE OC a-2	-	225	310	-	-	-	-
Inner corner single	LINE IC a-1	-	225	170	-	-	-	-
Inner corner double	LINE IC a-2	-	225	310	-	-	-	-
End cover single	LINE End a-1	170	-	170	-	-	-	-
End cover double Left	LINE End L a-2	170	-	310	-	-	-	-
End cover double Right	LINE End R a-2	170	-	310	-	-	-	-
Bracket single	LINE Bracket a-1	170	-	170	-	125	85	-
Bracket double	LINE Bracket a-2	170	-	310	-	125	85	225



WHD Wall hood double

WHD is a combined outlet and intake hood for wall mounting. The waste air is evacuated horizontally via a circular wired mesh net on the front of the hood. The fresh air is taken in the bottom of the hood, also via a wire mesh net. This construction prevents shortcut between waste air and fresh air, as well as eliminating the risk of water entering the system with the fresh air.

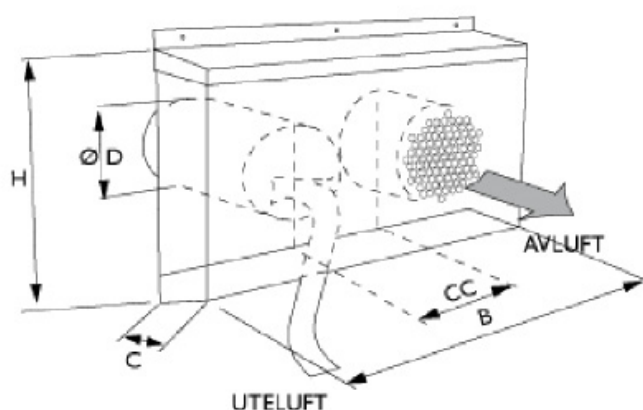
Material: abc-warranty sheet, corrosion class C4.

QUICK FACTS

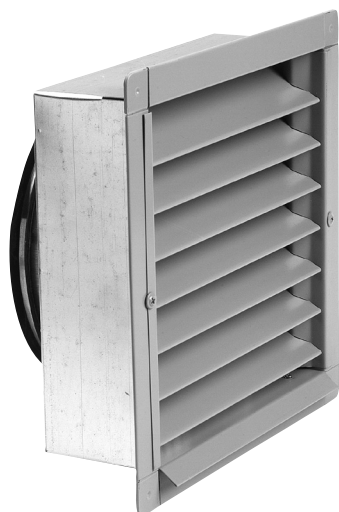
Combined outlet and intake hood
 Reversible for right or left version
 Available in three colors as standard

PRODUCT DESCRIPTION

Wall hood WHD 125-Z
 R=red, B=black, Z=zinc grey



	WGS 125	WGS 160	WGS 200	WGS 250
Fresh air (5-20 Pa)				
Airflow (l/s)	35-68	49-96	75-150	127-243
Airflow (m³/h)	126-245	176-344	270-540	457-874
Waste air (5-30 Pa)				
Airflow (l/s)	20-48	35-80	52-120	80-190
Airflow (m³/h)	72-172	126-288	187-432	288-684
Size (mm)				
B	400	470	560	660
H	255	295	335	400
C	115	115	115	185
ØD	125	160	200	250
CC	185	220	260	310



WGS Wall grille Single

WGS is a wall mounted grille with rubber seal inlet connection for fresh or waste air. WGS works well in protected and normal circumstances and has a very good separation of water (>99%) at air velocity up to 2 m/s through the grille. WGS comes with a backing box with integrated wire mesh net.

Material: abc-warranty sheet, corrosion class C4.

ACCESSORIES

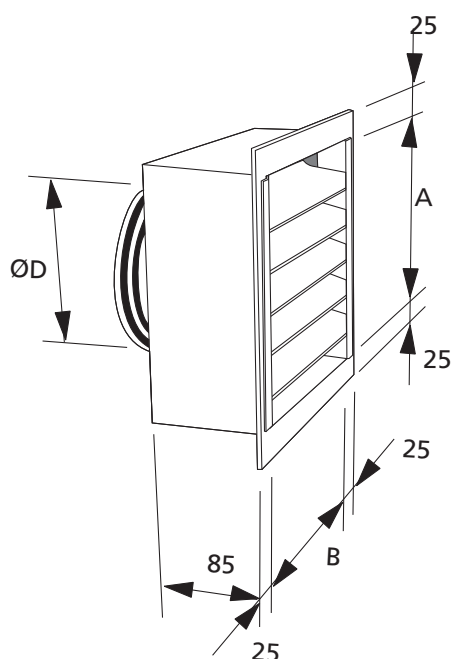
Insect net
Rain cap

QUICK FACTS

Works as both intake or outlet grille
Inlet fitting with rubber seal
Available in three colors as standard

PRODUCT DESCRIPTION

Wall grille WGS 125-R
R=red, B=black, Z=zinc grey



	WGS 125	WGS 160	WGS 200	WGS 250
Fresh air (5-20 Pa)				
Airflow (l/s)	30-60	44-89	74-150	112-225
Airflow (m³/h)	108-216	158-320	266-540	403-810
Waste air (5-30 Pa)				
Airflow (l/s)	29-68	43-104	69-165	101-246
Airflow (m³/h)	104-244	158-320	248-594	364-885
Size (mm)				
A	195	245	295	395
B	195	245	295	395
ØD	125	160	200	250
Weight (kg)	1	2	3	6



WHS Wall hood single

WHS is a cleanable wall mounted hood with rubber seal inlet connection for fresh or waste air. WHS creates a good protection to harsh weather.

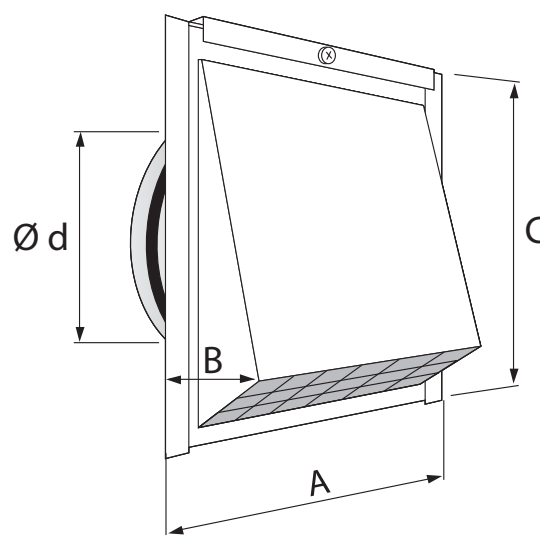
Material: abc-warranty sheet, corrosion class C4.

QUICK FACTS

Works as both intake or outlet hood
Inlet fitting with rubber seal
Available in three colors as standard

PRODUCT DESCRIPTION

Wall hood WHS 125-B
R=red, B=black, Z=zinc grey



	WHS 125	WHS 160	WHS 200	WHS 250
Fresh air (5-20 Pa)				
Airflow (l/s)	33-65	50-98	75-150	134-265
Airflow (m³/h)	119-234	108-352	270-540	482-954
Waste air (5-30 Pa)				
Airflow (l/s)	31-75	47-117	72-174	121-290
Airflow (m³/h)	104-270	169-421	259-626	436-1044
Size (mm)				
A	270	300	400	500
B	105	130	140	190
C	245	300	345	455
Ø D	125	160	200	250
Weight (kg)	0,7	0,7	1	1



