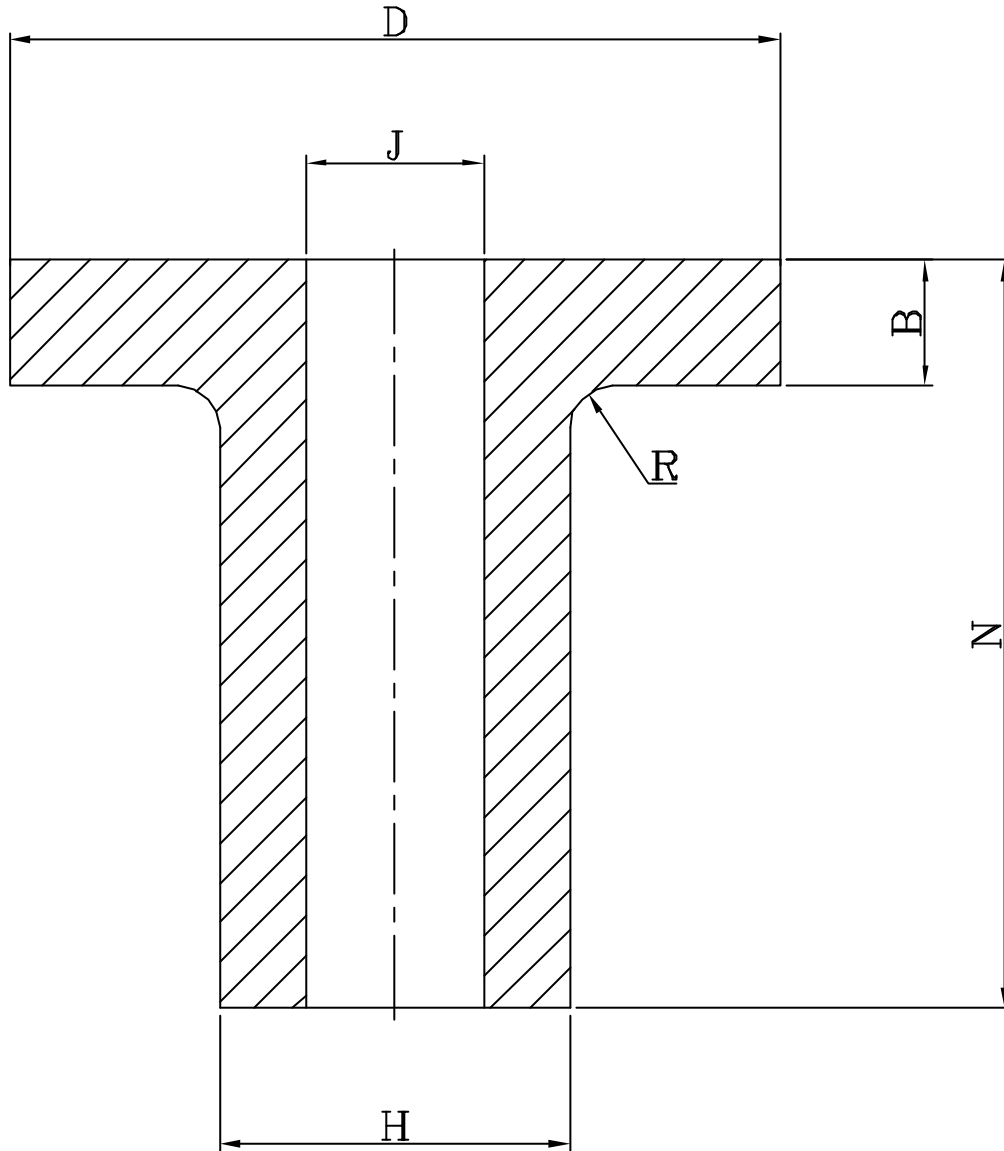


MACHINING DRAWING



LWF	D	J	B	H	N	G	K	L	I

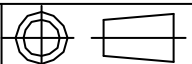
- * ALL DIMENSIONS ARE IN M.M.
- * DO NOT SCALE THE DWG.
- * DIMENSIONS TAKEN ON INTERSECT POINT OTHER WISE SPECIFIED.


FORGING TOLERANCES	
UNSPECIFIED DRAFT ANGLE:-	
UNSPECIFIED RADII :-	
LENGTH :-	
WIDTH :-	

TITLE: -

Long Welding

DRG.NO.: -



	NAME	DATE	 ROLLWELL FORGE LIMITED BEHIND G.E.B. SUB STATION, SURVEY NO.239/1 N.H.8B RAJKOT-GONDAL HIGHWAY SHAPAR-360 002.	REVISION	NO.	DATE	DRN.	CHKD.
DRAWN.	ANISH	13.06.09						
CHECKED								
APPROVED								

CAD