

### Profile system

- Glass folding door with highly thermally insulated aluminum profiles
- Bottom-loaded construction
- The construction depth of the profiles is 95 mm
- Rear-ventilated wooden cladding inside
- Option of flush or weathered bottom track
- The flush bottom track is particularly suitable for use in „Barrier-free dwellings“ according to DIN 18 025
- Panel open to the inside or outside
- Opening of panels by sliding to one side or to both sides
- Flush running and guide tracks
- Height variations and expansions may be compensated

### Tests

- $U_w$  up to 1,0 W/m<sup>2</sup>k (with glazing  $U_g = 0,5$  W/m<sup>2</sup>k)
- Air permeability class 4 according to EN 1026
- Rain tightness class 9A according to EN 1027
- Resistance to wind load class B5/C4 according to EN 12210
- Airborne sound insulation value  $R_w = 36$  dB according to DIN EN ISO 140-3
- Burglar-resistance up to resistance class 2 (WK2)

### Fittings

- All fittings are concealed within the profiles
- Low-maintenance, non-corroding and failsafe hardware components
- Locking of panels in top and bottom track and/or via mushroom head-lock engaging into the frame or adjacent panel
- Locking and unlocking of panels via flat handles with locking device for burglar resistance
- Optionally fitted with different lock types
- Hinges are secured against knocking-out of the pivot pins (burglar resistance)
- An open turn panel may be securely fixed to the adjacent panel by panel catchers

### Running assembly

- Easy adjustment due to a height-adjustable carriage system
- The running assemblies are located above the water drainage area
- Low-noise, wear-, heat- and cold-resistant rollers

### Sealing and ventilation

- Using EPDM gaskets at two levels guarantees rain- and wind-proofness

### Glazing

- Glazing configuration 40 mm
- Subsequent replacement of panes without difficulty



Testreport No.23-21/09E, No. 40-12/12 and No. 40-13/12

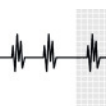


Testreport ATT 11.11.801.01



tested SUNFLEX Quality

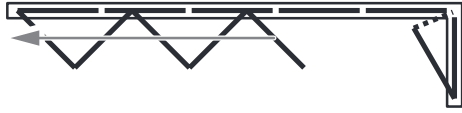
SG - Bauakustik  
Institut für schalltechnische Produktoptimierung



Testreport 1286-001-10

Corner angles 90°-180° with or without corner post (only available with special corner post/special design!)

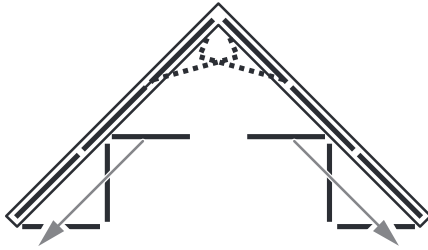
Typ I



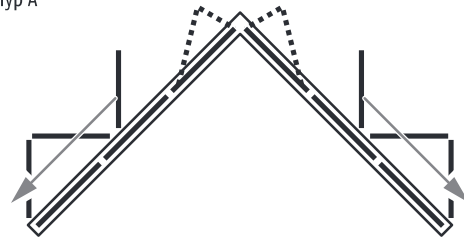
Typ A



Typ I

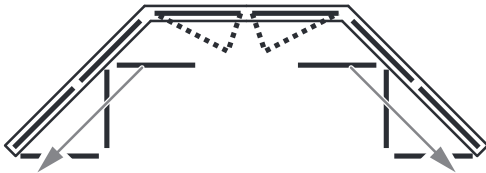


Typ A

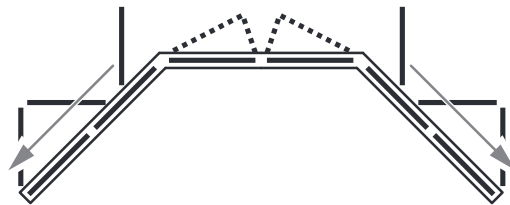


Corner angles 90°-180° (only available with special corner post/special design!)

Typ I



Typ A



Other floor plan geometries upon request

Typ A = Outward opening of panels    Typ I = Inward opening of panels



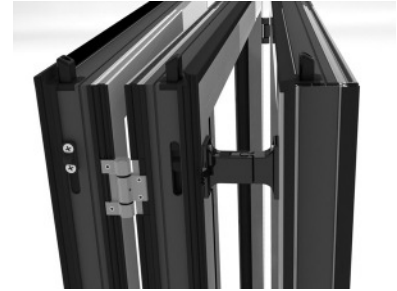
**Safety**

The panels are locked and unlocked by means of a user-friendly single-handed manipulation of robust flat handles. For additional safety, different types of locks are available.



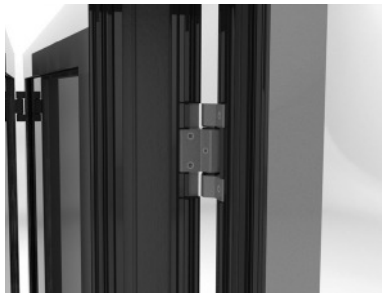
**Mushroom head lock**

For optimal tightness and burglar resistance the doorway panel (turn panel) is laterally being connected to the frame or the adjacent panel through a mushroom head lock.



**Safety function panel catcher**

In any opening position of the folding system an open turn panel may be safely locked to the adjacent panel by means of safety function panel catchers and be carried along in a controlled way.



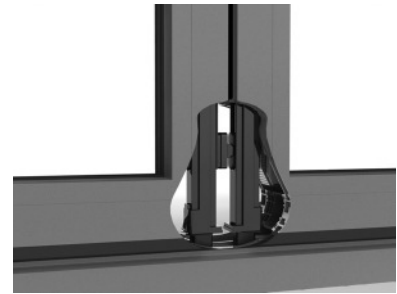
**Burglar resistance**

All external hinges are additionally secured by means of a safety screw against knocking out of the hinge bolts.



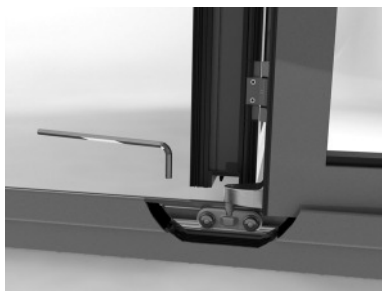
**Proper handle series**

Handles matching the profile design guarantee a harmonized overall picture of the folding system in closed state and a small panel package in open state.



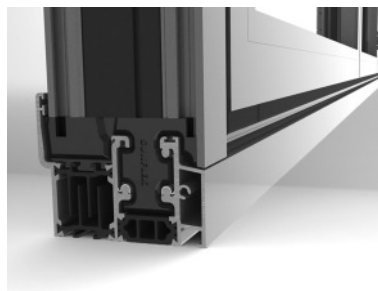
**Twin-Lock locking mechanism**

To guarantee additional safety, the optionally available twin-lock locking mechanism offers a maximum of security.



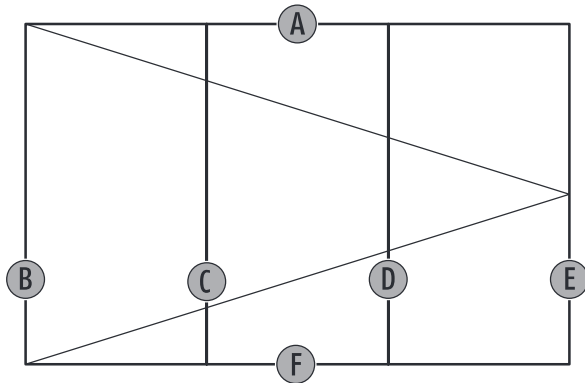
**Height compensation**

The height of the installed folding system may be easily adjusted by a few hand grips, only – this is important in case of eventual structure sagging.

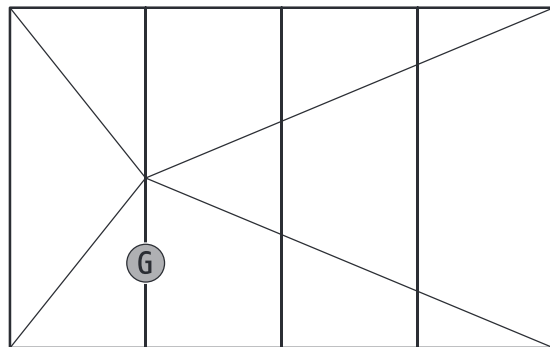


**Assembly**

The assembly shoes allow a fast and trouble-free assembly of the frame and a fine adjustment of the vertical frame profiles in the closing range.

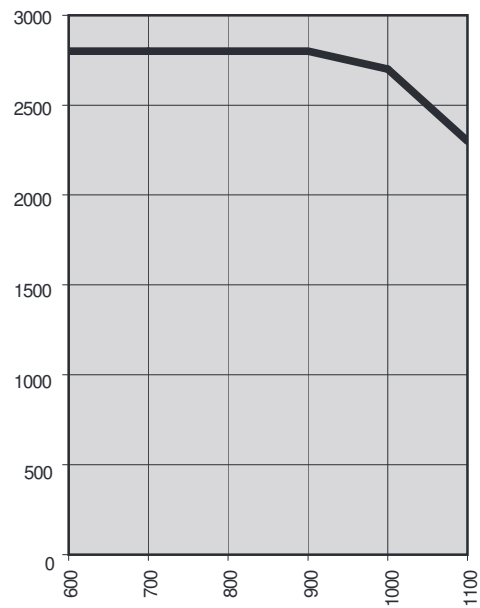


Details at even panel partition in one direction



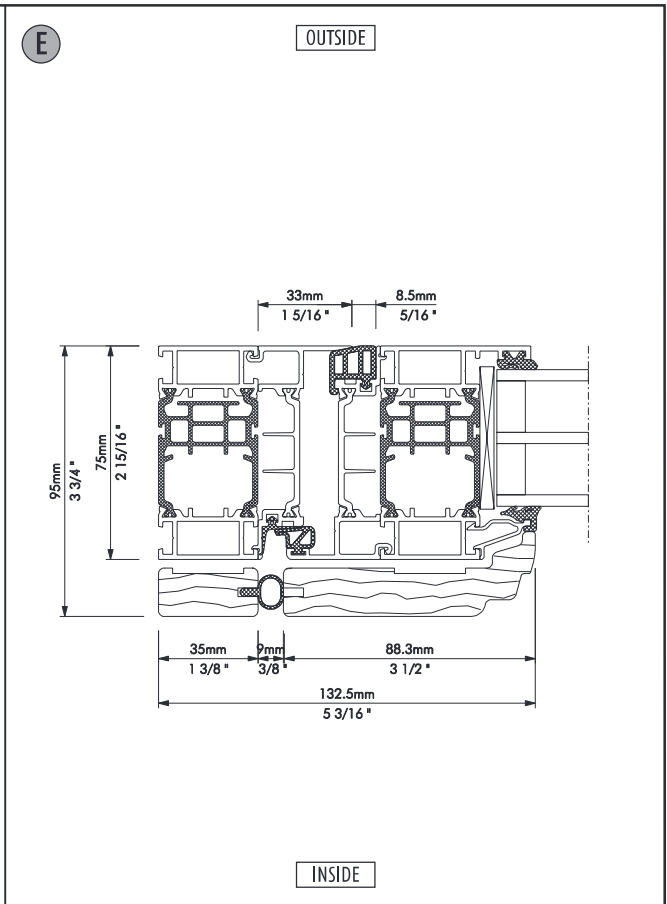
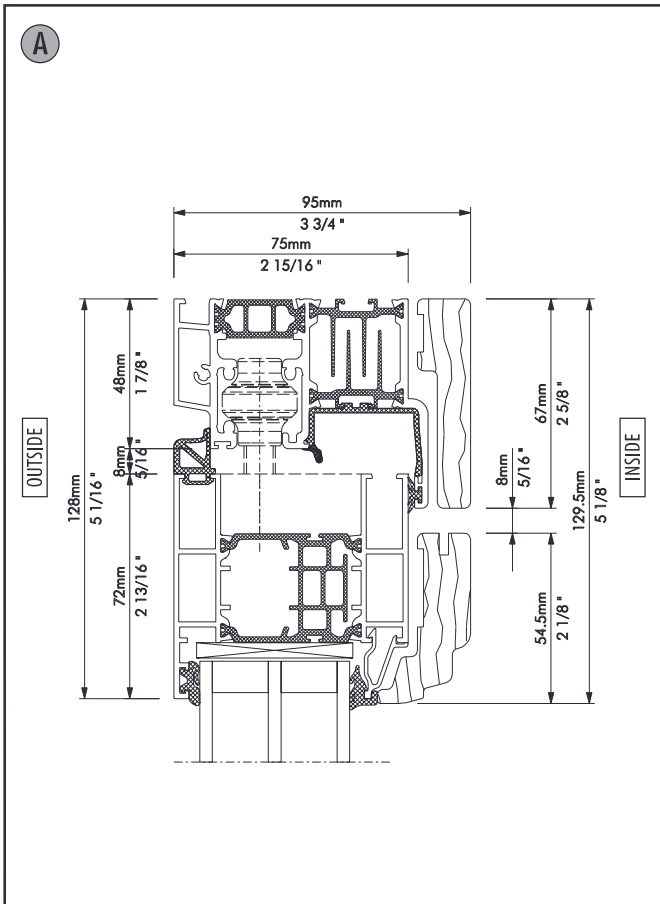
Details at even and uneven panel partition in two directions

Panel size diagram



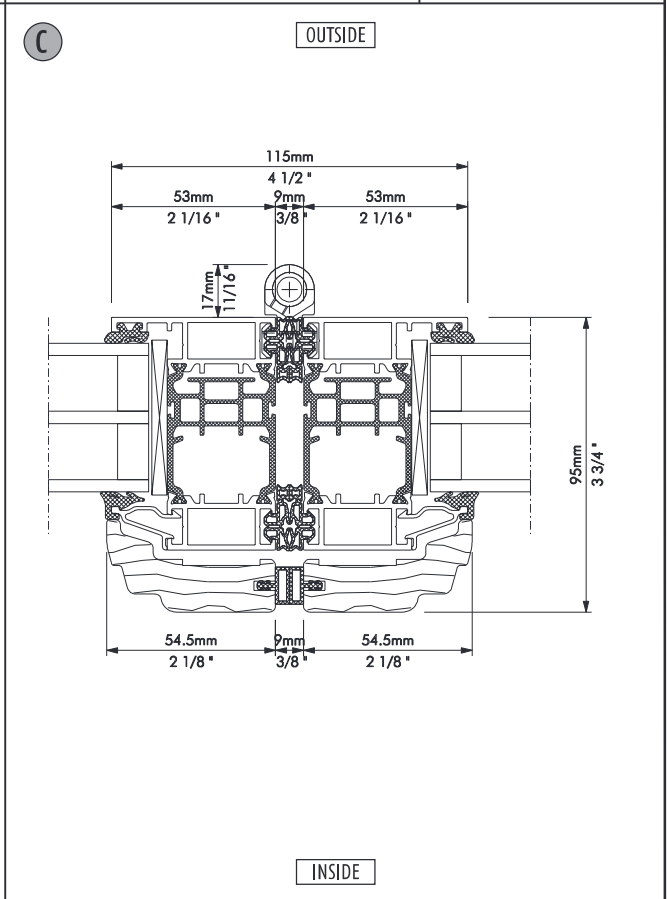
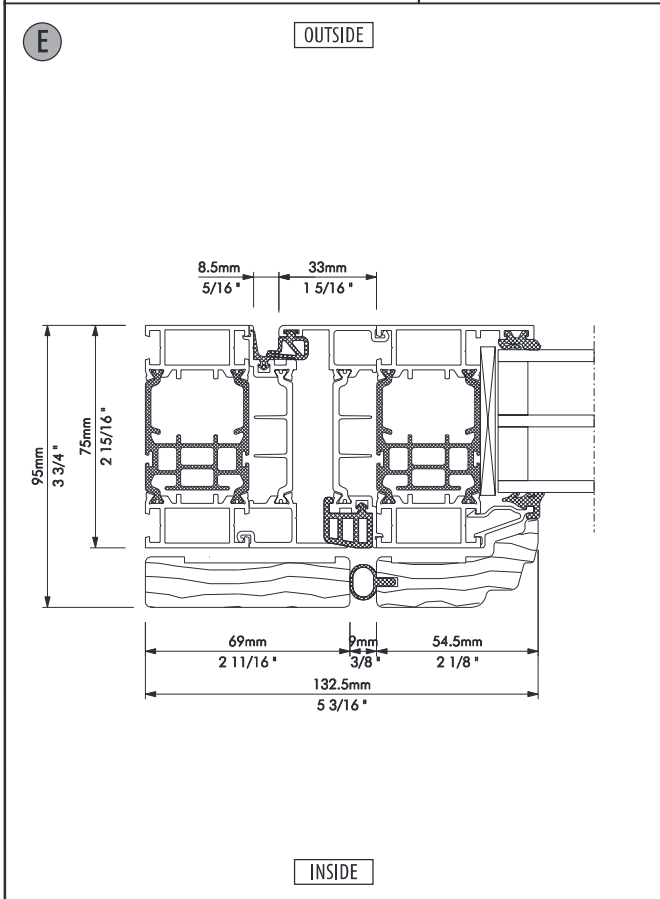
Ref.	Section	Description	Page
--	SF75c-000	Vertical-Section, timber clad designs (classic, modern (soft), squared)	5
F	SF75c-001	Vertical-Section, connection bottom track / inside folding	5
F	SF75c-003	Vertical-Section, connection bottom track / outside folding	5
A	SF75c-002	Vertical-Section, connection top track / inside folding	5
A	SF75c-004	Vertical-Section, connection top track / outside folding	6
E	SF75c-101	Horizontal-Section, blind frame - panel closing section / inside folding	6
E	SF75c-102	Horizontal-Section, blind frame - panel closing section / outside folding	6
C	SF75c-103	Horizontal-Section, panel - panel / hinge outside	6
D	SF75c-104	Horizontal-Section, panel - panel / hinge inside	7
B	SF75c-105	Horizontal-Section, vertical post - panel / hinge inside	7
B	SF75c-106	Horizontal-Section, vertical post - panel / hinge outside	7
D	SF75c-107	Horizontal-Section, midrail	7
G	SF75c-108	Horizontal-Section, panel - panel closing section	8
E	SF75c-109	Horizontal-Section, frame extension 35 mm	8
E	SF75c-110	Horizontal-Section, frame extension 70 mm	8
D	SF75c-121	Horizontal-Section, sliding post / hinge inside	8
D	SF75c-115	Horizontal-Section, closing section - sliding post (e.g. 1L/2R) / outside folding	9
D	SF75c-116	Horizontal-Section, closing section - sliding post (e.g. 1L/2R) / inside folding	9
E	SF75c-117	Horizontal-Section, blind frame - panel closing section incl. sliding post (e.g. 2R) / outside folding	9
E	SF75c-118	Horizontal-Section, blind frame - panel closing section incl. sliding post (e.g. 2R) / inside folding	9
--	SF75c-119	Horizontal-Section, profil section - sliding post(e.g. 2L/2R) / outside folding	10
--	SF75c-120	Horizontal-Section, profil section - sliding post(e.g. 2L/2R) / inside folding	10

<p>classic</p> <p>modern (soft)</p> <p>squared</p>	<p>System: SF75c</p> <p>Detail-No.: SF75c-000</p>	<p>System: SF75c</p> <p>Detail-No.: SF75c-001</p>
<p>System: SF75c</p> <p>Detail-No.: SF75c-003</p>	<p>System: SF75c</p> <p>Detail-No.: SF75c-002</p>	



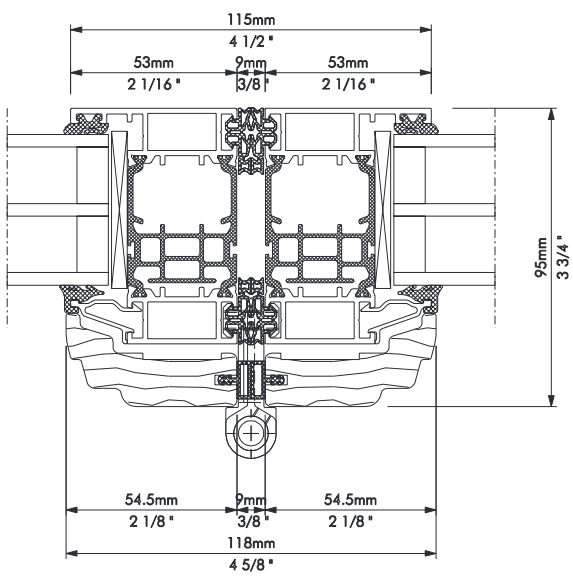
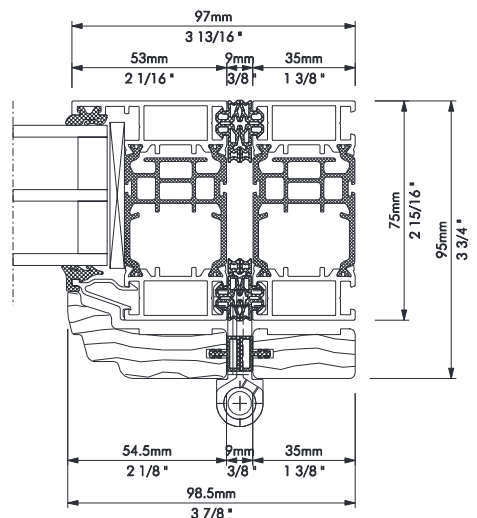
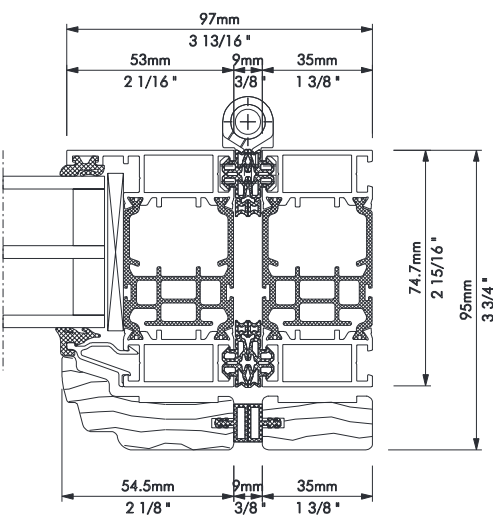
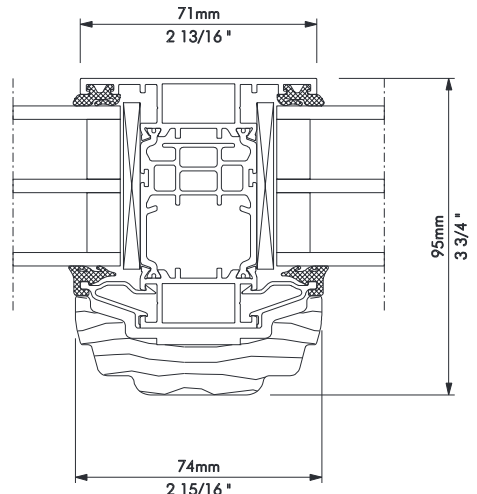
Description: Vertical-Section, connection top track / outside folding  
 System: SF75c  
 Detail-No.: SF75c-004

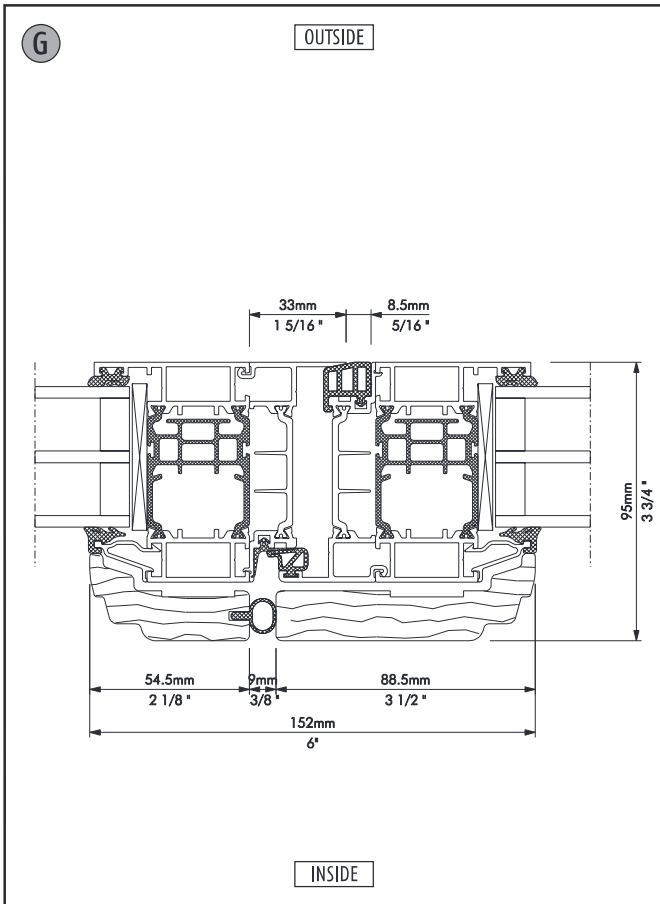
Description: Horizontal-Section, blind frame - panel dosing section / inside folding  
 System: SF75c  
 Detail-No.: SF75c-101



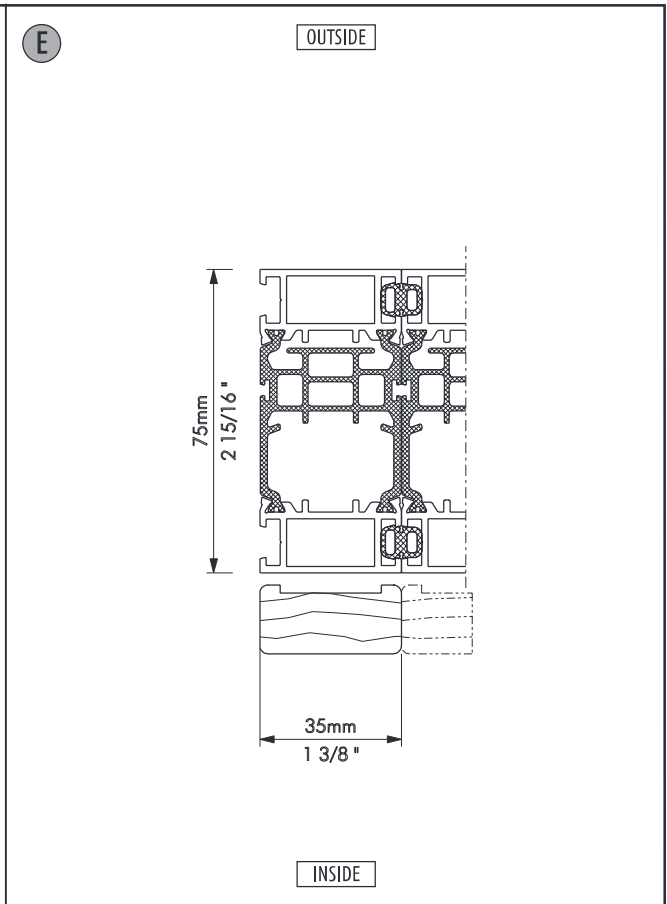
Description: Horizontal-Section, blind frame - panel dosing section / outside folding  
 System: SF75c  
 Detail-No.: SF75c-102

Description: Horizontal-Section, panel - panel / hinge outside  
 System: SF75c  
 Detail-No.: SF75c-103

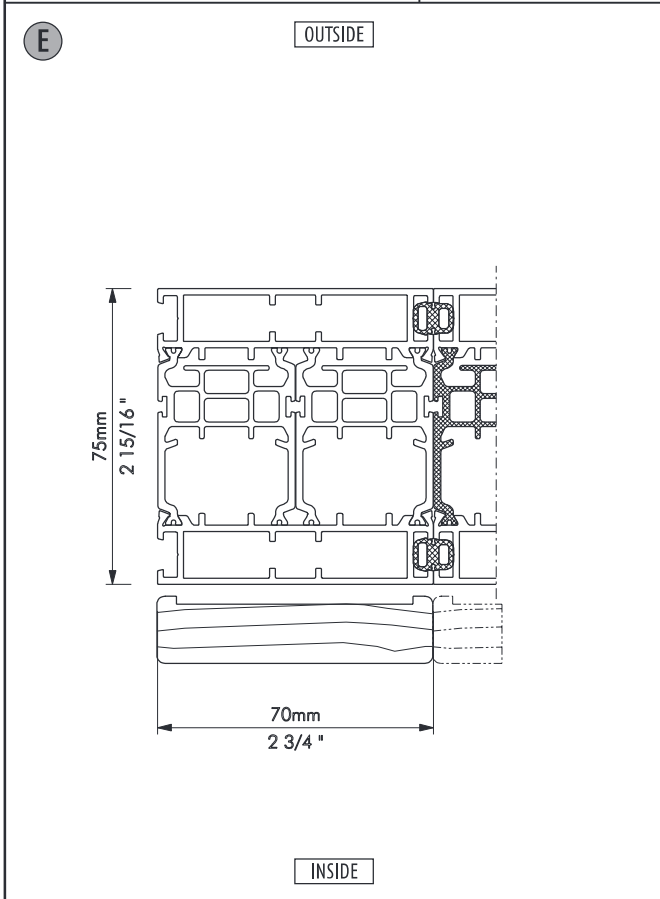
<p><b>C</b> OUTSIDE</p>  <p>INSIDE</p>	<p><b>E</b> OUTSIDE</p>  <p>INSIDE</p>		
<p>Description: Horizontal-Section, panel - panel / hinge inside</p>	<p>System: SF75c Detail-No.: SF75c-104</p>	<p>Description: Horizontal-Section, vertical post - panel / hinge inside</p>	<p>System: SF75c Detail-No.: SF75c-105</p>
<p><b>E</b> OUTSIDE</p>  <p>INSIDE</p>	<p><b>D</b> OUTSIDE</p>  <p>INSIDE</p>		
<p>Description: Horizontal-Section, vertical post - panel / hinge outside</p>	<p>System: SF75c Detail-No.: SF75c-106</p>	<p>Description: Horizontal-Section, midrail</p>	<p>System: SF75c Detail-No.: SF75c-107</p>



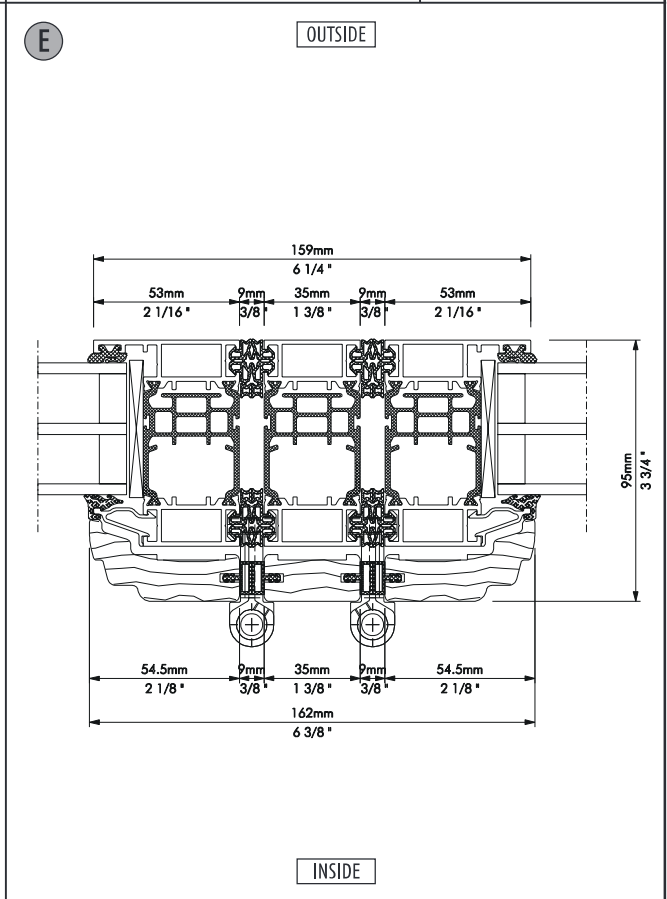
Description: Horizontal-Section, panel - panel closing section	System: SF75c
	Detail-No.: SF75c-108



Description: Horizontal-Section, frame extension 35 mm	System: SF75c
	Detail-No.: SF75c-109



Description: Horizontal-Section, frame extension 70 mm	System: SF75c
	Detail-No.: SF75c-110



Description: Horizontal-Section, sliding post / hinge inside	System: SF75c
	Detail-No.: SF75c-121



<p><b>D</b> OUTSIDE</p> <p>INSIDE</p>	<p><b>E</b> OUTSIDE</p> <p>INSIDE</p>		
<p>Description: Horizontal-Section, closing section - sliding post (e.g. 1L/2R) / outside folding</p>	<p>System: SF75c Detail-No.: SF75c-115</p>	<p>Description: Horizontal-Section, closing section - sliding post (e.g. 1L/2R) / inside folding</p>	<p>System: SF75c Detail-No.: SF75c-116</p>
<p><b>E</b> OUTSIDE</p> <p>INSIDE</p>	<p><b>E</b> OUTSIDE</p> <p>INSIDE</p>		
<p>Description: Horizontal-Section, b. f. - p. cl. section incl. sliding post (e.g. 2R) / outside folding</p>	<p>System: SF75c Detail-No.: SF75c-117</p>	<p>Description: Horizontal-Section, b. f. - p. cl. section incl. sliding post (e.g. 2R) / inside folding</p>	<p>System: SF75c Detail-No.: SF75c-118</p>

<p><b>E</b> <span style="border: 1px solid black; padding: 2px;">OUTSIDE</span></p> <p style="text-align: center;"><span style="border: 1px solid black; padding: 2px;">INSIDE</span></p>	<p><b>E</b> <span style="border: 1px solid black; padding: 2px;">OUTSIDE</span></p> <p style="text-align: center;"><span style="border: 1px solid black; padding: 2px;">INSIDE</span></p>		
<p>Description: Horizontal-Section, profil section - sliding post (e.g. 2L/2R) / outside folding</p>	<p>System: SF75c Detail-No.: SF75c-119</p>	<p>Description: Horizontal-Section, profil section - sliding post (e.g. 2L/2R) / inside folding</p>	<p>System: SF75c Detail-No.: SF75c-120</p>