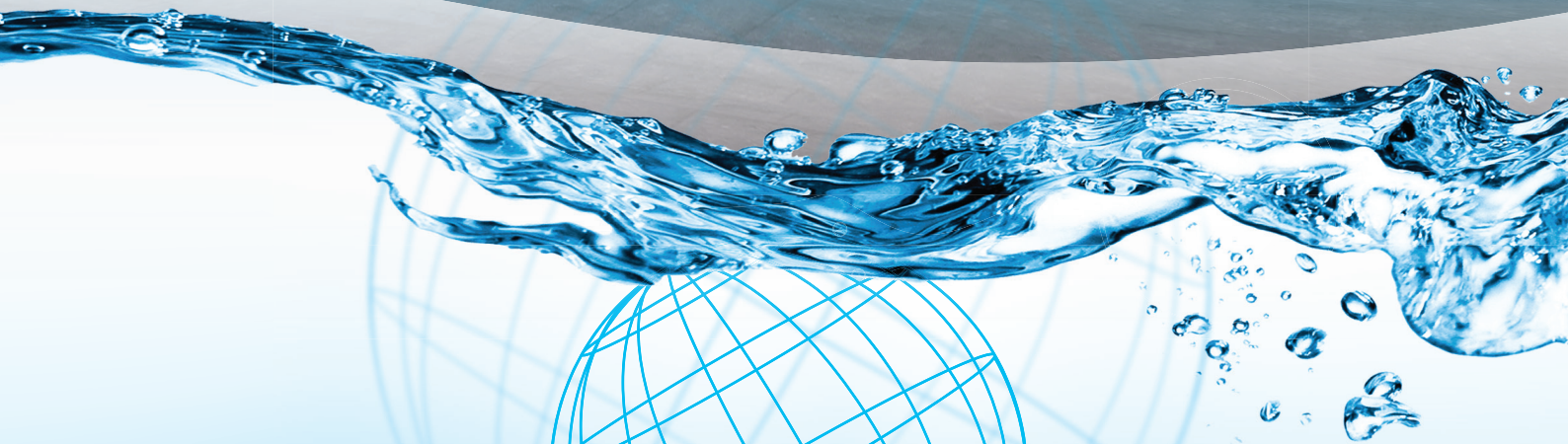




AES

Automated Environmental Systems



Swimming Pool

01842 819130



HEAT PUMPS

Hydro-Pro

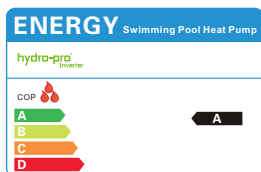
Hydro-Pro Heat pump, type Z Inverter

The inverter heat pump offers the ability to vary the heating capacity to suit weather conditions. Using the new automated modes, the compressor and fan speeds will be varied to reduce noise level and energy consumption by up to 50%.



Features:

- Energy label A
- The heat pump Inverter provides the opportunity to automatically adjust heating capacities to suit weather conditions
- "All seasons" model works down to -15°C
- Quiet running with low noise rotary compressor and low noise variable speed fan motor
- Automatic heating and cooling
- Automatic defrost
- Easy temperature control with LCD display
- High efficiency, COP up to 13
- Cabinet made of ABS
- Titanium twisted heat exchanger resist to salt and chlorine
- Soft start, no voltage peaks
- R32 gas, which has a 3x lower GWP (Global Warming Potential) than the R410A (T-models excluded)
- 2 year warranty for heat pump, 7 year warranty for compressor and heat exchanger
- Winter cover included
- Maximum pool volume depending on environmental conditions



PART NO.	TYPE	HEATING CAP. A15/W25	MOTOR POWER kW	COP AT A15/W25	POOL VOLUME m ³	NOM. VOL. FLOW RATE m ³ /h	PG
7024515	Z7/32	4.7 - 2.5	1.25 - 0.17	7.1 - 4.6	20-35	2.5	IA02
7024516	Z11/32	7.9 - 2.0	1.77 - 0.22	7.2 - 4.6	30-53	3.7	IA02
7024517	Z14/32	9.5 - 2.2	2.26 - 0.25	7.2 - 4.6	40-70	4	IA02
7024518	Z16/32	11.2 - 3.0	2.67 - 0.29	7.2 - 4.6	45-79	4.6	IA02
7024519	Z19/32	14.0 - 3.9	3.17 - 0.36	7.2 - 4.6	55-96	5	IA02
7024520	Z24/32	18.6 - 4.5	4.25 - 0.45	7.2 - 4.6	75-131	8	IA02
7024521	Z24T/R410A	18.6 - 4.5	4.25 - 0.45	7.2 - 4.6	75-131	8	IA02
7024522	Z29/32	23.7 - 5.6	5 - 0.52	7.2 - 4.6	100-175	10	IA02
7024523	Z29T/R410A	23.7 - 5.6	5 - 0.52	7.2 - 4.6	100-175	10	IA02

Buy online at www.automatedenvironmentalsystems.co.uk



UNIT HYDRO-PRO INVERTER	TYPE	Z7/32	Z11/32	Z14/32	Z16/32	Z19/32
Part nr.		7024515	7024516	7024517	7024518	7024519
Heating capacity A27/W27 (max. - min.)	kW	7-2.2	11-2.9	14-3.2	16-3.8	19-4.7
Heating capacity A15/W25 (max. - min.)	kW	4.7-2.5	7.9-2	9.5-2.2	11.2-3	14-3.9
Power input (max.-min.)	kW	1.25-0.17	1.77-0.22	2.26-0.25	2.67-0.29	3.17-0.36
Swimming pool volume*	m ³	20-35	30-53	40-70	45-79	55-96
Maximum current	A	5.5	7.9	10.0	11.8	14.0
Slow fuse current	A	9	12	15	18	21
COP at A27/W27		13-5.6	13-6.2	13-6.2	13-6	13-6
COP at A15/W25		7.1-4.6	7.2-4.6	7.2-4.6	7.2-4.6	7.2-4.6
Power supply	V/Ph/Hz	220-240/1/50	220-240/1/50	220-240/1/50	220-240/1/50	220-240/1/50
Heat exchanger		Twist-titanium tube in PVC	Twist-titanium tube in PVC	Twist-titanium tube in PVC	Twist-titanium tube in PVC	Twist-titanium tube in PVC
Compressor type		Inverter	Inverter	Inverter	Inverter	Inverter
Refrigerant		R32	R32	R32	R32	R32
Fan quantity		1	1	1	1	1
Fan direction		Horizontal	Horizontal	Horizontal	Horizontal	Horizontal
Fan speed	RPM	500-850	550-850	550-850	550-850	450-650
Power input of fan	W	22-82	22-82	22-82	32-110	35-130
Noise level (1 m)	dB(A)	40-51	40-52	40-54	41-54	41-56
Noise level (10 m)	dB(A)	≤ 41	≤ 42	≤ 43	≤ 43	≤ 45
Water connection	mm	50	50	50	50	50
Nominal flow rate	m ³ /h	2.5	3.7	4.0	4.6	5.0
CO2 equivalent	Tonne	0.44	0.57	0.74	0.87	1.25
Net dimensions	mm	1008/380/577	1050/440/709	1050/440/709	1050/440/709	1050/450/870
Shipping dimensions	mm	1095/430/705	1130/470/850	1130/470/850	1130/470/850	1140/480/1010
Net weight/shipping weight	Kg	54/66	68/73	73/78	78/83	98/113

UNIT HYDRO-PRO INVERTER	TYPE	Z24/32	Z24T	Z29/32	Z29T
Part nr.		7024520	7024521	7024522	7024523
Heating capacity A27/W27 (max. - min.)	kW	25.5-5.9	25.5-5.9	30-6.8	30-6.8
Heating capacity A15/W25 (max. - min.)	kW	18.6-4.5	18.6-4.5	23.7-5.6	23.7-5.6
Power input (max.-min.)	kW	4.25-0.45	4.25-0.45	5-0.52	5-0.52
Swimming pool volume*	m ³	75-131	75-131	100-175	100-175
Maximum current	A	17.7	6.9	21.0	8.2
Slow fuse current	A	27	10	34	13
COP at A27/W27		13-6	13-6	13-6	13-6
COP at A15/W25		7.2-4.6	7.2-4.6	7.2-4.6	7.2-4.6
Power supply	V/Ph/Hz	220-240/1/50	380/3/50	220-240/1/50	380/3/50
Heat exchanger		Twist-titanium tube in PVC	Twist-titanium tube in PVC	Twist-titanium tube in PVC	Twist-titanium tube in PVC
Compressor type		Inverter	Inverter	Inverter	Inverter
Refrigerant		R32	R410A	R32	R410A
Fan quantity		2	2	2	2
Fan direction		Horizontal	Horizontal	Horizontal	Horizontal
Fan speed	RPM	(550-850)*2	(550-850)*2	(550-850)*2	(550-850)*2
Power input of fan	W	(32-110)*2	(32-110)*2	(32-110)*2	(32-110)*2
Noise level (1 m)	dB(A)	42-58	42-58	42-60	42-60
Noise level (10 m)	dB(A)	≤ 46	≤ 46	≤ 49	≤ 49
Water connection	mm	50	50	50	50
Nominal flow rate	m ³ /h	8.0	8.0	10.0	10.0
CO2 equivalent	Tonne	1.62	6.26	2.06	6.68
Net dimensions	mm	1050/452/1295	1050/452/1295	1050/452/1295	1050/452/1295
Shipping dimensions	mm	1130/515/1430	1130/515/1430	1130/515/1430	1130/515/1430
Net weight/shipping weight	Kg	117/135	117/135	128/146	128/146

* Provided it is correctly insulated, calculation model: min. 4x heating capacity (A15/W25) / max. 7x heating capacity (A15/W25)

Winter cover included.

Buy online at www.automatedenvironmentalsystems.co.uk

HEAT PUMPS

Hydro-Pro

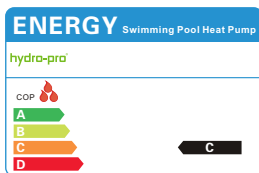
Hydro-Pro Heat pump, type P On/Off

Hydro-Pro heat pump helps to extend the swimming season, controlling pool temperature in hot summer and helps you enjoy your pool investment for longer time during the year.



Features:

- "All seasons" model works down to -5°C
- Quiet running
- For heating and cooling
- Easy temperature control with LCD display
- Automatic defrost
- High efficiency, COP up to 6.4
- Cabinet made of ABS
- R32 gas, which has a 3x lower GWP (Global Warming Potential) than the R410A
- 2 year warranty for heat pump, 7 year warranty for compressor and heat exchanger
- Winter cover included
- Maximum pool volume depending on environmental conditions



PART NO.	TYPE	HEATING CAP. A15/W25	MOTOR POWER kW	COP AT A15/W25	MAX. POOL VOL. m ³	NOM. VOL. FLOW RATE m ³ /h	PG
7024524	P6/32 On/Off	4.12	0.97	4.25	20	2.3	IA02
7024525	P8/32 On/Off	5.71	1.32	4.33	30	3	IA02
7024526	P12/32 On/Off	7.8	1.7	4.59	40	4.5	IA02
7024527	P14/32 On/Off	9.8	2.17	4.52	50	5.3	IA02
7024528	P20/32 On/Off	13.8	2.87	4.81	70	6.8	IA02
7024529	P23/32 On/Off	16.2	3.2	5.06	80	7.5	IA02
7024530	P23T/32 On/Off	16.2	3.2	5.06	80	7.5	IA02
7024531	P26T/32 On/Off	19.1	3.75	5.09	100	9	IA02

Buy online at www.automatedenvironmentalsystems.co.uk



UNIT HYDRO-PRO	TYPE	P6/32	P8/32	P12/32	P14/32
Part nr.		7024524	7024525	7024526	7024527
Heating capacity A27/W27	kW	5.81	8.31	11.5	13.5
Heating capacity A15/W25	kW	4.12	5.71	7.8	9.8
Power input	kW	0.97	1.32	1.7	2.17
Swimming pool volume*	m ³	20-28	28-40	40-55	50-68
Running current	A	4.5	5.9	7.8	9.9
Slow fuse current	A	15	15	15	20
COP at A27/W27		5.87	6.34	5.90	5.74
COP at A15/W25		4.25	4.33	4.59	4.52
Power supply	V/Ph/Hz	230/1/50	230/1/50	230/1/50	230/1/50
Heat exchanger		Titanium	Titanium	Titanium	Titanium
Compressor type		Rotary	Rotary	Rotary	Rotary
Compressor brand		Hitachi	Hitachi	Hitachi	Mitsubishi
Refrigerant		R32	R32	R32	R32
Fan quantity		1	1	1	1
Fan direction		Horizontal	Horizontal	Horizontal	Horizontal
Fan speed	RPM	850	850	850	850
Fan power input	W	90	90	120	150
Noise level (1 m)	dB(A)	50	52	54	54
Noise level (10 m)	dB(A)	38	42	42	42
Water connection	mm	50	50	50	50
Nominal water flow	m ³ /h	2.3	3	4.5	5.3
CO2 equivalent	Tonne	0.27	0.41	0.44	0.52
Net dimensions	L/W/H mm	770/315/585	953/360/605	953/360/605	1115/470/870
Shipping dimensions	L/W/H mm	785/325/585	970/370/615	970/370/615	1220/480/880

UNIT HYDRO-PRO	TYPE	P20/32	P23/32	P23T/32	P26T/32
Part nr.		7024528	7024529	7024530	7024531
Heating capacity A27/W27	kW	19.5	23.1	23.1	25.80
Heating capacity A15/W25	kW	13.8	16.2	16.2	19.10
Power input	kW	2.87	3.2	3.2	3.75
Swimming pool volume*	m ³	69-96	80-113	80-113	95-133
Running current	A	12.8	14.6	6.2	7.3
Slow fuse current	A	35	35	20	20
COP at A27/W27		6.30	6.42	6.42	6.29
COP at A15/W25		4.81	5.06	5.06	5.09
Power supply	V/Ph/Hz	230/1/50	230/1/50	380/3/50	380/3/50
Heat exchanger		Titanium	Titanium	Titanium	Titanium
Compressor type		Rotary	Rotary	Rotary	Rotary
Compressor brand		Gree	Gree	Gree	Gree
Refrigerant		R32	R32	R32	R32
Fan quantity		1	2	2	2
Fan direction		Horizontal	Horizontal	Horizontal	Horizontal
Fan speed	RPM	850	850	850	850
Fan power input	W	150	120x2	120x2	120x2
Noise level (1 m)	dB(A)	57	58	58	58
Noise level (10 m)	dB(A)	45	46	46	46
Water connection	mm	50	50	50	50
Nominal water flow	m ³ /h	6.8	7.5	7.5	9
CO2 equivalent	Tonne	0.81	1.08	1.11	1.18
Net dimensions	L/W/H mm	1115/470/870	1002/455/1250	1002/455/1250	1002/455/1250
Shipping dimensions	L/W/H mm	1220/480/880	1130/485/1270	1130/485/1270	1130/485/1270

* Provided it is correctly insulated, calculation model: min. vol 5x heating capacity (A15/W25) / max. vol 7x heating capacity (A15/W25)

Winter cover included.

Buy online at www.automatedenvironmentalsystems.co.uk

Buy online at www.automatedenvironmentalsystems.co.uk



Bypass set Universal

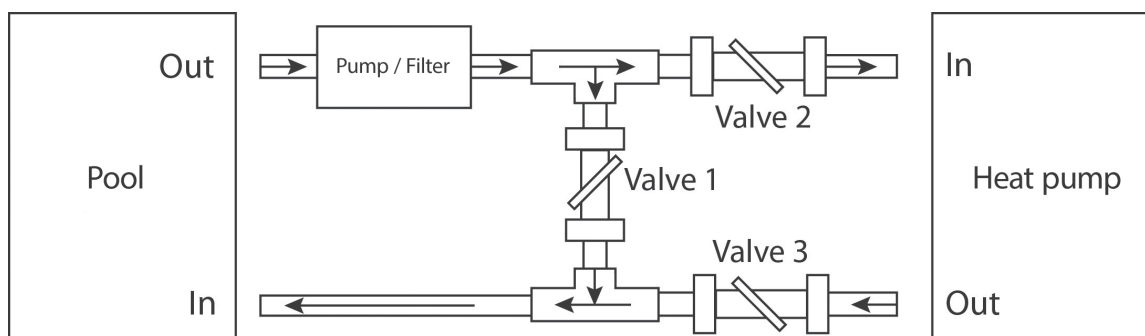
Bypass Kit for swimming pool heat pumps which allows you to control the flow of water to your heat pump. Winterise your heat pump without affecting the flow of water to your swimming pool and maintain your heat pump quickly and effectively

Content:

- 2 x PVC Elbow 90° 50mm 16bar
- 2 x PVC T-Piece 50mm 16bar
- 6 x PVC Tube 50mm 10cm 10bar
- 2 x PVC Socket 50mm 16bar
- 3 x PVC Ball valve 50 mm 16bar
- 6 x SS Hose clamp 32 x 44 mm
- 6 x ABS Hose tail white 50 x 32 mm / 38mm
- 1 x Griffon PVC glue, 0.1L
- 1 x Griffon Cleaner 125ml
- 2 x Poolhose 38mm blue with double cuffs 1.5mtr



PART NO.		PG
7009803	Bypass set Universal	IA00



Hydro-Pro Installation set heat pumps

Installation kit Hydro-Pro consists of: vibration dampers, condensate drain hose and fittings, wall mounting kit for LCD-display and extension cable (10 meters) with plugs.



PART NO.		PG
7017604	Hydro-Pro Installation set heat pumps	QA01



Hydro-Pro Winter cover

PART NO.	SUITABLE FOR	PG
7009812	Hydro-Pro 5 and Hydro-S 3&5	QA01
7009813	Hydro-Pro and Hydro-S 7&10	QA01
7009814	Hydro-Pro 13 and Hydro-S 12	QA01
7009816	Hydro-Pro 18, 22 & 26	QA01

Gridsoap with sprayer

Gridsoap is the perfect solution to clean your heat pump condenser without the need for specialist tooling and without risking damage to the fins. A clean condenser maintains optimum performance and helps prolong the lifespan of the heat pump. Furthermore, gridsoap is biologically degradable and therefore poses no environmental risks to the surrounding plants & wildlife.



PART NO.		PG
7021274	Gridsoap with sprayer	PA00

Buy online at www.automatedenvironmentalsystems.co.uk



FILTRATION

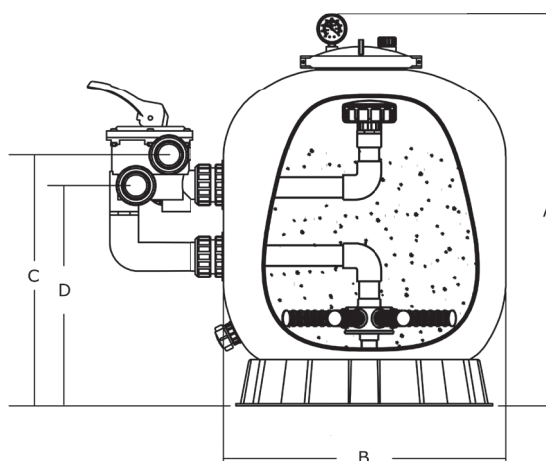
Filters

Mega S series side mount sand filter

PE lined fiberglass reinforced polyester tank with unequalled strength and durability equipped with side-mount 6-way valve.

- Made of fibreglass and polyester (DSM resin). Internal PE lining
- Top diffuser ensures even distribution of water over the top of the sand bed
- The non-corrosive materials are suitable for all-weather performance
- Easy-to-use multi-port valve lets you select any of the valves/filter operations with a simple lever-action
- With easy assembling ring-lock transparent lid (complete with spinners)
- UV resistant surface allows the filter to work under direct sunlight

Connection : metric/imperial glue socket
 Material : fibreglass reinforced polyester
 Pressure : 2,5 bar
 Max. temp. : 43°C



PART NO.	TYPE	DIAMETER mm	SIZE	MAX FLOW RATE m ³ /h	SAND kg	PG
0891905	S450R	455	50 mm / 1 1/2"	8	50	DB01
0891907	S500R	535	50 mm / 1 1/2"	12	85	DB01
0891906	S650R	635	50 mm / 1 1/2"	16	155	DB01
0891908	S700RB	710	63 mm / 2"	20	215	DB01
0891903	S800R	820	63 mm / 2"	25	355	DB01

PART NO.	A mm	B mm	B inch	C mm	D mm	WEIGHT kg	MAX. POOL VOL. m ³	FILTER AREA m ²
0891905	730	455	18	420	360	12,0	40,0	0,16
0891907	770	535	21	450	390	23,0	60,0	0,22
0891906	850	635	26	490	430	25,5	80,0	0,30
0891908	890	710	28	607	520	18,0	100,0	0,40
0891903	1050	820	31	696	560	22,0	125,0	0,50

Buy online at www.automatedenvironmentalsystems.co.uk



Buy online at www.automatedenvironmentalsystems.co.uk

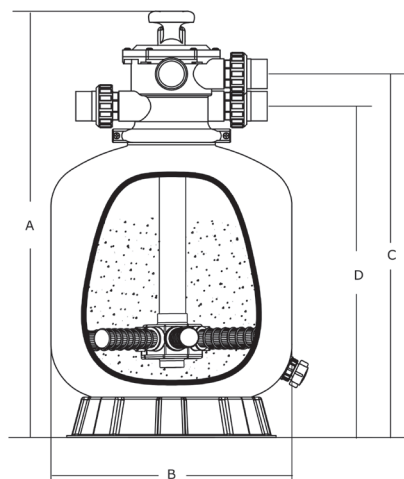
Mega V series top mount sand filter

PE lined fiberglass reinforced polyester tank with unequalled strength and durability equipped with top-mount 6-way valve.

Connection : metric/imperial glue socket
 Material : fibreglass reinforced polyester
 Pressure : 2,5 bar
 Max. temp. : 43°C



- Made of fibreglass and polyester (DSM resin). Internal PE lining
- Clamp lock is designed to allow 360 degree rotation to simplify installation
- Top diffuser ensures even distribution of water over the top of the sand bed
- Large sand/water drain for rapid winterising or servicing
- The non-corrosive materials are suitable for all-weather performance
- Easy-to-use multi-port valve lets you select any of the operations with a simple lever action
- UV resistant surface allows the filter to work under direct sunlight



PART NO.	TYPE	DIAMETER mm	SIZE	MAX FLOW RATE m ³ /h	SAND kg	PG
0891899	V350	355	50 mm / 1 1/2"	4	20	DB01
0891900	V400	400	50 mm / 1 1/2"	6	35	DB01
0891904	V450	455	50 mm / 1 1/2"	8	45	DB01
0891898	V500	535	50 mm / 1 1/2"	12	85	DB01
0891901	V650	635	50 mm / 1 1/2"	16	145	DB01
0891897	V700B	710	63 mm / 2"	20	215	DB01
0891902	V800	820	63 mm / 2"	25	355	DB01

PART NO.	A mm	B mm	B inch	C mm	D mm	WEIGHT kg	MAX. POOL VOL. m ³	FILTER AREA m ²
0891899	726	350	14	619	550	5,0	20,0	0,10
0891900	757	410	16	640	580	12,9	30,0	0,13
0891904	814	455	18	698	638	12,0	40,0	0,16
0891898	845	535	21	730	670	11,7	60,0	0,22
0891901	950	635	26	835	775	15,0	80,0	0,30
0891897	1092	710	28	960	877	21,0	100,0	0,40
0891902	1200	800	31	1085	1002	28,7	125,0	0,50

FILTRATION

Filters

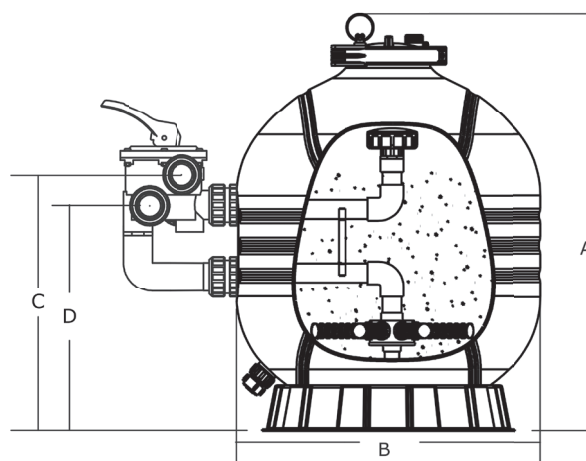
Mega+ MFS side mount sand filter

Made of premium grade high density polyethylene. The Mega line offers heavy duty operation and sustains a high working temperature. Only first class virgin high density polyethylene raw materials made by Phillips Chemicals are used in the production of our filters. The unique twist lock is designed for ease of servicing and maintenance of the filter.

- Compact and heavy duty
- Made of high density polyethylene
- Designed for most domestic swimming pools or spa pools
- Easy-to-use bayonet-locked multi-port valve lets you select any of the valve/filter operations with a simple lever-action

Connection : metric/imperial glue socket
 Material : HDPE
 Pressure : 2,5 bar
 Max. temp. : 50°C

Buy online at www.automatedenvironmentalsystems.co.uk



PART NO.	TYPE	DIAMETER mm	SIZE	MAX FLOW RATE m ³ /h	SAND kg	PG
0182223	MFS17	425	50 mm / 1 1/2"	7.5	40	DB01
0182224	MFS20	500	50 mm / 1 1/2"	10.5	70	DB01
0182225	MFS24	600	50 mm / 1 1/2"	14.3	125	DB01
0182226	MFS27	675	63 mm / 2"	20.3	185	DB01
0182227	MFS31	775	63 mm / 2"	24.7	320	DB01
0182228	MFS35	875	63 mm / 2"	30.9	430	DB01

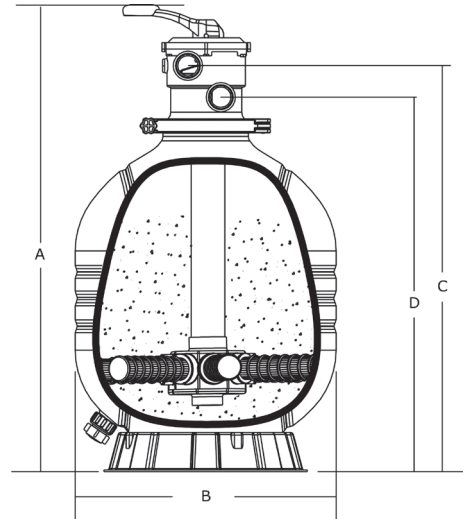
PART NO.	A mm	B mm	B inch	C mm	D mm	WEIGHT kg	MAX. POOL VOL. m ³	FILTER AREA m ²
0182223	670	425	17	417,5	354,5	11,2	37,5	0,14
0182224	760	500	20	459,3	396,3	13,0	52,5	0,20
0182225	825	600	24	492,5	429,5	18,0	71,5	0,28
0182226	946	675	27	613,5	527,5	24,3	101,5	0,36
0182227	968	775	31	639	553	38,8	123,5	0,47
0182228	1086	875	35	695	609	43,8	154,5	0,61

Mega+ MFV top mount sand filter

Made of premium grade high density polyethylene. The Mega line offers heavy duty operation and sustains a high working temperature. Only first class virgin high density polyethylene raw materials made by Phillips Chemicals are used in the production of our filters. The unique twist lock is designed for ease of servicing and maintenance of the filter.

Connection : metric/imperial glue socket
 Material : HDPE
 Pressure : 2,5 bar
 Max. temp. : 50°C

- Compact and heavy duty
- Made of high density polyethylene
- Designed for most domestic swimming pools or spa pools
- Valve lock is designed to allow 360 degree rotation to simplify installation
- Easy-to-use bayonet-locked multi-port valve lets you select any of the valve/filter operations with a simple lever-action



PART NO.	TYPE	DIAMETER mm	SIZE	MAX FLOW RATE m ³ /h	SAND kg	PG
0182217	MFV17	425	50 mm / 1 1/2"	7.5	40	DB01
0182218	MFV20	500	50 mm / 1 1/2"	10.5	70	DB01
0182219	MFV24	600	50 mm / 1 1/2"	14.3	125	DB01
0182220	MFV27	675	63 mm / 2"	20.3	185	DB01
0182221	MFV31	775	63 mm / 2"	24.7	320	DB01

PART NO.	A mm	B mm	B inch	C mm	D mm	WEIGHT kg	MAX. POOL VOL. m ³	FILTER AREA m ²
0182217	816	425	17	695	635	11,0	37,5	0,14
0182218	889	500	20	772	712	12,8	52,5	0,20
0182219	980	600	24	860	800	20,0	71,5	0,28
0182220	1133	675	27	976	910	20,6	101,5	0,36
0182221	1178	775	31	1021	955	38,8	123,5	0,47

Buy online at www.automatedenvironmentalsystems.co.uk



Mega Pool filter set type FSF

PE lined fibreglass reinforced polyester tank with unequalled strength and durability. Equipped with top mount 6-way valve and centrifugal pump with pre-filter.

Connection : metric/imperial glue socket

Material : polyester

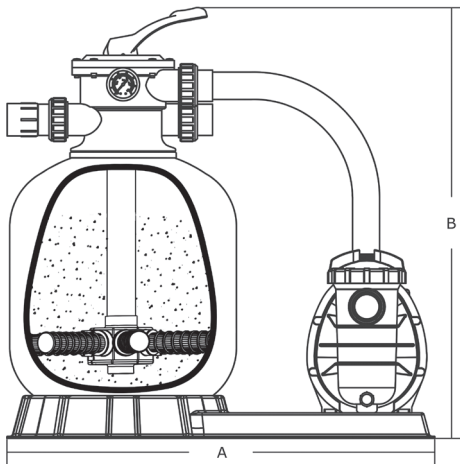
Colour : grey

Voltage : 230V

Pressure : 2,5 bar

Features:

- Designed for domestic pools
- Simple operation with 6-way multi-port valve
- Equipped with RCD differential plug (30mA)



Buy online at www.automatedenvironmentalsystems.co.uk

PART NO.	TYPE	SIZE	PUMP	DIAMETER mm	SAND kg	PG
0892594	FSF350-6W	50 mm / 1 1/2"	SS033	335	20	DB01
0892595	FSF400-6W	50 mm / 1 1/2"	SS050	410	35	DB01
0892596	FSF450-6W	50 mm / 1 1/2"	SS075	455	45	DB01
0892597	FSF500-6W	50 mm / 1 1/2"	SC075	535	85	DB01

PART NO.	A mm	B mm	WEIGHT kg	MAX FLOW RATE m ³ /h	MAX. POOL VOL. m ³
0892594	555	680	11,8	4	20,0
0892595	760	759	23,0	6	30,0
0892596	760	813	26,1	8	40,0
0892597	760	856	32,5	12	60,0

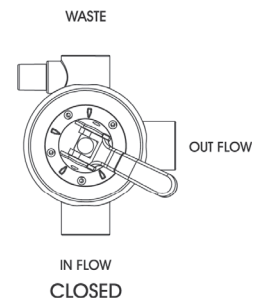
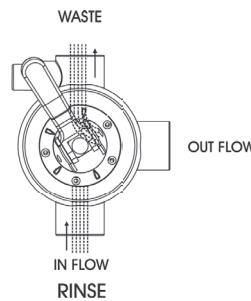
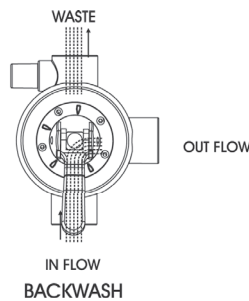
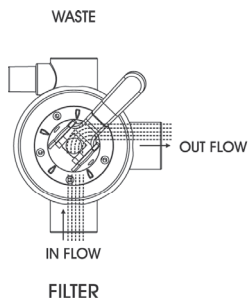
FILTRATION

Filter accessories



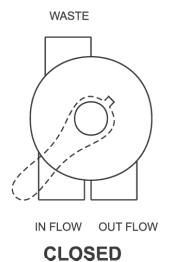
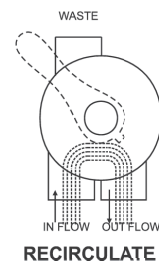
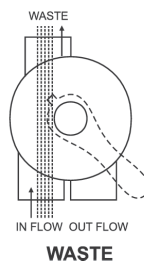
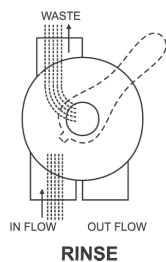
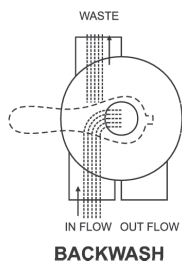
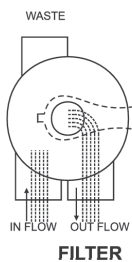
Multiport valve for top mount filter

PART NO.	TYPE	SIZE	PG
0891914	Mega 4-way clamp valve	1 1/2"	DB01
0891918	Mega 6-way clamp valve	1 1/2"	DB01
0891919	Mega 6-way bolt valve, PCD 230mm	2"	DB01
0892725	Mega MFV 6-way clamp valve	1 1/2"	DB01
0892726	Mega MFV 6-way clamp valve	2"	DB01



Multiport valve for side mount filter

PART NO.	TYPE	SIZE	PG
7012634	Mega SMG 6-way valve + piping kit	1 1/2"	DB01
7012635	Mega SMG 6-way valve + piping kit	2"	DB01
7010844	Mega MFS 6-way valve + piping kit	1 1/2"	DB01
7010845	Mega MFS 6-way valve + piping kit	2"	DB01
0891915	Mega 6-way valve + piping kit	1 1/2"	DB01
0891916	Mega 6-way valve + piping kit	2"	DB01



Buy online at www.automatedenvironmentalsystems.co.uk



AES

Automated Environmental Systems

Automated Environmental Systems Ltd.

📍 1 Wimbledon Avenue
Brandon
Suffolk
IP27 0ND

☎ +44 (0)1842 819130

✉ sales@automatedenvironmentalsystems.co.uk
🌐 www.automatedenvironmentalsystems.co.uk



01842 819130

For latest prices and availability
www.automatedenvironmentalsystems.co.uk