

HIGHLIGHTS & FEATURES

- Low Input Capacitance
- 25 MHz to 250 MHz Bandwidth
- Two Models up to 10 kV RMS
- Compact Built
- 50 Ω Output
- 1:1000 Ratio

APPLICATIONS

High frequency plasma research, high power RF transmitters, and high voltage RF pulse generators are a few possible applications for the RFP250 series probes.

FEATURES

The RFP250 series high voltage probes are capacitive dividers designed to cover the 25 MHz to 250 MHz frequency range and voltages of up to 10 kV RMS. The output impedance is 50 Ω and they are very compact allowing mounting in tight spaces.

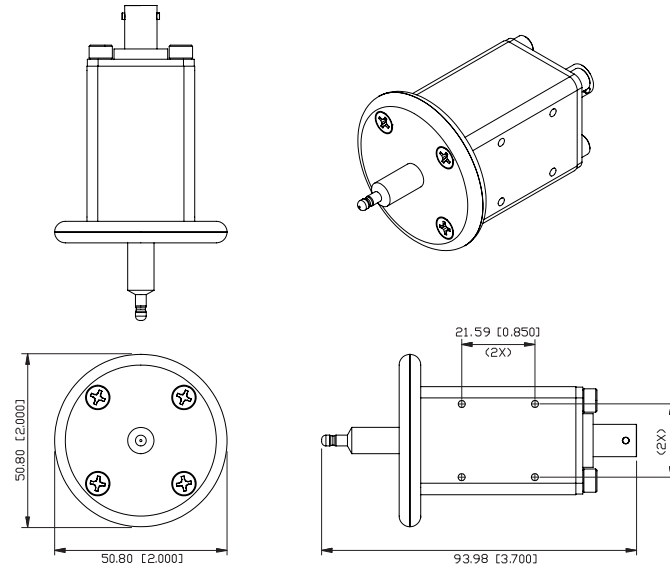
GENERAL SPECIFICATIONS AND CHARACTERISTICS

INPUT	RFP250-5	RFP250-10
Input Voltage RMS	5 kV	10 kV
Input Voltage Peak	7.5 kV	15 kV
Bandwidth	25 MHz - 250MHz	
Division Ratio	1:1000	
Input Capacitance	0.8 pF	0.6 pF
OUTPUT		
Output Voltage	5 V	10 V
Output Impedance	50 Ω	
Accuracy	5%	
MECHANICAL		
Case	Aluminum	
Dimensions (L x W x D)	3.700" x 2.000" x 2.000" (93.98 mm x 50.8 mm x 50.8 mm)	
Unit Weight	1 lbs (0.454 kg)	
Cooling System	Convection	
Output Connector	50Ω BNC	
ENVIRONMENT		
Operating Temperature	-40° C to +85° C	
Storage Temperature	-55° C to +100° C	

Notes

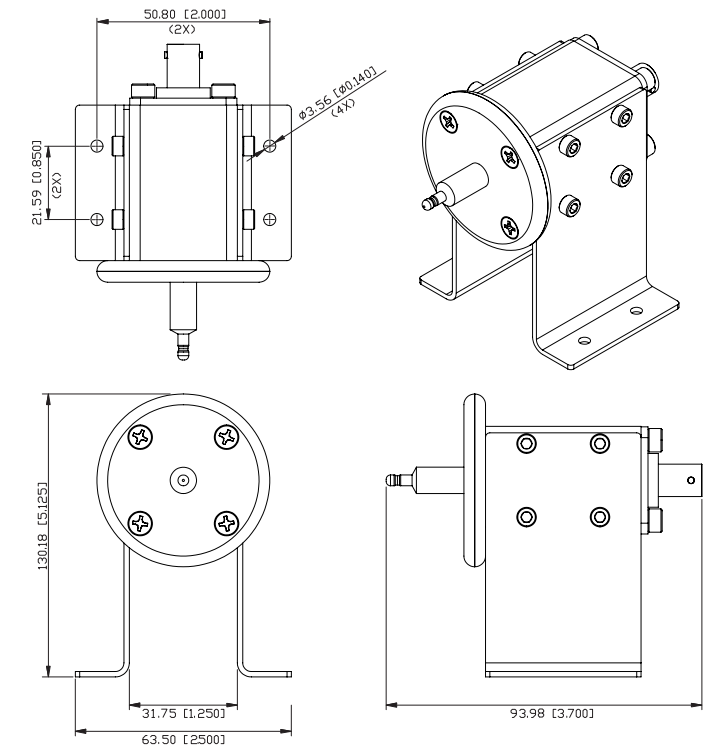
- 1) At 25°C ambient temperature horizontal mounting orientation.
- 2) All parameters are specified at 25°C ambient temperature unless otherwise indicated.
- 3) All information and specifications contained within this publication may change without notice.

MECHANICAL DRAWINGS



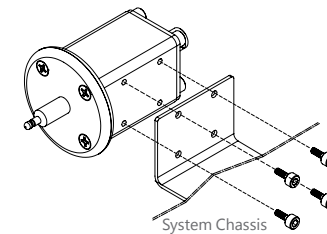
Note: Units are - mm [in]

Probe with Mounting Flange

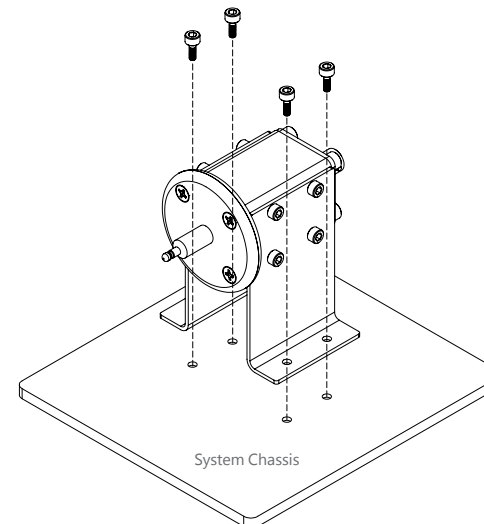


SYSTEM MOUNTING

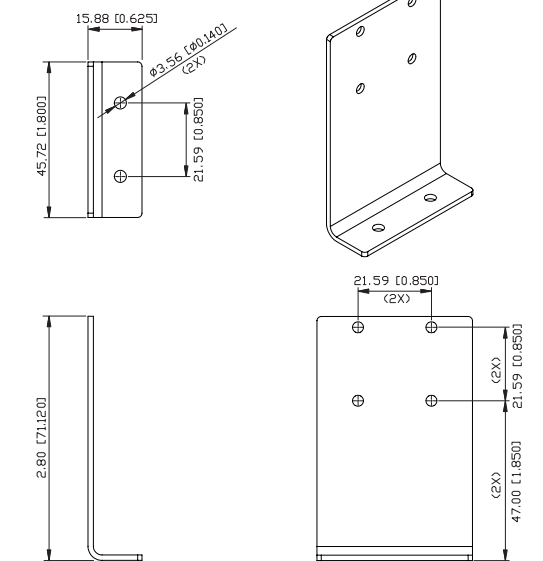
Custom Mounting



Flange Mounting



Mounting Flange



Note: Units are - mm [in]