

LUMEN 550 Range. FULLY DIMMABLE, 6.2W LED LIGHT ENGINE



ARIES



PLUTON



HELIOS



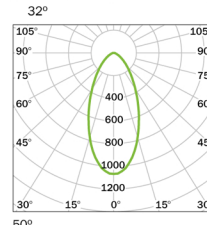
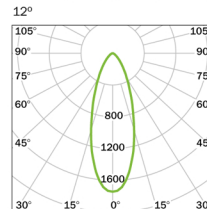
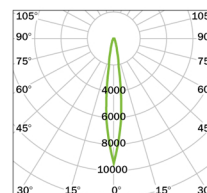
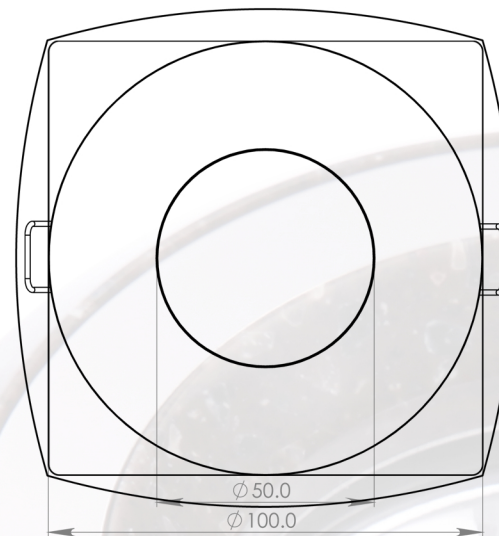
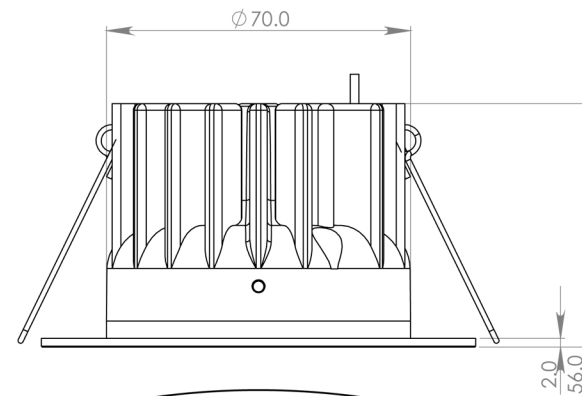
AQUARIO



SOLA



LUA



Finishes	Polished 316 / Brushed / White / Gold / Custom		
Lens Options	12° / 32° / 50° Clear or Diffused		
Light Output Comparable to	35w MR16 Dichroic / 50w GU10		
LED Power Consumption	6.2w		
Luminaire Consumption	7w		
LED Lumen Output	546Lm @ 3000k		
Minimum CRI Level	Ra 83		
Actual Delivered Lumens @	12°	32°	50°
2700k	442Lm	421Lm	421Lm
3000k	470Lm	448Lm	448Lm
4000k	500Lm	477Lm	477Lm
6500k	573Lm*		
Lifespan > 70% Output	50,000Hrs		
Luminaire Forward Voltage	9.3Fv Typical - Max 10.5Fv		
Constant Current	700m/a		
Lumens P/W Efficacy @	64.4Lm / 68.5Lm / 69.7Lm/cW		
2700k / 3000k / 4000k			
Compatible Voltage supply	24v DC / 120v - 240v AC with LED Driver		
Lumen Maintenance Category	Cree LEDs Cat 1 / Code 9		

*Subject to MOQ

The LUMEN 550, Fully Dimmable 6.2w LED Light Engine with 7 LED Cluster. Available with six different bezel options and three beam angle options. The Lumen 550 is a step up from the 525 light engine and boasts an average efficacy ratio of 68.5Lm per Watt. The 550 range come fully barcoded from our factory so we know exactly what finish and colour temperature you receive. Future replacements can then be matched exactly without colour temperature discrepancies. The LUMEN 550 Range also comes complete with a 5 year warranty. Please inquire for custom sizes, finishes and concept designs.