



eran industrial.

THE **RLC SERIES.**

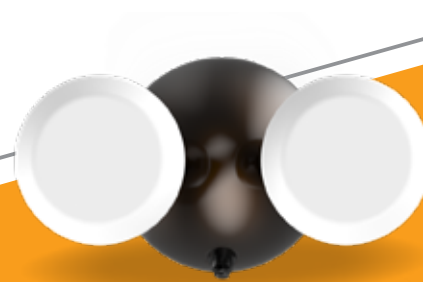
NEW 2018 RESIDENTIAL AND LITE COMMERCIAL LINE



CELESTIAL



NORTHSTAR



DYAD










BEACON



SELENE

THE **RLC SERIES.**

	12W	CELESTIAL
	12W	NORTHSTAR
	12W	DYAD
  	20W	BEACON
	12W 20W	SELENE



**WE CONTINUE TO
BRING ADVANCED
LED TECHNOLOGY
TO THE LIGHTING
INDUSTRY.**

THE **CELESTIAL.**

PRODUCT OVERVIEW



DURABLE HOUSING

Impact-resistant polycarbonate housing and lens

DUSK TO DAWN

Night time ON / Day time OFF
Photocell with optional cover

GLARE-FREE

Frosted lens for an inviting
and even light distribution

HANDS-FREE INSTALL

Hooking wire included to allow hands-free installation

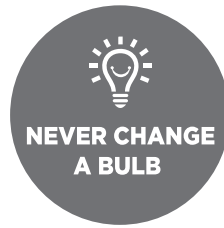
MAINTENANCE-FREE

Premium LEDs lasting over 50,000 hours



THE **NORTHSTAR.**

PRODUCT OVERVIEW



HANDS-FREE INSTALL

Universal mounting plate with integral wire hook for easy hands free installation

STRONG HOUSING

Impact & weather resistant
UV-stabilized polycarbonate housing

DUSK TO DAWN

Night time ON / Day time OFF

GLARE-FREE LENS

Frosted lens for an inviting
and even light distribution

MAINTENANCE-FREE

Premium LEDs lasting over 50,000 hours



THE **DYAD.**

PRODUCT OVERVIEW



HANDS-FREE INSTALL

Universal mounting plate with integral wire hook for easy hands free installation

STRONG HOUSING

Impact & weather resistant
UV-stabilized polycarbonate housing

DUSK TO DAWN

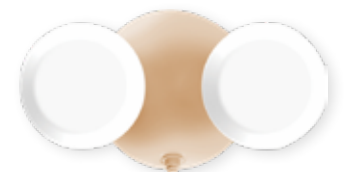
Night time ON / Day time OFF

GLARE-FREE LENS

Frosted lens for an inviting
and even light distribution

MAINTENANCE-FREE

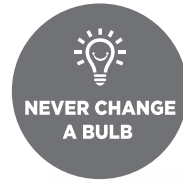
Premium LEDs lasting over 50,000 hours





THE BEACON.

PRODUCT OVERVIEW



HANDS-FREE INSTALL

Universal mounting plate with integral wire hook for easy hands free installation

STRONG HOUSING

Impact & weather resistant
Aluminum Extrusion

HALO EFFECT END-CAPS

Stunning, frosted PC end-caps provides a unique "halo-ring" lighting effect that in addition to aesthetics beauty, provide forward-throw lighting for added security & illumination

V-SHAPED BEAM OPTICS

Down and/or Up & Down lighting is gently splashed on the wall for an attractive soft V-shaped beam spread

MAINTENANCE-FREE

Premium LEDs lasting over 50,000 hours



THE **SELENE.**

PRODUCT OVERVIEW



DURABLE HOUSING

Impact-resistant polycarbonate housing and lens

GLARE-FREE

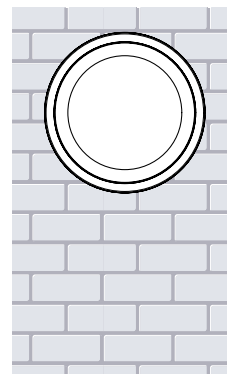
Frosted lens for an inviting and even light distribution

HANDS-FREE INSTALL

Hooking wire included to allow hands-free installation

MAINTENANCE-FREE

Premium LEDs lasting over 50,000 hours



Wall Mount



Ceiling Mount



THE **RLC SERIES.**

PRODUCT SPECIFICATIONS



CELESTIAL

12W



NORTHSTAR

12W



DYAD

12W



UP & DOWN
LIGHT



BEACON

20W



DOWN
LIGHT



SELENE

12W
20W

SPECIFICATION & VARIATIONS

Sample

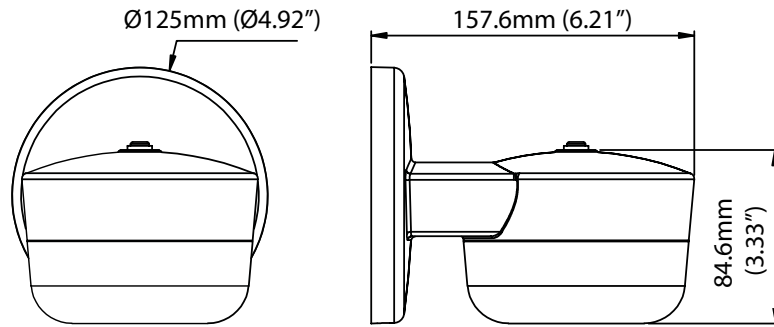
CEL-12W-40K-V1-D-PC-BZ

BODY TYPE	SYSTEM WATTAGE	CCT	VOLTAGE	DIMMING OPTION	ELECTRICAL (PHOTOCELL)	HOUSING FINISH
CEL -	12W -	40K -	V1 -	D -	PC -	BZ -
CELESTIAL	12W	30K = 3000K 40K = 4000K 50K = 5000K	V1 = 120V	D = Dimming N = Non-Dimming	PC = Photocell NA = None	BZ = Bronze WH = White BK = Black SL = Silver GR = Grey CH = Champagne
NORTHSTAR	12W					
DYD	12W					
BEACON	20W					
SELENE	12W 20W					

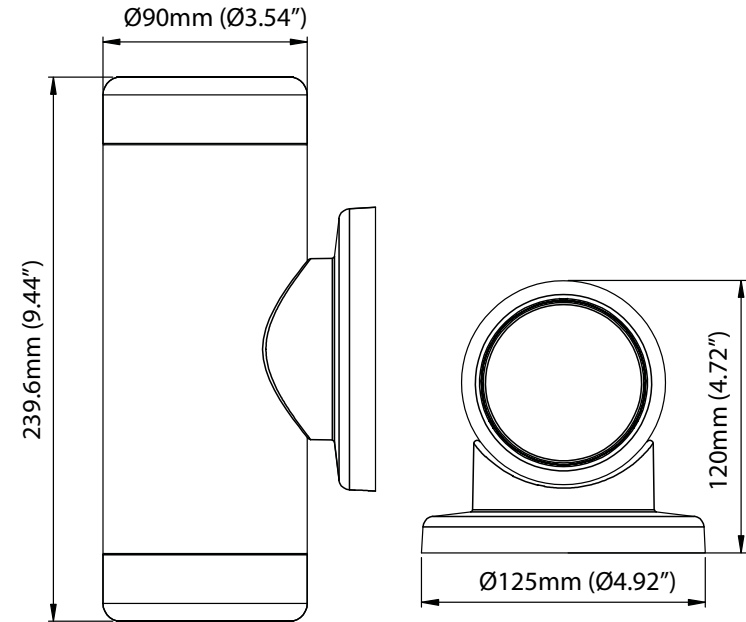
BUILD YOUR ORDER SKU NUMBER - If you don't see a specific feature listed above, please contact your regional sales representative for details about custom made to order (MTO) luminaires.

THE RLC SERIES.

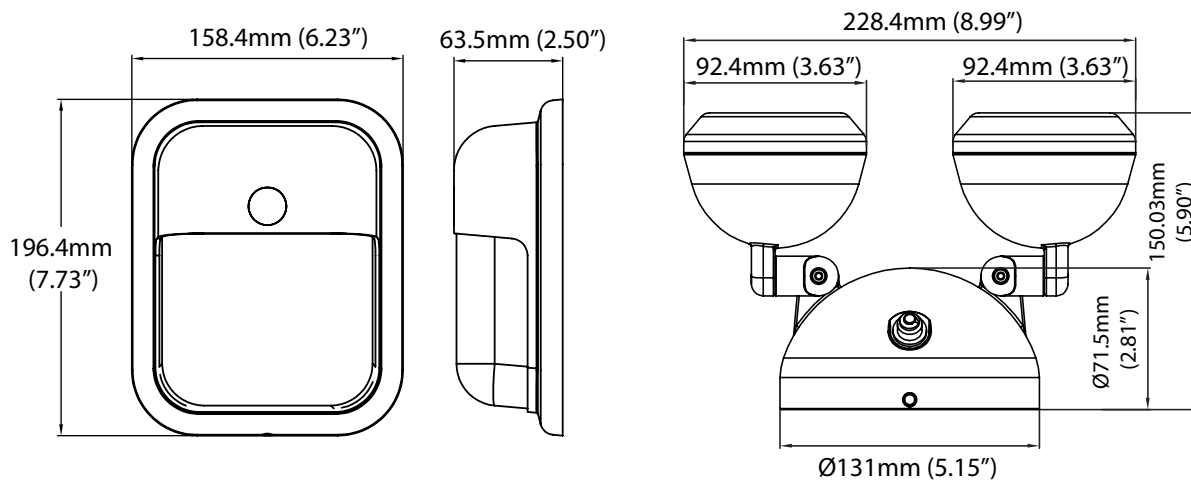
LINE DRAWINGS



NORTHSTAR

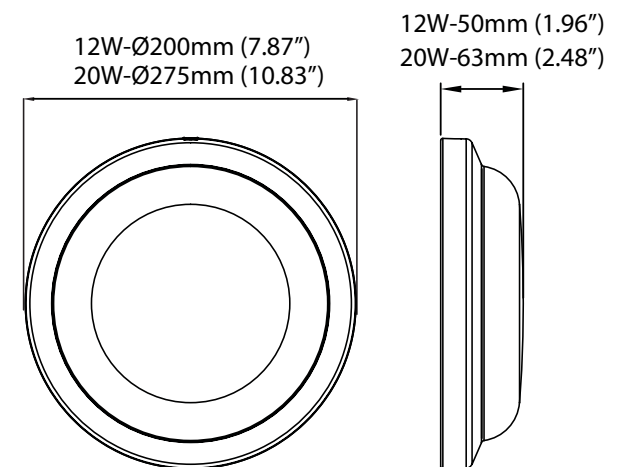


BEACON



CELESTIAL

DYAD



SELENE

PRODUCT SUMMARY

LED Chip:	EVERLIGHT 2835 chip and YG® driver technology	LED Chip:	EVERLIGHT 2835 chip and YG® driver technology	LED Chip:	SAMSUNG LED chip and YG® driver technology
CRI:	≥80	CRI:	≥80	CRI:	≥80
Warranty:	Warranty: 5 Years (terms and conditions apply).	Warranty:	Warranty: 5 Years (terms and conditions apply).	Warranty:	Warranty: 5 Years (terms and conditions apply).
Ambient Operating Range:	-30°C to -40°C	Ambient Operating Range:	-30°C to -40°C	Ambient Operating Range:	-30°C to -40°C
Rated Life:	More than 100K hours per L70 TM-21 @ 70 °C	Rated Life:	More than 100K hours per L70 TM-21 @ 70 °C	Rated Life:	More than 100K hours per L70 TM-21 @ 70 °C
Dimensions:	CELESTIAL-6.23"x7.73"x2.50"	Dimensions:	NORTHSTAR-6.21"x3.33"x4.92"	Dimensions:	SELENE-7.87"x1.96
Weight:	CELESTIAL-1.21 lbs	Weight:	NORTHSTAR-0.99 lbs	Weight:	SELENE-1.21 lbs
Application:	Ideal for Commercial Office, Residential spaces	Application:	Ideal for Commercial Office, Residential spaces	Application:	Ideal for Commercial Office, Residential spaces

LED Chip:	EVERLIGHT 2835 chip and YG® driver technology
CRI:	≥80
Warranty:	Warranty: 5 Years (terms and conditions apply).
Ambient Operating Range:	-30°C to -40°C
Rated Life:	More than 100K hours per L70 TM-21 @ 70 °C
Dimensions:	DYAD-8.99"x5.15"x5.90"
Weight:	DYAD-1.32 lbs
Application:	Ideal for Commercial Office, Residential spaces

LED Chip:	SAMSUNG LED chip and YG® driver technology
CRI:	≥80
Warranty:	Warranty: 5 Years (terms and conditions apply).
Ambient Operating Range:	-30°C to -40°C
Rated Life:	More than 100K hours per L70 TM-21 @ 70 °C
Dimensions:	BEACON-9.44"x4.92"x3.54"
Weight:	BEACON-1.98 lbs
Application:	Ideal for Commercial Office, Residential spaces

THE RLC SERIES.

PRODUCT SPECIFICATIONS



CELESTIAL	CCT	SYSTEM WATTAGE	LED WATTAGE	LUMENS (LMS)	LUMENS PER WATT	ELECTRICAL (PHOTOCELL)	REPLACES (MH)	CRI	VOLTAGE
	30K	12W	10W	1000	83	PC	70W	≥80	120

NORTHSTAR	CCT	SYSTEM WATTAGE	LED WATTAGE	LUMENS (LMS)	LUMENS PER WATT	ELECTRICAL (PHOTOCELL)	REPLACES (INC)	CRI	VOLTAGE
	30K	12W	10W	900	75	PC	70W	≥80	120

DYAD	CCT	SYSTEM WATTAGE	LED WATTAGE	LUMENS (LMS)	LUMENS PER WATT	REPLACES (HALOGEN)	ELECTRICAL (PHOTOCELL)	CRI	VOLTAGE
	30K	12W	10W	1200	100	75W	PC	≥80	120

BEACON	CCT	SYSTEM WATTAGE	LED WATTAGE	LUMENS (LMS)	LUMENS PER WATT	REPLACES (INC)	CRI	VOLTAGE
	30K	20W	18W	1200	70	100W	≥80	120

SELENE	CCT	SYSTEM WATTAGE	LED WATTAGE	LUMENS (LMS)	LUMENS PER WATT	REPLACES (INC)	CRI	VOLTAGE
	30K	12W	10W	900	75	75W	≥80	120
	30K	20W	18W	1800	75	150W	≥80	120









Ready to Order or have any questions?

Contact us for any additional information, such as IES documentation and lighting specification Sheets, or please visit us online at: www.eranindustrial.com

 **Office**
1.844.411.LITE

 **Sales**
sales@eranindustrial.com

Office Location.



USA Office
3500 NW 2nd Avenue,
Ste 717 Boca Raton,
Florida 33431



CHINA Headquarters
17/F Guangbo Mansion
#1357 Yinxian Avenue
Yinzhou District
Ningbo, China 315100



eran industrial.